



US00D476880S

(12) **United States Design Patent**  
**Segall**

(10) **Patent No.:** **US D476,880 S**

(45) **Date of Patent:** **\*\* Jul. 8, 2003**

(54) **CORNER CONNECTOR**

(75) Inventor: **Paul M. Segall**, El Paso, TX (US)

(73) Assignee: **La-La Imports LP**, El Paso, TX (US)

(\*\*) Term: **14 Years**

(21) Appl. No.: **29/170,542**

(22) Filed: **Nov. 7, 2002**

**Related U.S. Application Data**

(62) Division of application No. 29/160,963, filed on May 20, 2002.

(51) **LOC (7) Cl.** ..... **08-08**

(52) **U.S. Cl.** ..... **D8/382**

(58) **Field of Search** ..... D8/382; D23/262,  
D23/266; 403/170, 171, 176, 205, 217-219,  
298, DIG. 10

(56) **References Cited**

**U.S. PATENT DOCUMENTS**

1,818,172 A	8/1931	Sutherland
2,679,911 A	6/1954	Bhend
2,839,320 A	6/1958	Hill
3,074,203 A	1/1963	Paksy
3,218,097 A	11/1965	Bowers et al.
3,515,417 A	6/1970	Bowman
3,645,569 A	2/1972	Reilly
3,873,219 A	3/1975	Pofferi
3,883,257 A	5/1975	Delafield
3,932,048 A	1/1976	DuPont
4,157,801 A	6/1979	Elmer
4,242,969 A	1/1981	Checkwood et al.
4,516,376 A	5/1985	King
4,569,165 A	2/1986	Baker et al.
4,636,106 A	1/1987	Waisbrod
4,754,712 A	7/1988	Olson et al.
4,852,501 A	8/1989	Olson et al.

D303,457 S	9/1989	Stewart
4,905,443 A	3/1990	Sutcliffe et al.
5,059,057 A	10/1991	Graef
D355,589 S	2/1995	Kuwata
5,454,661 A	10/1995	Litvin et al.
5,499,882 A	3/1996	Waterhouse
D381,573 S	7/1997	Sabounjian
5,984,567 A	11/1999	Gollin et al.
D427,895 S	7/2000	Morton
6,341,916 B1	1/2002	Nettis et al.

**FOREIGN PATENT DOCUMENTS**

GB	2 219 060 A	11/1989
WO	WO 91/19575	12/1991

*Primary Examiner*—Alan P. Douglas

*Assistant Examiner*—Clare E. Heflin

(74) *Attorney, Agent, or Firm*—Fitch, Even, Tabin, & Flannery

(57) **CLAIM**

The ornamental design for a corner connector, as shown and described.

**DESCRIPTION**

FIG. 1 is a perspective view showing an embodiment of my new design, comprising a corner connector;  
FIG. 2 is a top plan view thereof;  
FIG. 3 is a left side elevational view thereof;  
FIG. 4 is a right side elevational view thereof;  
FIG. 5 is a perspective view showing another embodiment of my new design, comprising a corner connector;  
FIG. 6 is a top plan view thereof;  
FIG. 7 is a left side elevational view thereof; and,  
FIG. 8 is a right side elevational view thereof.  
Portions of the corner connectors are shown in broken lines in FIGS. 1-8 for illustrative purposes only and form no part of the claimed design.

**1 Claim, 4 Drawing Sheets**

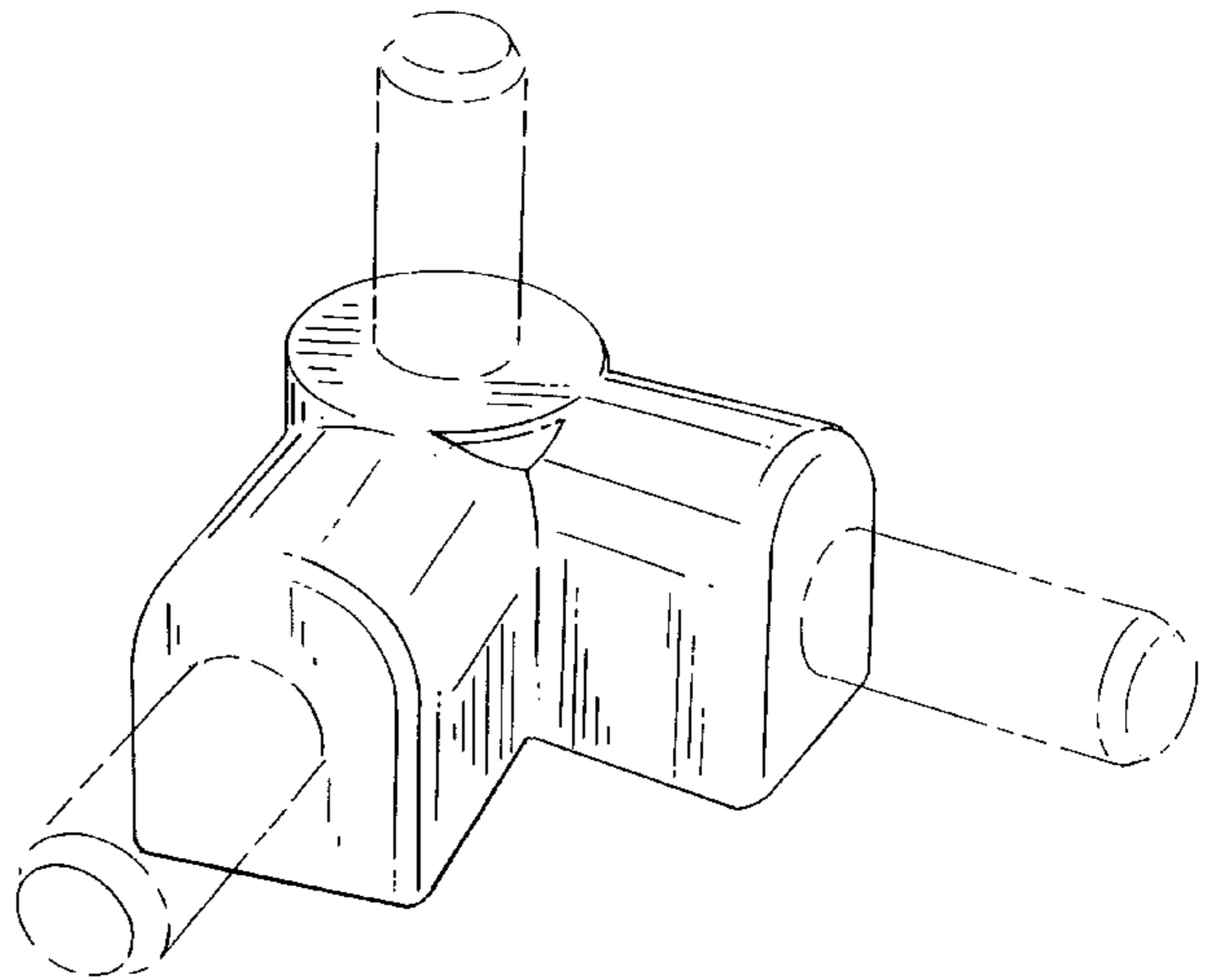
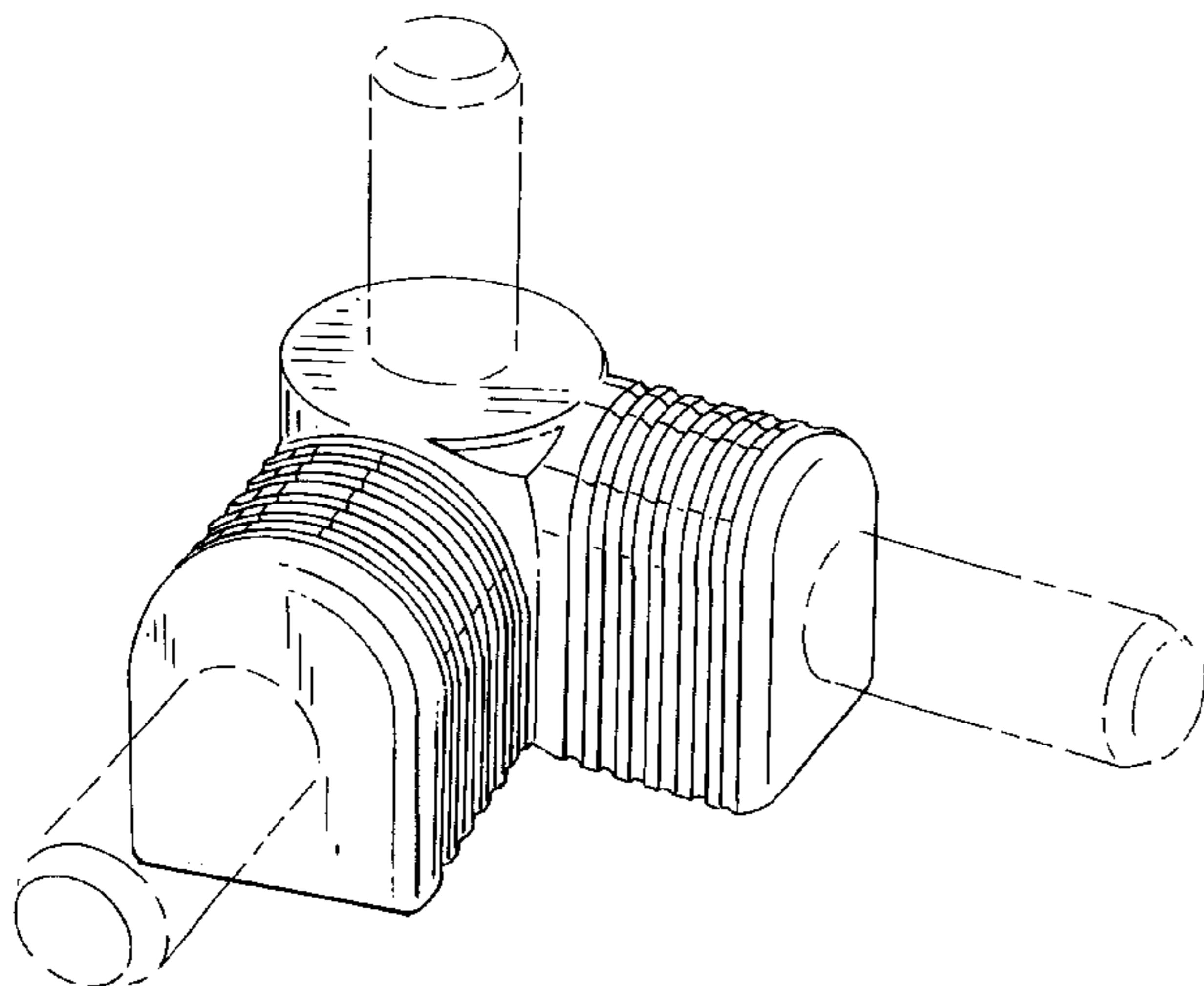


FIG. 1

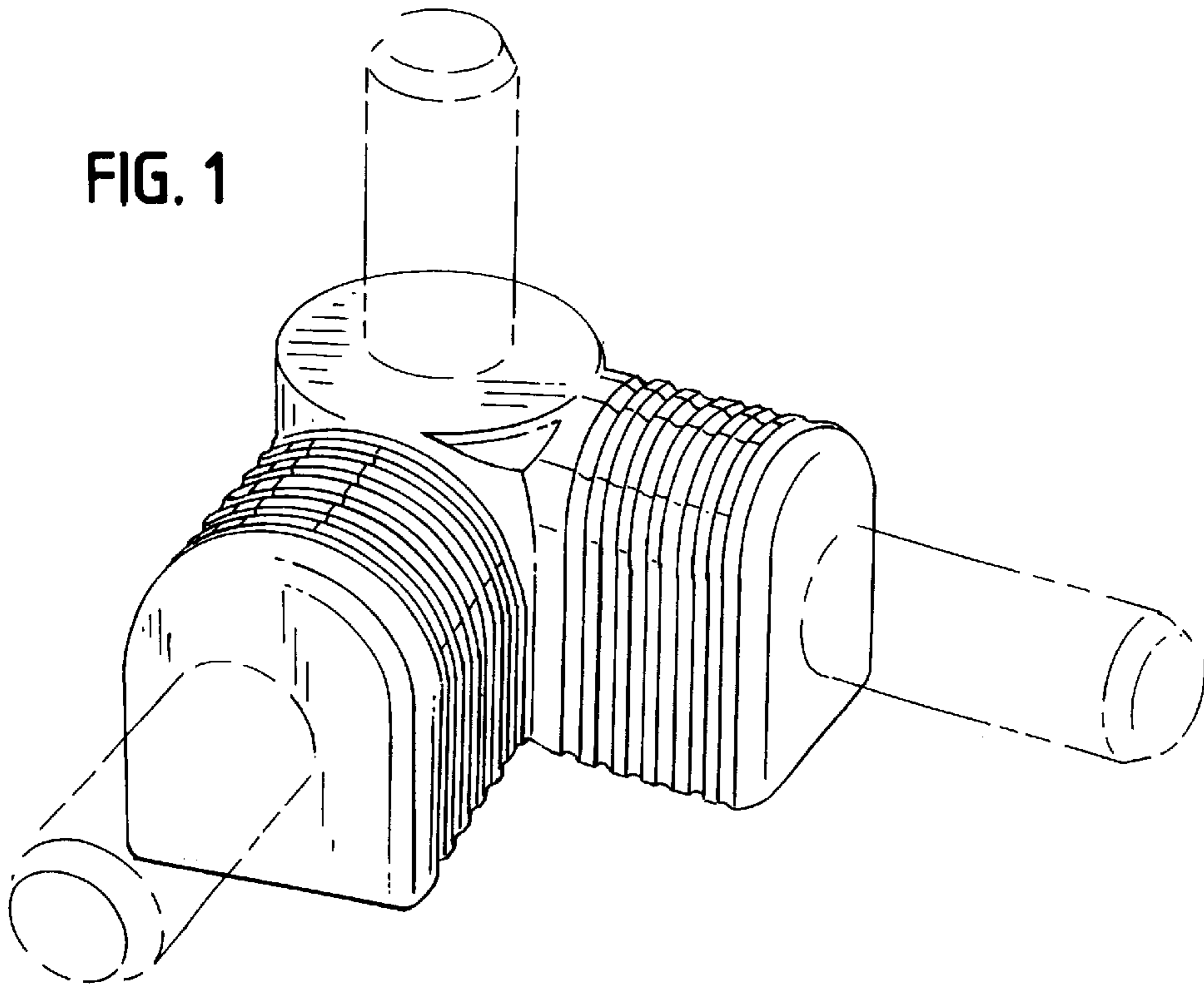


FIG. 2

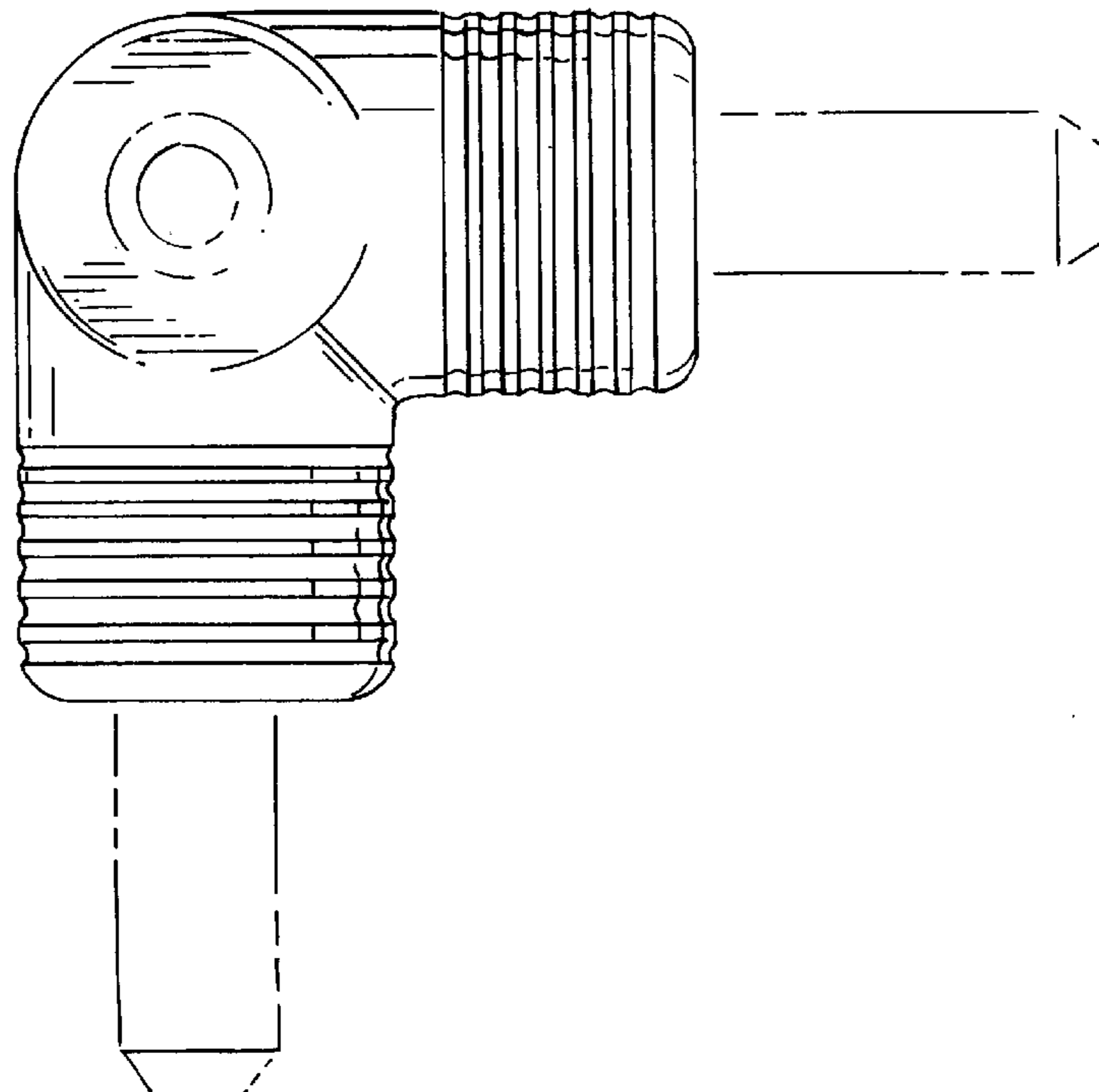


FIG. 3

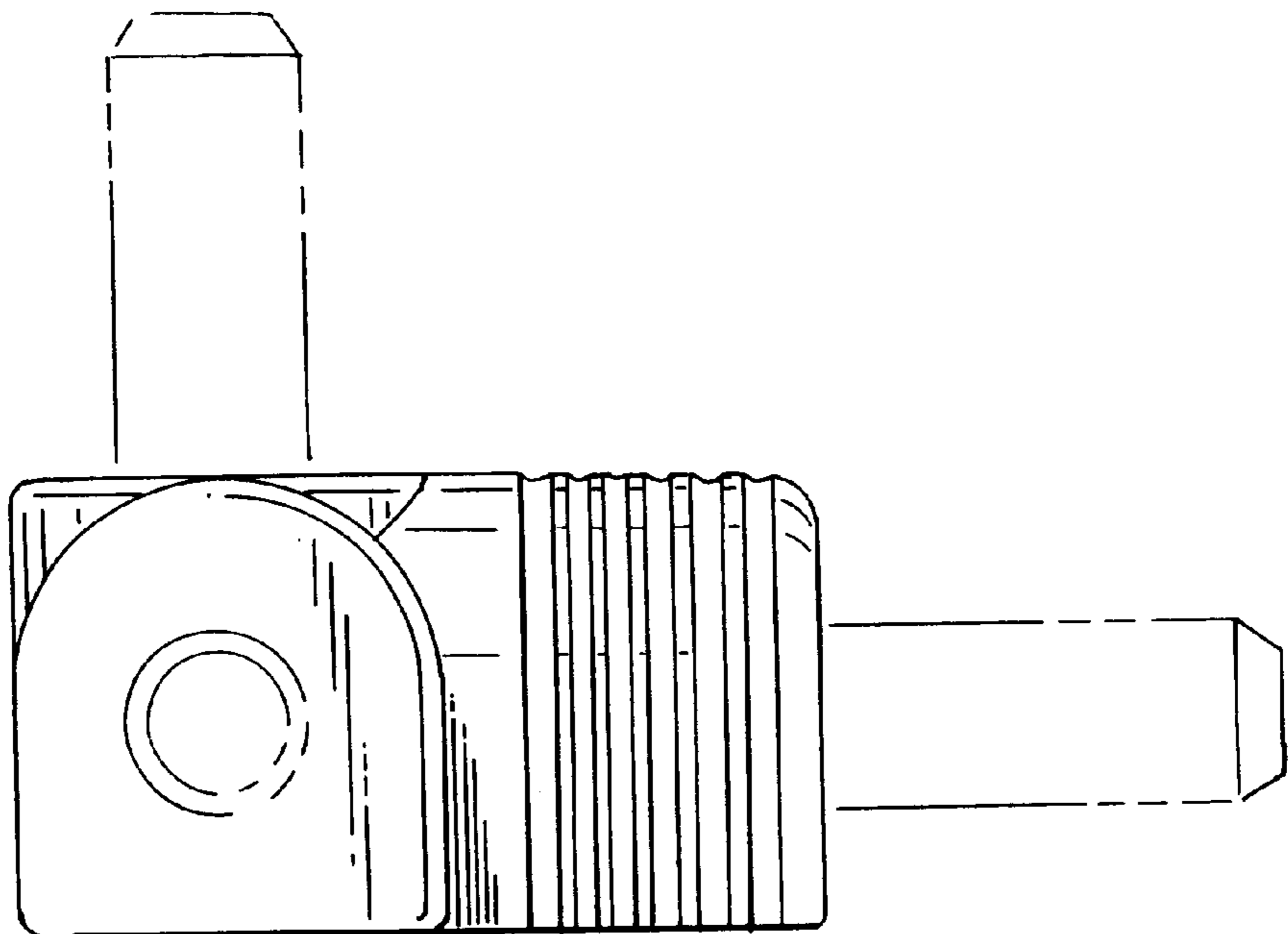


FIG. 4

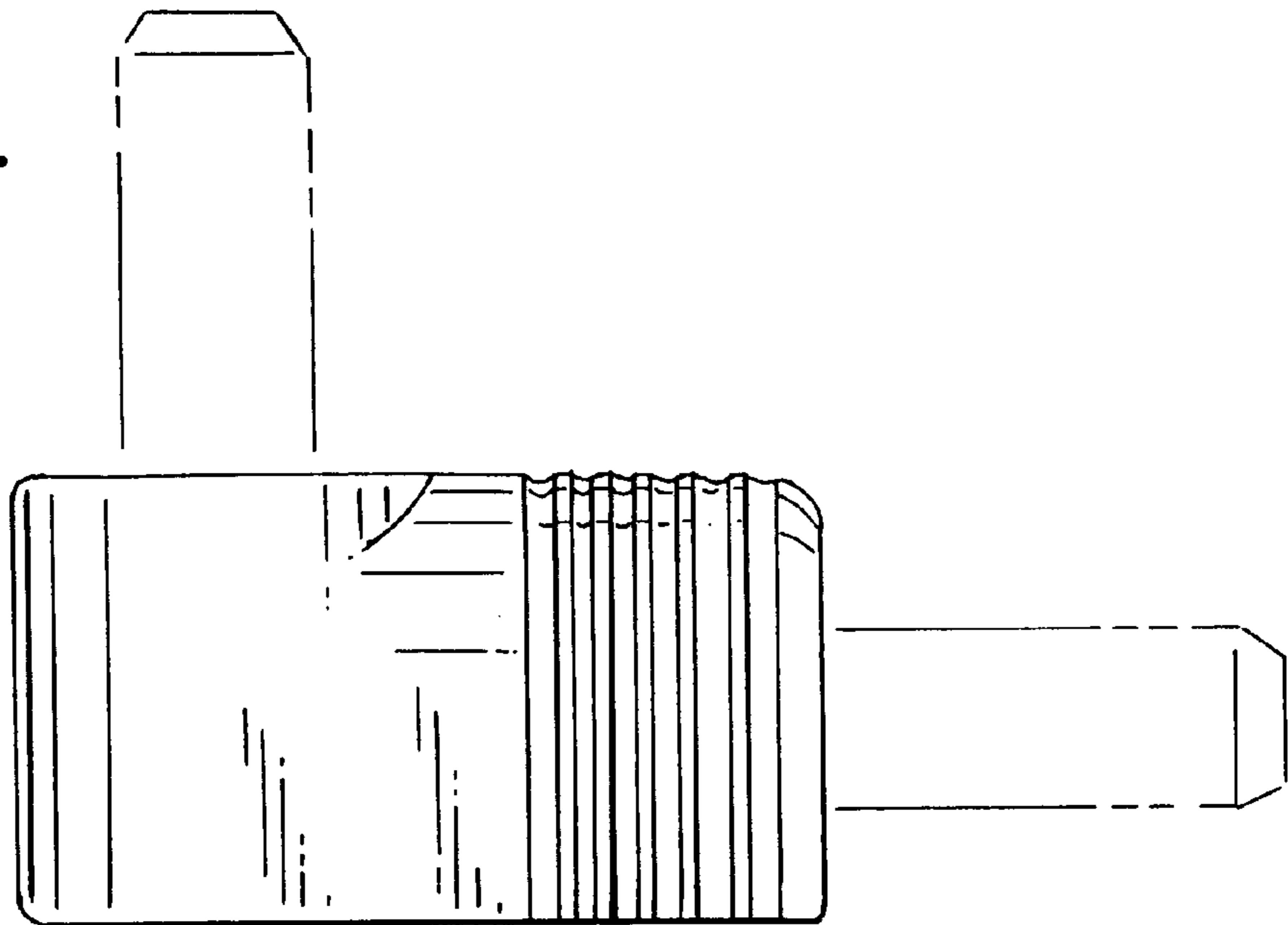


FIG. 5

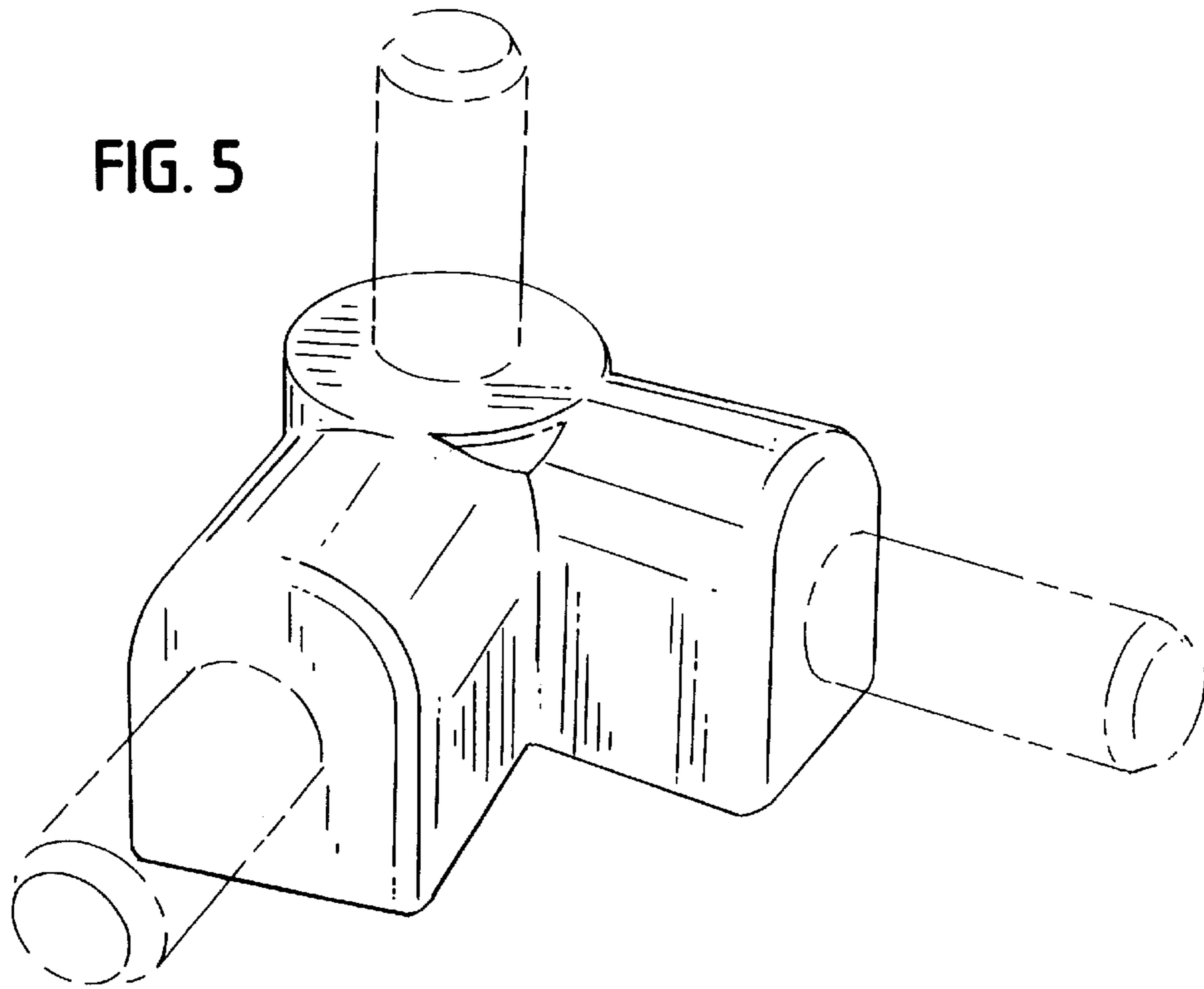


FIG. 6

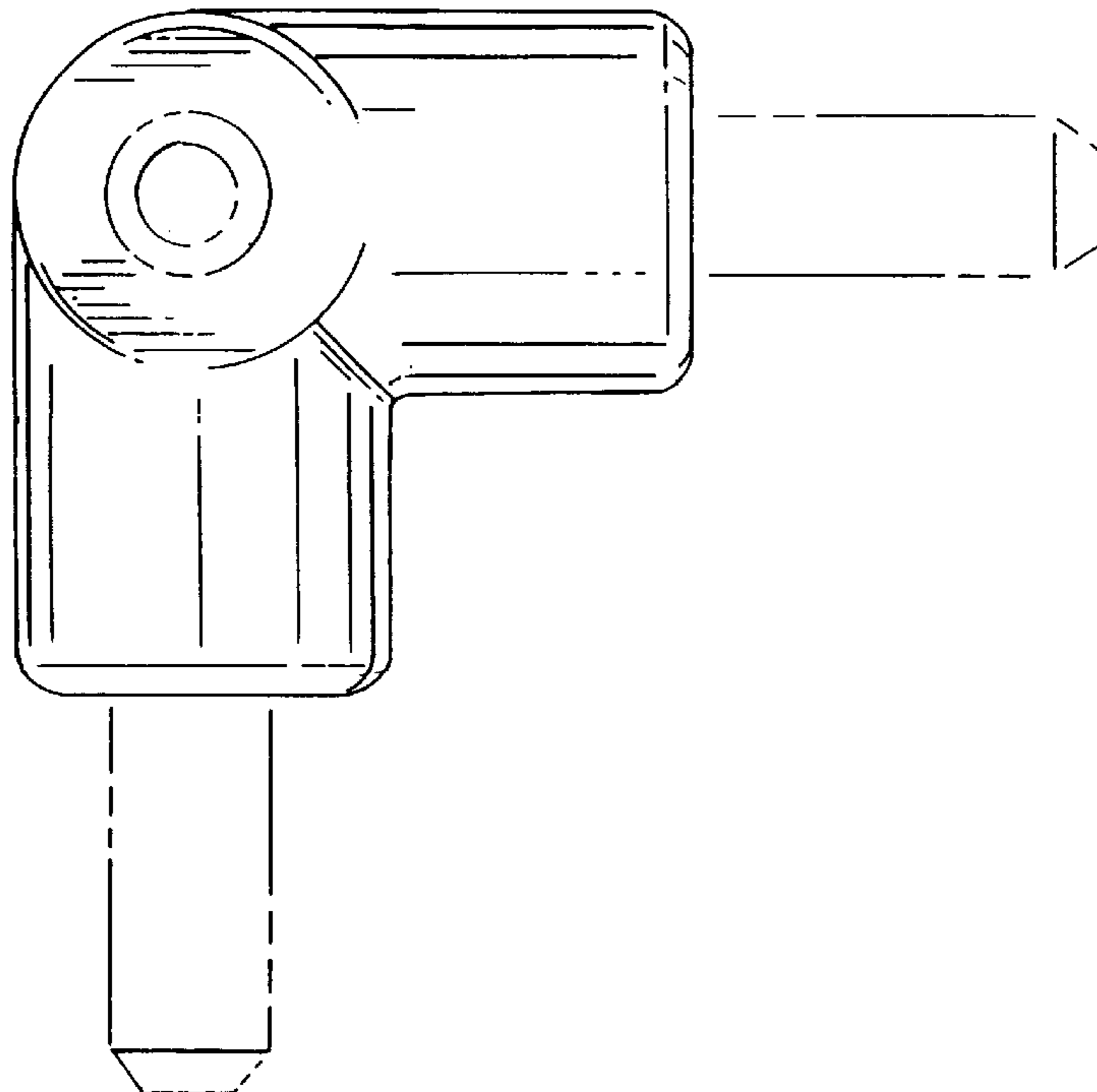


FIG. 7

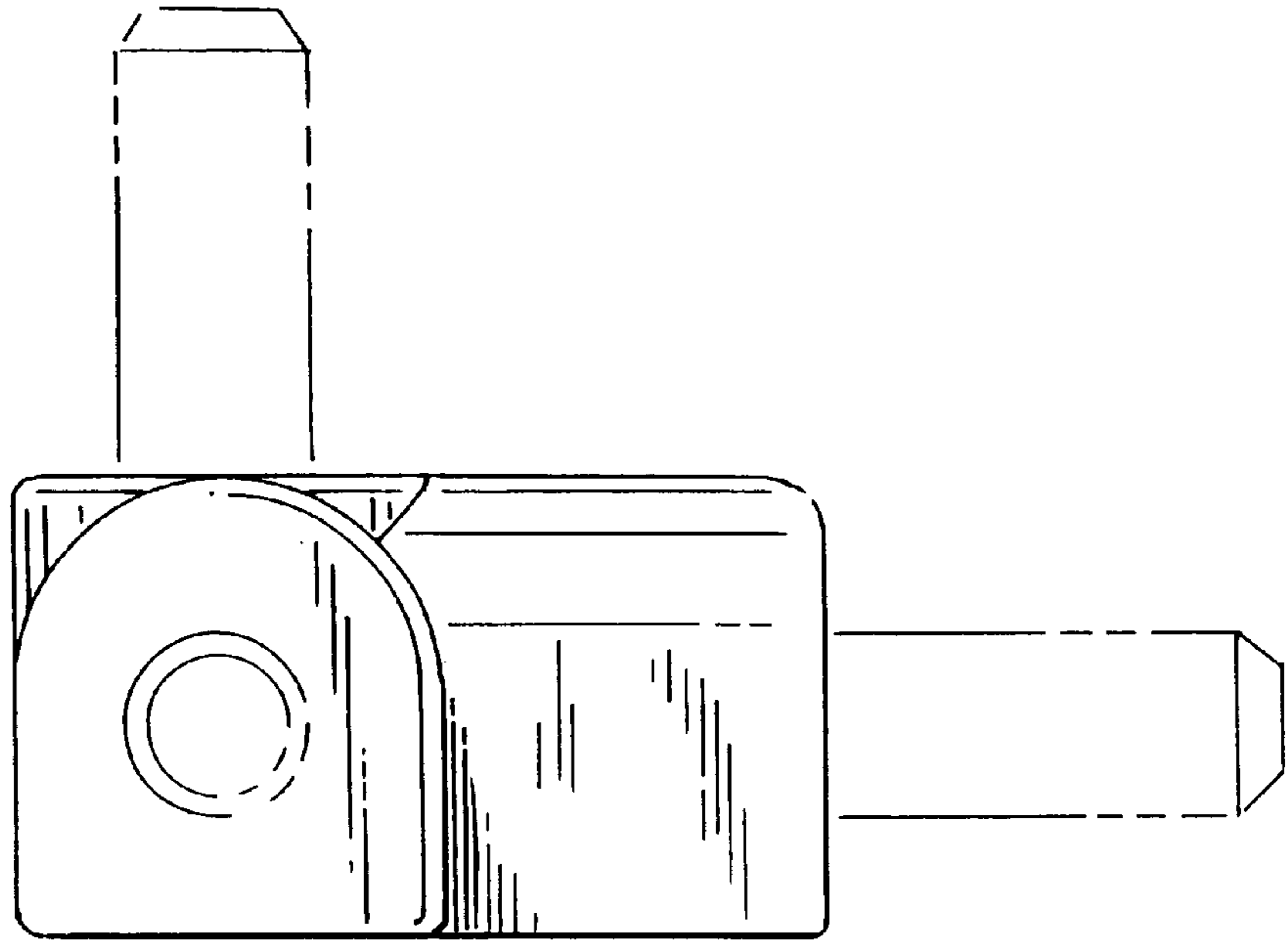


FIG. 8

