



US00D476879S

(12) **United States Design Patent**
Chu

(10) **Patent No.:** **US D476,879 S**

(45) **Date of Patent:** **** Jul. 8, 2003**

(54) **AUTO REWIND HOSE REEL**

(76) **Inventor:** **Li-Yun Chu**, No. 120, Chunghsing Rd.,
Sec. 1, Wuku Hsiang, Taipei, County
(TW)

(**) **Term:** **14 Years**

(21) **Appl. No.:** **29/169,717**

(22) **Filed:** **Oct. 25, 2002**

(51) **LOC (7) Cl.** **08-05**

(52) **U.S. Cl.** **D8/358**

(58) **Field of Search** D8/356, 358, 359,
D8/360.1; D13/153, 154, 155; 137/355.16,
355.26; 206/389, 398; 242/378.1, 379,
379.2, 385.1, 388, 388.1, 388.5, 395, 398,
404.3, 405, 405.3; 379/438; 439/4, 501

(56) **References Cited**

U.S. PATENT DOCUMENTS

- 2,428,446 A * 10/1947 Beede 191/12.2 R
- D186,898 S * 12/1959 Uebelhoer D8/359
- 3,176,931 A * 4/1965 Hannay 242/379
- D243,746 S * 3/1977 Youngblood D8/359

- 4,330,005 A * 5/1982 Kjarsgaard 137/355.16
- 4,467,979 A * 8/1984 Koehler 439/501
- 4,537,215 A * 8/1985 Roman 137/355.26
- D365,012 S * 12/1995 Sather D8/359

* cited by examiner

Primary Examiner—Doris V. Coles

Assistant Examiner—Elizabeth A. Albert

(74) *Attorney, Agent, or Firm*—Rosenberg, Klein & Lee

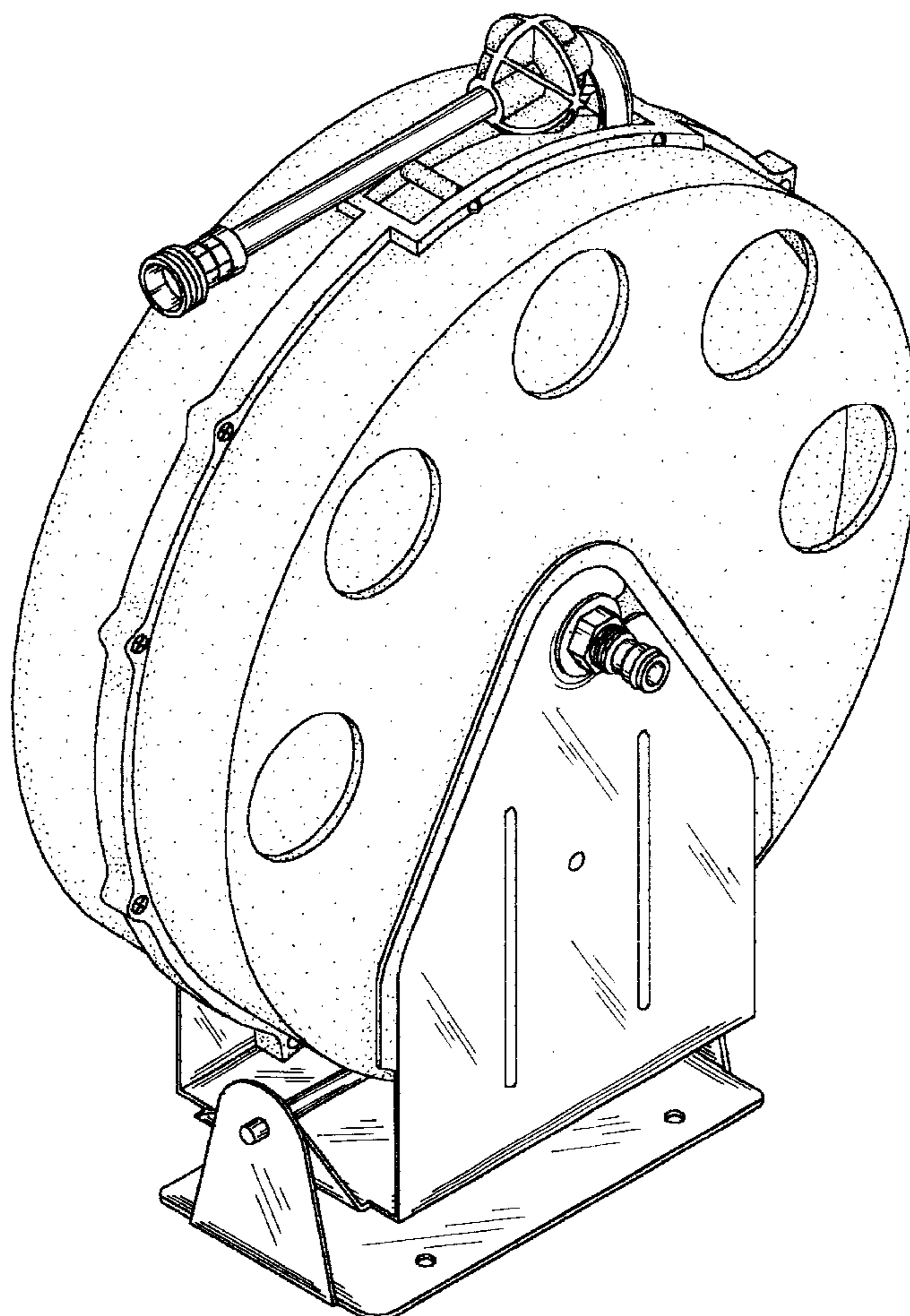
(57) **CLAIM**

The ornamental design for an auto rewind hose reel, as shown and described.

DESCRIPTION

FIG. 1 is a perspective view of an auto rewind hose reel showing my new design;
 FIG. 2 is a top plain view thereof;
 FIG. 3 is a bottom plain view thereof;
 FIG. 4 is a front elevational view thereof;
 FIG. 5 is a rear elevational view thereof;
 FIG. 6 is a left side elevational view thereof; and,
 FIG. 7 is a right side elevational view thereof.

1 Claim, 4 Drawing Sheets



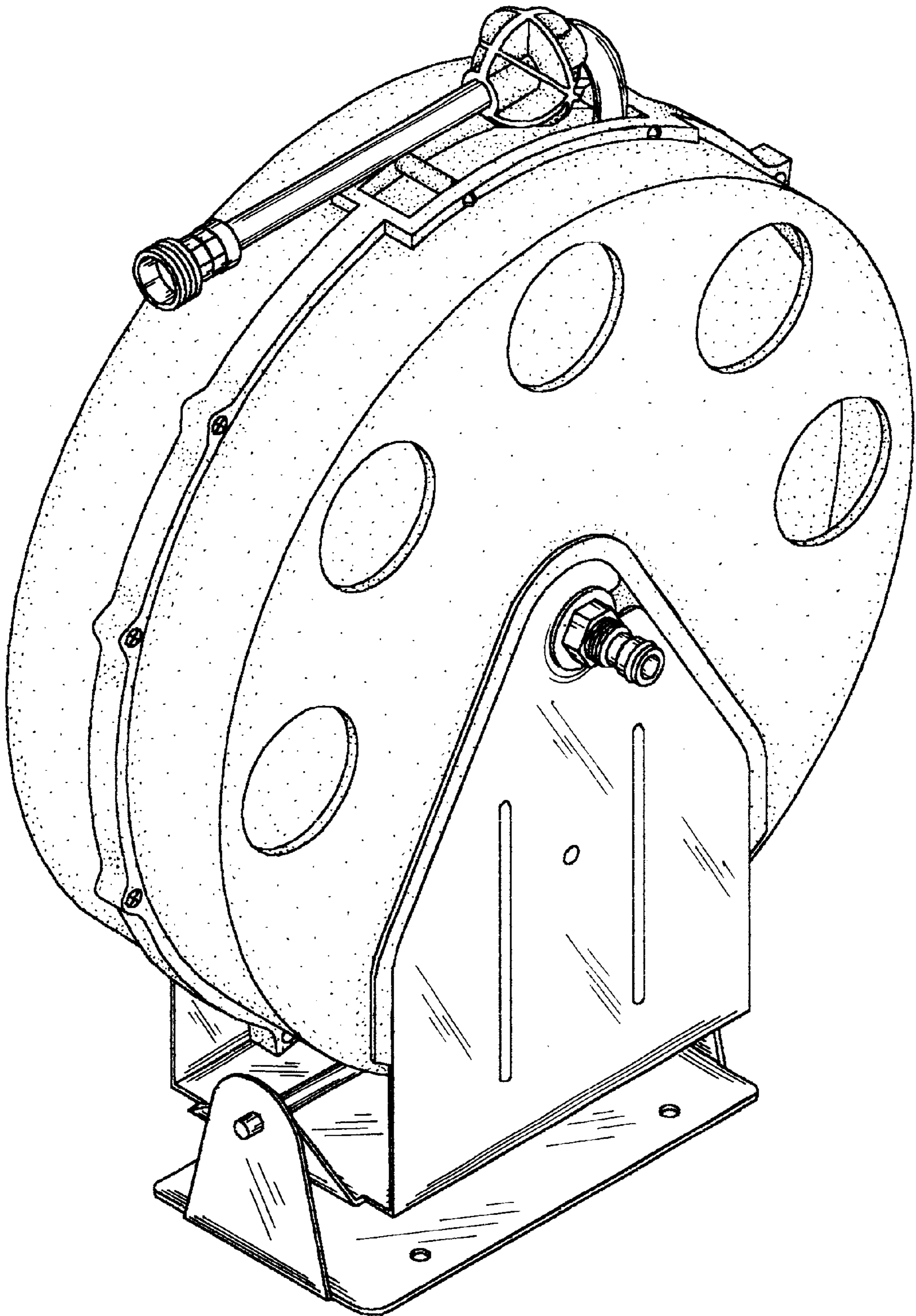


FIG.1

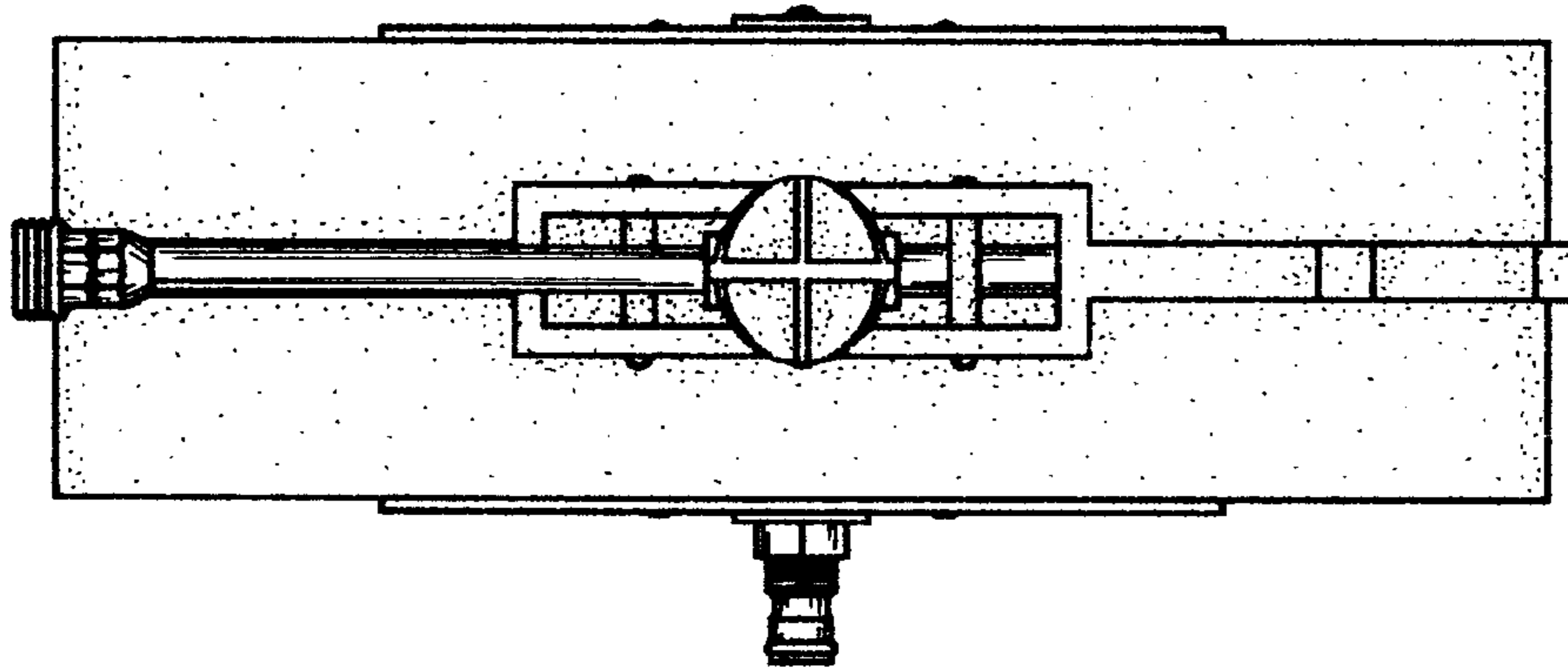


FIG. 2

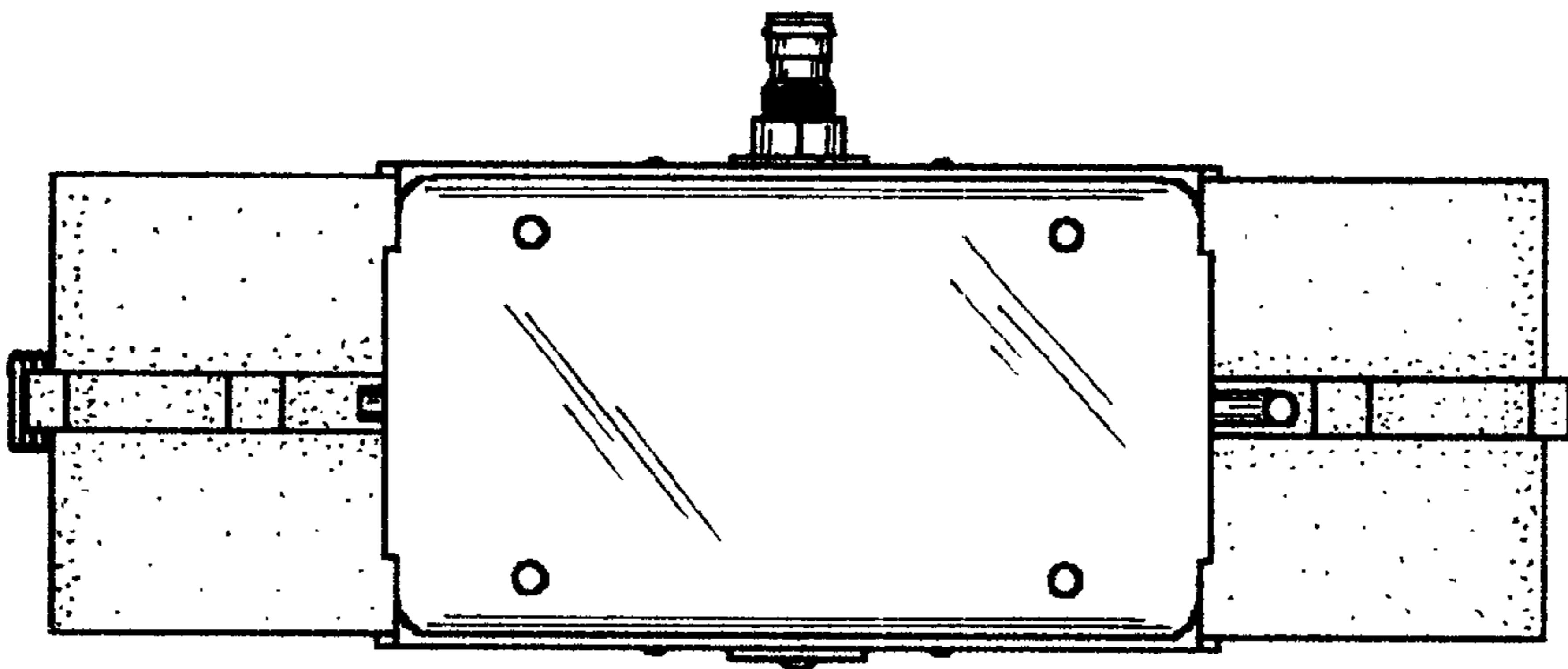


FIG. 3

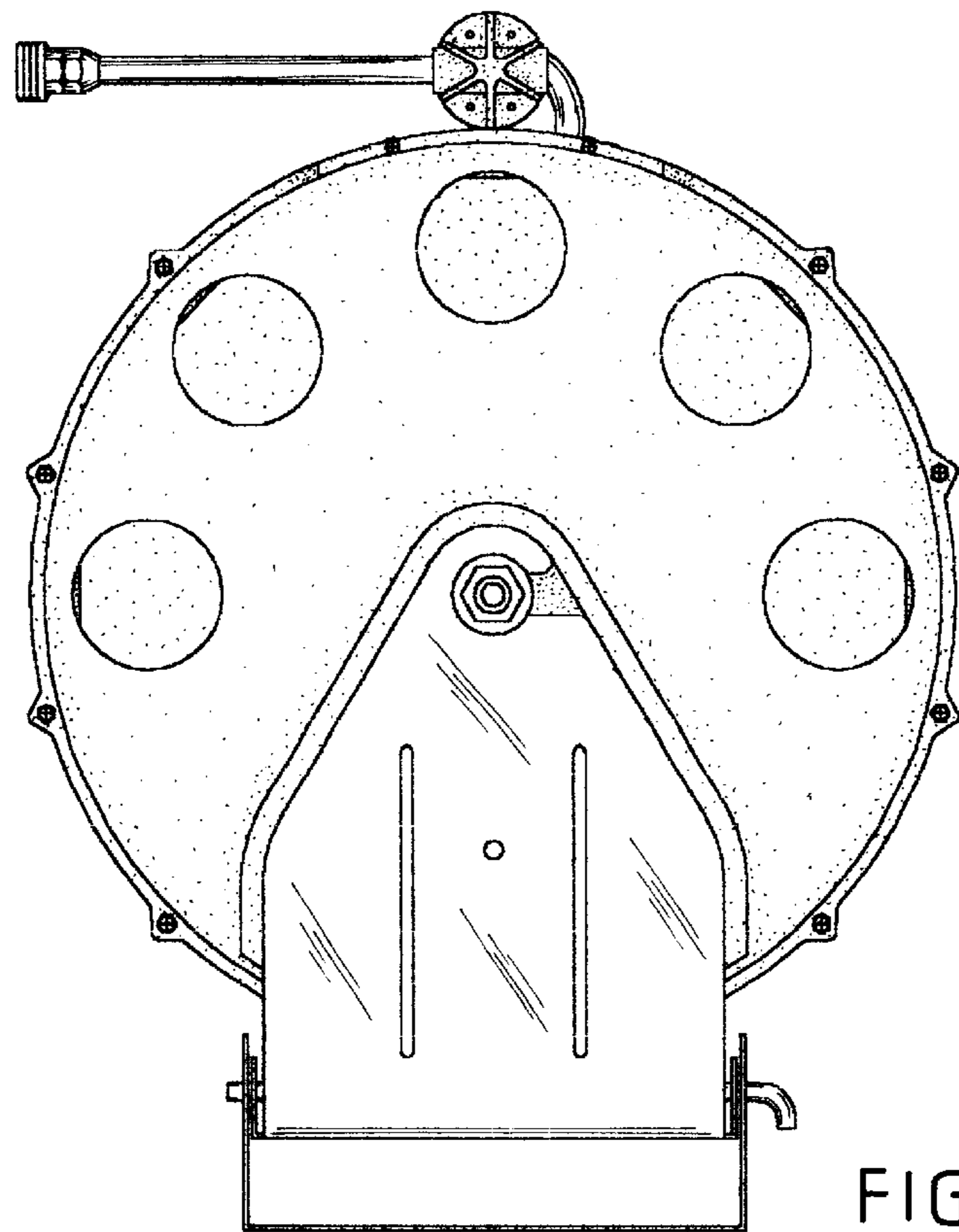


FIG. 4

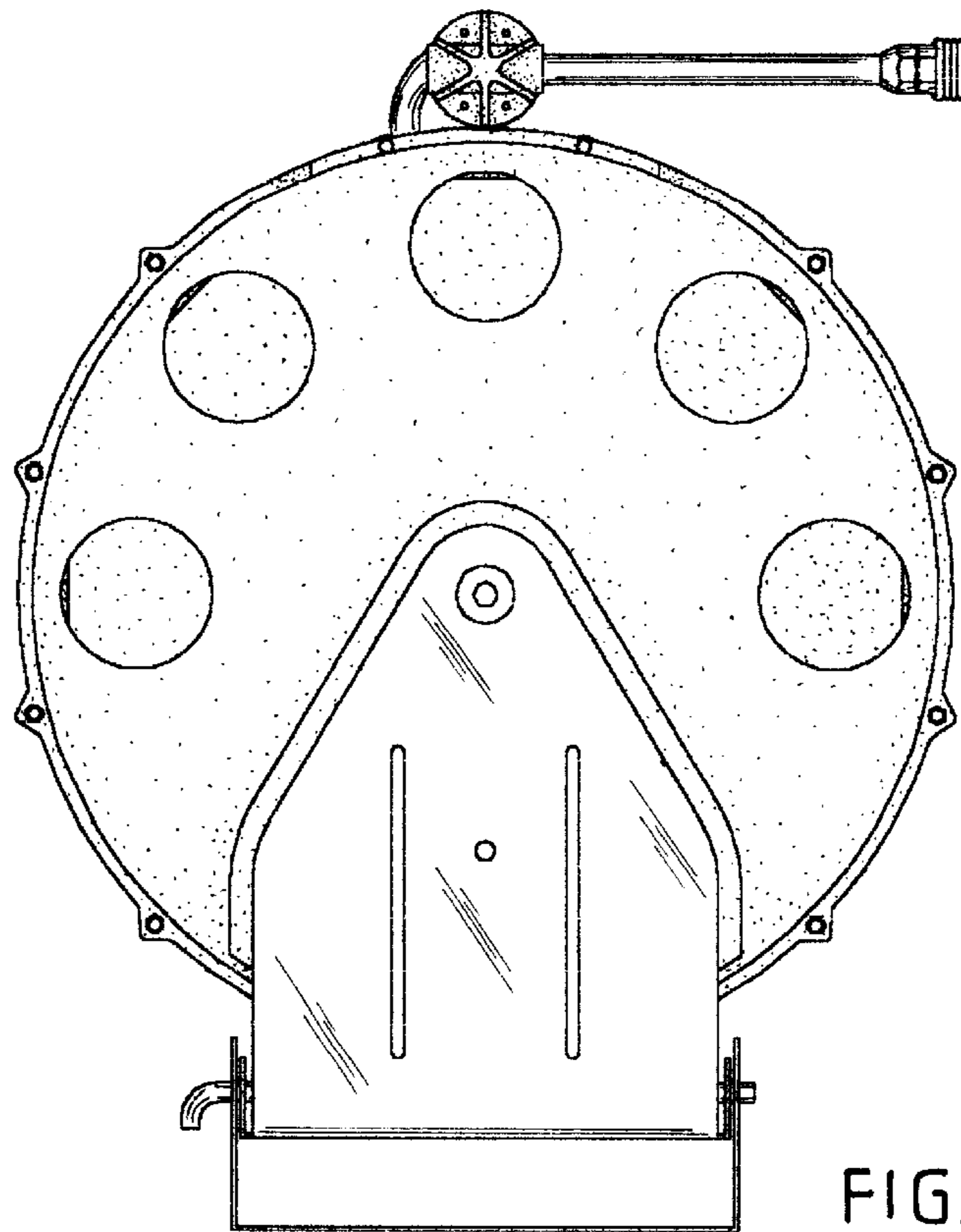


FIG. 5

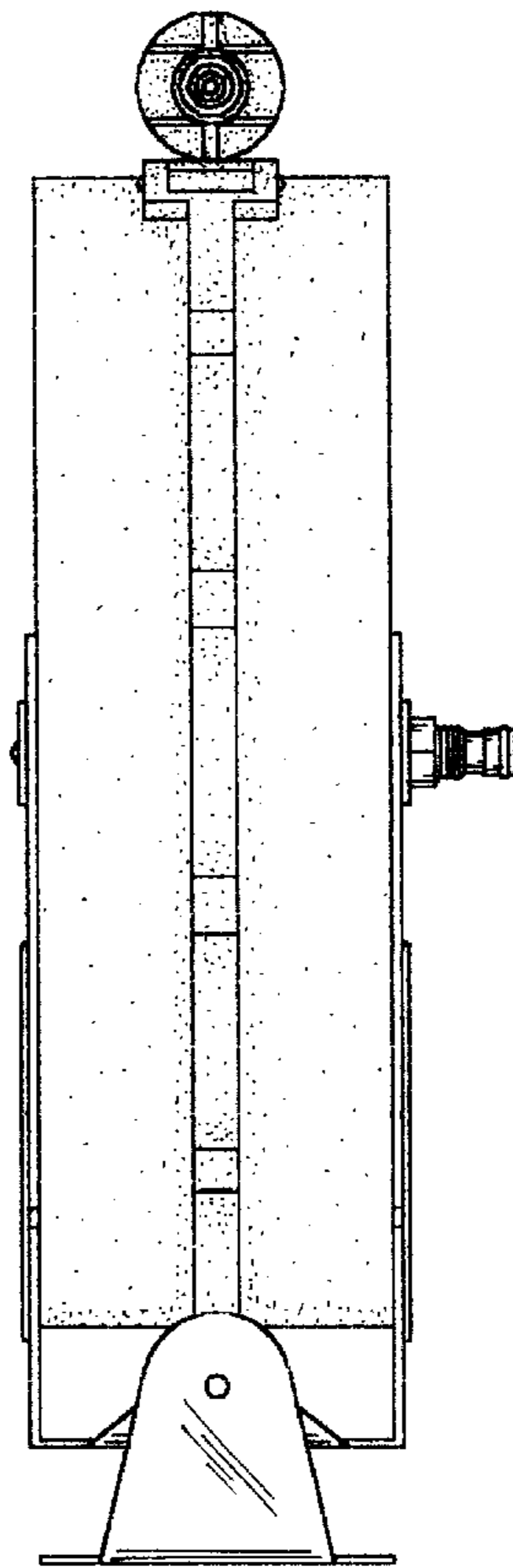


FIG. 6

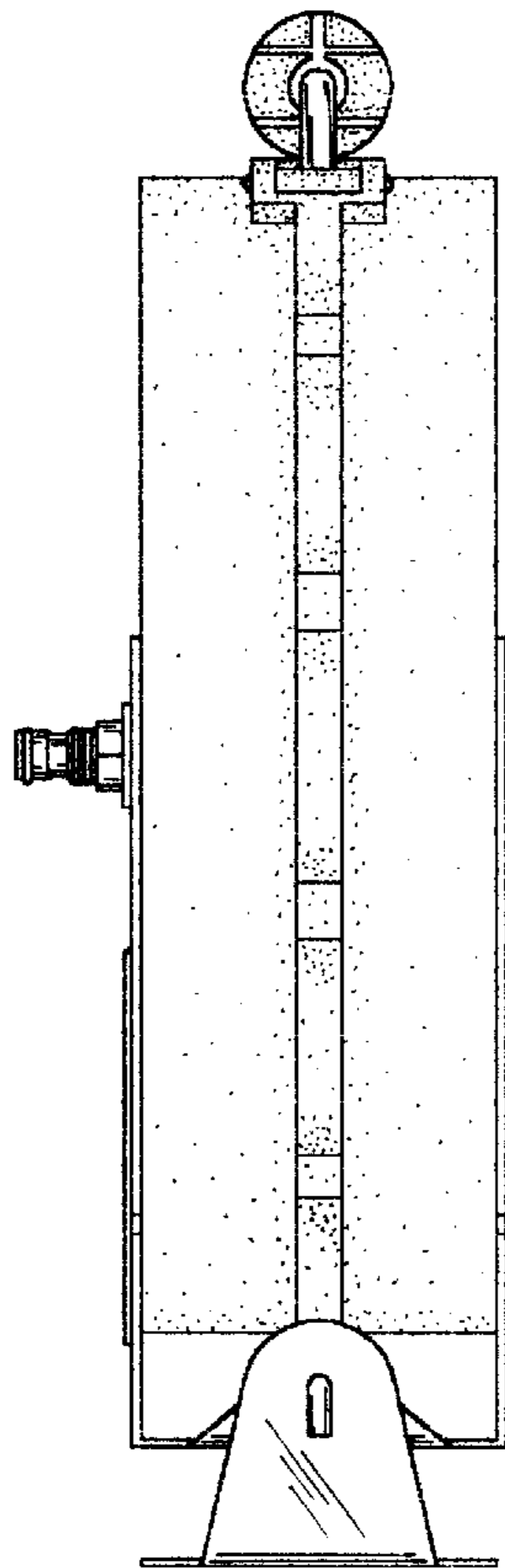


FIG. 7