



US00D476878S

(12) **United States Design Patent**  
**Evans**

(10) **Patent No.:** **US D476,878 S**

(45) **Date of Patent:** **\*\* Jul. 8, 2003**

(54) **HASP LOCK**

4,067,212 A \* 1/1978 Vorob ..... 70/103  
D285,772 S \* 9/1986 Oliver ..... D8/341

(76) Inventor: **David John Evans**, 5/9 The Crescent,  
Dee Why, NSW 2098 (AU)

\* cited by examiner

(\*\*) Term: **14 Years**

*Primary Examiner*—Brian N. Vinson  
(74) *Attorney, Agent, or Firm*—Scott W. Kelley; Kelly  
Bauersfeld Lowry & Kelley, LLP

(21) Appl. No.: **29/159,542**

(22) Filed: **Apr. 23, 2002**

(57) **CLAIM**

(30) **Foreign Application Priority Data**

The ornamental design for a hasp lock, as shown.

Oct. 23, 2001 (AU) ..... 3334/001

**DESCRIPTION**

(51) **LOC (7) Cl.** ..... **08-01**

FIG. 1 is a perspective view from the front left side.

(52) **U.S. Cl.** ..... **D8/331**

FIG. 2 is a front elevation.

(58) **Field of Search** ..... D8/330, 331, 336,  
D8/338, 339, 341; 70/104, 105, 124, 129,  
135, 120, 123

FIG. 3 is a plan view.

FIG. 4 is an inverted plan view.

FIG. 5 is a right hand side elevation.

FIG. 6 is a left hand side elevation.

(56) **References Cited**

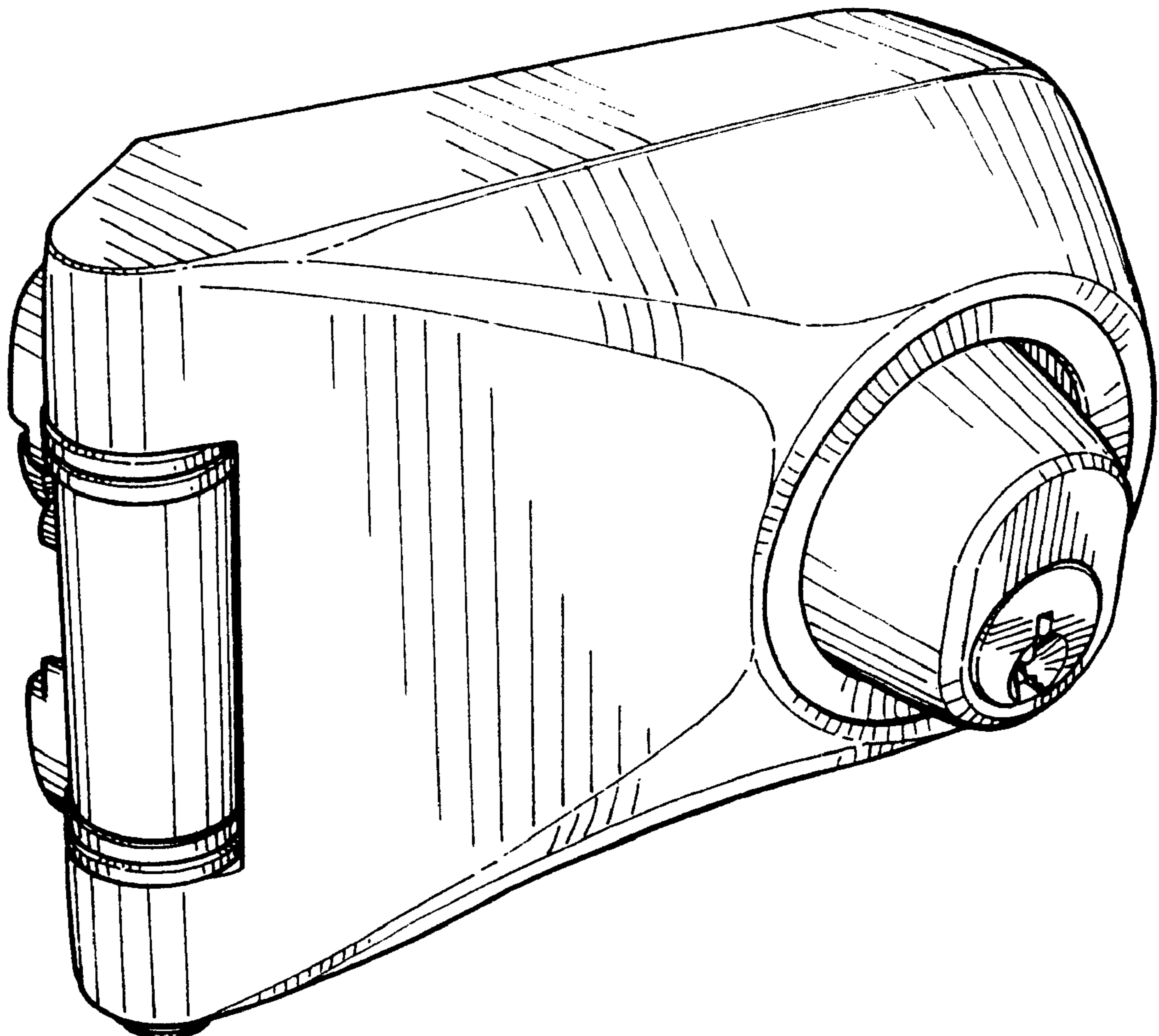
FIG. 7 is a rear elevation of the hasp lock in a locked  
position; and,

**U.S. PATENT DOCUMENTS**

FIG. 8 is a front perspective view of the hasp lock in an open  
position.

2,225,663 A \* 12/1940 Segal ..... 70/104  
3,746,380 A \* 7/1973 Kartarik ..... 70/104 X  
3,760,619 A \* 9/1973 Colombo ..... 70/104

**1 Claim, 4 Drawing Sheets**



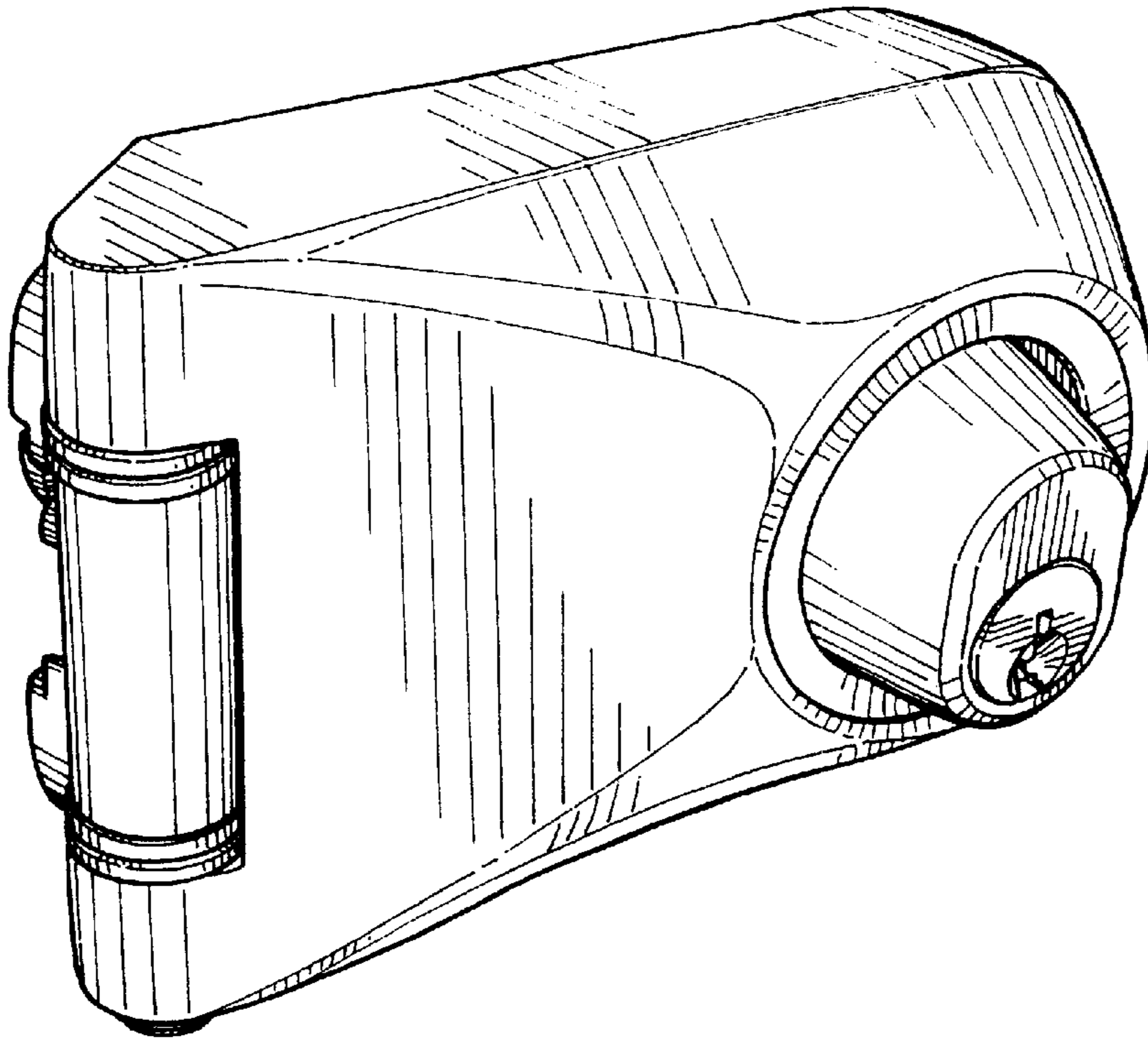


FIG. 1

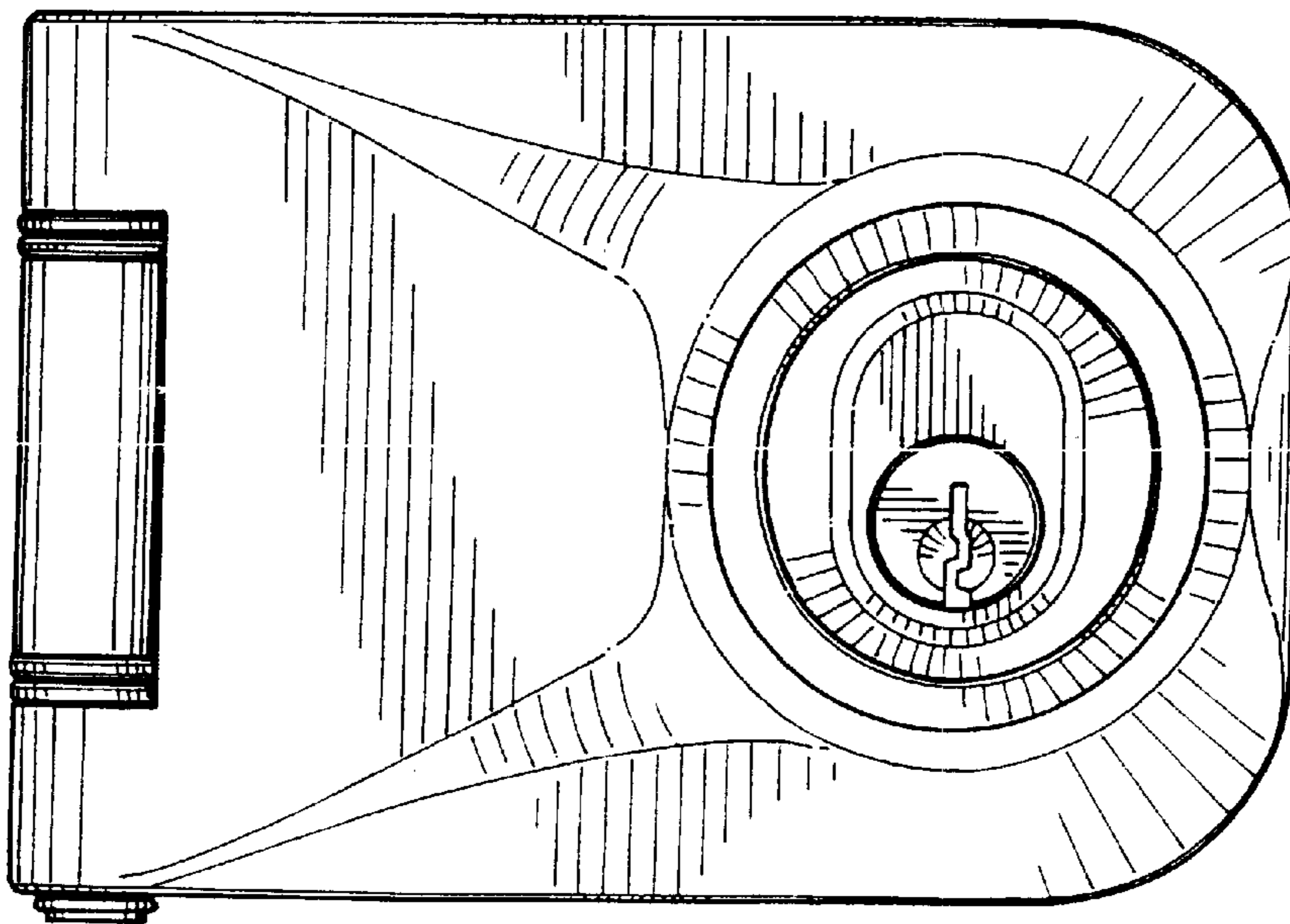
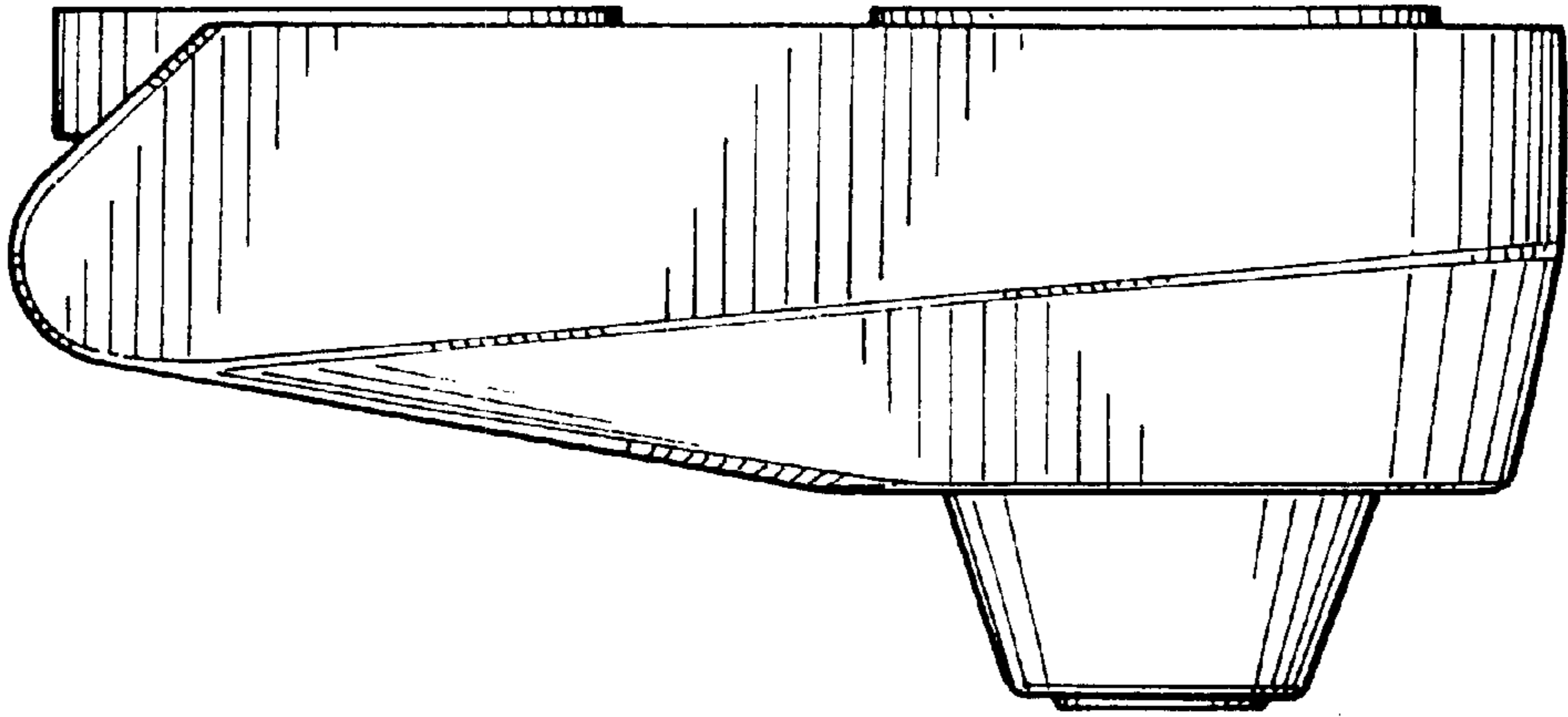
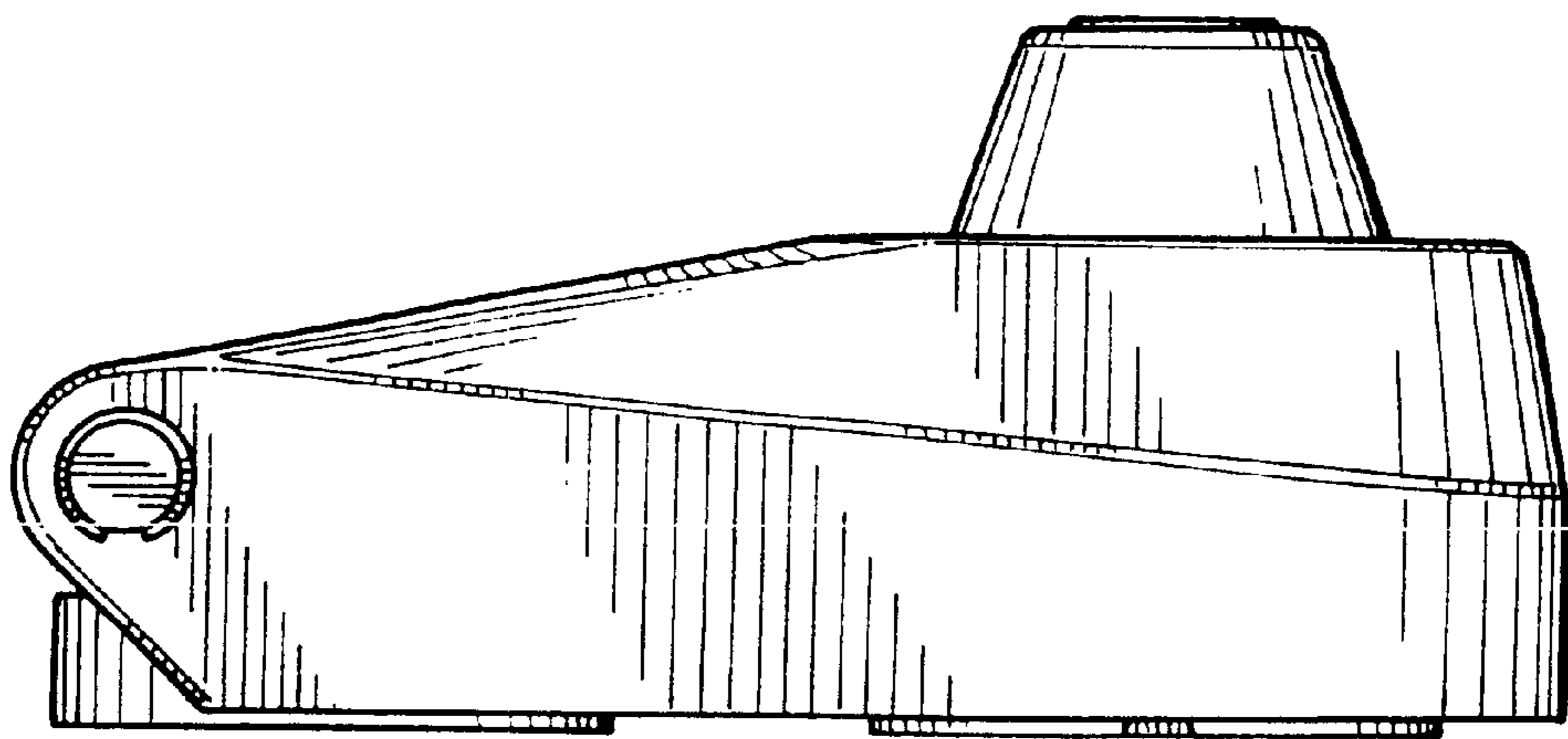


FIG. 2



*FIG. 3*



*FIG. 4*

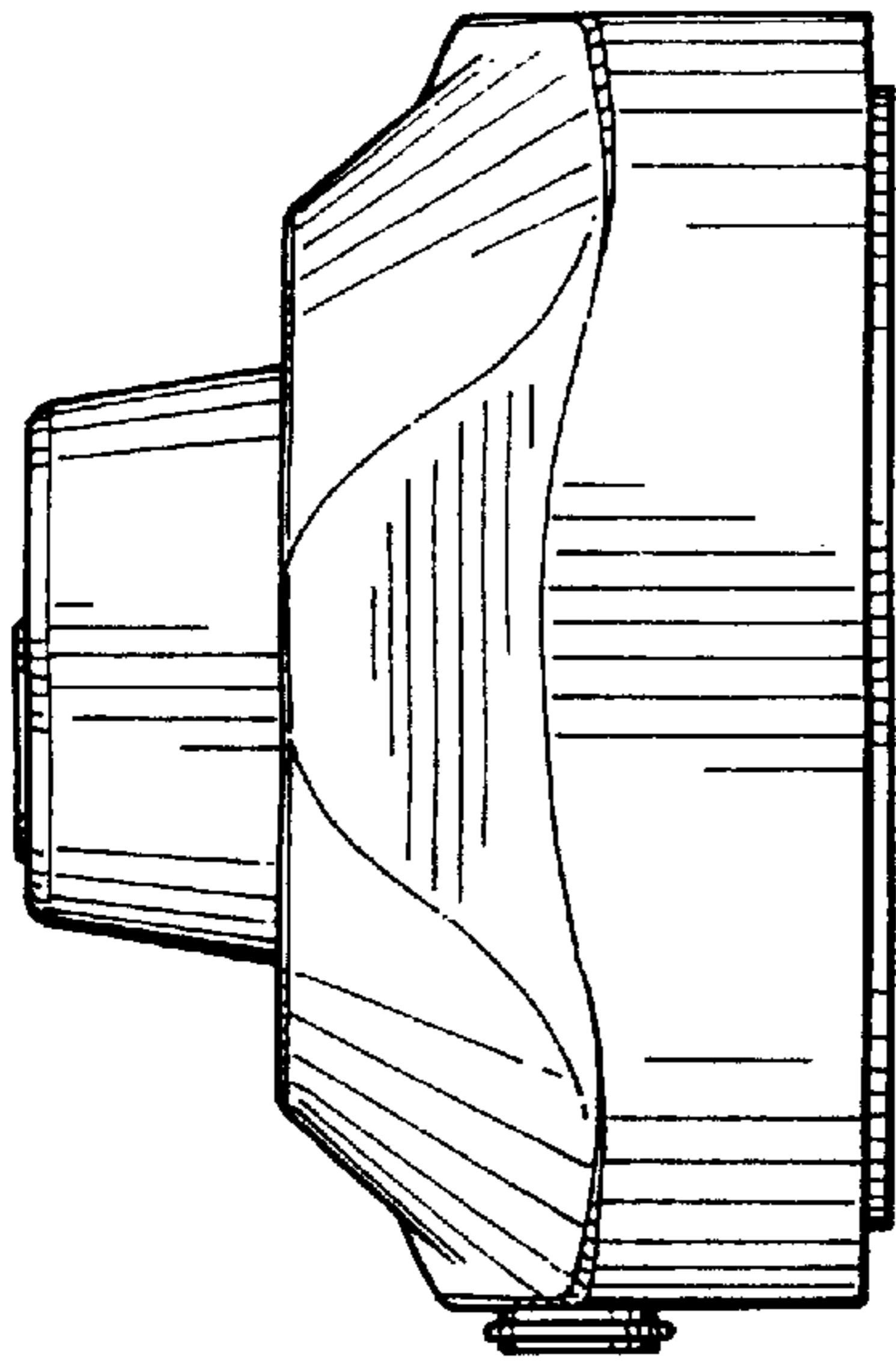


FIG. 5

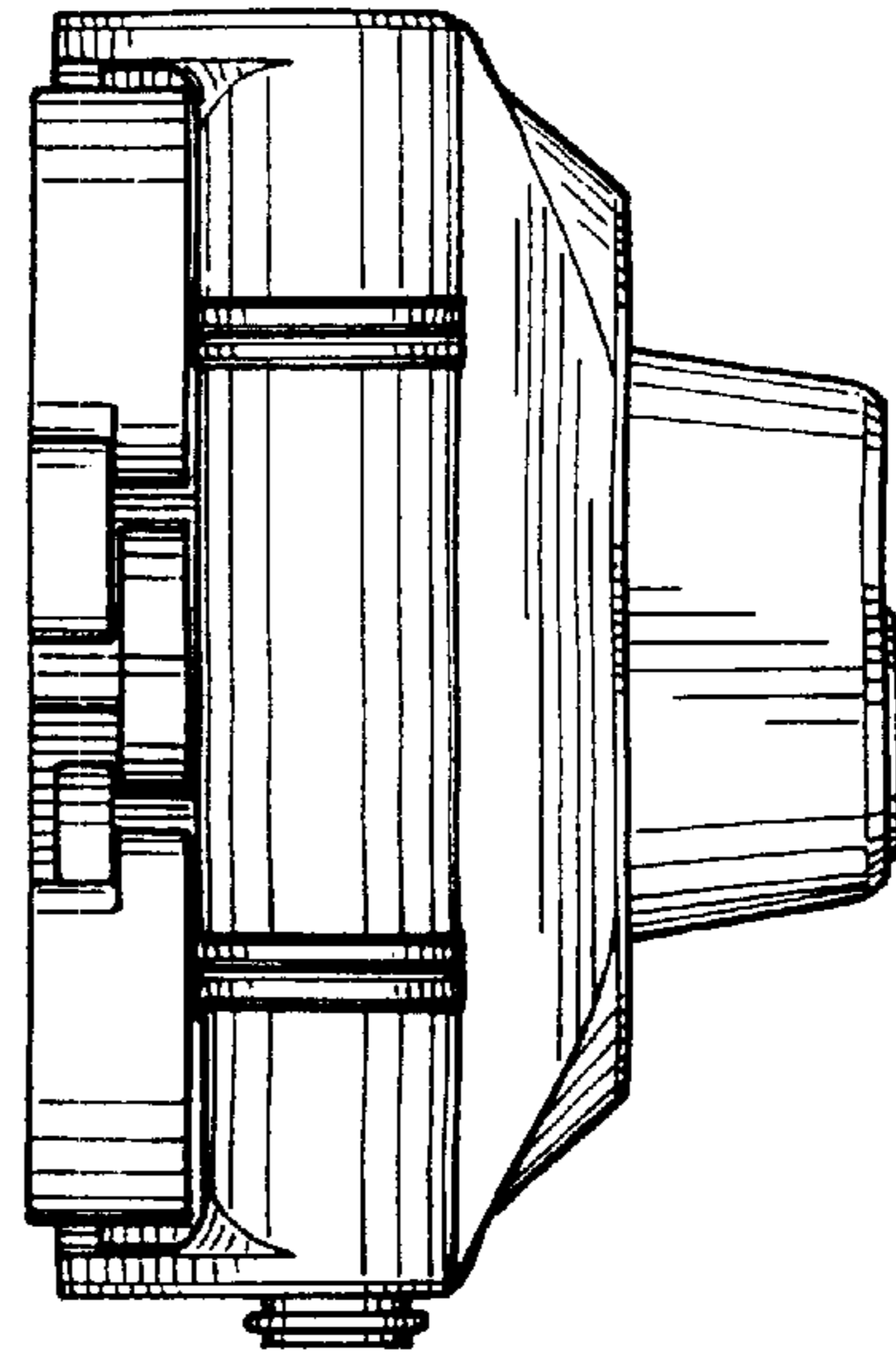


FIG. 6

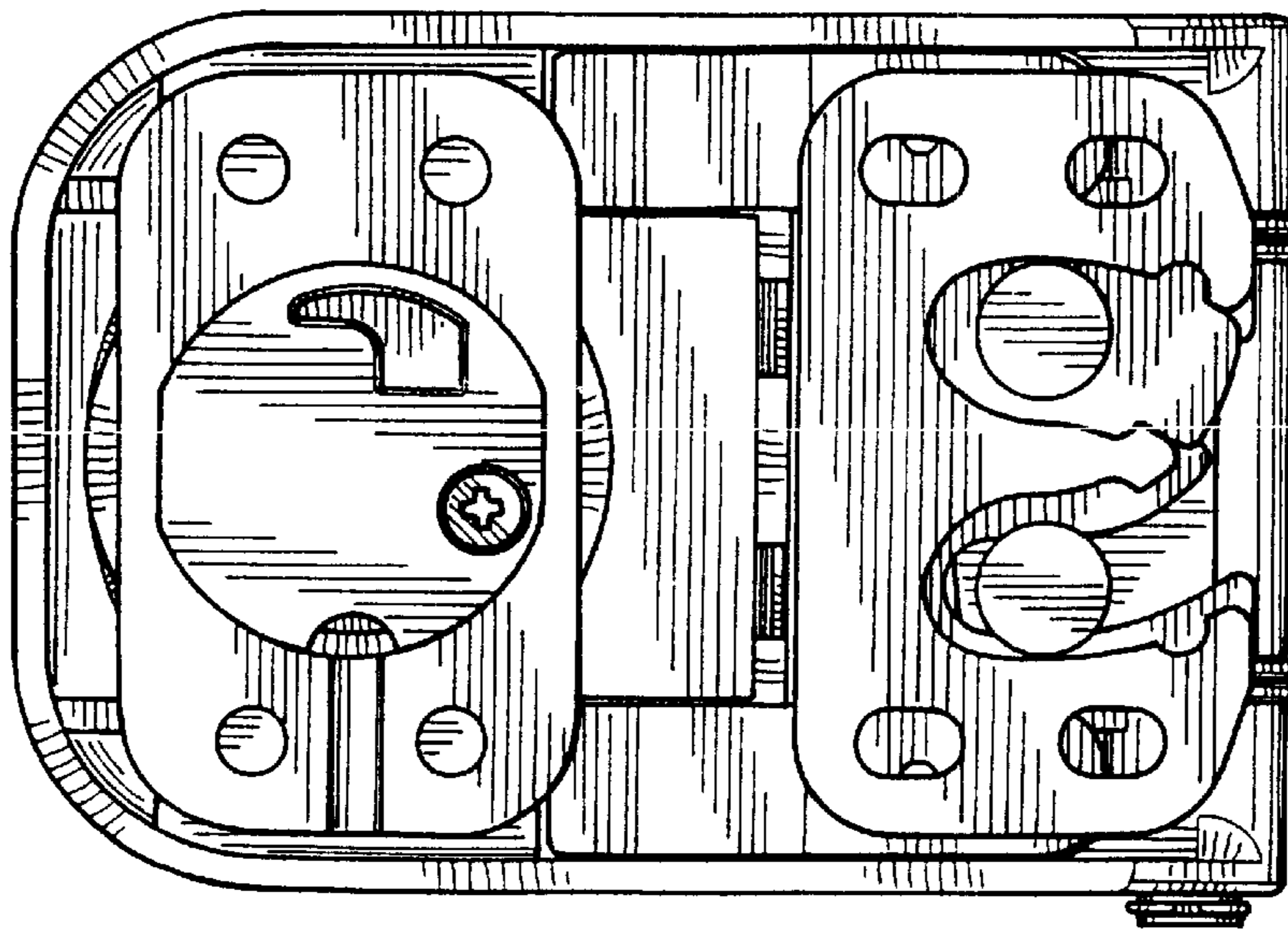
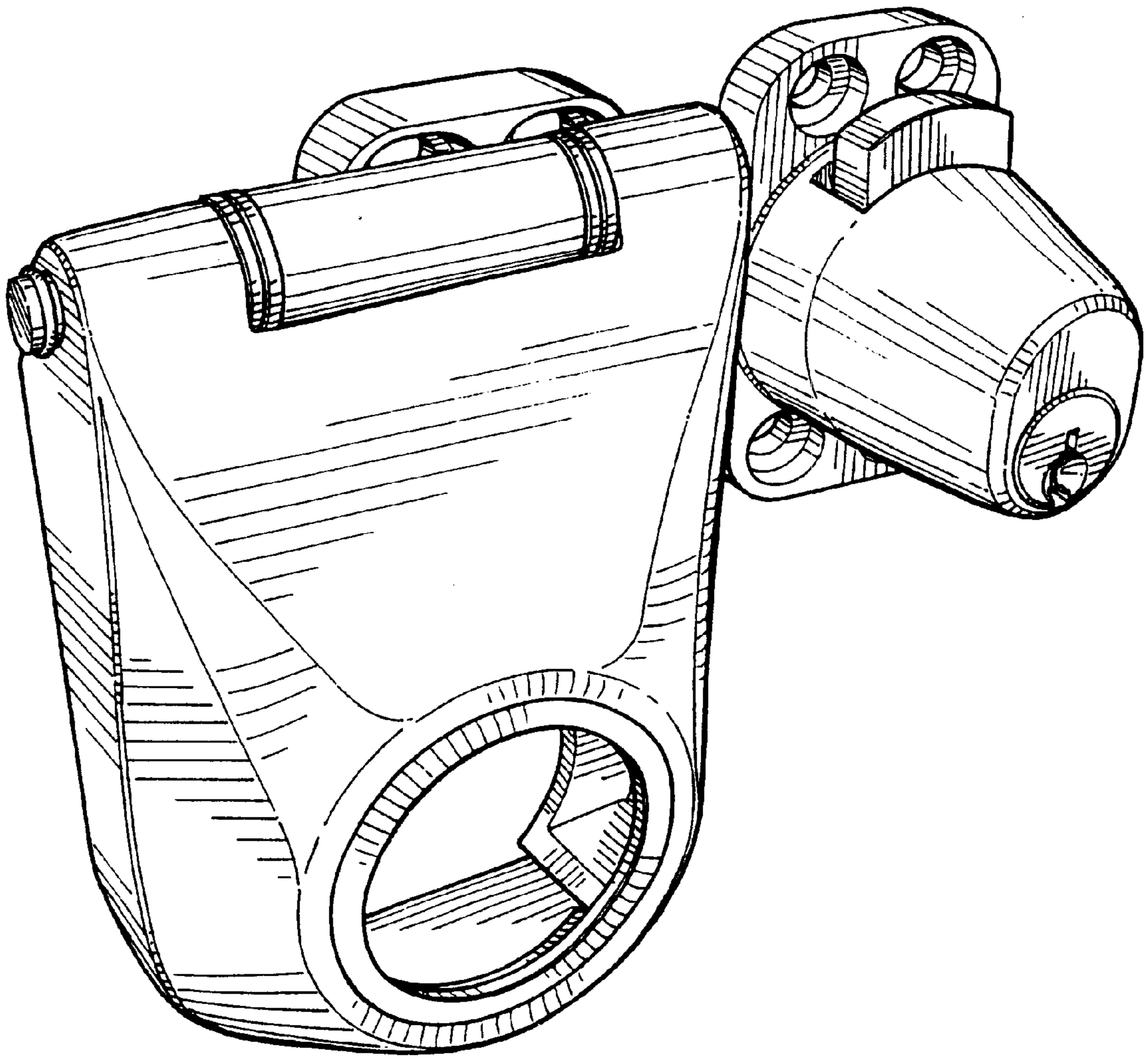


FIG. 7



*FIG. 8*