



US00D476873S

(12) **United States Design Patent**
Carroll

(10) **Patent No.:** **US D476,873 S**

(45) **Date of Patent:** **** Jul. 8, 2003**

(54) **THREADED ATTACHMENT FOR USE WITH
EXTENDABLE SPLINE-DRIVE SOCKET
ASSEMBLY**

(76) **Inventor:** **Sean M. Carroll**, 1145 El Camino
Real, #2, Burlingame, CA (US) 94010

(**) **Term:** **14 Years**

(21) **Appl. No.:** **29/155,019**

(22) **Filed:** **Feb. 1, 2002**

Related U.S. Application Data

(63) Continuation-in-part of application No. 29/136,362, filed on
Jan. 29, 2001, now Pat. No. Des. 459,961, which is a
continuation of application No. 09/185,235, filed on Nov. 3,
1998, now abandoned.

(51) **LOC (7) Cl.** **08-05**

(52) **U.S. Cl.** **D8/70**

(58) **Field of Search** D8/29, 70, 86;
81/121.1, 124.4, 124.6, 124.7, 177.85, 436,
437; 279/8, 9.1, 99, 904; 403/298; 408/239,
240; 439/583, 584, 585

(56) **References Cited**

U.S. PATENT DOCUMENTS

1,414,190 A * 4/1922 Koehler 279/8
3,400,626 A * 9/1968 Bergere 411/405
D276,879 S * 12/1984 Bell D8/70
D289,405 S * 4/1987 Nystrom D15/140

5,127,843 A * 7/1992 Henry et al. 439/583
D329,581 S * 9/1992 Vest D8/70
D333,247 S * 2/1993 Juliano D8/70
5,269,208 A * 12/1993 Kolvites et al. 81/121.1
D343,780 S * 2/1994 Balbaugh, III D8/70
5,916,340 A * 6/1999 Forsyth 81/124.6
6,199,578 B1 * 3/2001 Clark, II 137/318
D458,904 S * 6/2002 Montena D13/154

* cited by examiner

Primary Examiner—Doris V. Coles

Assistant Examiner—Elizabeth A. Albert

(74) *Attorney, Agent, or Firm*—Carol D. Titus; Gregory
Smith & Associates

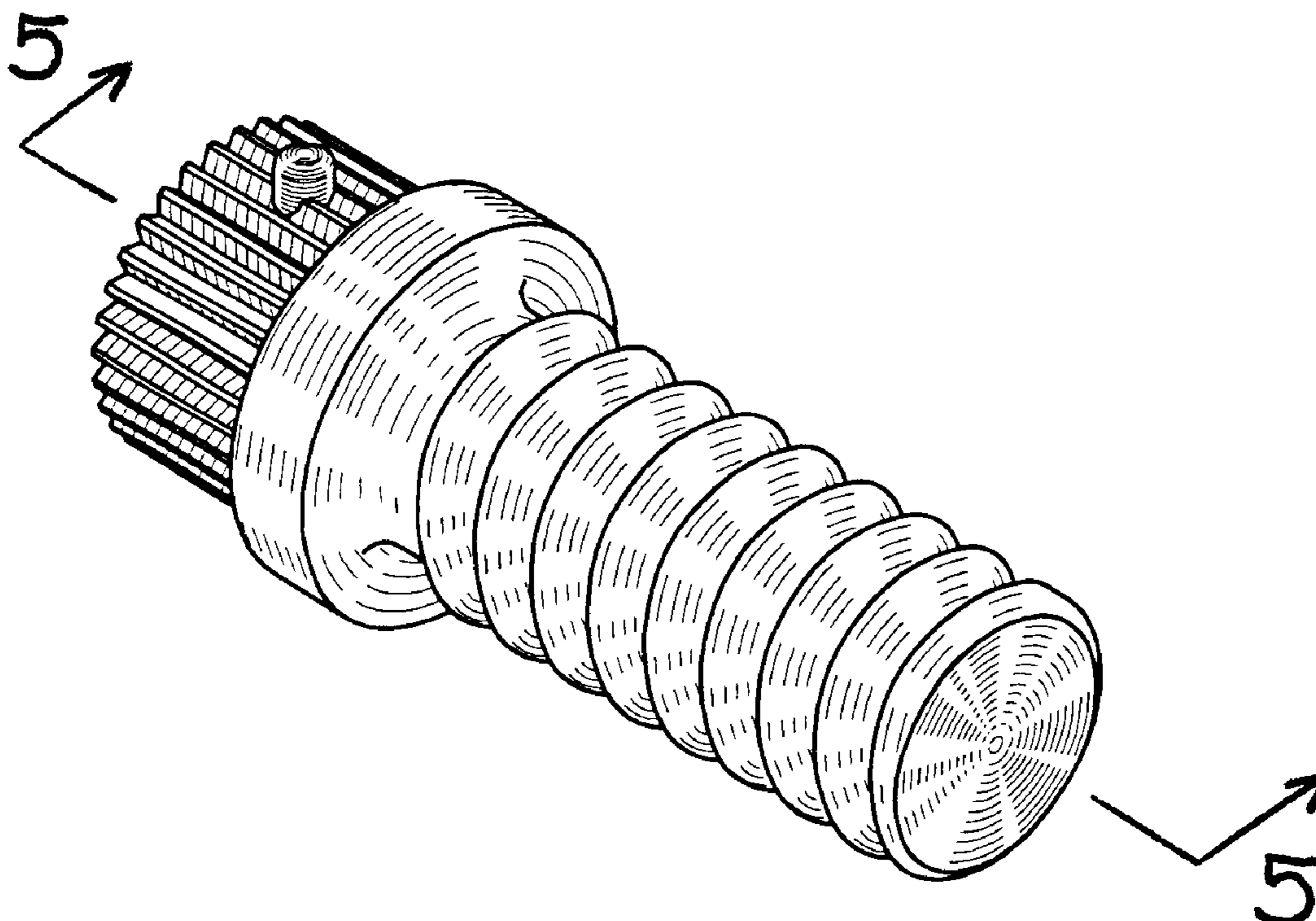
(57) **CLAIM**

The ornamental design for a threaded attachment for use
with extendable spline-drive socket assembly, as shown and
described.

DESCRIPTION

FIG. 1 is a top perspective view of the threaded attachment
for use with extendable spline-drive socket assembly;
FIG. 2 is a back end view thereof;
FIG. 3 is a right side view thereof;
FIG. 4 is a front end view of the socket thereof;
FIG. 5 is a cross-sectional view thereof taken along line
5—5 in FIG. 1;
FIG. 6 is a left side view thereof; and,
FIG. 7 is a bottom perspective view thereof.

1 Claim, 1 Drawing Sheet



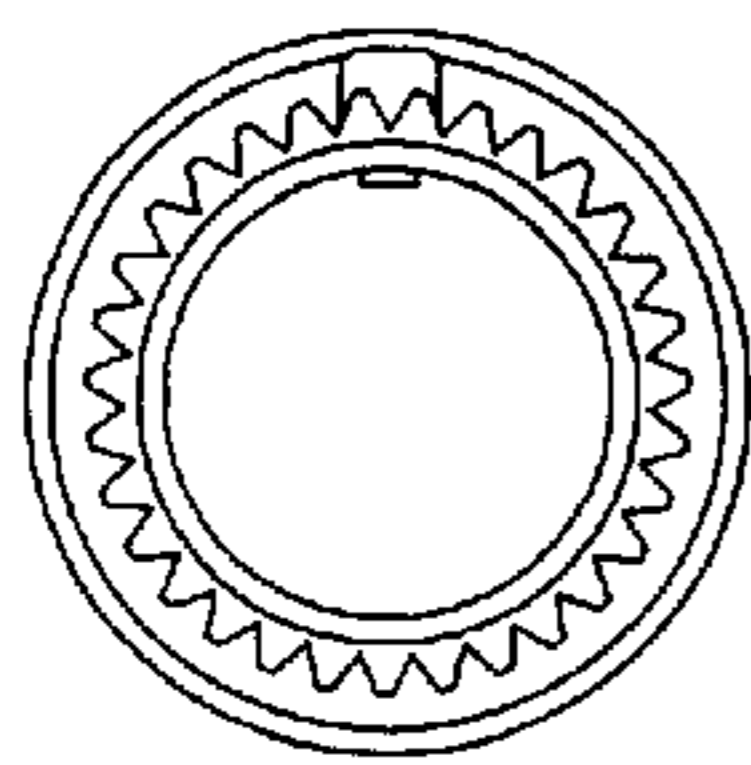
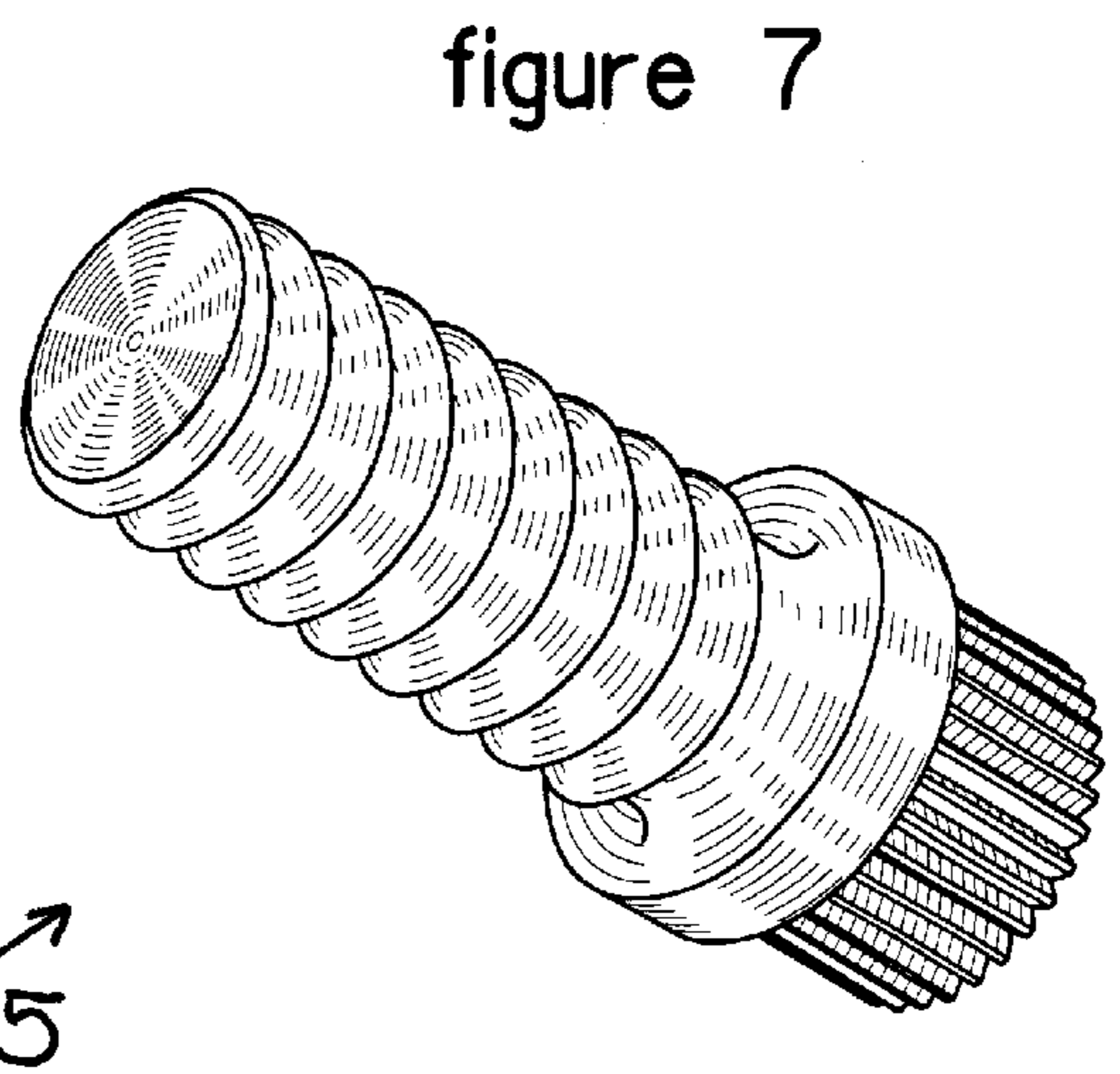
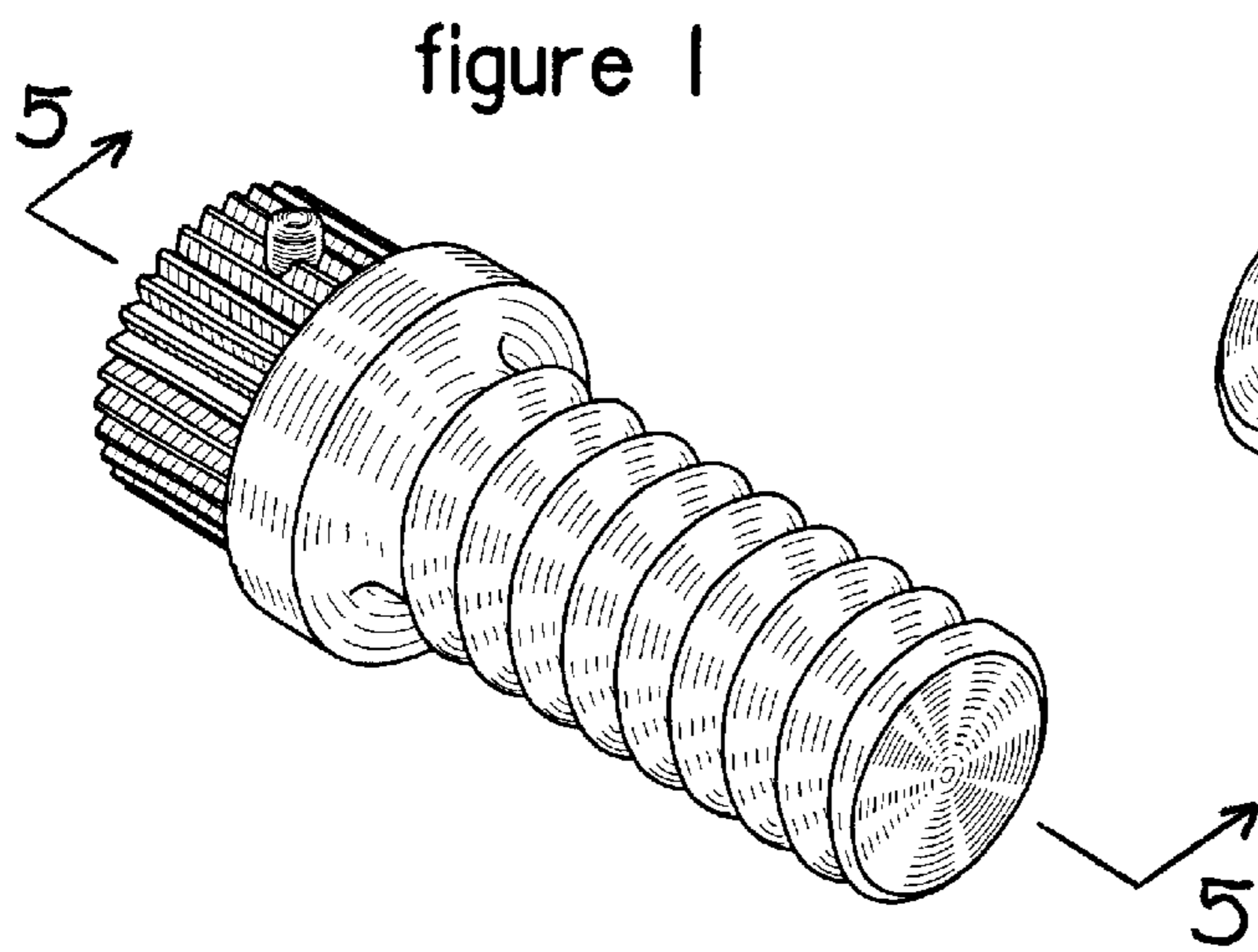


figure 2

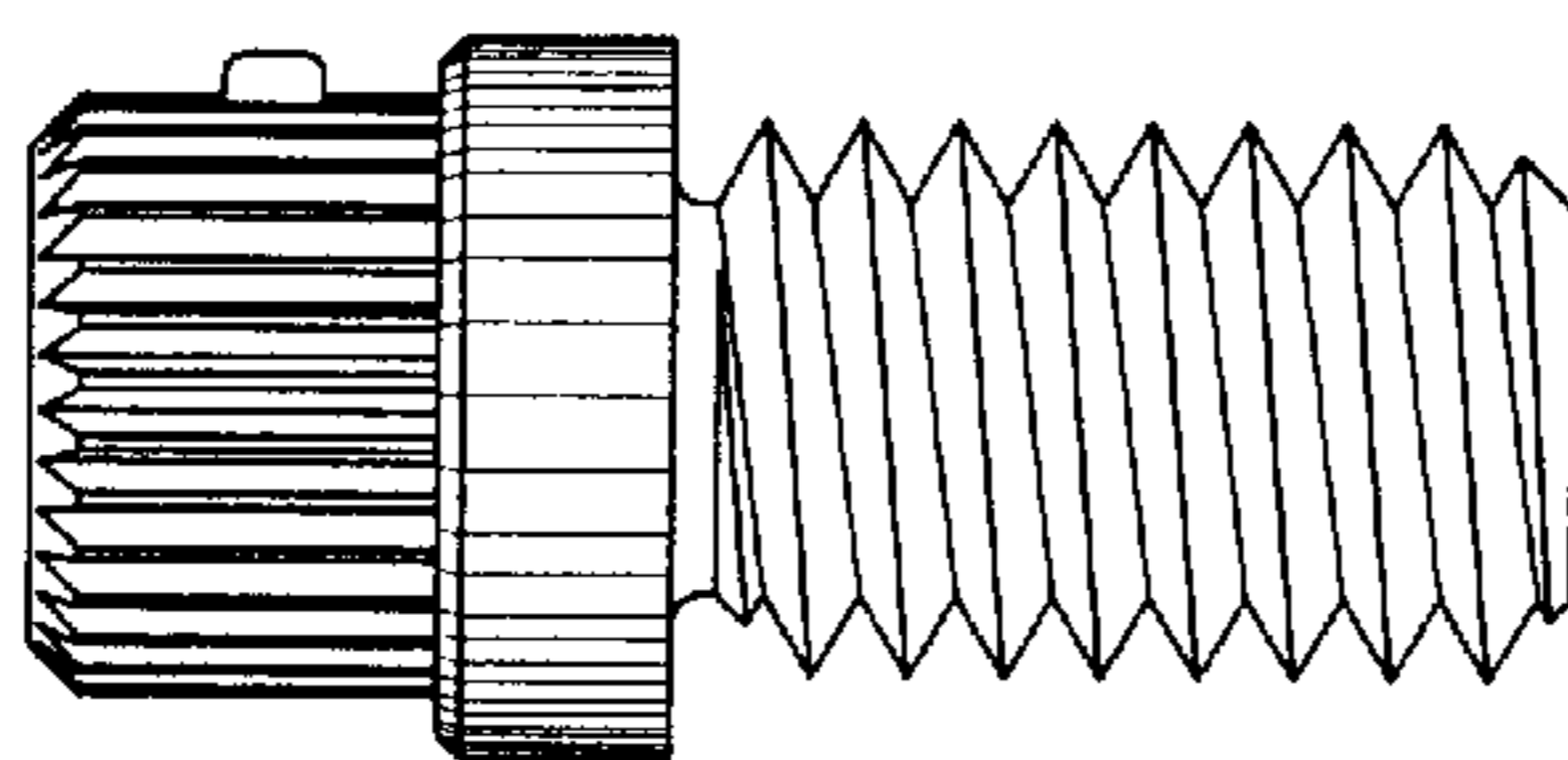


figure 3

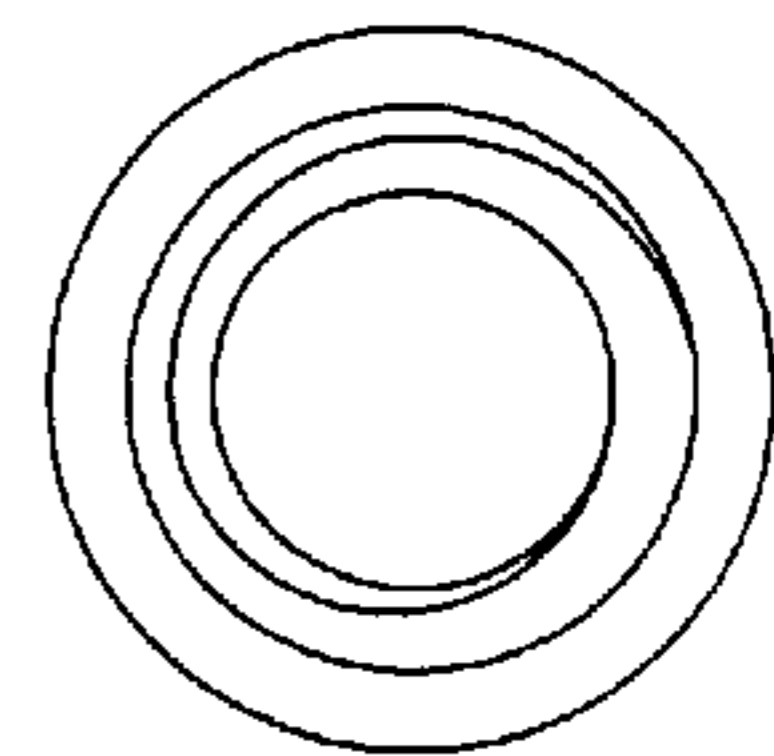


figure 4

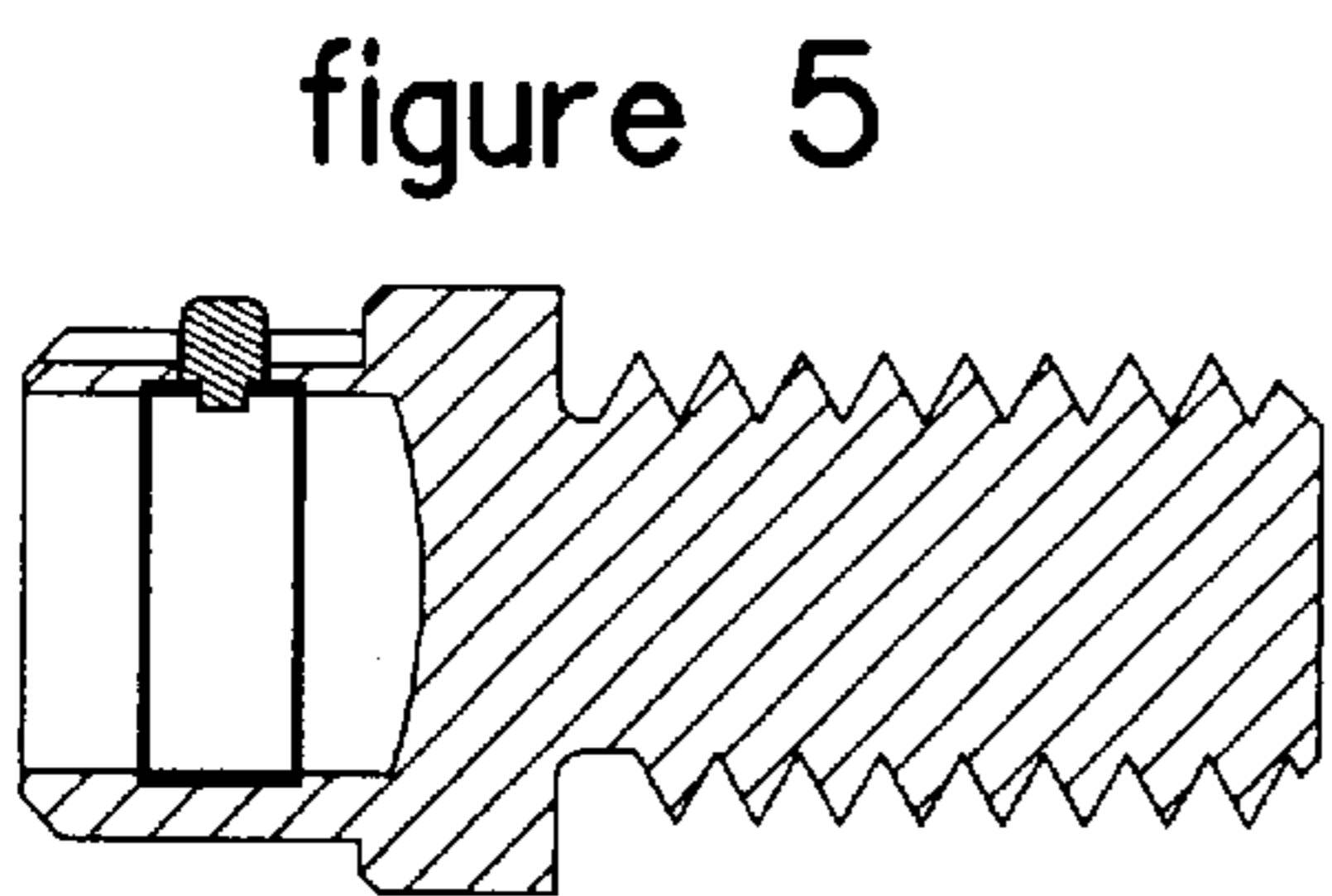


figure 5

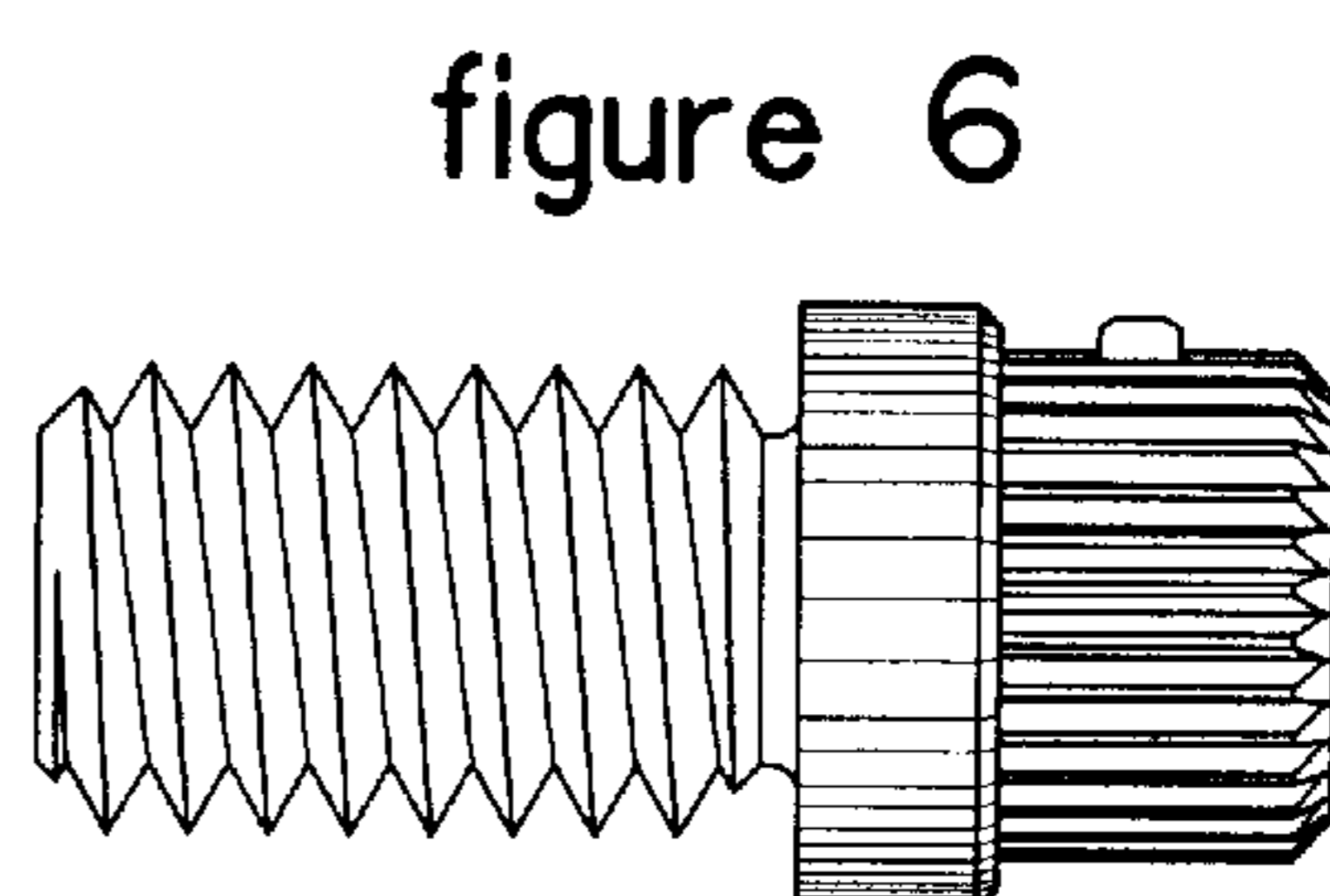


figure 6