



US00D476872S

(12) **United States Design Patent**
Wang

(10) **Patent No.:** **US D476,872 S**

(45) **Date of Patent:** **** Jul. 8, 2003**

(54) **HANDLE OF A PNEUMATIC HAMMER**
(76) Inventor: **Kuan Lin Wang**, 11F-2, No. 43, Chai-I Street, Taichung City (TW)

(**) Term: **14 Years**

(21) Appl. No.: **29/148,567**
(22) Filed: **Sep. 24, 2001**

(51) **LOC (7) Cl.** **08-02**
(52) **U.S. Cl.** **D8/70**
(58) **Field of Search** D8/61, 62, 63, D8/64, 65, 66, 67, 68, 69, 70, 107; 81/57.11, 429, 464, 465, 466, 469, 489; 173/13, 169, 178, 213, 217; 227/8, 114, 120, 130, 136, 142; 310/50; 408/20, 124, 125, 234, 241 R; 451/358

(56) **References Cited**
U.S. PATENT DOCUMENTS

3,797,723	A	*	3/1974	Perkins et al.	D8/61
D383,657	S	*	9/1997	Kaiser	D8/68
5,727,726	A	*	3/1998	Lin	227/120
D396,622	S	*	8/1998	Hung	D8/107

D419,048	S	*	1/2000	Batts, Jr. et al.	D8/68
D431,989	S	*	10/2000	Lai	D8/83
D433,908	S	*	11/2000	Kaiser	D8/69
D459,185	S	*	6/2002	Buck	D8/69
D460,676	S	*	7/2002	Lin	D8/107

* cited by examiner

Primary Examiner—Doris V. Coles
Assistant Examiner—T. Chase Nelson
(74) *Attorney, Agent, or Firm*—Charles E. Baxley

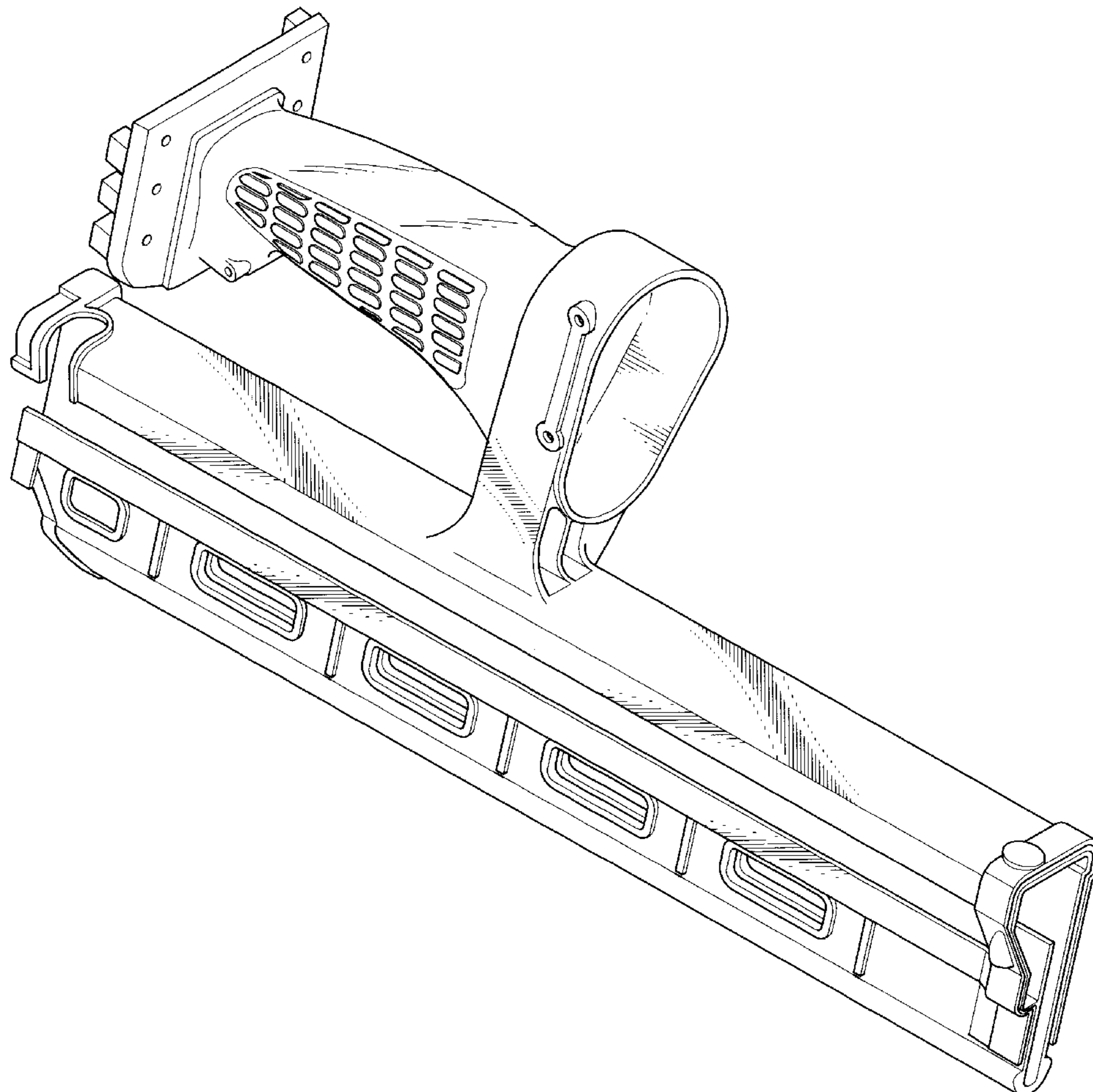
(57) **CLAIM**

The ornamental design for the handle of a pneumatic hammer, as shown and described.

DESCRIPTION

FIG. 1 is a front-right-top perspective view of the handle of a pneumatic hammer, showing my new design; FIG. 2 is a front elevational view thereof; FIG. 3 is a rear elevational view thereof; FIG. 4 is a left elevational view thereof; FIG. 5 is a right elevational view thereof; FIG. 6 is a top plan view thereof; and, FIG. 7 is a bottom plan view thereof.

1 Claim, 4 Drawing Sheets



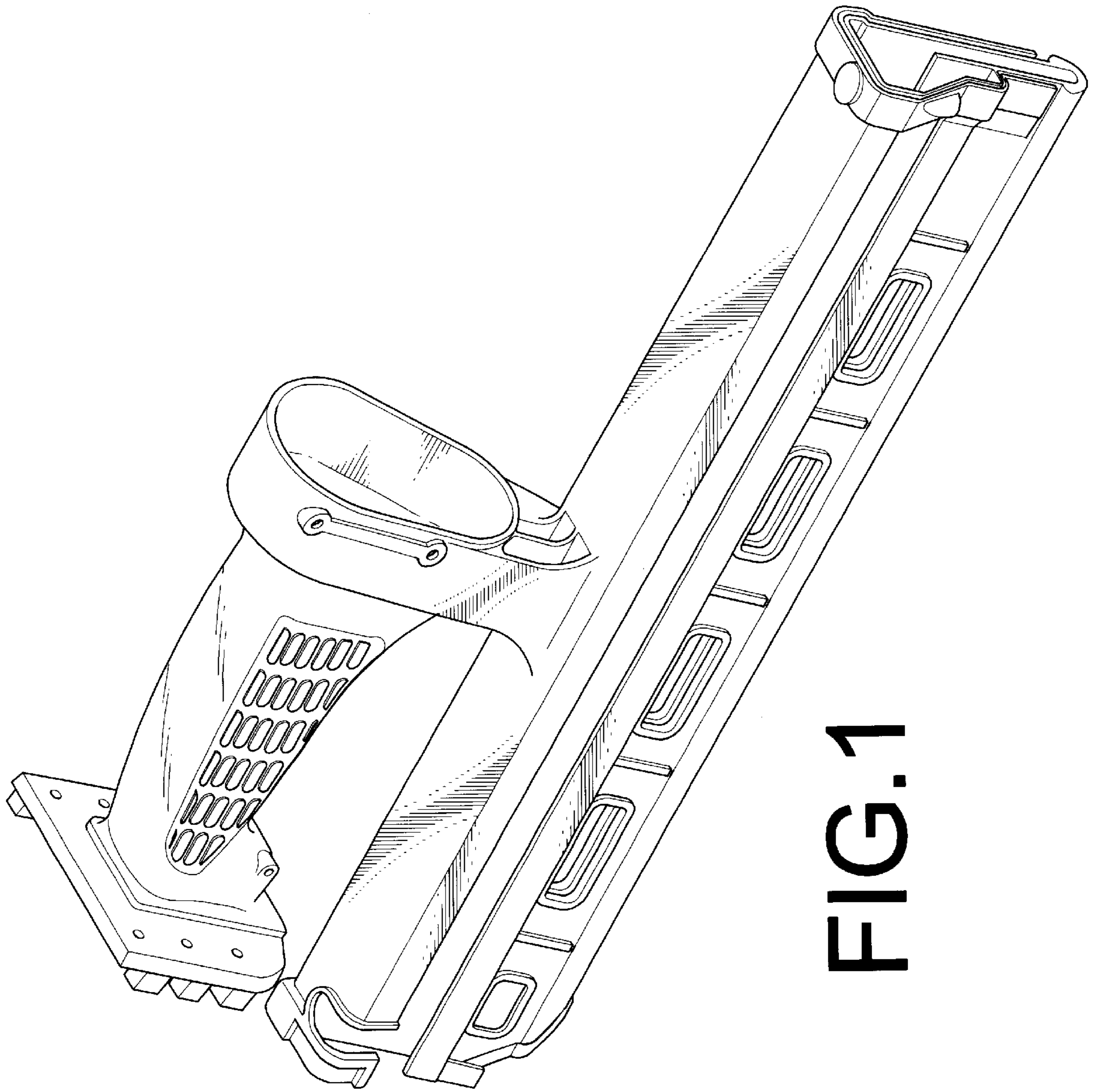


FIG. 1

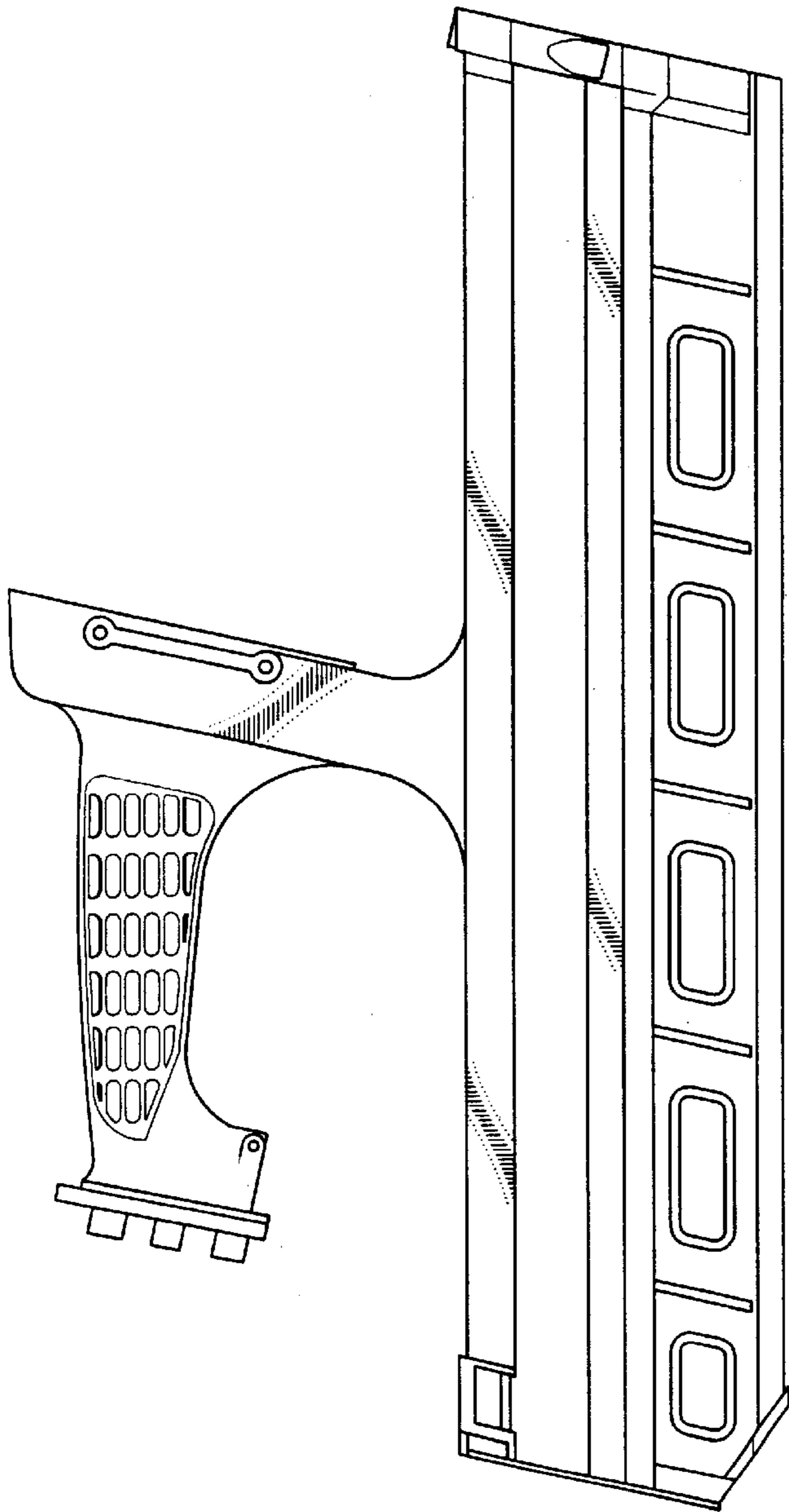


FIG. 2

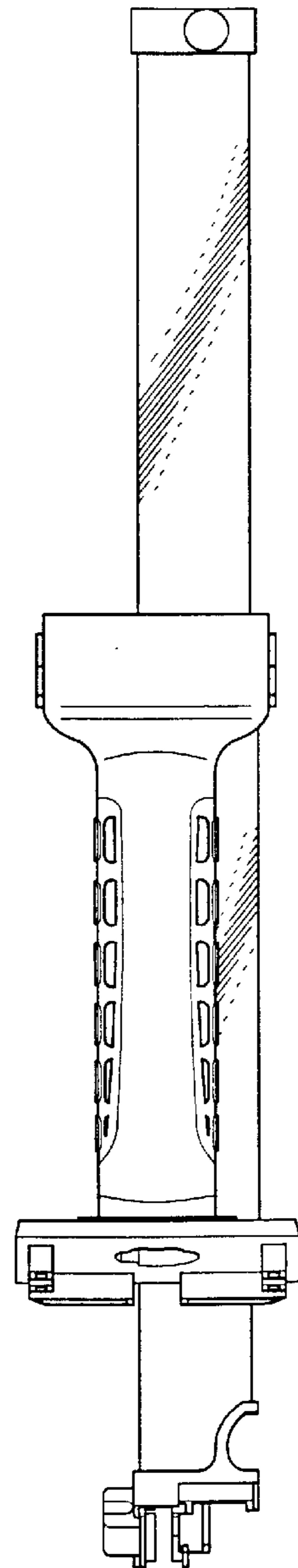


FIG. 6

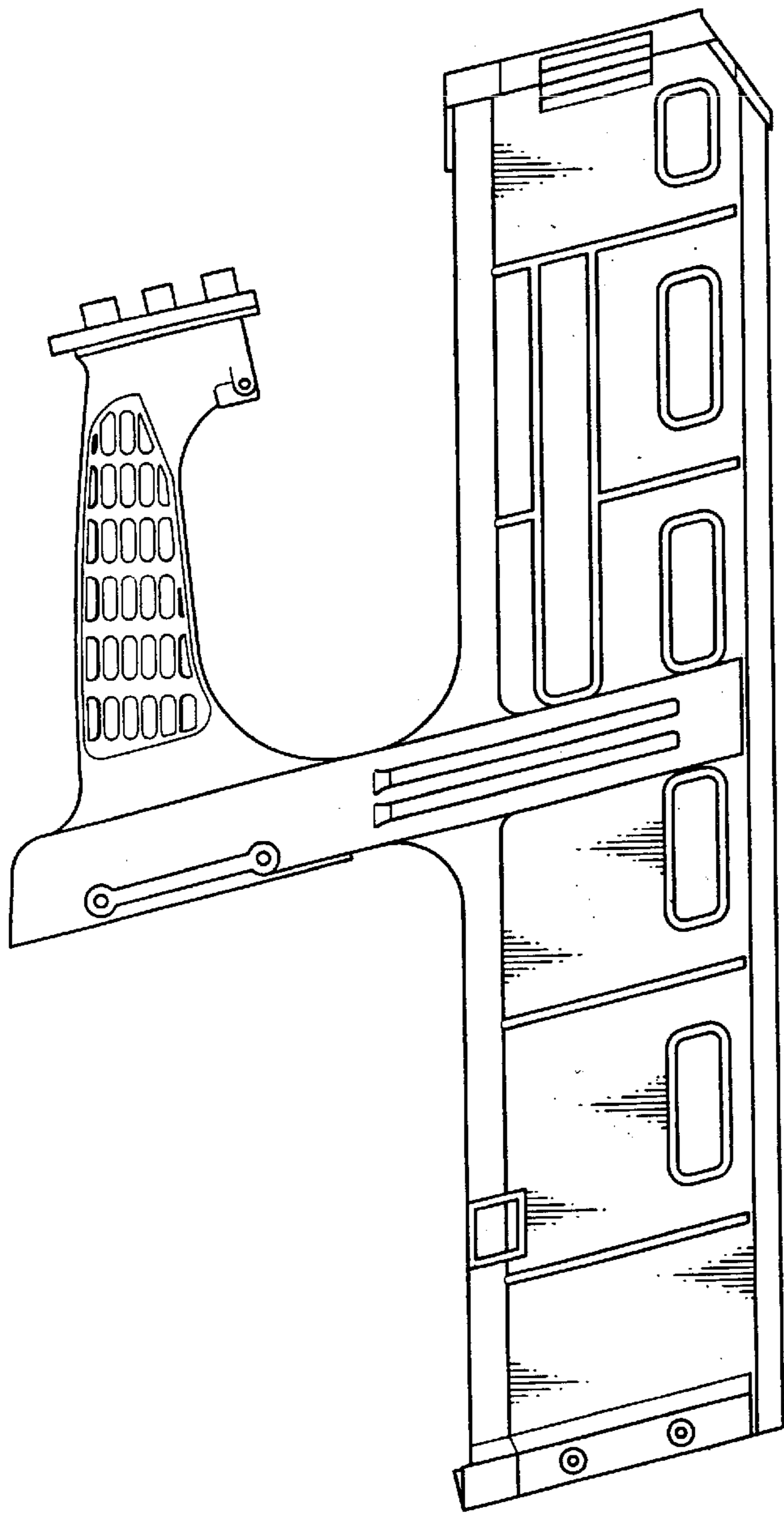


FIG. 3

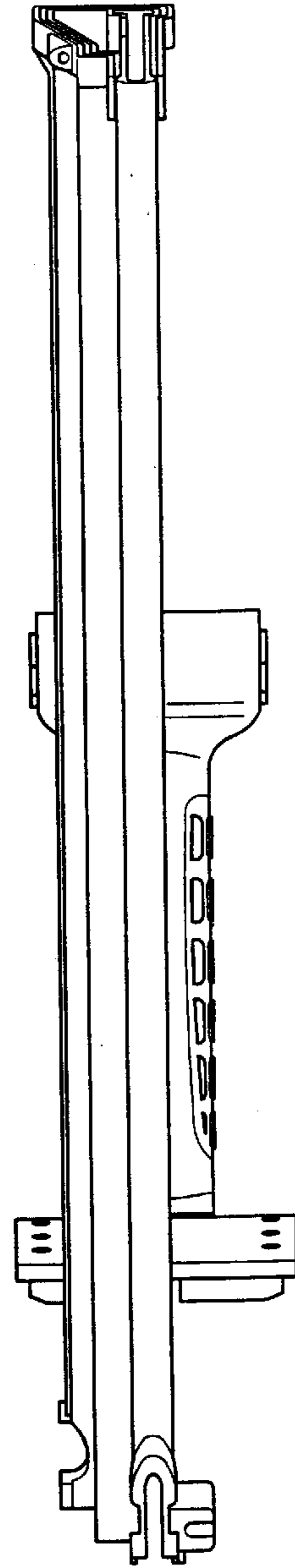


FIG. 7

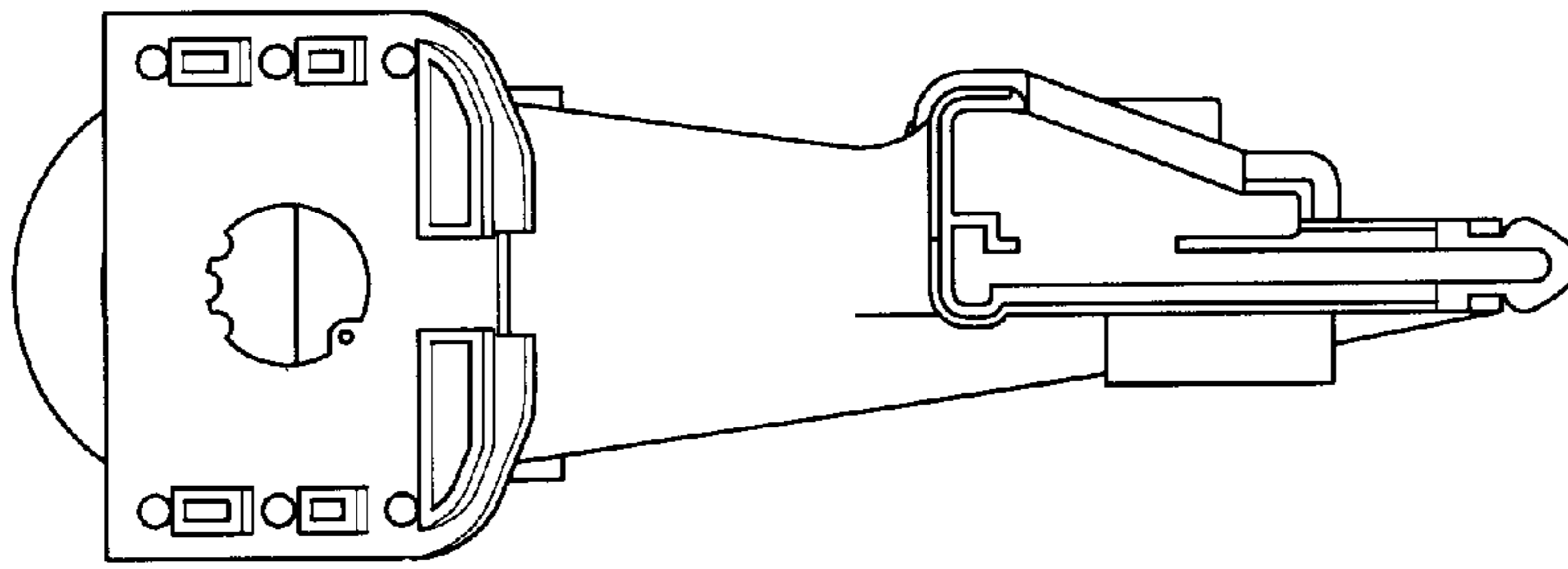


FIG. 4

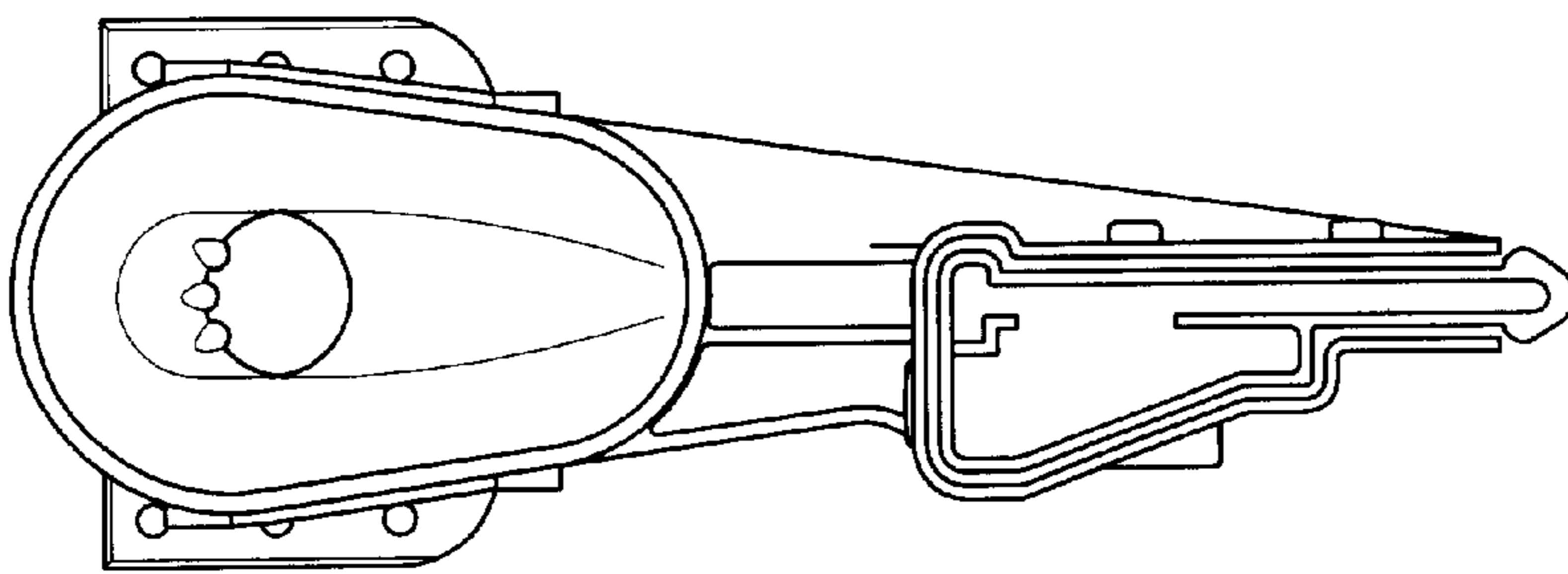


FIG. 5