



US00D476871S

(12) **United States Design Patent**
Santarsiero et al.

(10) **Patent No.:** **US D476,871 S**

(45) **Date of Patent:** **** Jul. 8, 2003**

(54) **JIGSAW**

(75) Inventors: **Paul Santarsiero**, Avon, CT (US);
Robert Bruno, Avon, CT (US);
Christopher Switalski, Suffield, CT
(US); **Robert Pjevach**, Lindenhurst, IL
(US); **Todd LiPetri**, Naperville, IL
(US)

(73) Assignee: **S-B Power Tool Corporation**, Chicago,
IL (US)

(**) Term: **14 Years**

(21) Appl. No.: **29/170,155**

(22) Filed: **Nov. 2, 2002**

(51) **LOC (7) Cl.** **08-03**

(52) **U.S. Cl.** **D8/64**

(58) **Field of Search** D7/379; D8/61,
D8/64, 65, 66, 67, 69; 30/166.3, 374, 375,
376, 377, 388, 390, 391, 392, 393, 394,
397; 83/397, 699.21; 409/180, 181, 182

(56) **References Cited**

U.S. PATENT DOCUMENTS

| | | | | |
|-------------|---|---------|-----------------|--------|
| 3,863,342 A | * | 2/1975 | Griffies et al. | 30/393 |
| 3,942,251 A | * | 3/1976 | Griffies et al. | 30/376 |
| 4,693,009 A | * | 9/1987 | Bone | 30/392 |
| D329,005 S | * | 9/1992 | Hoshino et al. | D8/69 |
| D337,709 S | * | 7/1993 | Ogawa et al. | D8/64 |
| D362,783 S | * | 10/1995 | Cruz | D7/379 |

| | | | | |
|-------------|---|---------|------------------|--------|
| 5,634,277 A | * | 6/1997 | Wada et al. | 30/392 |
| D404,274 S | * | 1/1999 | Ogasawara et al. | D8/64 |
| D409,469 S | * | 5/1999 | Niwa et al. | D8/69 |
| D414,094 S | * | 9/1999 | Heun | D8/64 |
| 5,987,758 A | * | 11/1999 | McCurry et al. | 30/392 |
| D418,010 S | * | 12/1999 | Chan | D7/379 |
| D440,474 S | * | 4/2001 | Heun | D8/64 |
| D451,356 S | * | 12/2001 | Pretzell | D8/64 |
| D463,963 S | | 10/2002 | Metaxatos et al. | |

* cited by examiner

Primary Examiner—Doris V. Coles

Assistant Examiner—Elizabeth Albert

(74) *Attorney, Agent, or Firm*—Victor A. Henzi

(57) **CLAIM**

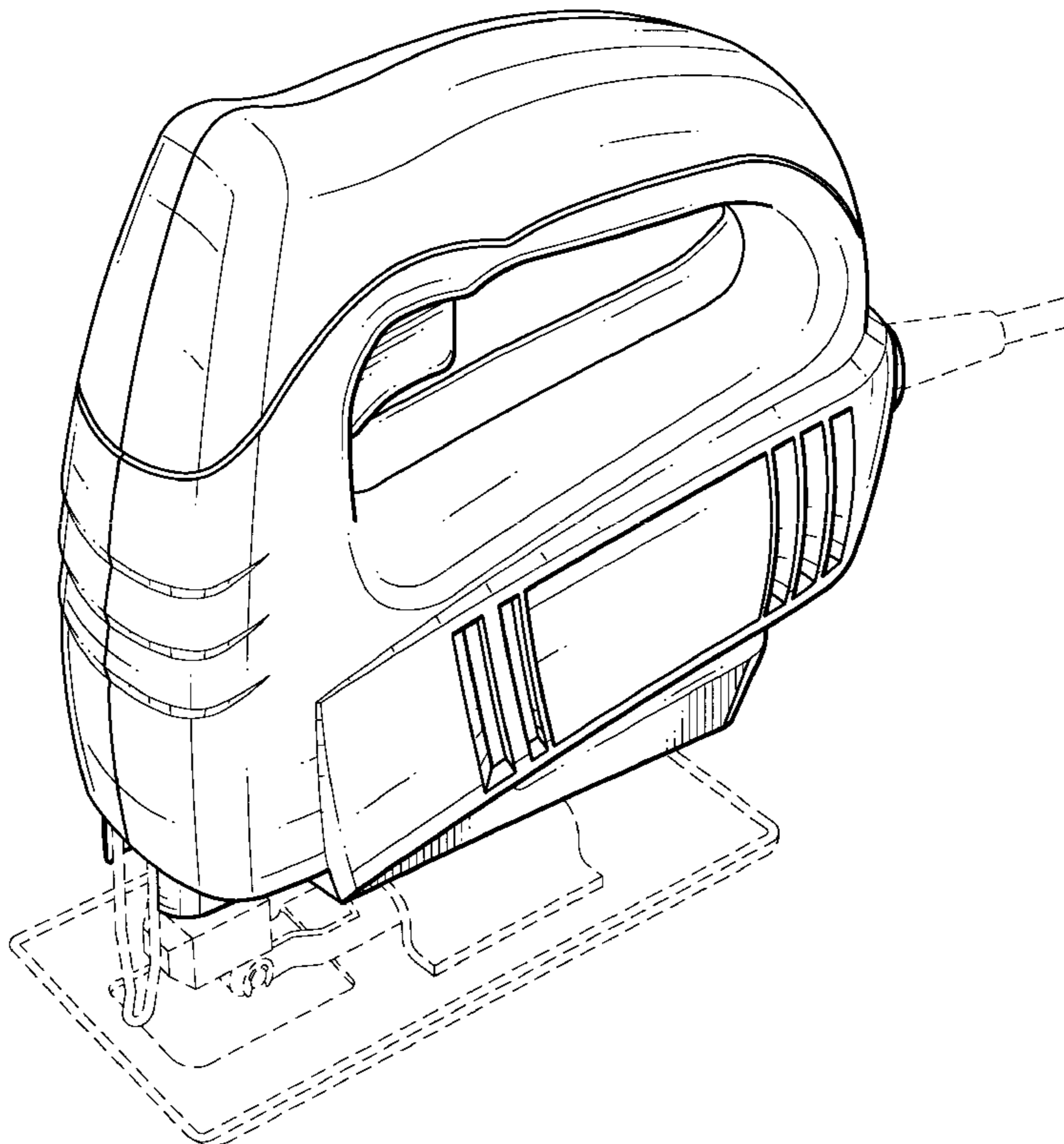
The ornamental design for a jigsaw, as shown and described.

DESCRIPTION

FIG. 1 is a front perspective view of the present new design for a jigsaw;
FIG. 2 is a left side view thereof;
FIG. 3 is a right side view thereof;
FIG. 4 is a front view thereof;
FIG. 5 is a rear view thereof;
FIG. 6 is top view thereof; and,
FIG. 7 is a bottom view thereof.

The broken lines showing various features of a jigsaw are for illustrative purposes only and form no part of the claimed design.

1 Claim, 5 Drawing Sheets



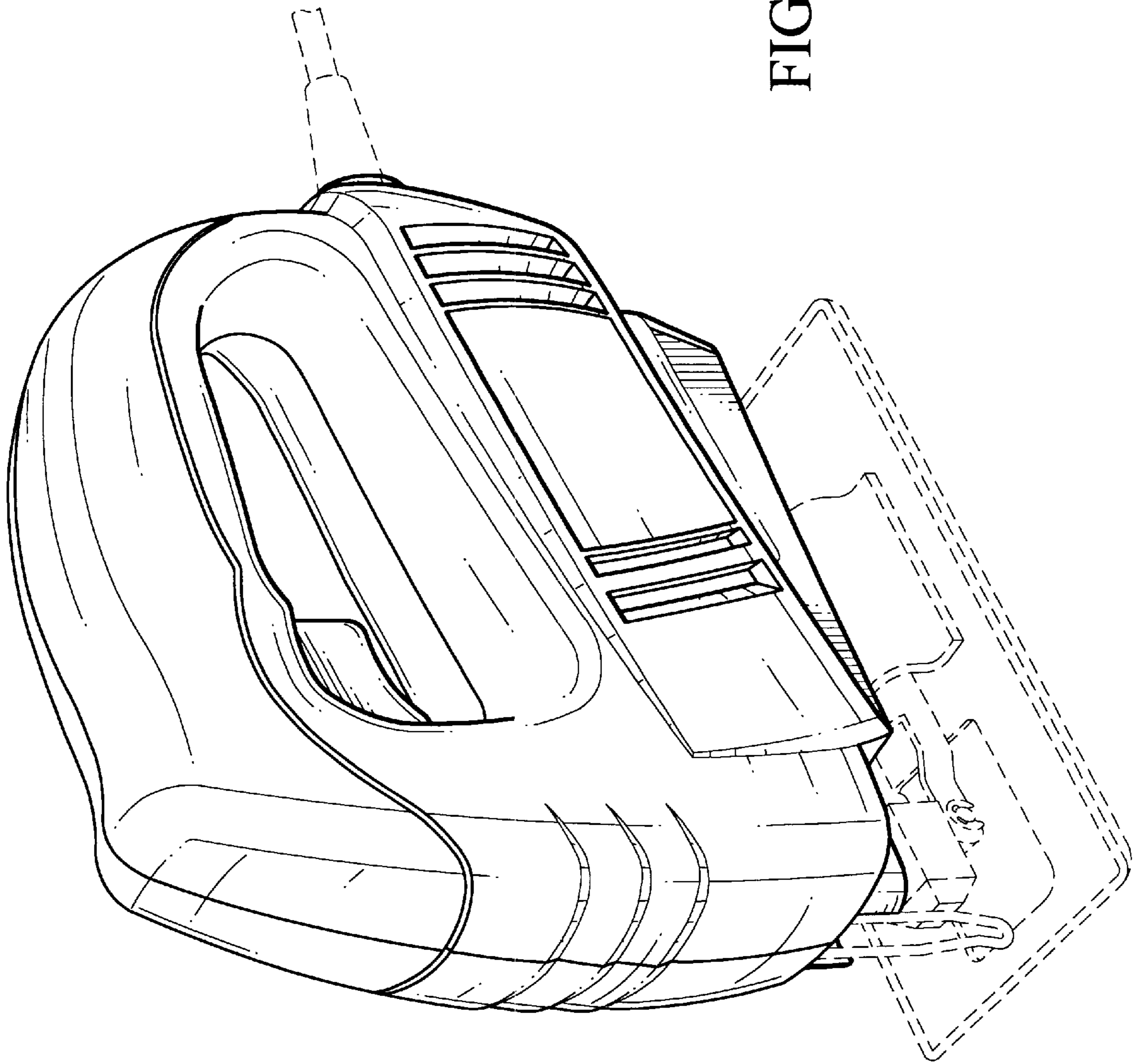


FIG. 1

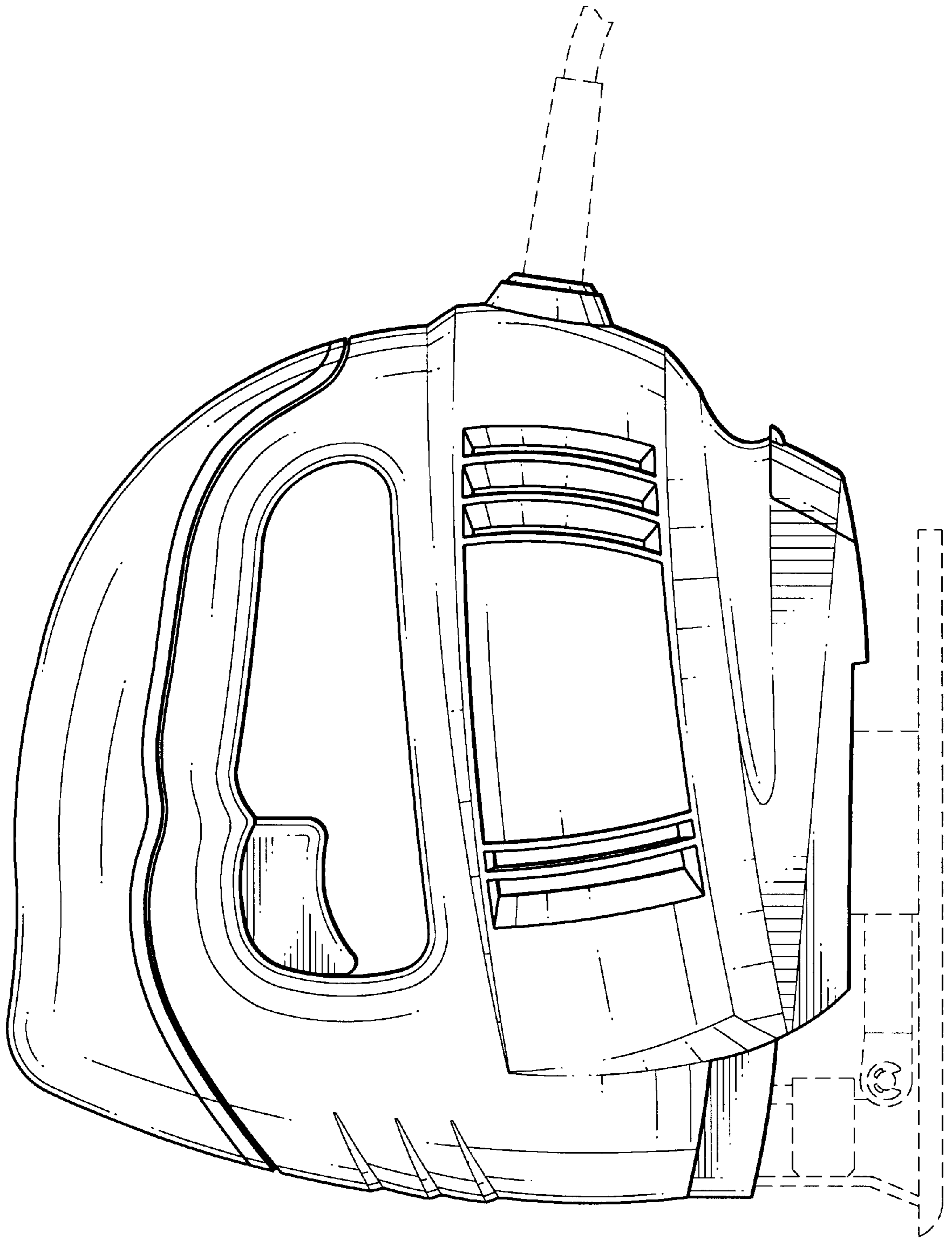


FIG. 2

FIG. 3

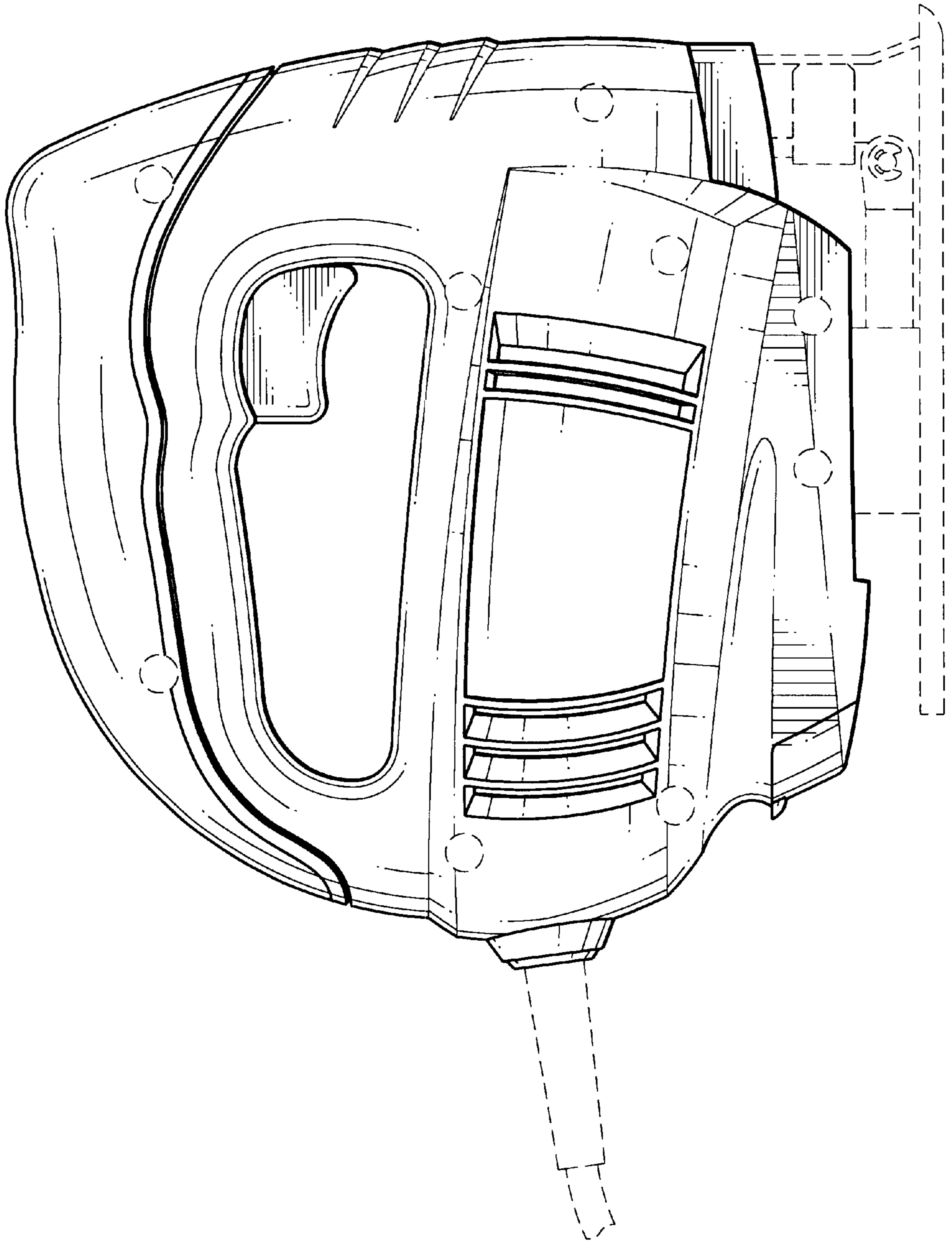


FIG. 5

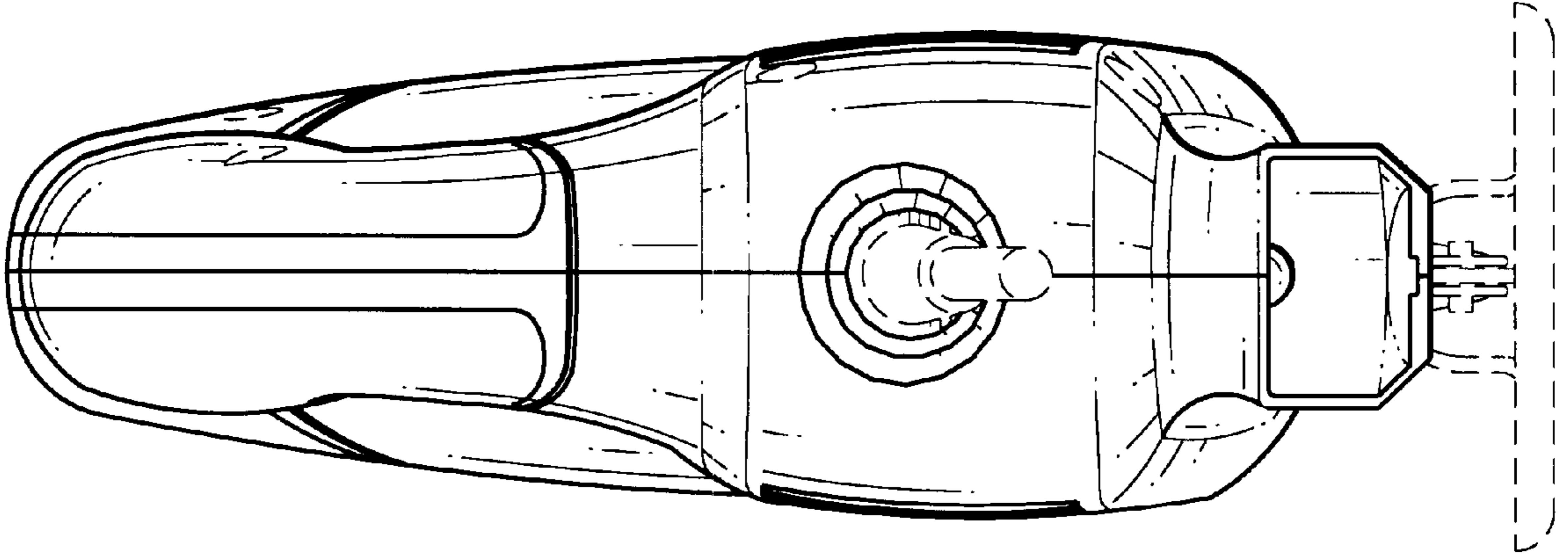


FIG. 4

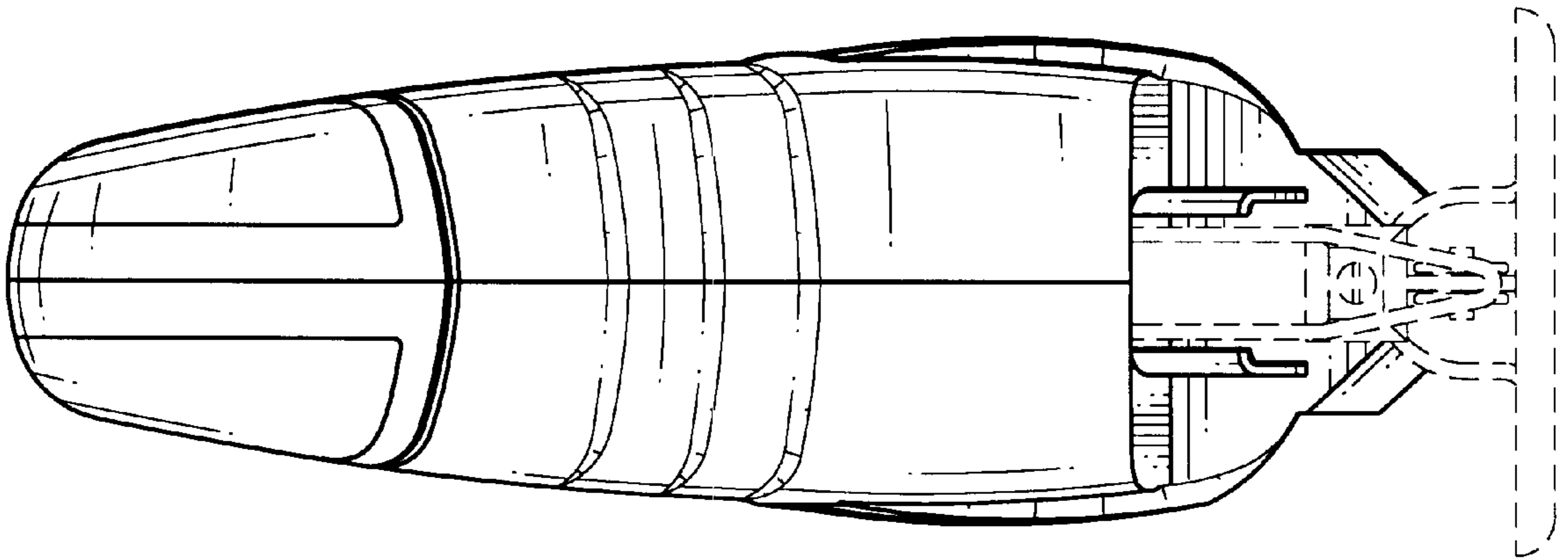


FIG. 6

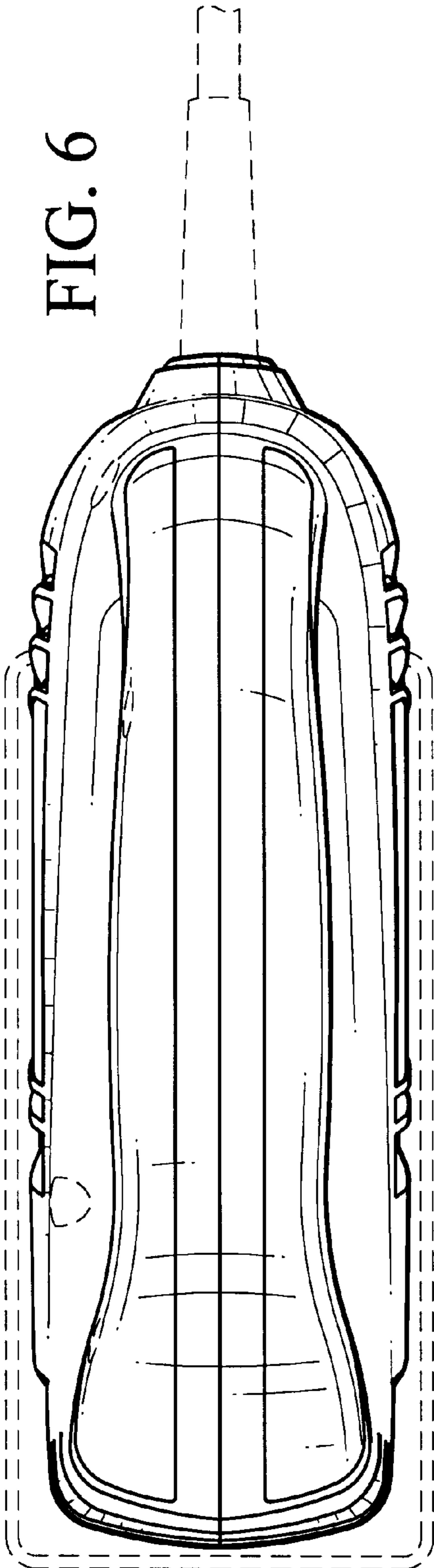


FIG. 7

