



US00D476870S

(12) **United States Design Patent**  
**Hayakawa et al.**

(10) **Patent No.:** **US D476,870 S**

(45) **Date of Patent:** **\*\* Jul. 8, 2003**

(54) **PORTABLE ELECTRIC DRILL**  
(75) Inventors: **Naohiro Hayakawa, Anjo (JP); Shinya Shimizu, Anjo (JP)**  
(73) Assignee: **Makita Corporation, Aichi-ken (JP)**  
(\*\*) Term: **14 Years**

D414,093 S 9/1999 Zurwelle  
6,102,632 A 8/2000 Potter et al.  
D438,077 S \* 2/2001 Schmid ..... D8/61  
D444,363 S 7/2001 Hayakawa et al.  
D447,029 S \* 8/2001 Sun et al. .... D8/61

\* cited by examiner

*Primary Examiner*—Doris V. Coles  
*Assistant Examiner*—Elizabeth Albert  
(74) *Attorney, Agent, or Firm*—Dennison, Schultz & Dougherty

(21) Appl. No.: **29/172,789**  
(22) Filed: **Dec. 18, 2002**

(30) **Foreign Application Priority Data**

Jul. 11, 2002 (JP) ..... 2002-021926

(51) **LOC (7) Cl.** ..... **08-01**  
(52) **U.S. Cl.** ..... **D8/61**  
(58) **Field of Search** ..... D8/61, 62, 64;  
81/54, 57.11, 57.13, 57.14; 173/13, 15,  
47, 48, 168, 169, 170, 216, 217, 221; 310/47,  
50; 408/110, 112, 113, 124, 239 R, 241 R,  
241 S

(57) **CLAIM**

The ornamental design for a portable electric drill, as shown and described.

**DESCRIPTION**

FIG. 1 is a perspective view of a portable electric drill showing our new design;  
FIG. 2 is a front elevation view thereof;  
FIG. 3 is a rear elevation view thereof;  
FIG. 4 is a left side elevation view thereof;  
FIG. 5 is a right side elevation view thereof;  
FIG. 6 is a top plan view thereof; and,  
FIG. 7 is a bottom plan view thereof.

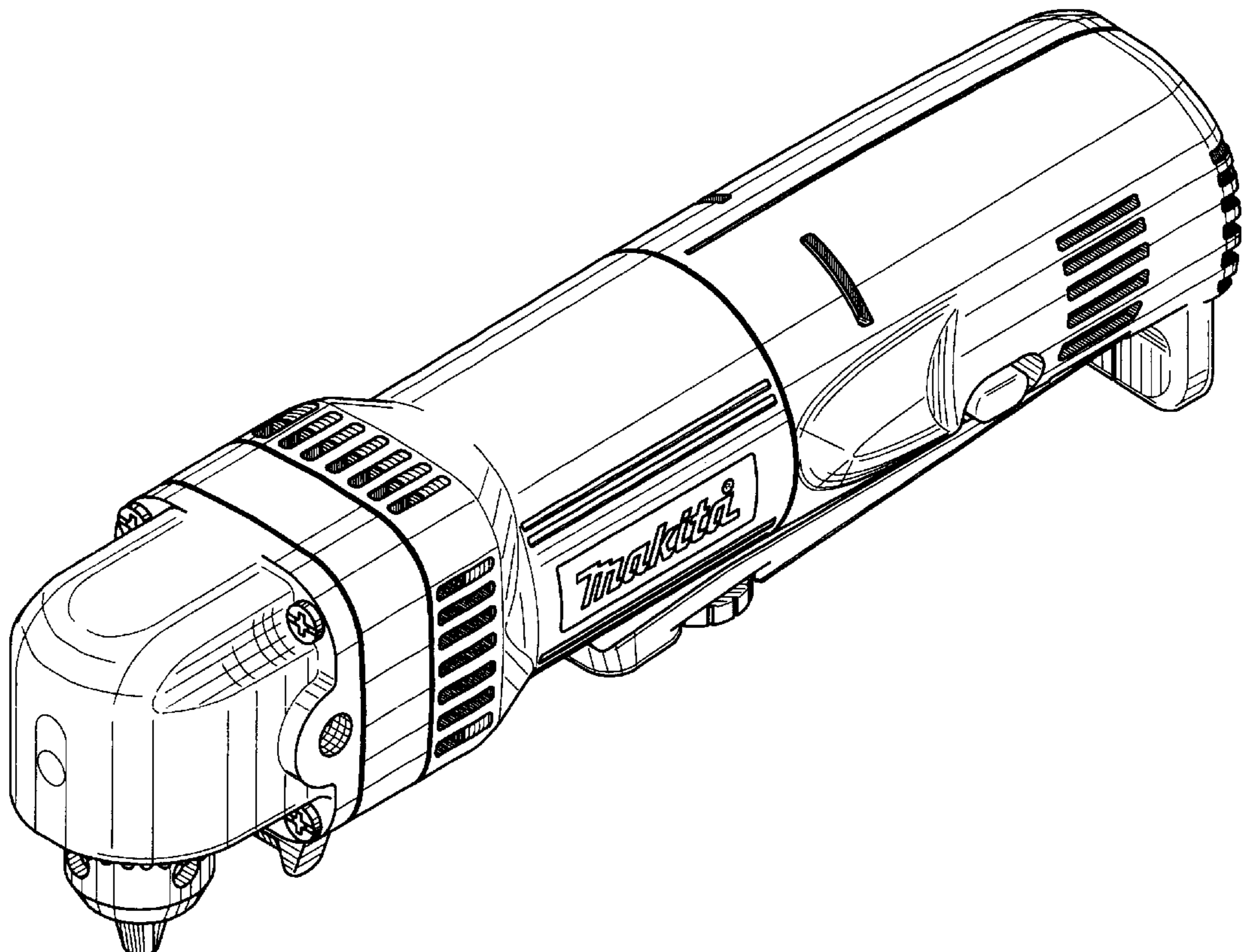
The trademark Makita® forming part of the claimed design is a registered trademark of the Makita Corporation.

(56) **References Cited**

**U.S. PATENT DOCUMENTS**

D104,623 S \* 5/1937 Decker ..... D8/61  
4,474,077 A \* 10/1984 Debelius ..... 74/606 R  
4,641,762 A \* 2/1987 Overy ..... 220/4.21  
D323,961 S 2/1992 Fushiya et al.

**1 Claim, 6 Drawing Sheets**



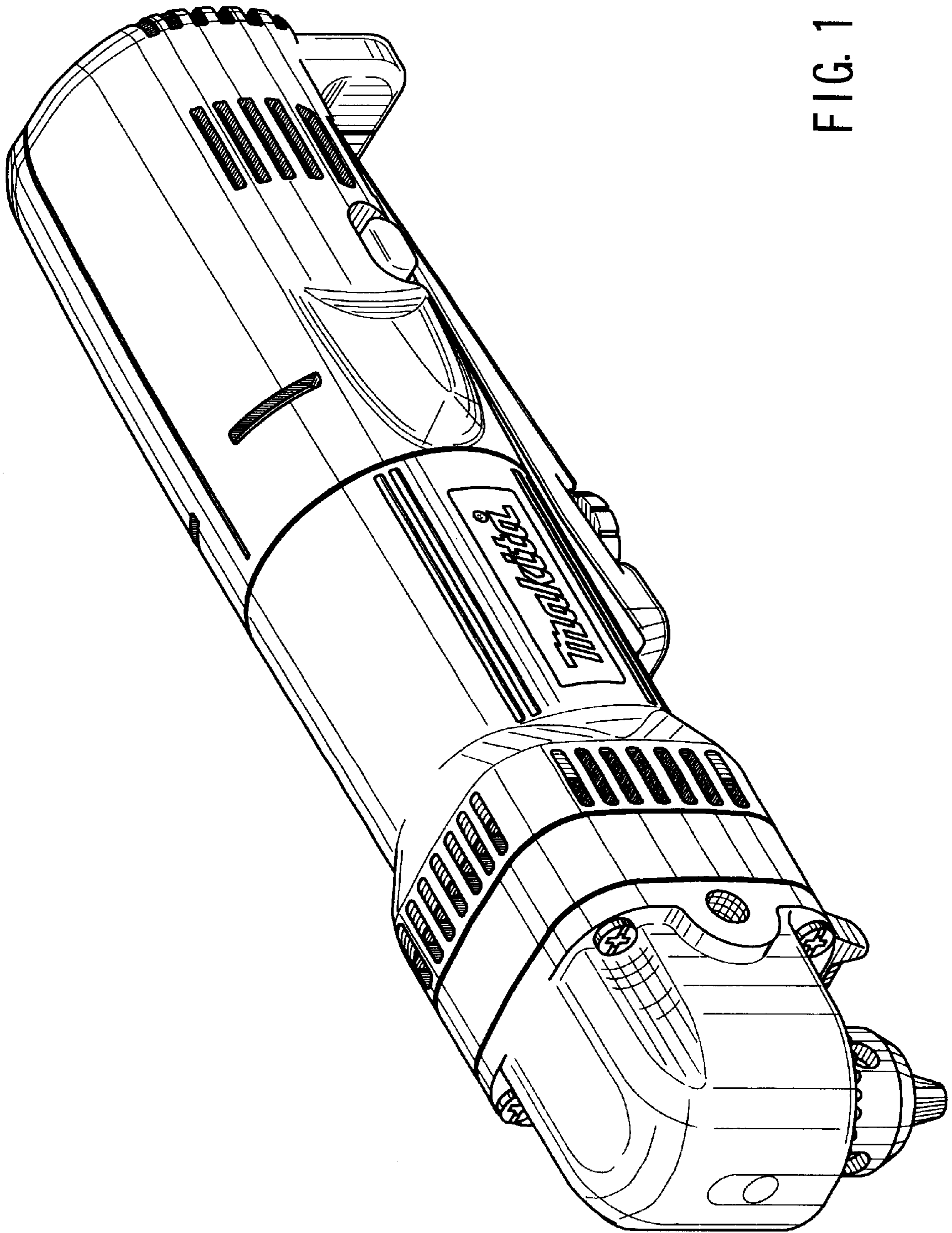


FIG. 1

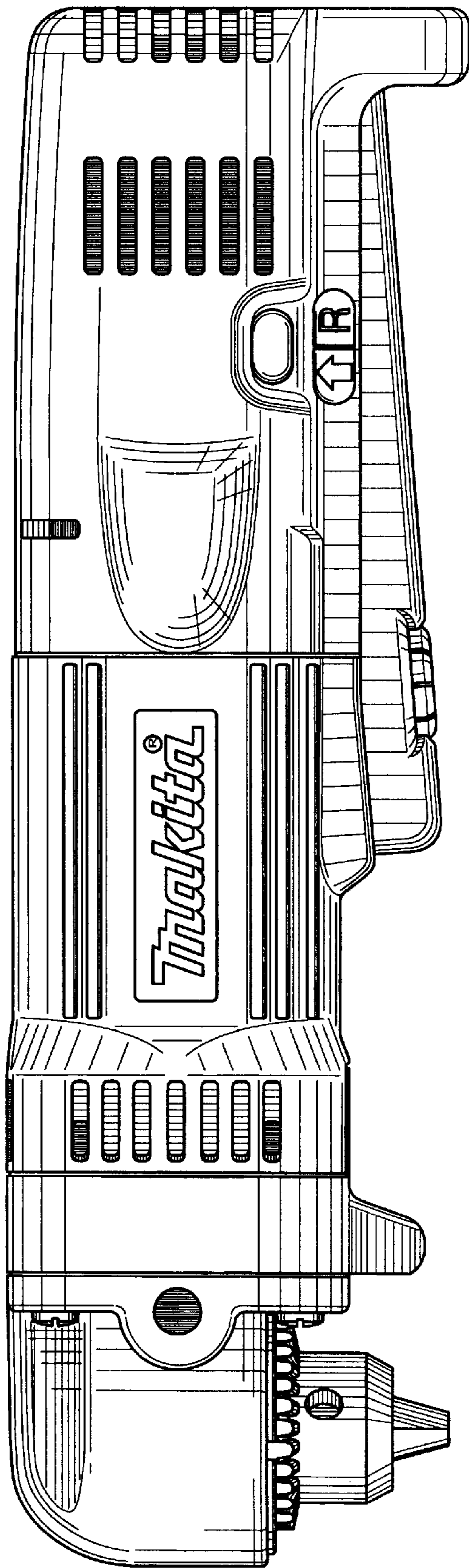


FIG. 2



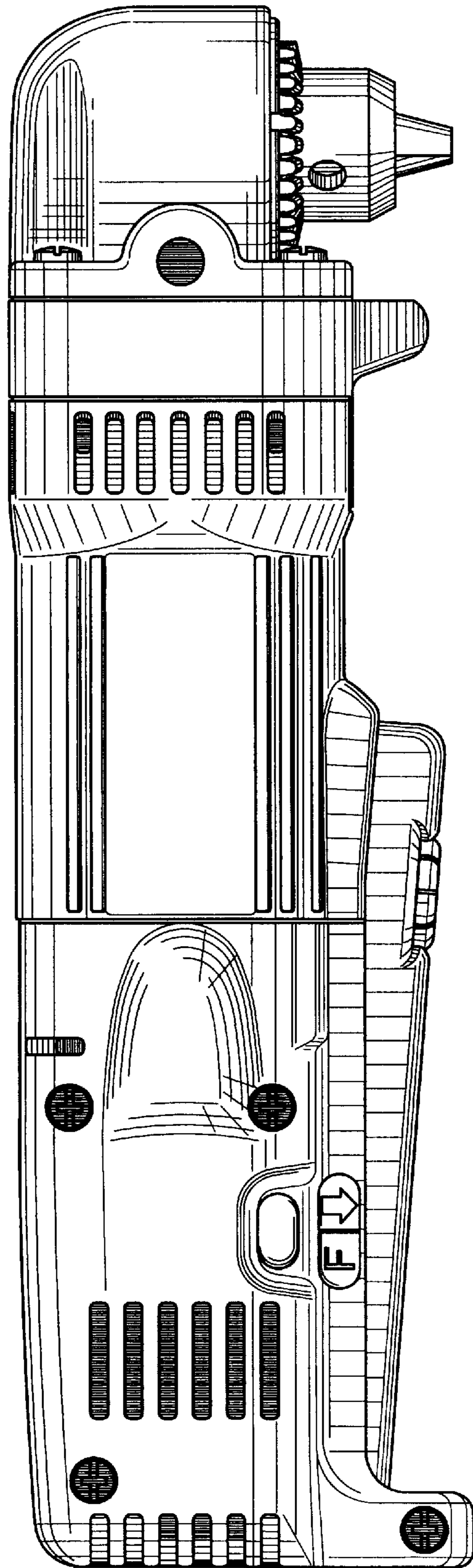


FIG. 3

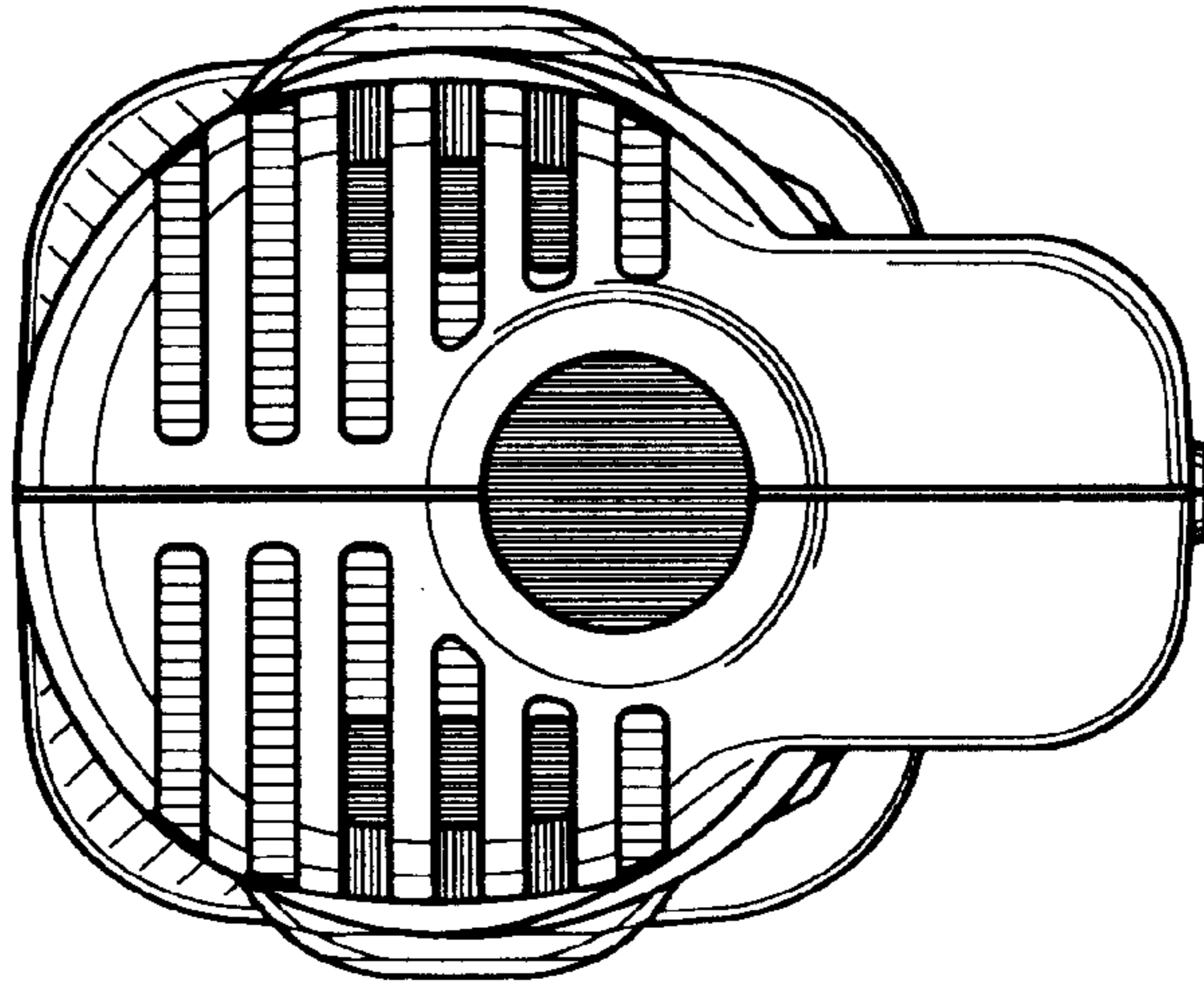


FIG. 5

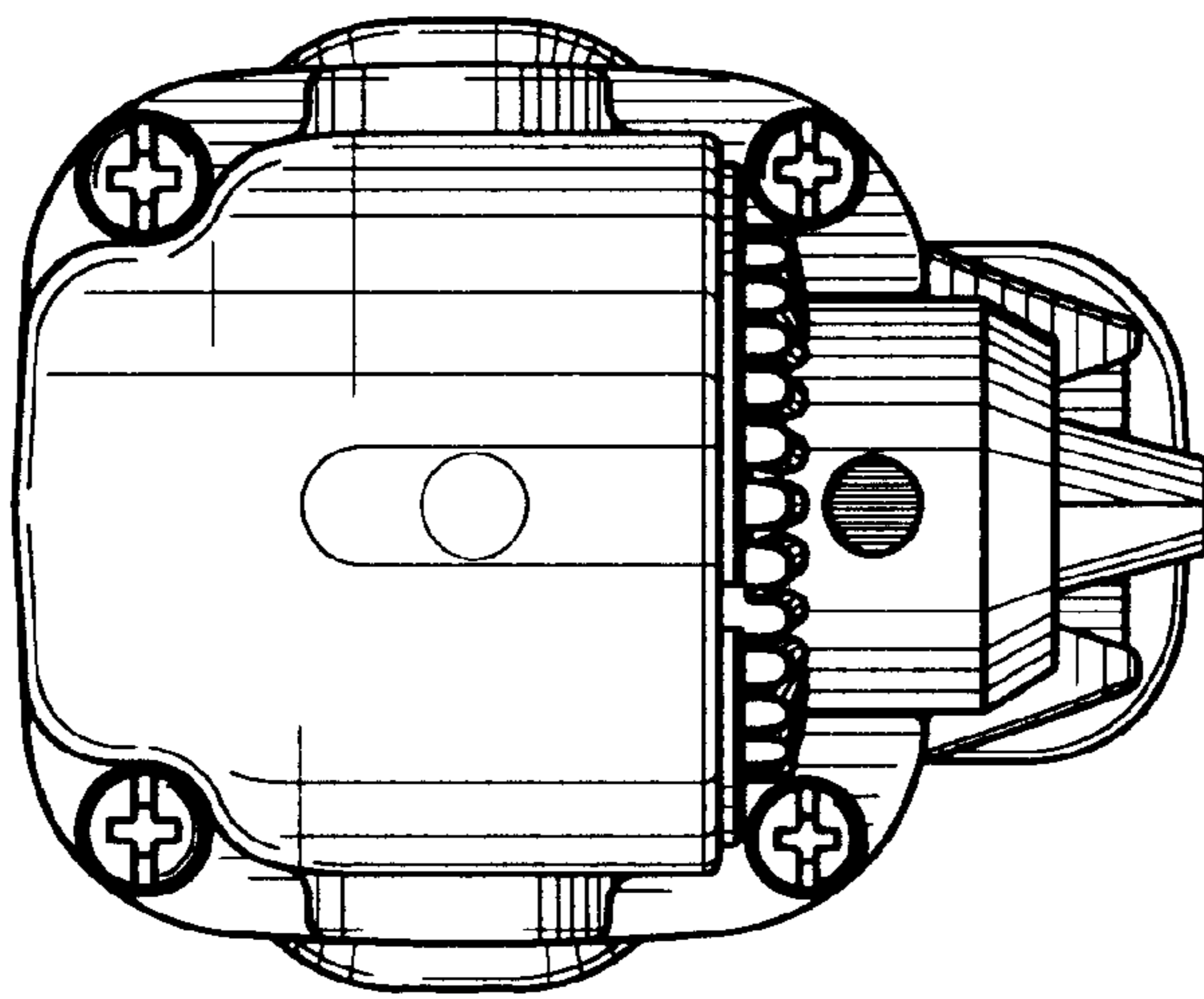


FIG. 4

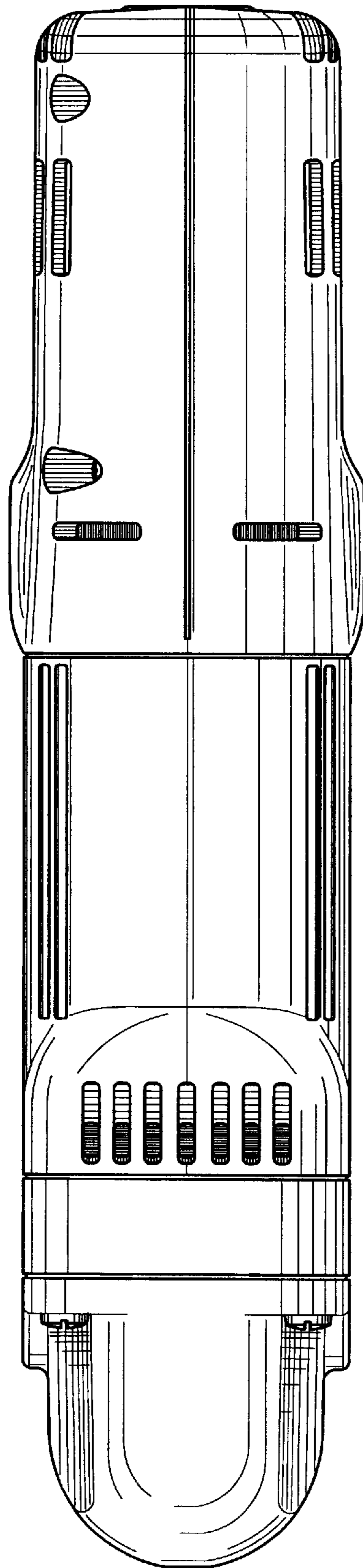


FIG. 6

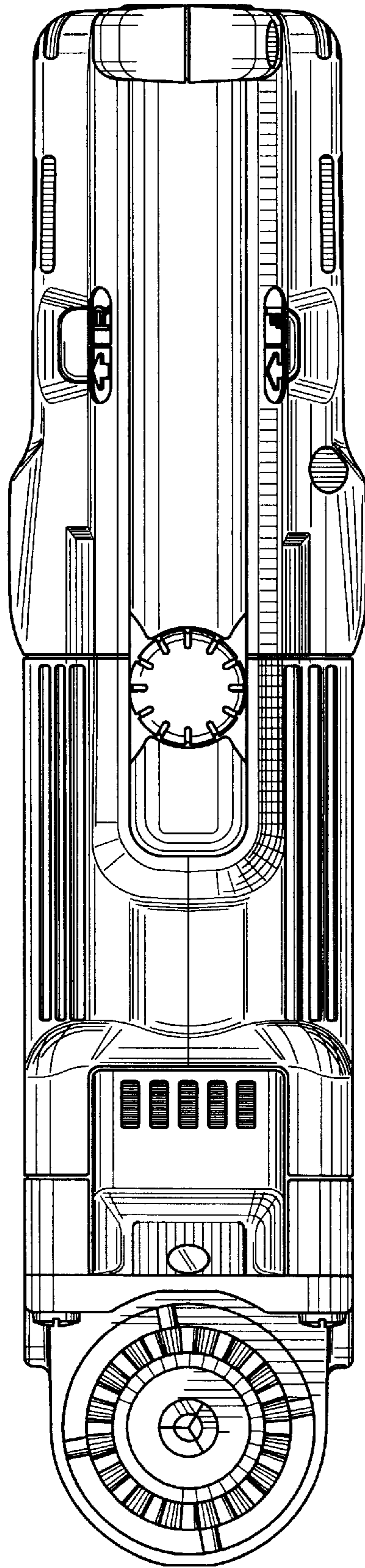


FIG. 7