



US00D476869S

(12) **United States Design Patent**
Wong

(10) **Patent No.:** **US D476,869 S**

(45) **Date of Patent:** **** Jul. 8, 2003**

(54) **ELECTRIC STAPLER**

D434,628 S * 12/2000 Etter et al. D8/69

(76) Inventor: **Frank Wong**, 631 S. Palm Ave.,
Alhambra, CA (US) 91803

* cited by examiner

Primary Examiner—Adir Aronovich

(**) Term: **14 Years**

(57) **CLAIM**

(21) Appl. No.: **29/148,425**

The ornamental design for an electric stapler, as shown.

(22) Filed: **Sep. 21, 2001**

DESCRIPTION

(51) **LOC (7) Cl.** **19-02**

FIG. 1 is a top view of an electric stapler showing my new design.

(52) **U.S. Cl.** **D8/49; D8/69**

FIG. 2 is a left side view of an electric stapler showing my new design.

(58) **Field of Search** D8/49, 50, 61,
D8/69; 227/120, 127, 128, 132, 134, 156

FIG. 3 is a right side view of an electric stapler showing my new design.

(56) **References Cited**

FIG. 4 is a bottom view of an electric stapler showing my new design.

U.S. PATENT DOCUMENTS

D210,978 S	*	5/1968	Preble	D8/49
D241,501 S	*	9/1976	Doyle et al.	D8/49
D266,221 S	*	9/1982	Ewig	D8/49
4,981,247 A	*	1/1991	Noll	227/156
5,025,970 A	*	6/1991	Anderson et al.	227/156
6,056,182 A	*	5/2000	Chen	227/127

FIG. 5 is a front view of an electric stapler showing my new design; and,

FIG. 6 is a back view of an electric stapler showing my new design.

1 Claim, 3 Drawing Sheets

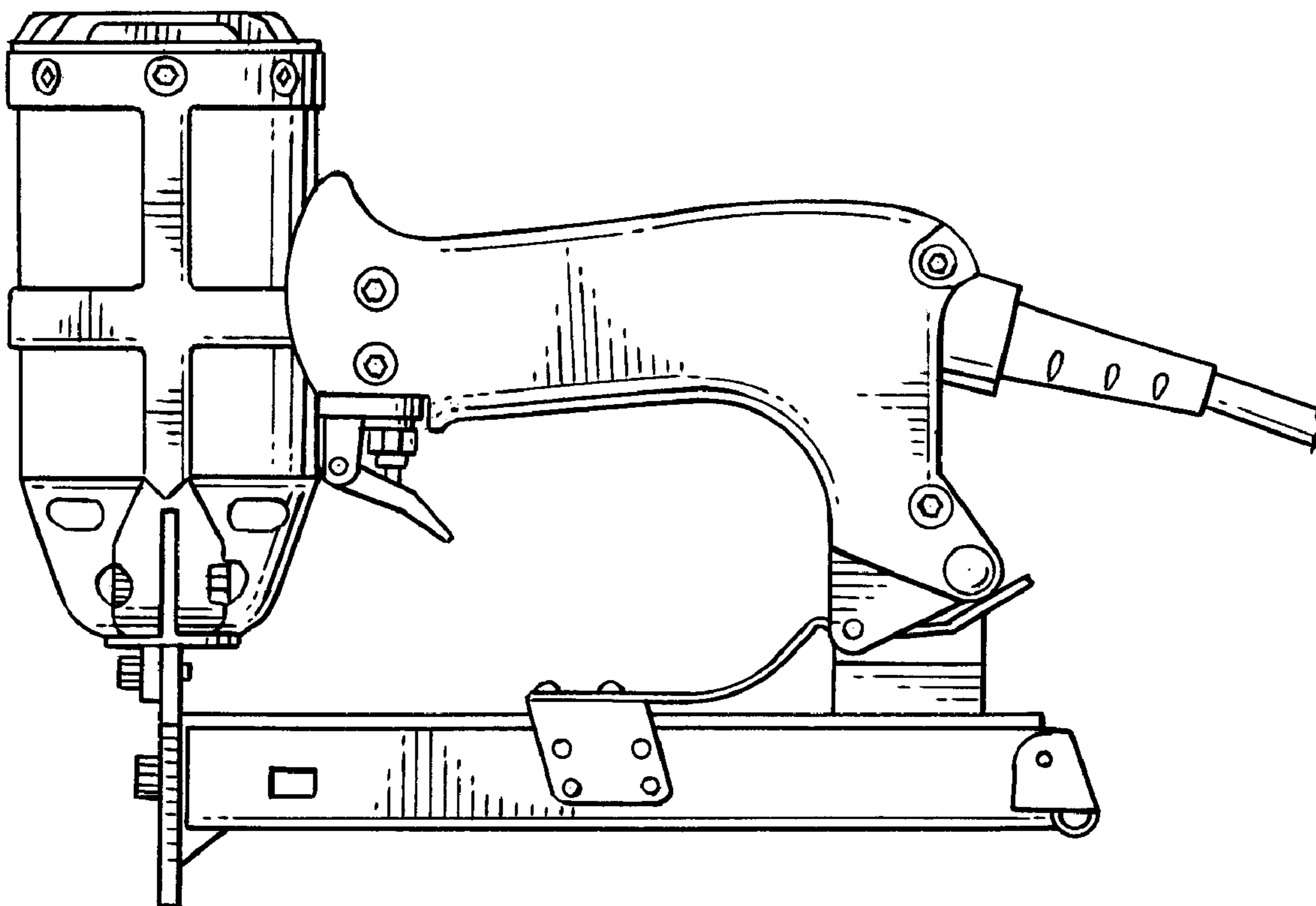


FIG. 1.

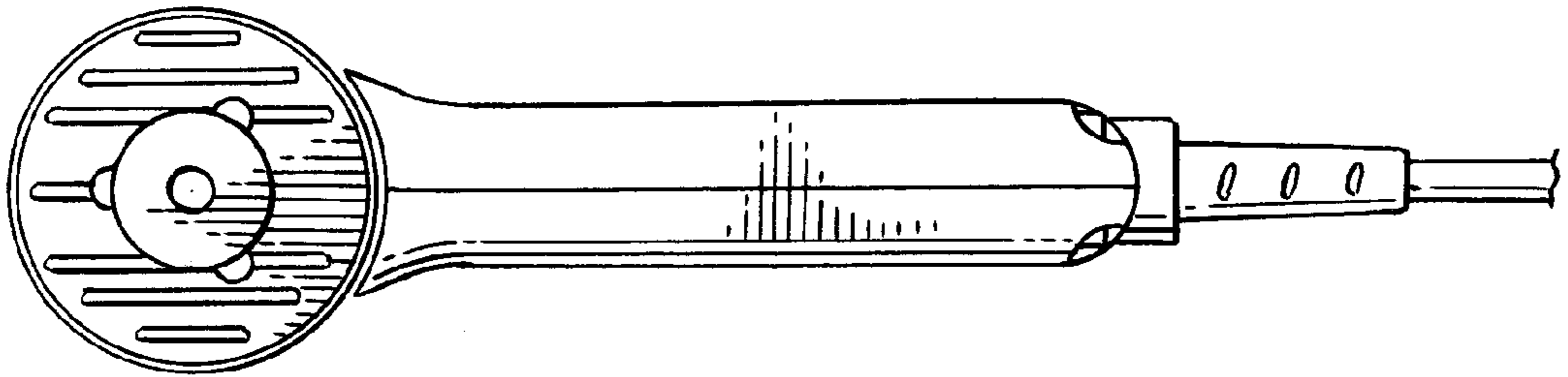


FIG. 2.

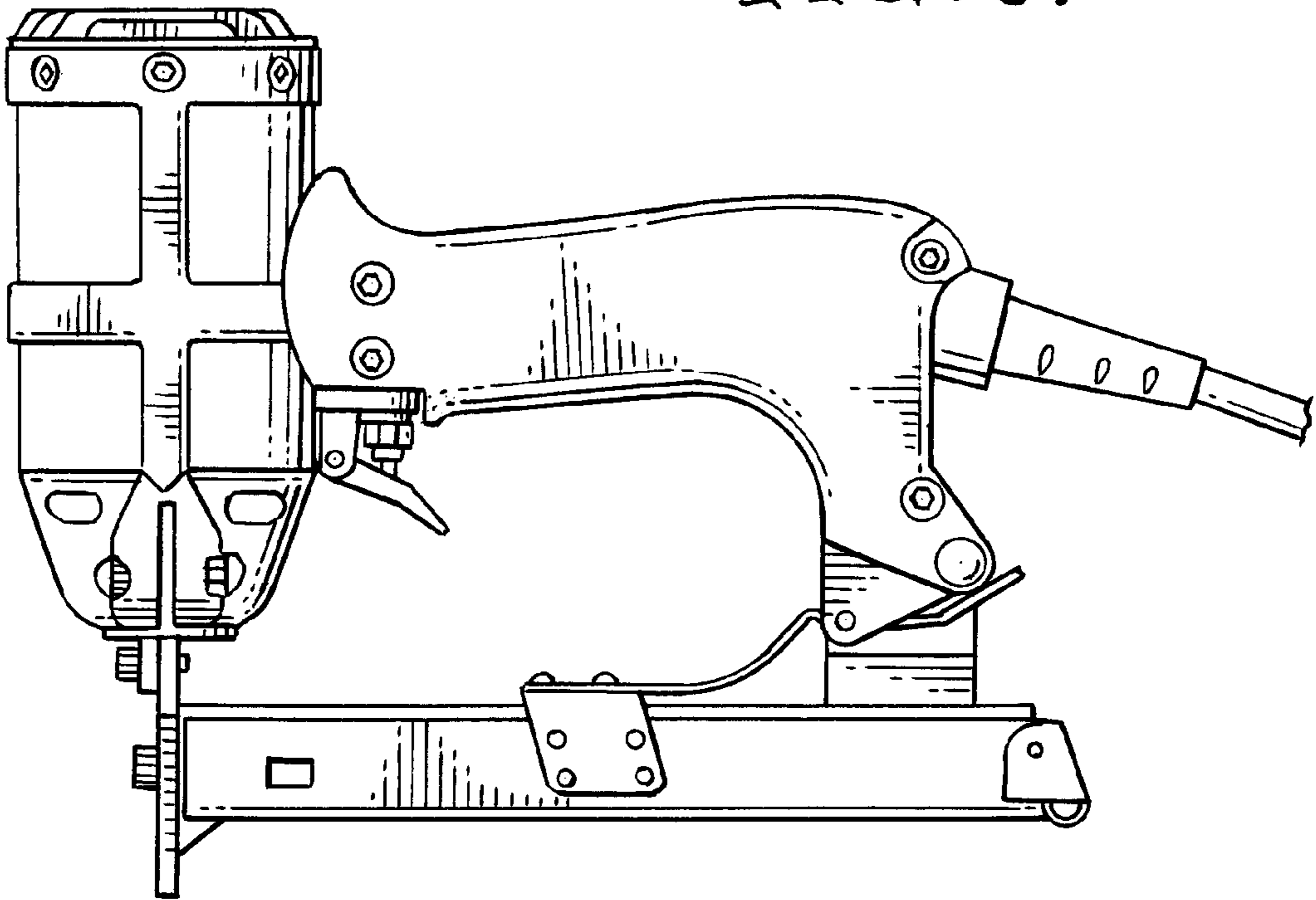


FIG. 3.

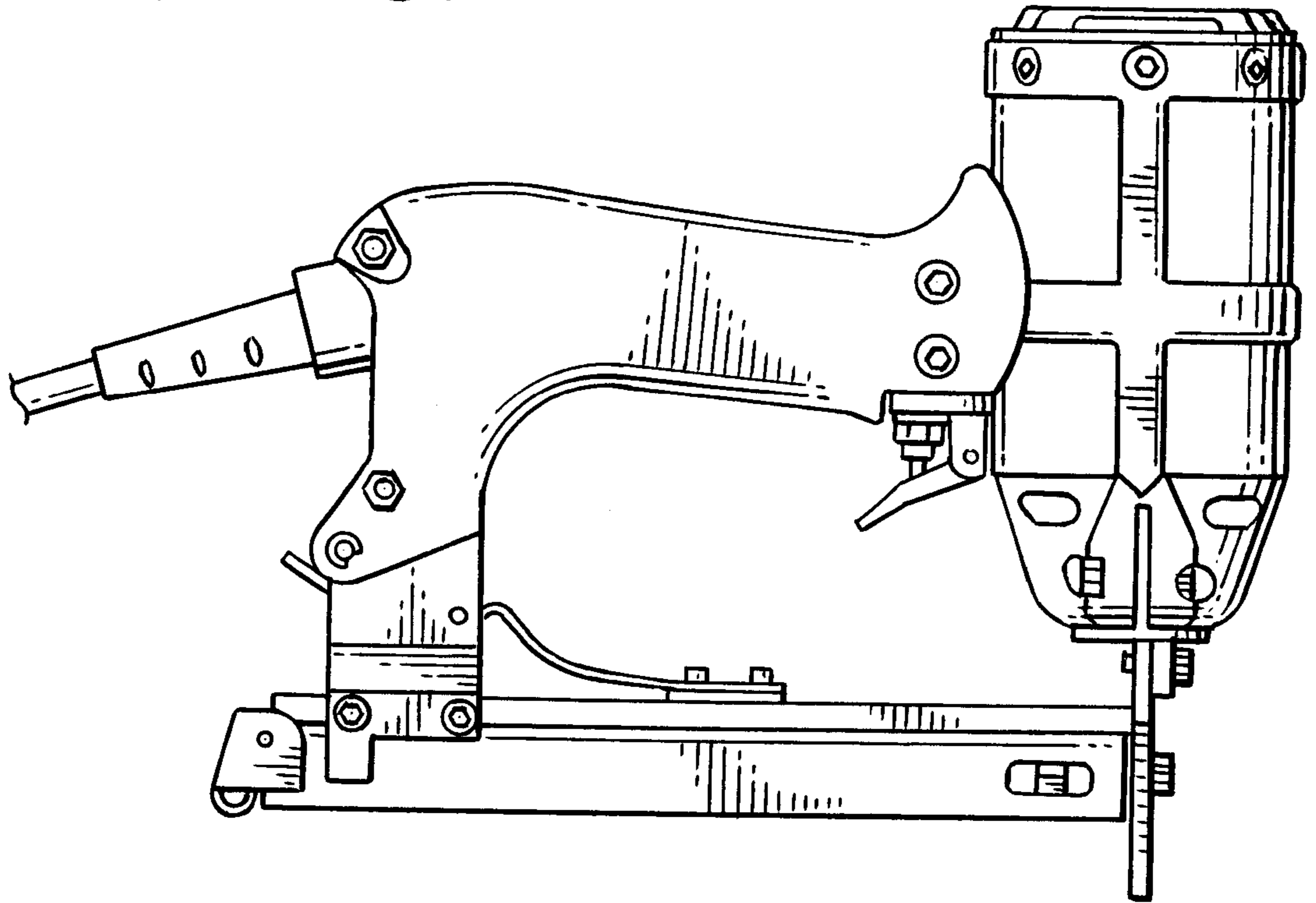


FIG. 4.

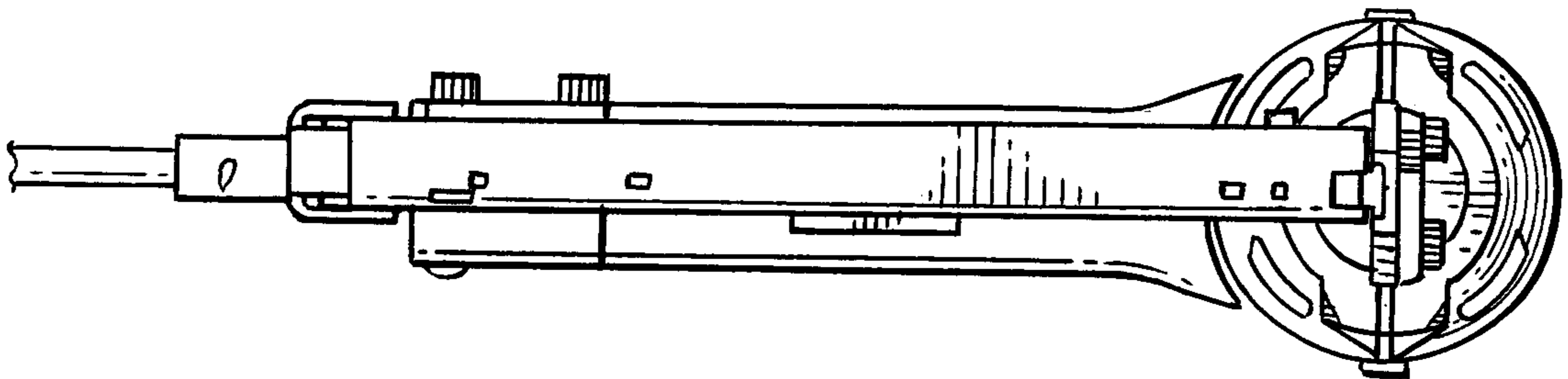


FIG. 5.

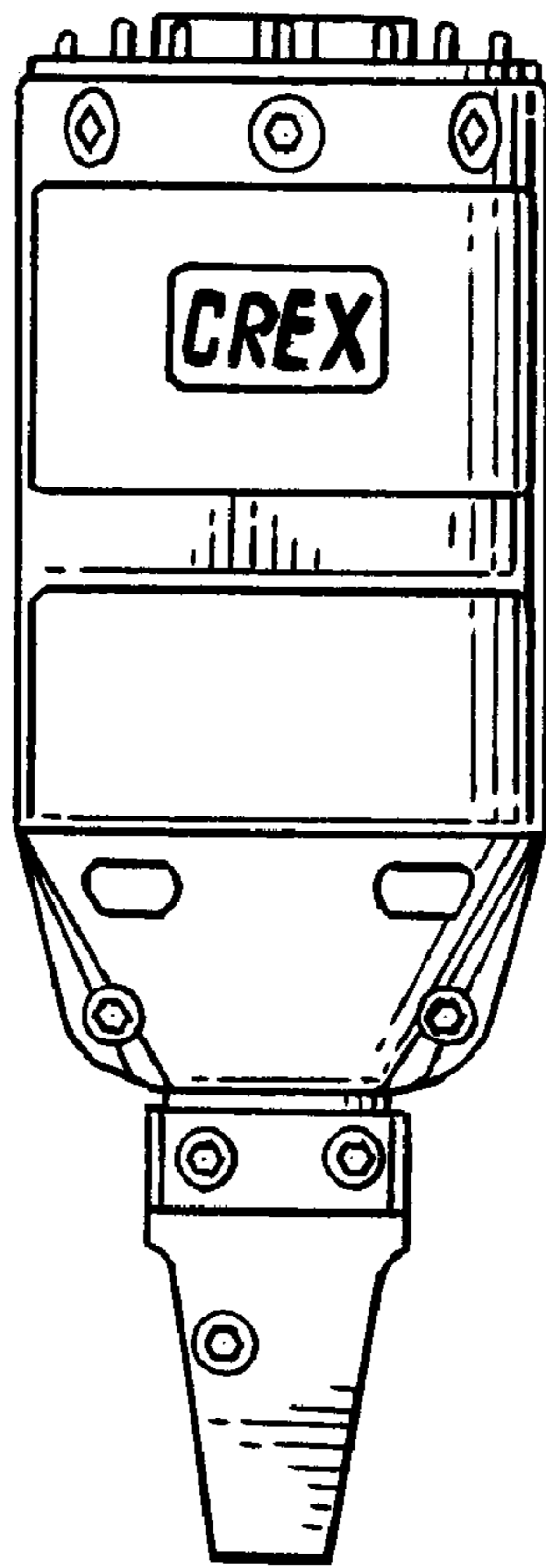


FIG. 6.

