



US00D476868S

(12) **United States Design Patent**
Wright et al.

(10) **Patent No.:** **US D476,868 S**

(45) **Date of Patent:** **** Jul. 8, 2003**

(54) **WRENCH**

(75) Inventors: **Richard B. Wright**, Akron, OH (US);
Kenneth R. Milligan, Akron, OH (US)

(73) Assignee: **Wright Tool Company, Inc.**,
Barberton, OH (US)

(**) Term: **14 Years**

(21) Appl. No.: **29/166,784**

(22) Filed: **Sep. 3, 2002**

(51) **LOC (7) Cl.** **08-05**

(52) **U.S. Cl.** **D8/28**

(58) **Field of Search** D8/17, 21-29;
81/119, 125.1, 124.7, 124.3, 186, 177.1

(56) **References Cited**

U.S. PATENT DOCUMENTS

5,148,726	A	*	9/1992	Huebschen et al.	81/186
D388,296	S	*	12/1997	Wei	D8/28
6,009,778	A	*	1/2000	Hsieh	81/119
D431,432	S	*	10/2000	Hsieh	D8/28
D451,352	S	*	12/2001	Wright	D8/28

* cited by examiner

Primary Examiner—Raphael Barkai
(74) *Attorney, Agent, or Firm*—D. Peter Hochberg;
Katherine R. Vieyra; Sean Mellino

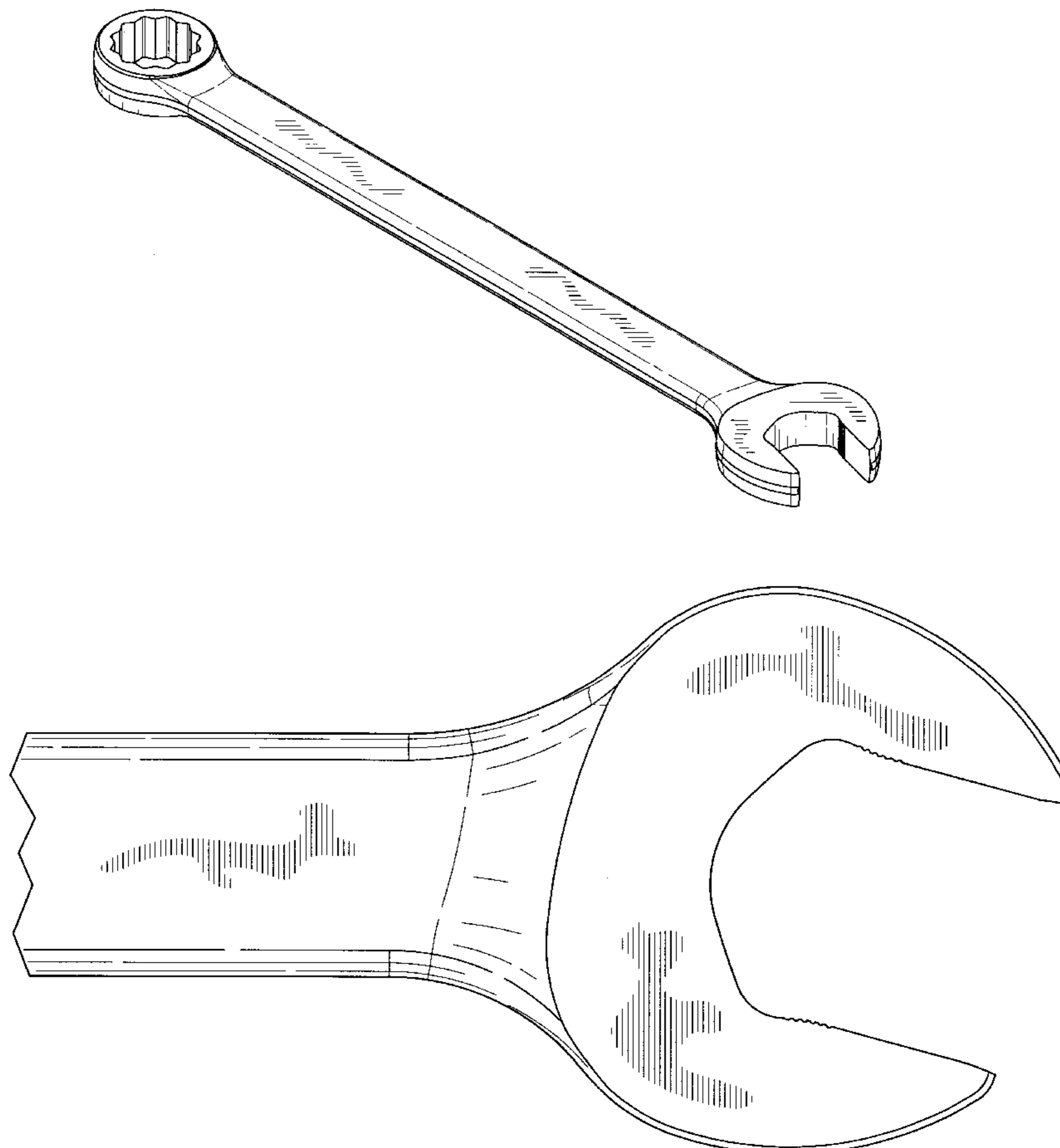
(57) **CLAIM**

The ornamental design for a wrench, as shown and described.

DESCRIPTION

FIG. 1 is a perspective view of the top of a wrench embodying this invention;
FIG. 2 is a perspective view of bottom of the wrench shown in FIG. 1;
FIG. 3 is a right side elevation view of the wrench shown in FIG. 1;
FIG. 4 is a rear elevation view of the wrench shown in FIG. 1;
FIG. 5 is a top view of the wrench shown in FIG. 1.
FIG. 6 is a front elevation view of the wrench shown in FIG. 1;
FIG. 7 is a left side elevation view of the wrench shown in FIG. 1; and,
FIG. 8 is an enlarged fragmentary view of the head of the wrench shown in FIG. 5.

1 Claim, 3 Drawing Sheets



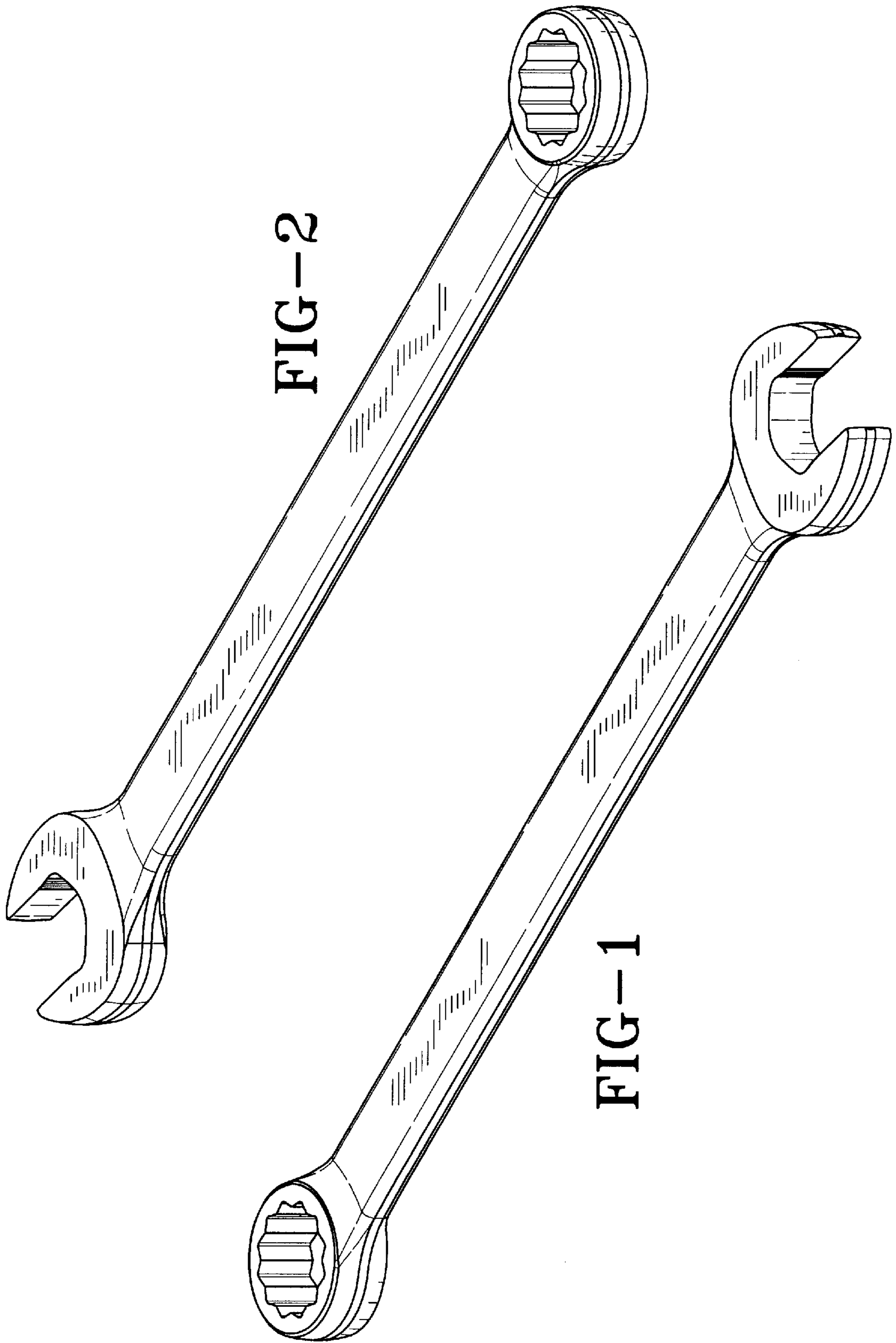




FIG-3

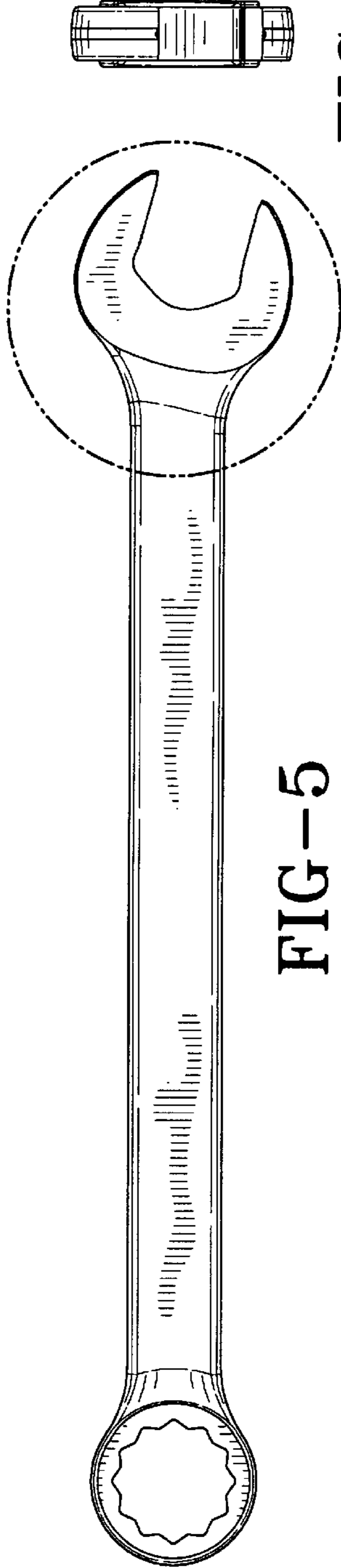


FIG-5

FIG-4

FIG-6

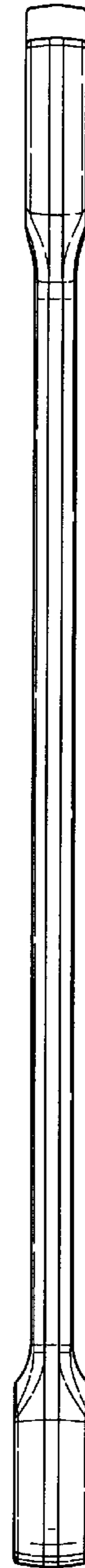


FIG-7

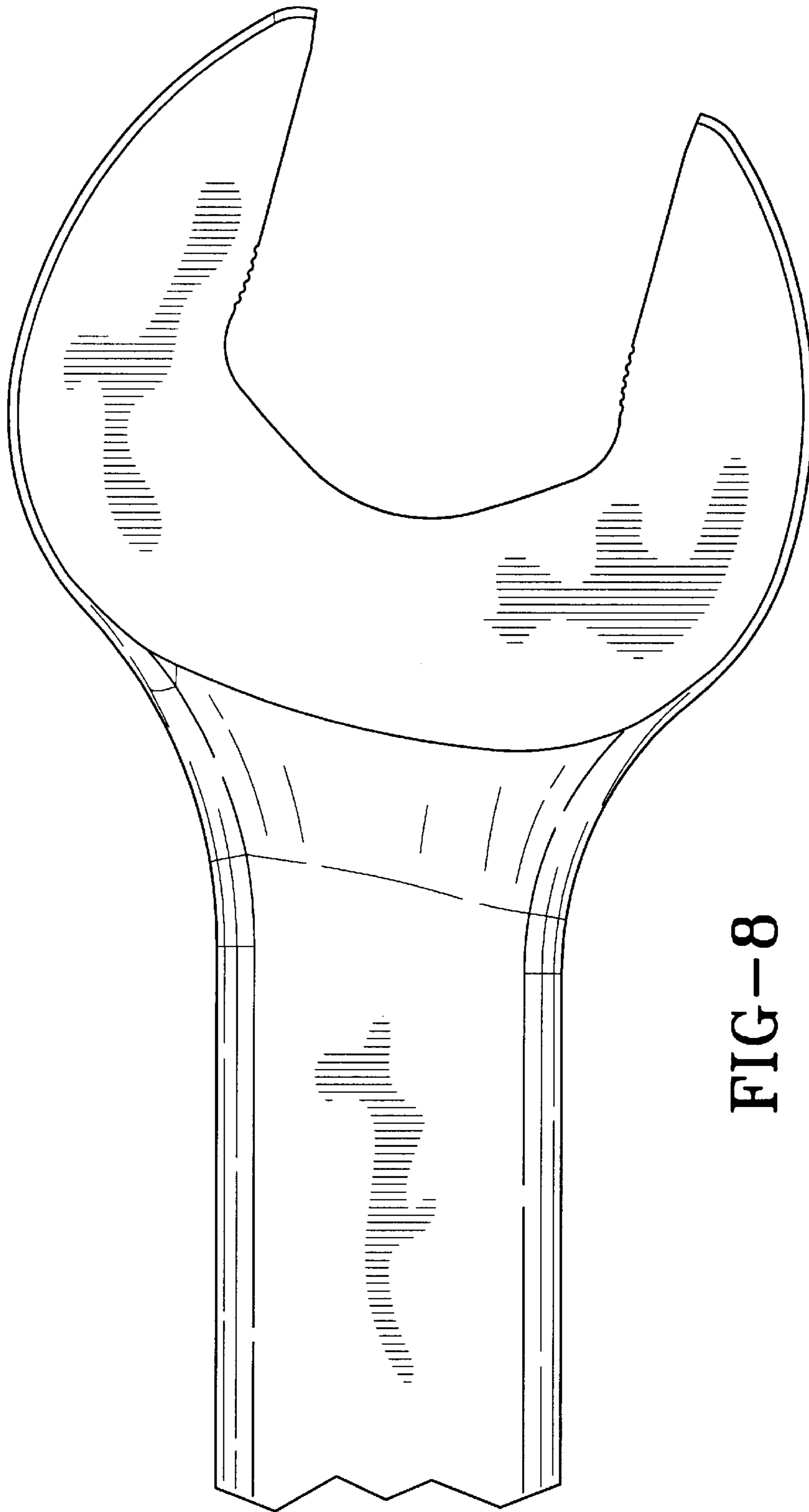


FIG-8