



US00D476867S

(12) **United States Design Patent**  
**Walker et al.**

(10) **Patent No.:** **US D476,867 S**

(45) **Date of Patent:** **\*\* Jul. 8, 2003**

(54) **MULTI-FUNCTION UNIVERSAL RATCHET WRENCH**

(76) Inventors: **James Walker**, 2260 Columbia 62, McNeil, AR (US) 71752; **Brandon Lane**, 2260 Columbia 62, McNeil, AR (US) 71752

(\* ) Notice: This patent is subject to a terminal disclaimer.

(\*\* ) Term: **14 Years**

(21) Appl. No.: **29/144,264**

(22) Filed: **Jun. 27, 2001**

(51) **LOC (7) Cl.** ..... **08-05**

(52) **U.S. Cl.** ..... **D8/25**

(58) **Field of Search** ..... D8/17, 21-29; 81/60-63.2, 177.1, 177.85, 177.75

(56) **References Cited**

**U.S. PATENT DOCUMENTS**

2,570,706 A \* 10/1951 Peluse ..... 81/177.75

3,608,402 A \* 9/1971 Rainey ..... 81/63.1  
D260,353 S \* 8/1981 Redman ..... D8/25  
D359,429 S \* 6/1995 Williamson ..... D8/25  
6,145,416 A \* 11/2000 Bonniot ..... 81/177.75

\* cited by examiner

*Primary Examiner*—Raphael Barkai

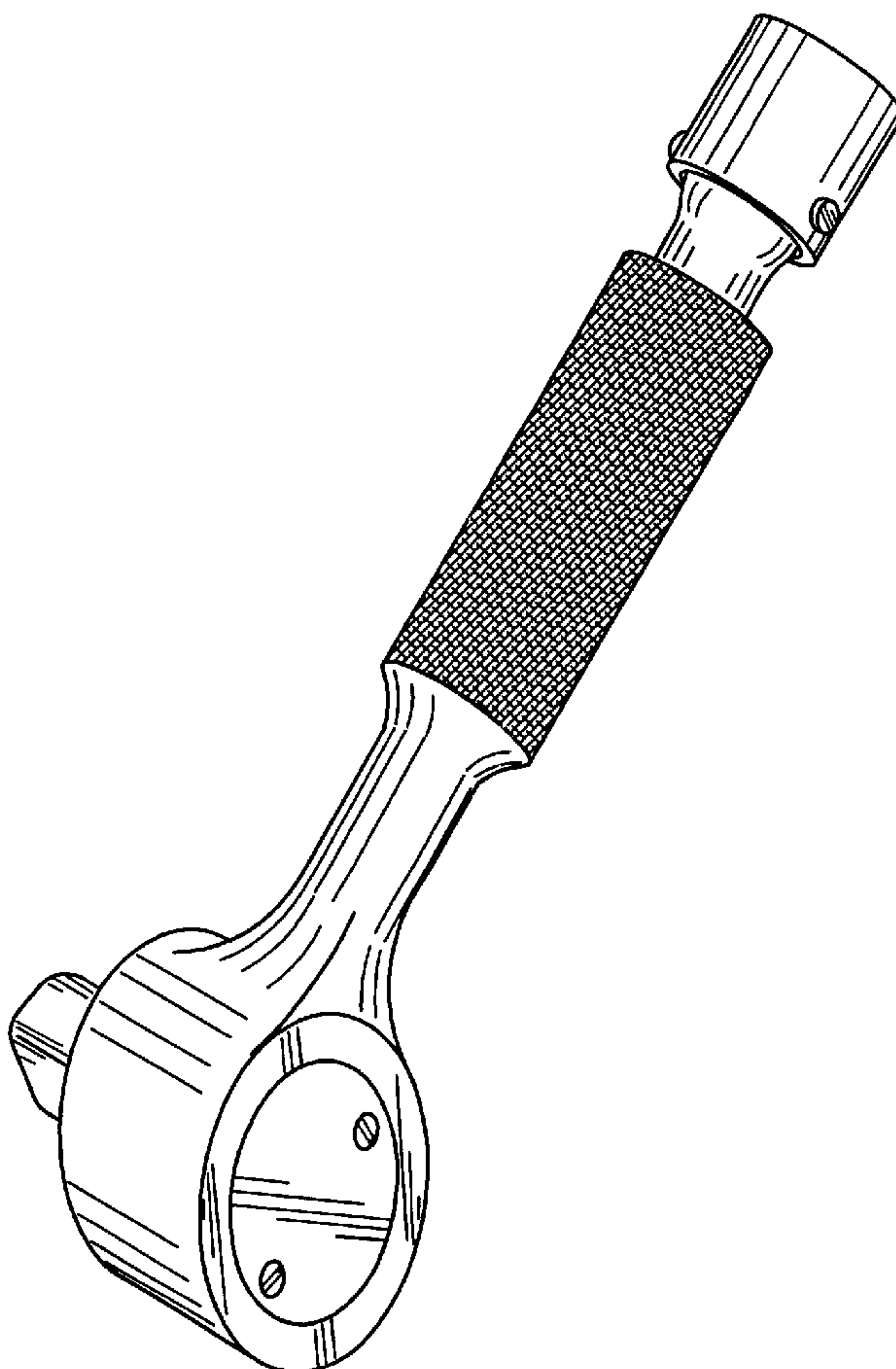
(57) **CLAIM**

The ornamental design for a multi-function universal ratchet wrench, as shown and described.

**DESCRIPTION**

FIG. 1 is a perspective view of a multi-function universal ratchet wrench showing our new design; FIG. 2 is a front elevational view thereof; FIG. 3 is a rear elevational view thereof; FIG. 4 is a left side elevational view thereof; FIG. 5 is a bottom plan view thereof; FIG. 6 is a top plan view; and, FIG. 7 is a left side elevational view of a multi-function universal ratchet wrench shown interlocked with a second multi-function universal ratchet wrench thereof.

**1 Claim, 3 Drawing Sheets**



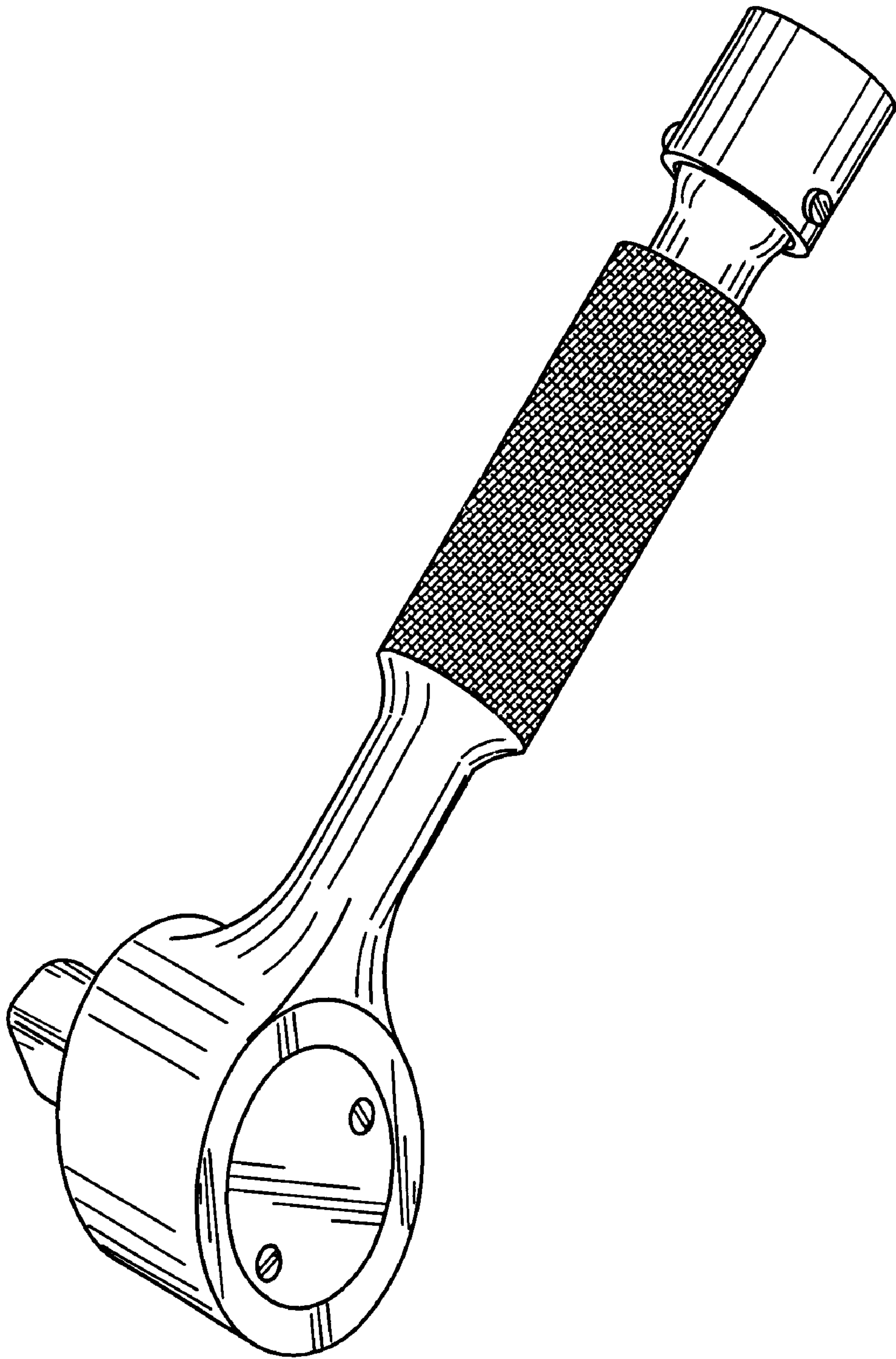


Figure 1

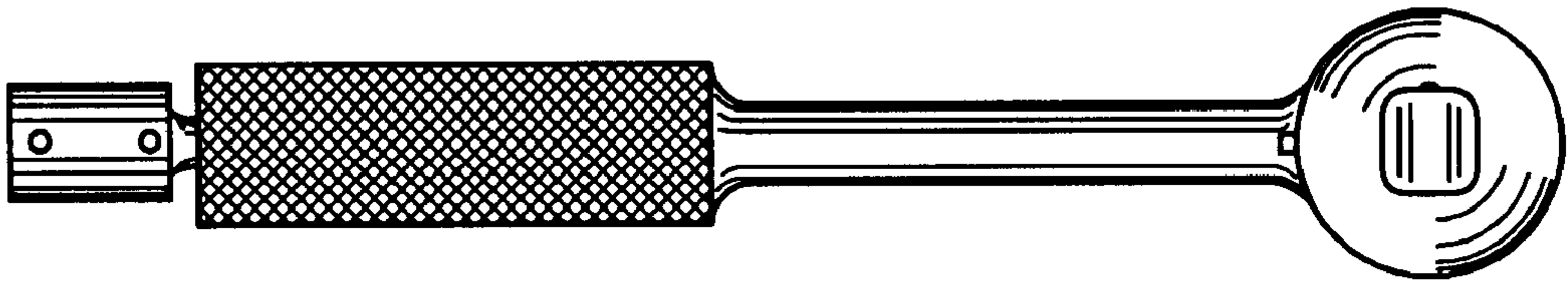


Figure 2

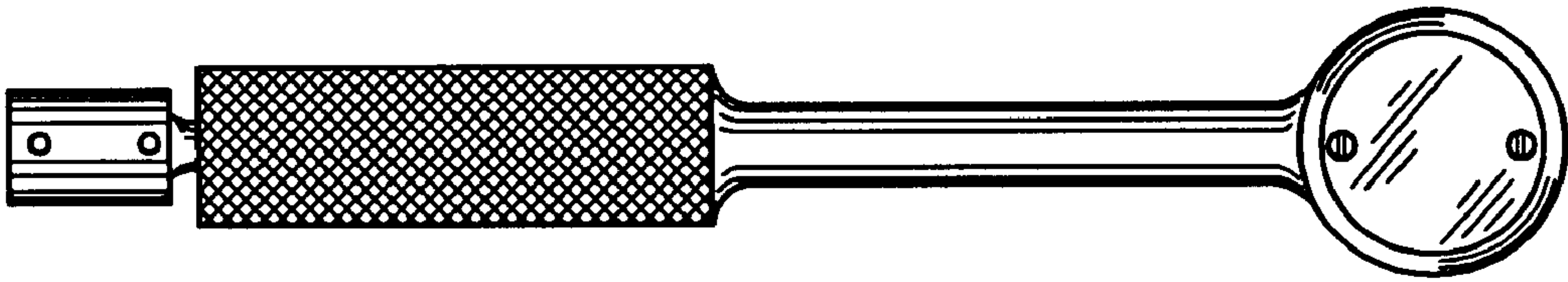


Figure 3

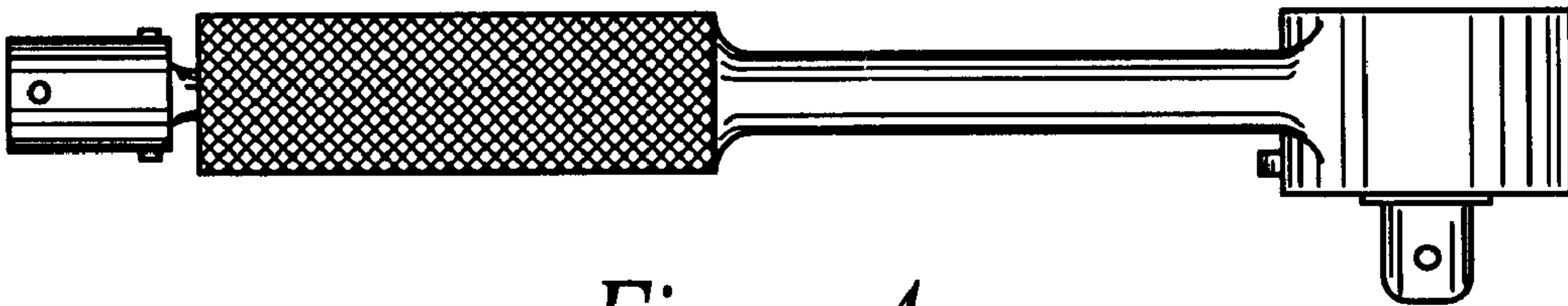


Figure 4

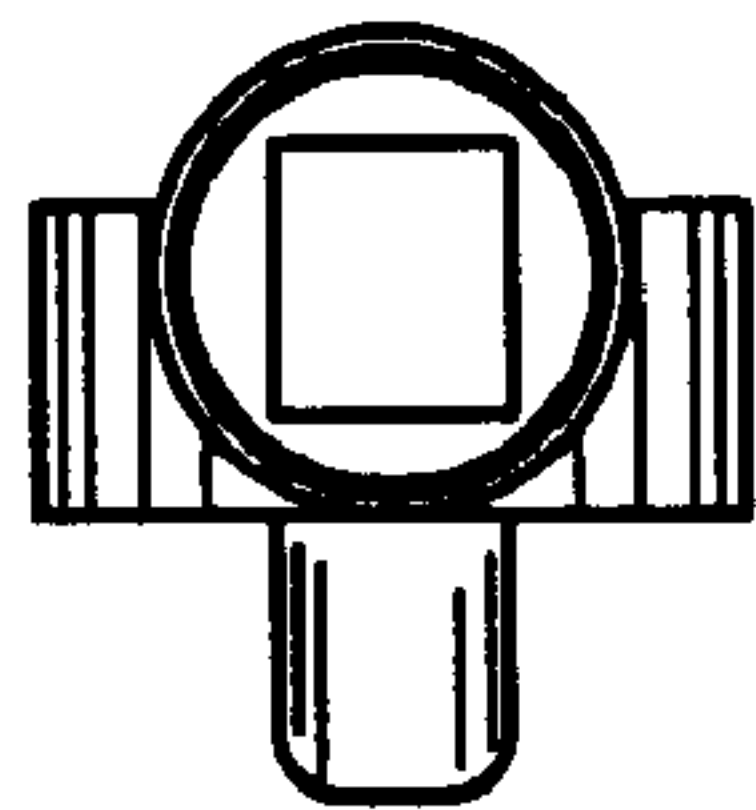


Figure 5

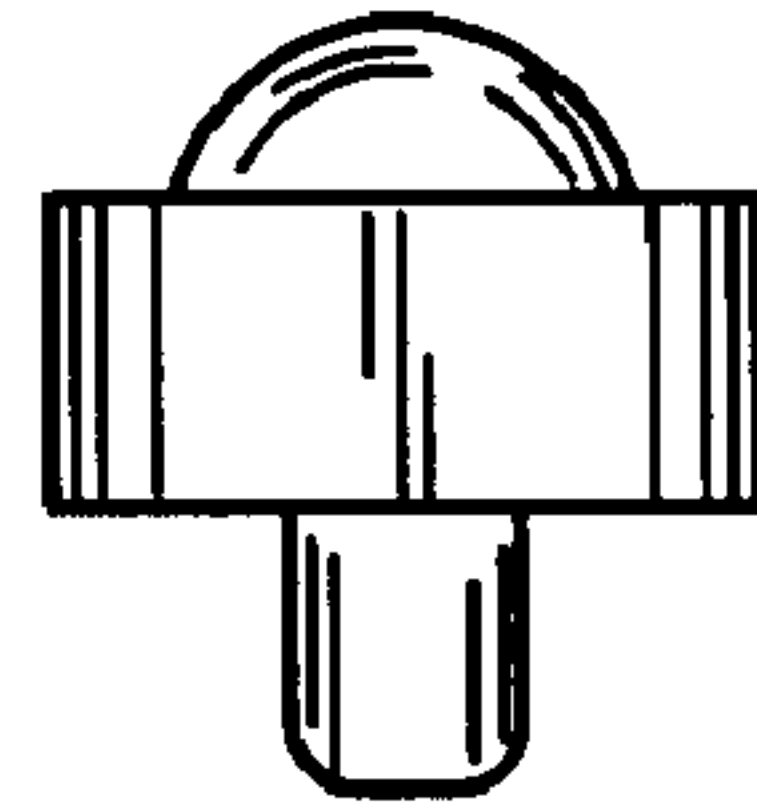


Figure 6

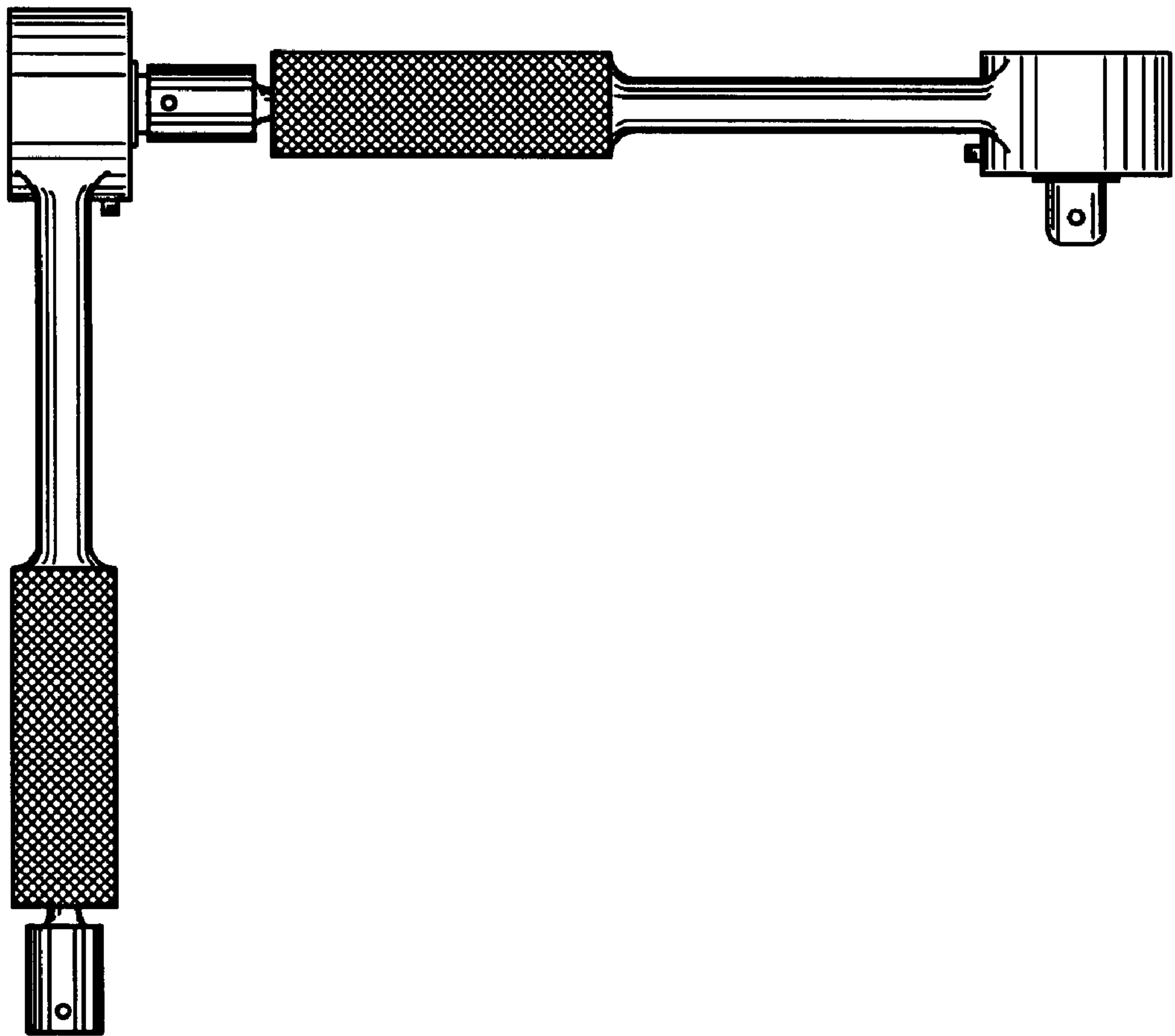


Figure 7