



US00D476866S

(12) **United States Design Patent**  
Wells et al.

(10) **Patent No.:** **US D476,866 S**

(45) **Date of Patent:** **\*\* Jul. 8, 2003**

(54) **DISPENSING CAPSULE FOR PESTICIDES AND NUTRIENTS**

D176,733 S \* 1/1956 Pollnow ..... D23/231  
3,124,904 A \* 3/1964 Mauget ..... 47/57.5  
D273,266 S \* 4/1984 Souza ..... D8/2

(75) Inventors: **Timothy Wells**, Thousand Oaks, CA (US); **Bryan Rolfs**, Oxnard, CA (US); **Paul King**, Newbury Park, CA (US)

\* cited by examiner

*Primary Examiner*—Louis S. Zarfes  
*Assistant Examiner*—Gregory Andoll  
(74) *Attorney, Agent, or Firm*—Donald Diamond

(73) Assignee: **J.J. Mauget Co., Inc.**, Arcadia, CA (US)

(57) **CLAIM**

(\*\*) Term: **14 Years**

The ornamental design for a dispensing capsule for pesticides and nutrients, as shown.

(21) Appl. No.: **29/159,143**

**DESCRIPTION**

(22) Filed: **Apr. 17, 2002**

(51) **LOC (7) Cl.** ..... **08-01**

FIG. 1 is a top, front and right side perspective view of a dispensing capsule for pesticides and nutrients showing our new design;

(52) **U.S. Cl.** ..... **D8/2**

FIG. 2 is a front elevational view thereof;

(58) **Field of Search** ..... D8/2; D23/213, D23/200, 231; 47/57.5; 222/209; D9/448, 653

FIG. 3 is a rear elevational view thereof;

FIG. 4 is a left side elevational view thereof;

FIG. 5 is a right side elevational view thereof;

FIG. 6 is a top elevational view thereof; and,

FIG. 7 is a bottom elevational view thereof.

(56) **References Cited**

**U.S. PATENT DOCUMENTS**

2,098,160 A \* 11/1937 Perritt ..... 222/209

**1 Claim, 3 Drawing Sheets**

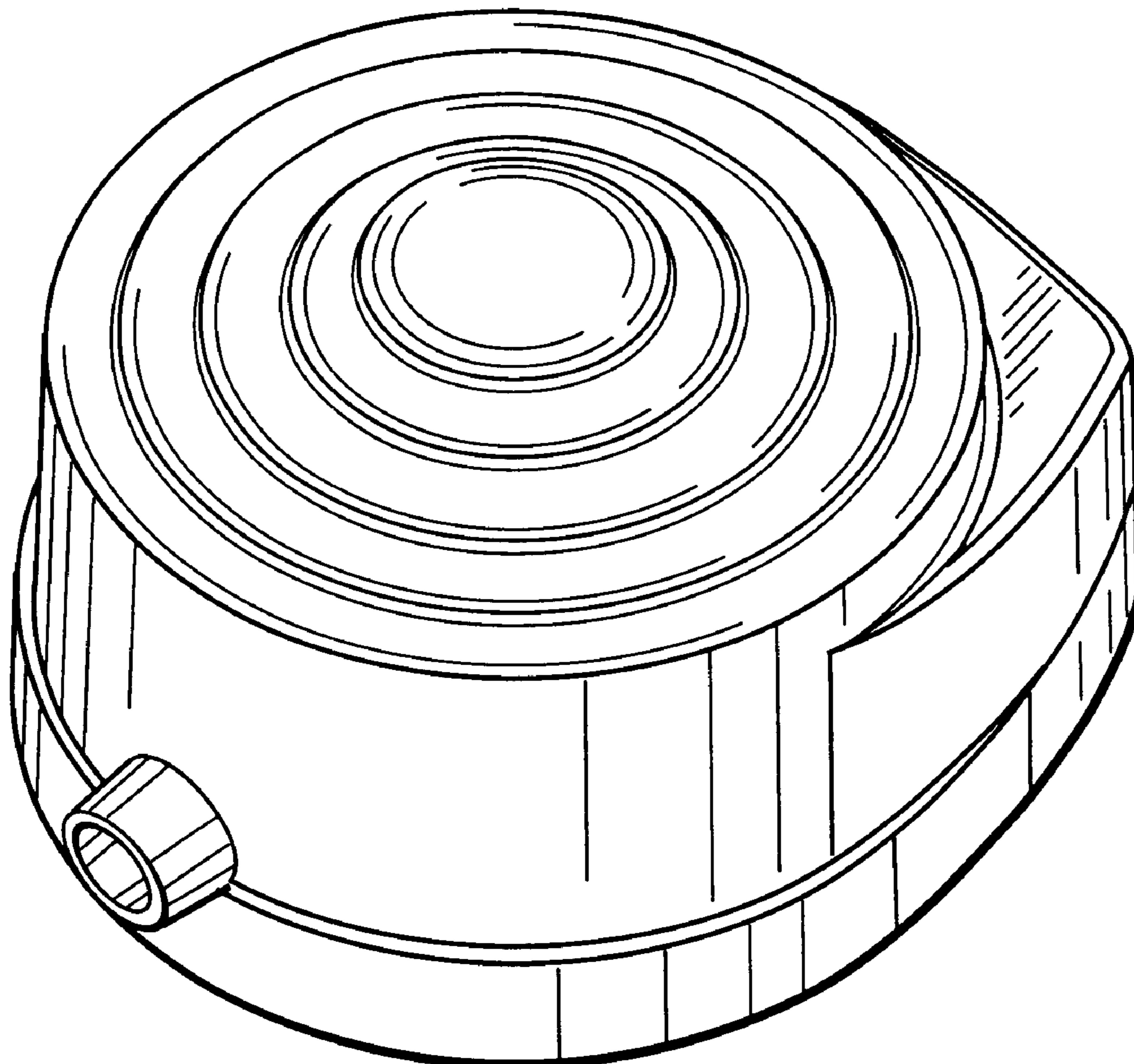


FIG. 1

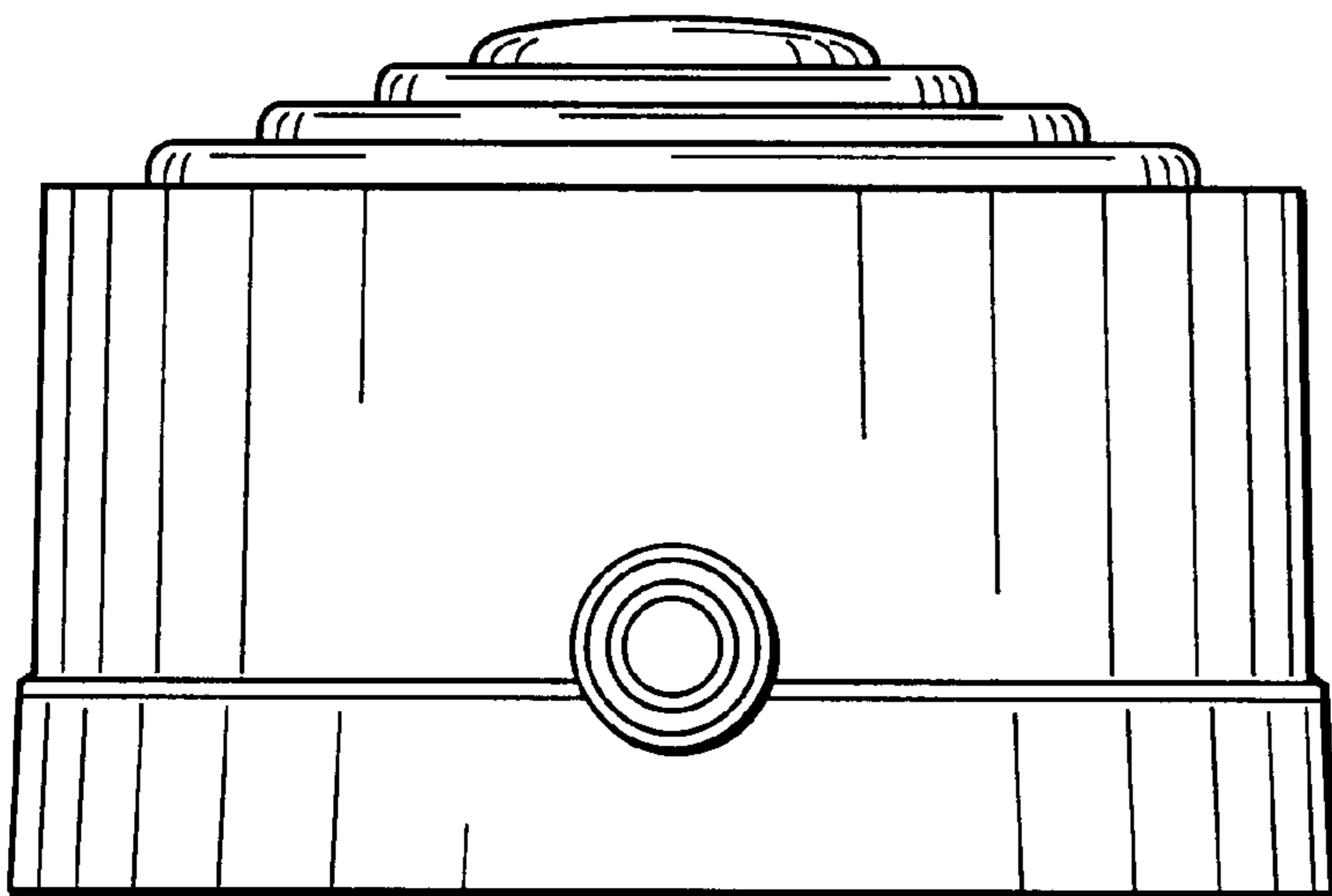
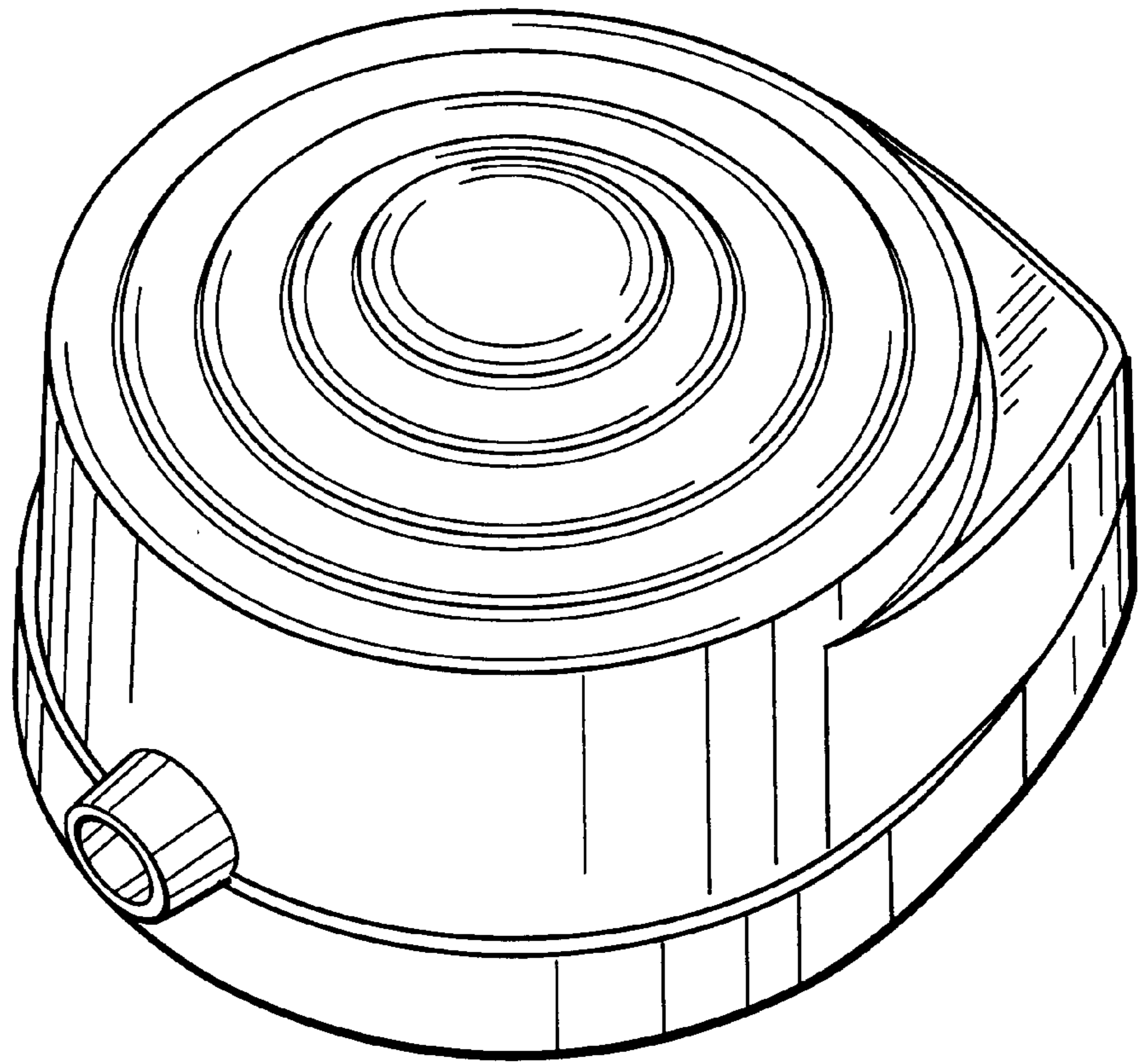


FIG. 2

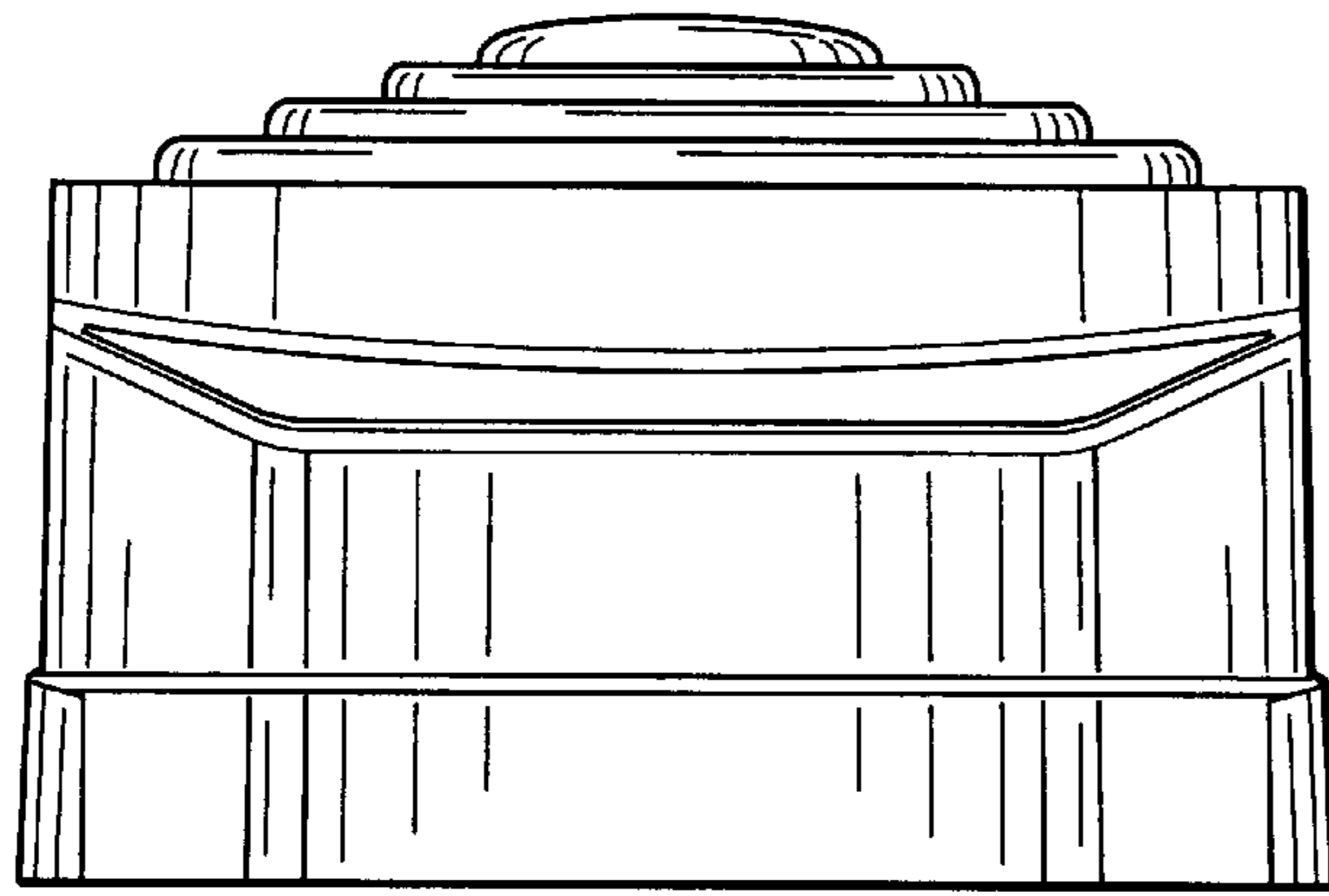


FIG. 3

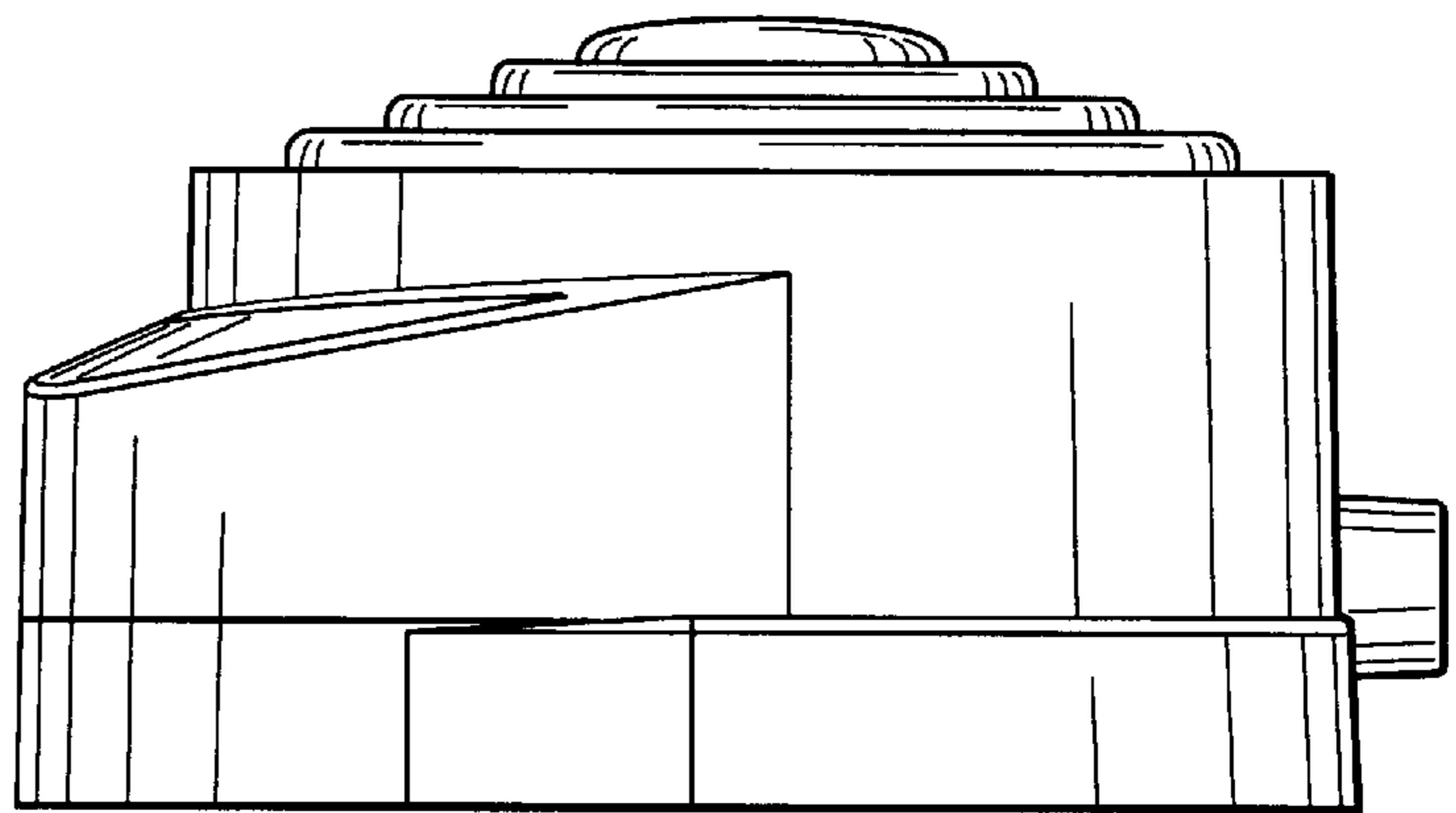


FIG. 4

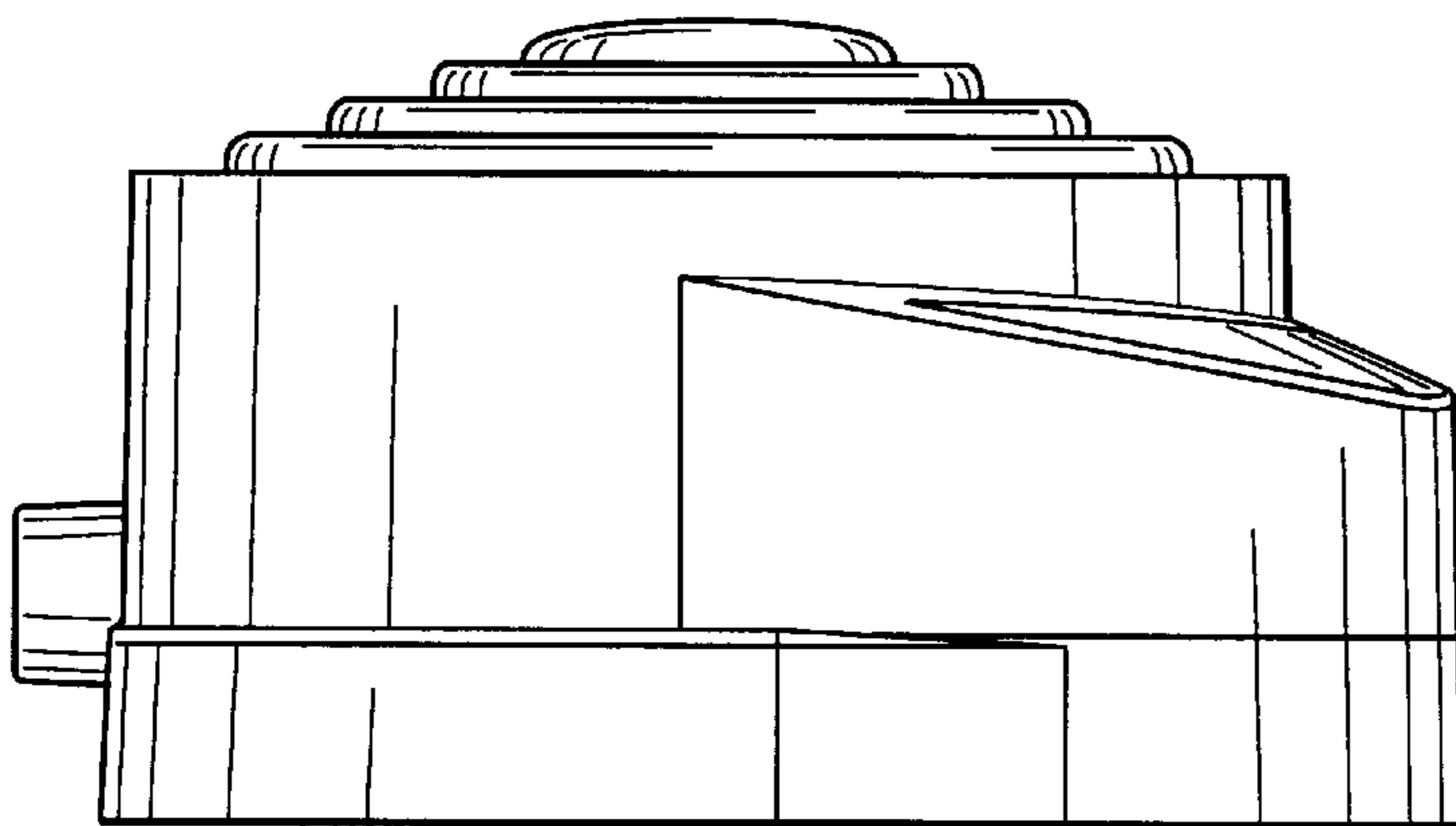


FIG. 5

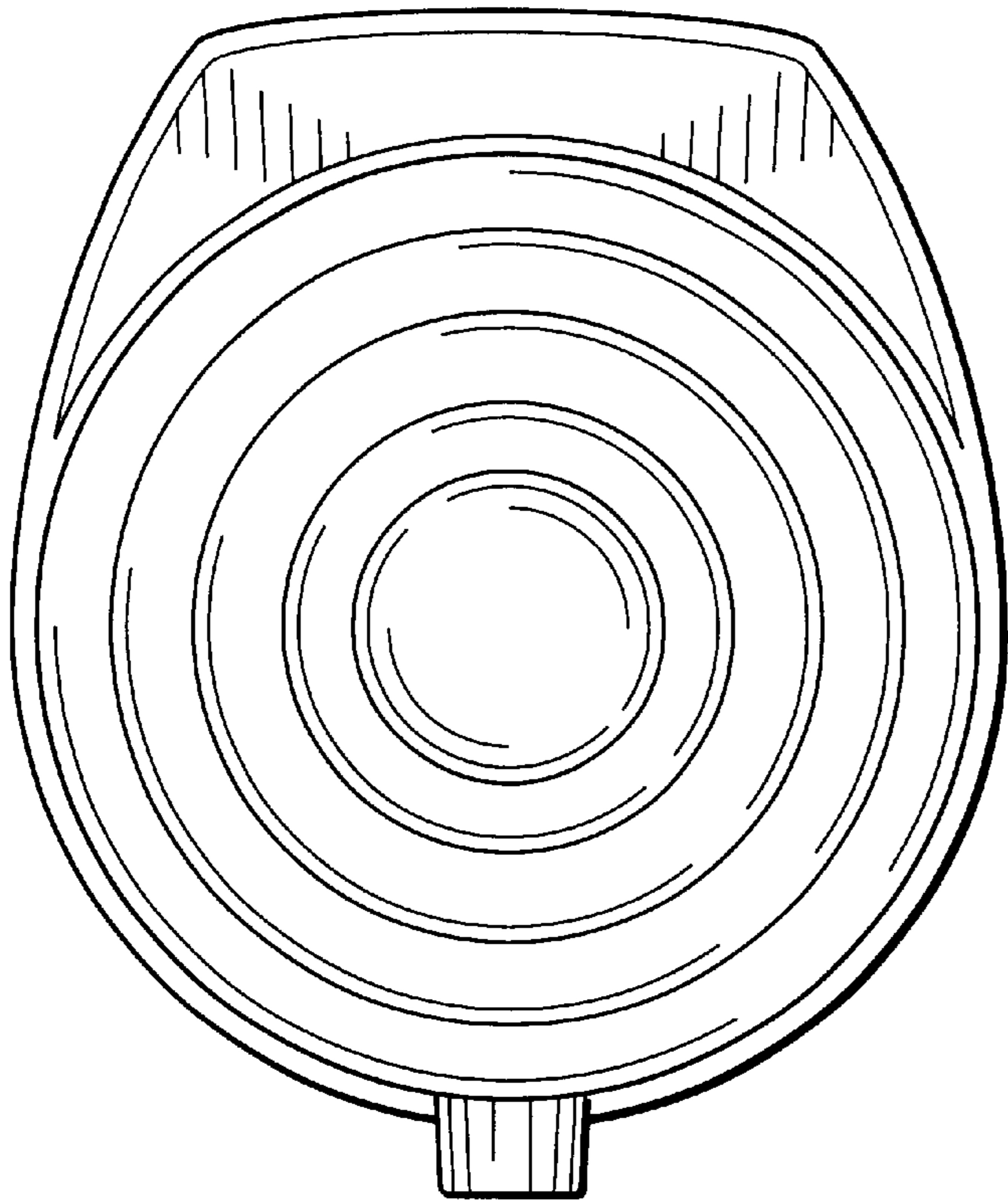


FIG. 6

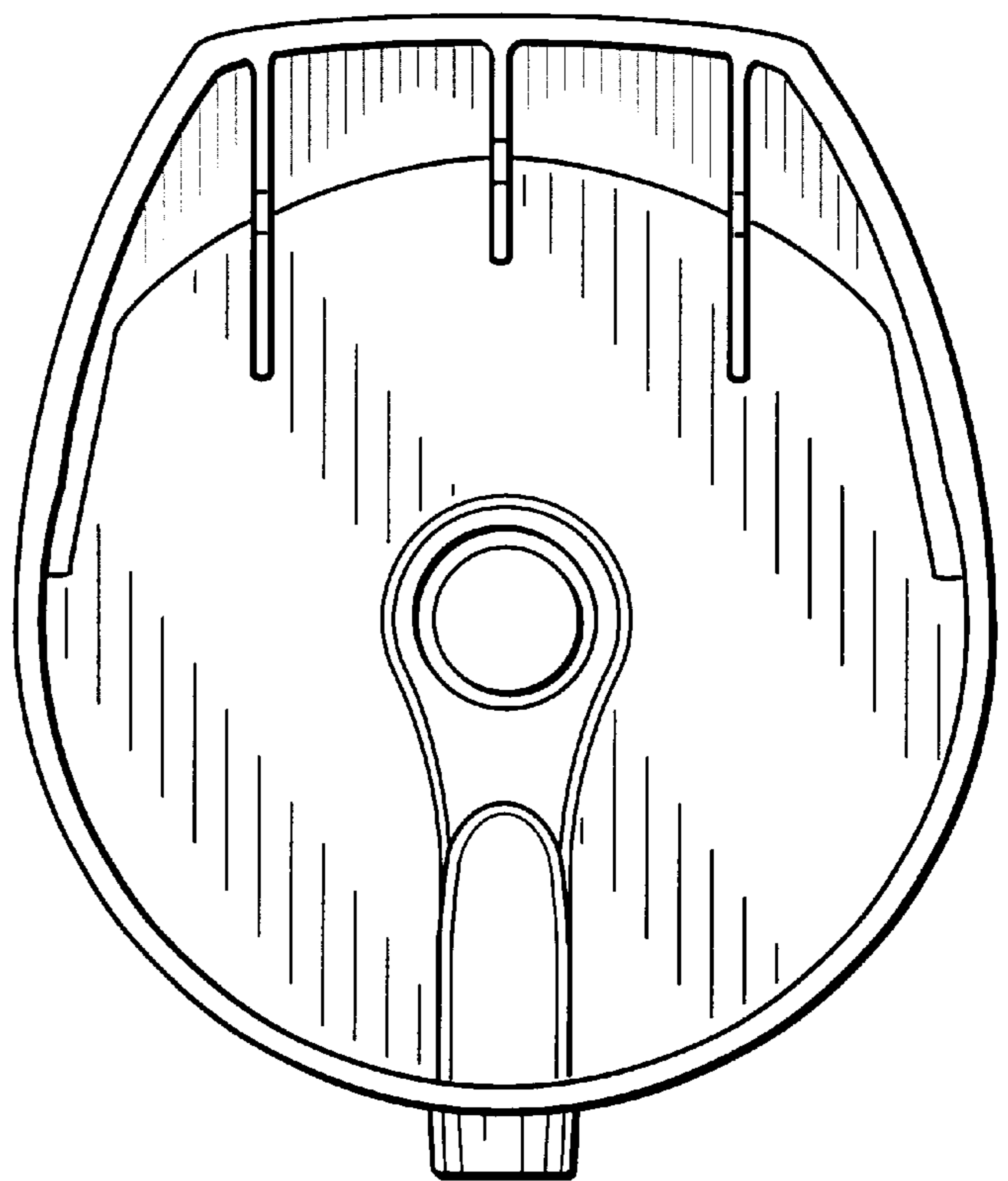


FIG. 7