



US00D476865S

(12) **United States Design Patent**  
**Zudal**

(10) **Patent No.:** **US D476,865 S**

(45) **Date of Patent:** **\*\* Jul. 8, 2003**

(54) **HEART SHAPED GLASS HOLDER**

(75) Inventor: **Andrew Zudal**, 4140 Mount Olney La.,  
Olney, MD (US) 20832

(73) Assignee: **Andrew Zudal**, Olney, MD (US)

(\*\*) Term: **14 Years**

(21) Appl. No.: **29/161,560**

(22) Filed: **Jun. 3, 2002**

(51) **LOC (7) Cl.** ..... **07-06**

(52) **U.S. Cl.** ..... **D7/702; D21/386**

(58) **Field of Search** ..... D7/701, 702, 707,  
D7/708, 550.1, 551.1, 554.1, 571; 211/70.01,  
74, 75; 248/309.1, 311.2, 346.11; D21/386;  
D11/44, 48, 56, 103, 149

(56) **References Cited**

**U.S. PATENT DOCUMENTS**

D105,687 S	*	8/1937	Bode	.....	D7/702
3,375,615 A	*	4/1968	Ricker	.....	D7/701
D263,784 S	*	4/1982	Butler et al.	.....	D7/708
5,443,270 A	*	8/1995	Loritz	.....	273/290
D369,836 S	*	5/1996	Mazzio	.....	D21/386
6,151,823 A	*	11/2000	Gregory-Gillman	.....	40/661

**OTHER PUBLICATIONS**

Rio Grande Albuquerque 1991-92 Gemstones and Beads Findings and Chains Catalog, P225, Heart shape, top, left corner.\*

\* cited by examiner

*Primary Examiner*—Terry A. Wallace

(74) *Attorney, Agent, or Firm*—Snider & Associates; Ronald R. Snider

(57) **CLAIM**

The ornamental design for a heart shaped glass holder, as shown and described.

**DESCRIPTION**

FIG. 1 is a perspective view of a heart shaped glass holder having two through holes.

FIG. 2 is a perspective view of the heart shaped glass holder and two glasses.

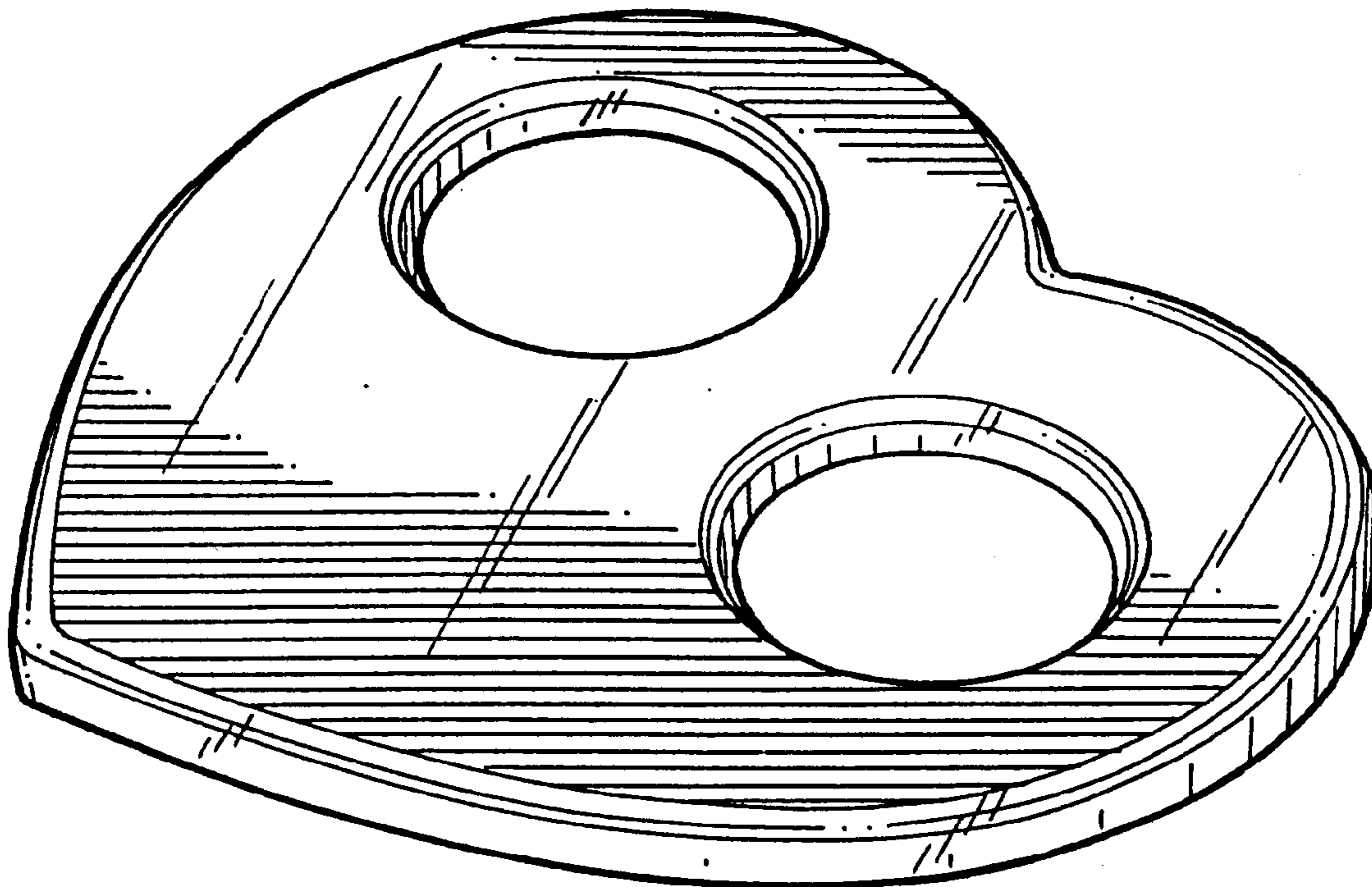
FIG. 3 is a side view of the heart shaped glass holder and a glass.

FIG. 4 is a top view of the heart shaped glass holder and two glasses; and,

FIG. 5 is a bottom view of the heart shaped glass holder.

The broken lines are for illustrative purposes only and form no part of the claimed design.

**1 Claim, 4 Drawing Sheets**



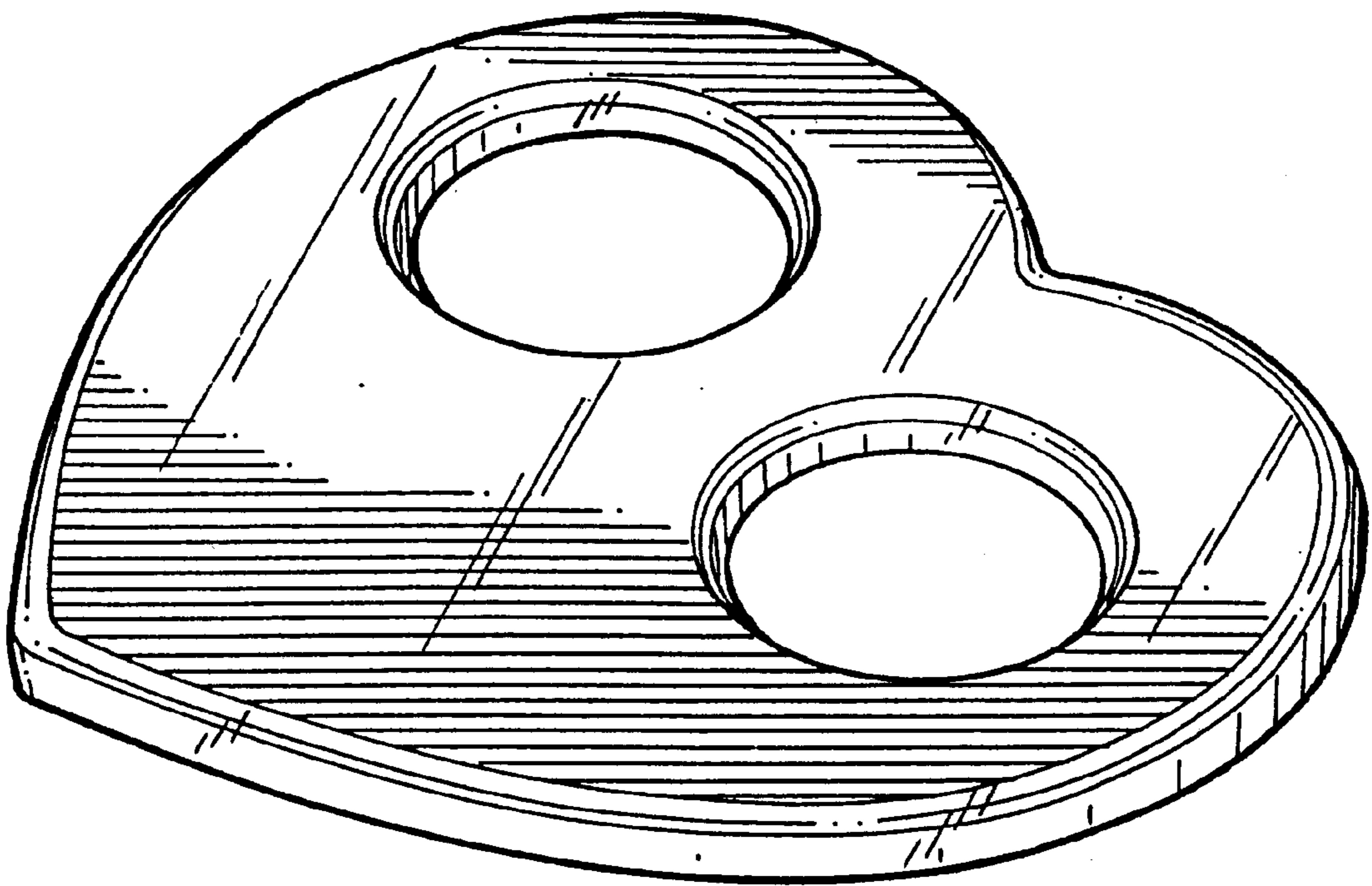


FIG. 1

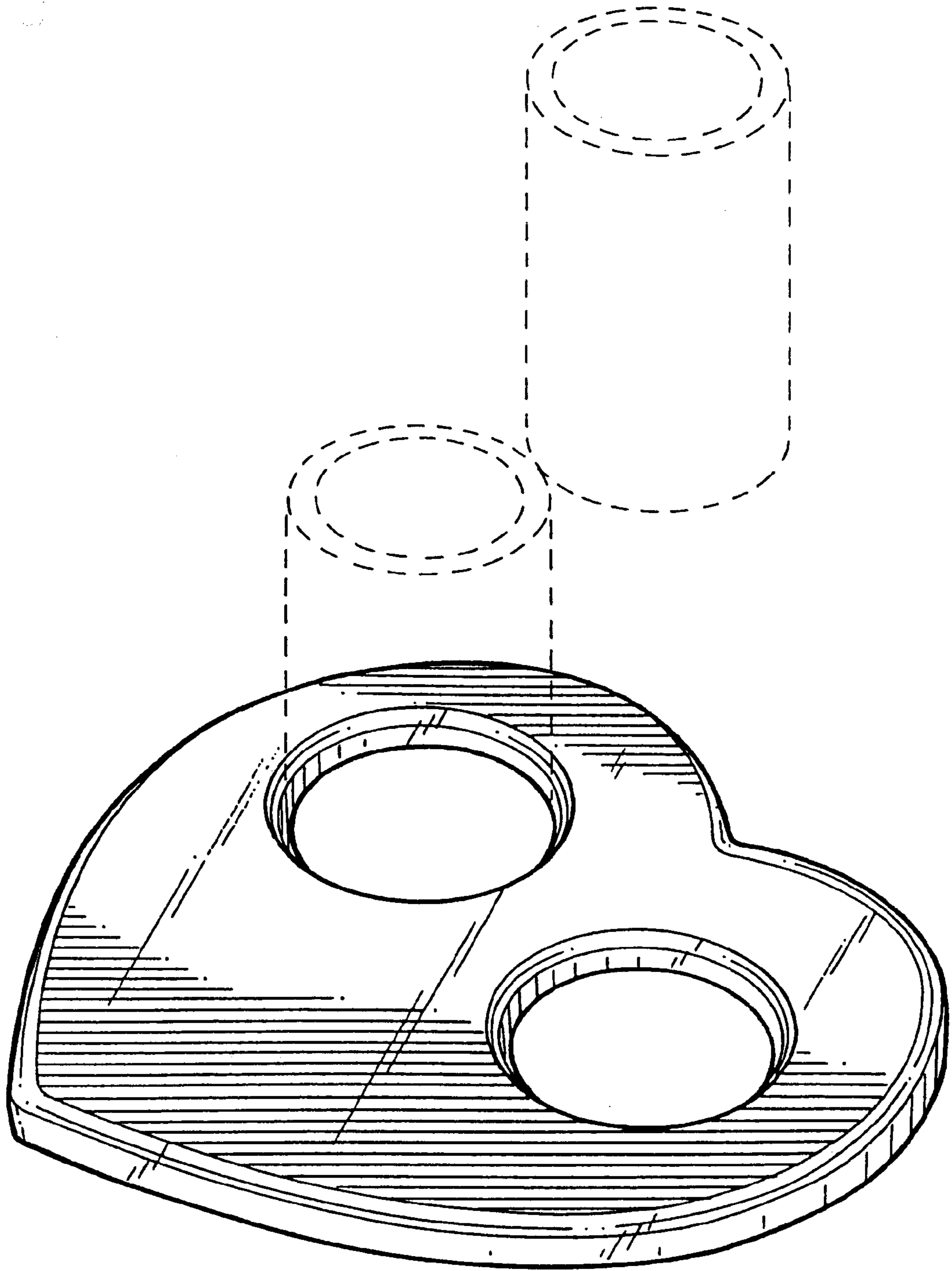


FIG. 2

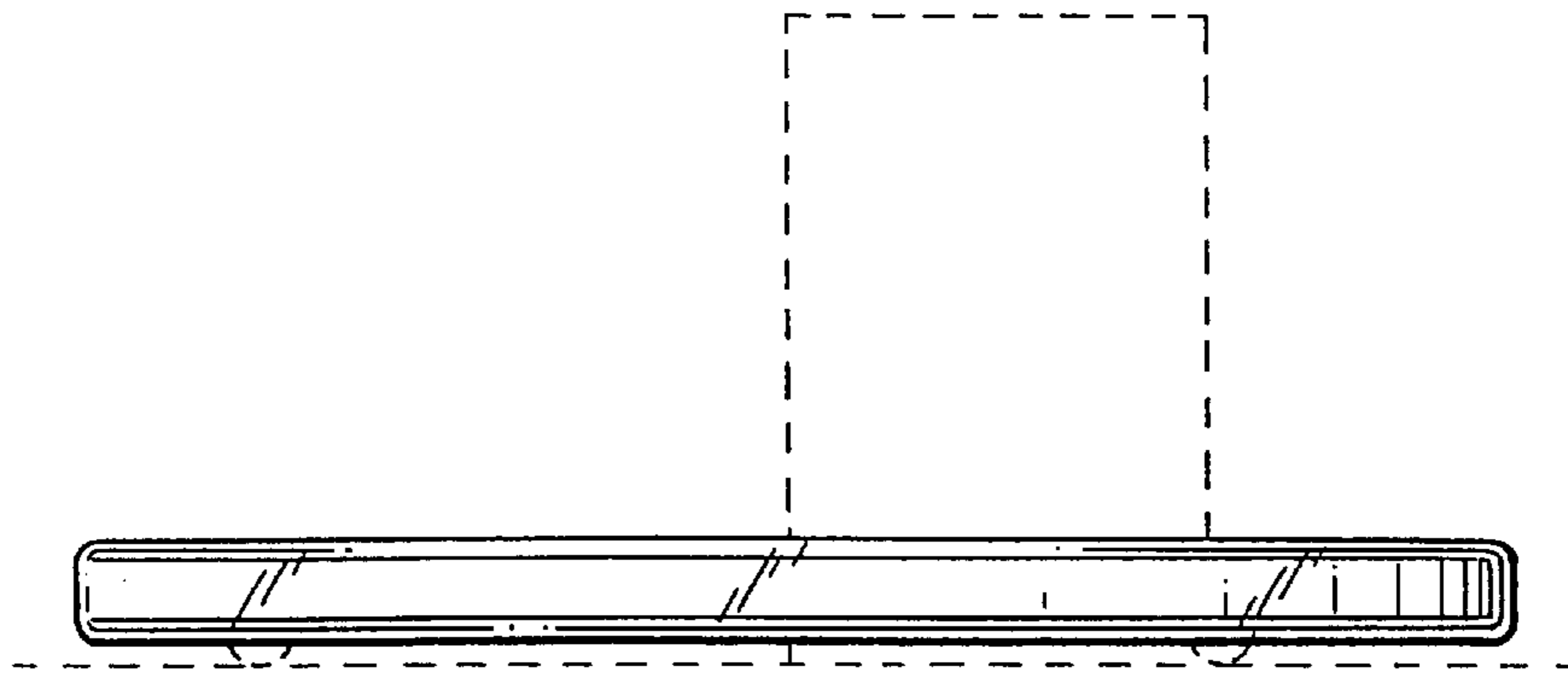


FIG. 3

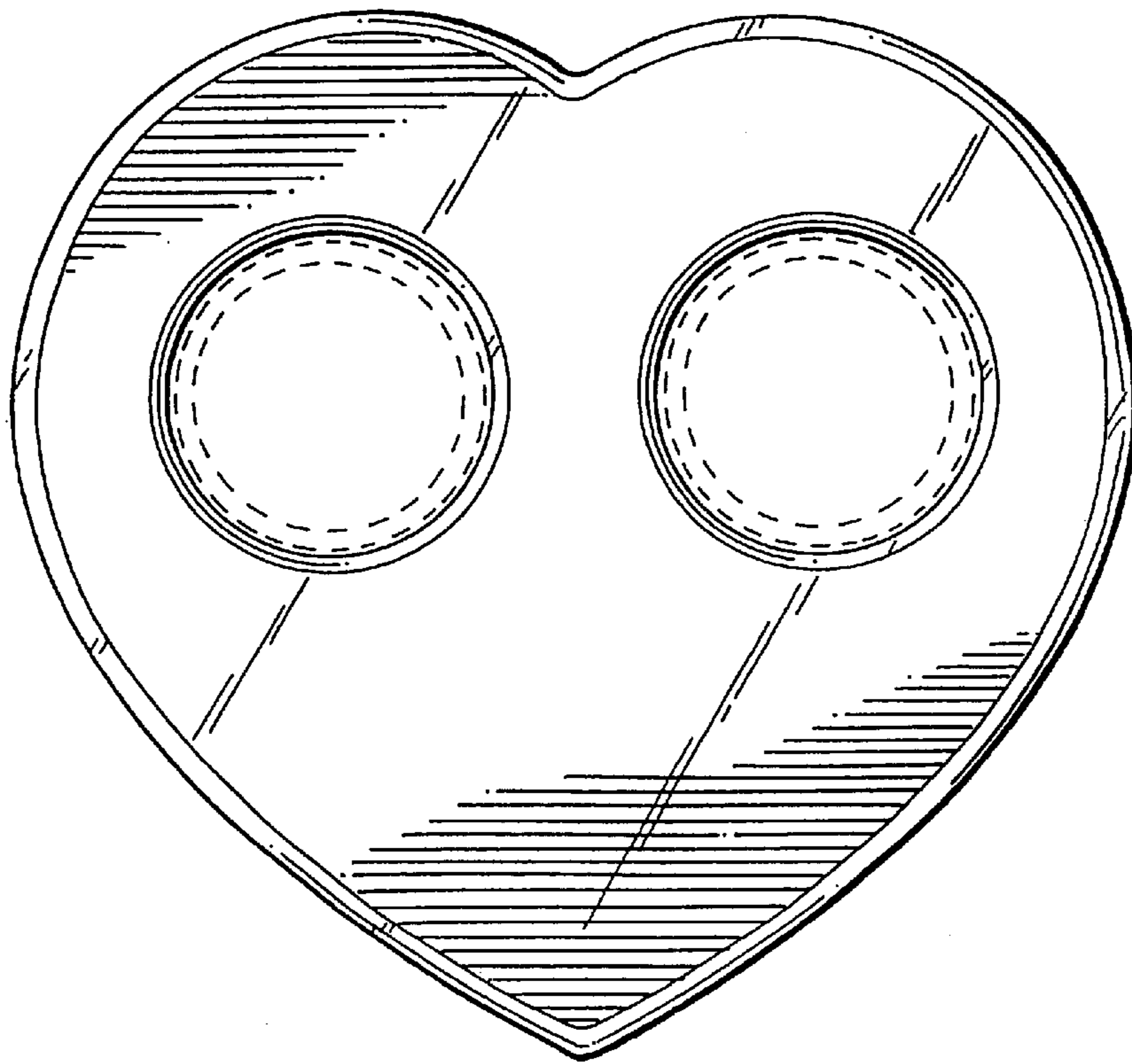


FIG. 4

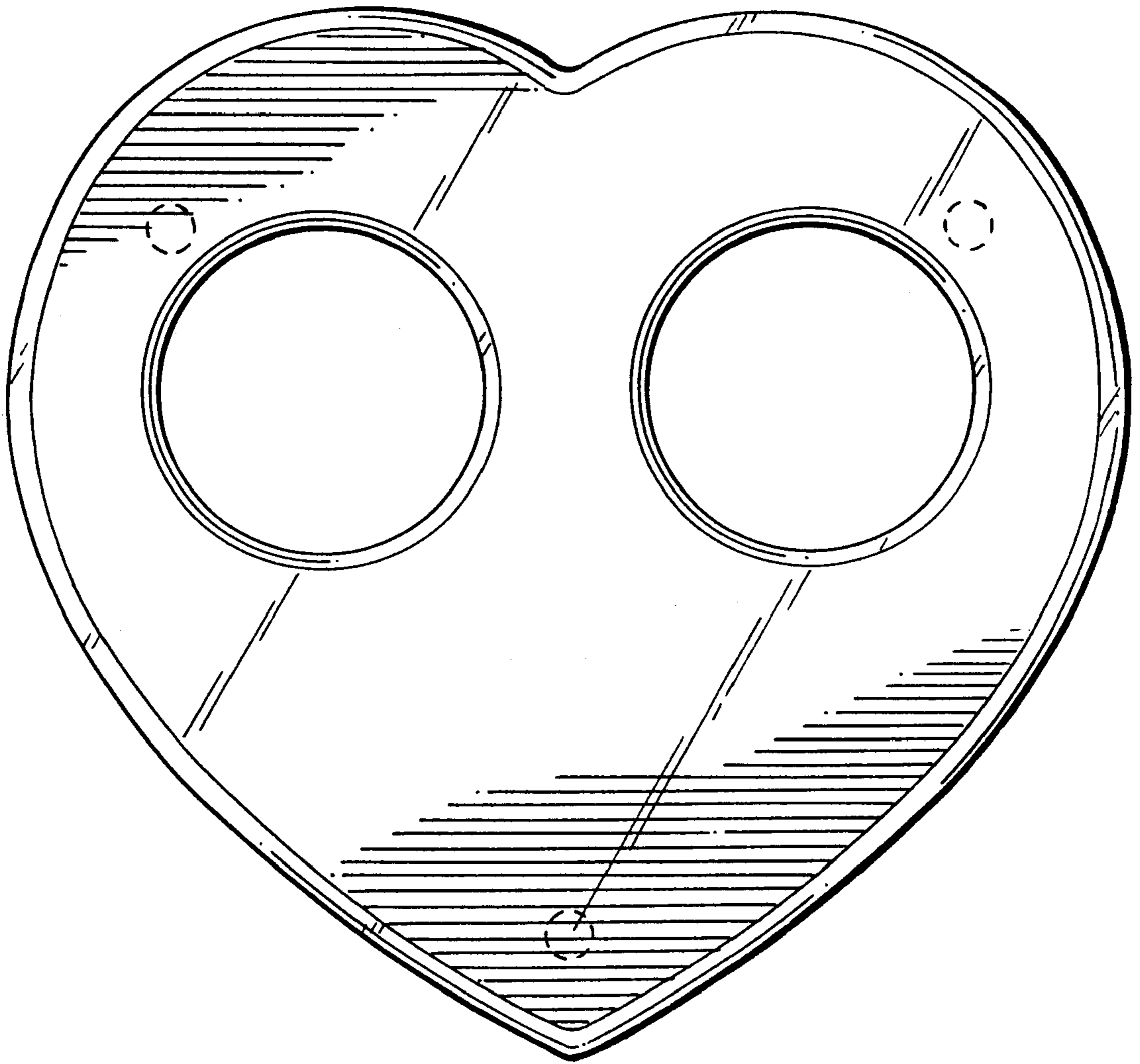


FIG. 5