



US00D476861S

(12) **United States Design Patent**
Zettle et al.

(10) **Patent No.: US D476,861 S**

(45) **Date of Patent: ** Jul. 8, 2003**

(54) **BOWL WITH COVER**

(75) Inventors: **Jeffrey J. Zettle**, Bay City, MI (US);
Donald E. Hodge, Clare, MI (US)

(73) Assignee: **S.C. Johnson Home Storage, Inc.**,
Racine, WI (US)

(**) Term: **14 Years**

(21) Appl. No.: **29/152,984**

(22) Filed: **Dec. 21, 2001**

(51) **LOC (7) Cl.** **07-07**

(52) **U.S. Cl.** **D7/629; D7/538**

(58) **Field of Search** D7/391, 392.1,
D7/601, 602, 629, 538-548, 584-587; D9/424,
425, 428, 430; 220/574, 780-799, 805;
229/406

D332,897 S	*	2/1993	Bucher et al.	D7/629
D337,485 S		7/1993	Merwin et al.	D7/586
5,230,939 A		7/1993	Baum	428/84
D339,958 S	*	10/1993	Olsen et al.	D7/392.1
D341,518 S		11/1993	Richardson	D7/392.1
D362,594 S	*	9/1995	McEntee	D7/538
D383,939 S		9/1997	Jeppesen	D7/391
D384,551 S		10/1997	Ahern, Jr.	D7/392.1
5,758,773 A		6/1998	Clements	206/519
5,769,229 A		6/1998	Andress et al.	206/505
5,791,509 A		8/1998	Rush et al.	220/781
5,799,792 A		9/1998	Abrums	206/508
5,894,953 A		4/1999	Ramirez	220/785
D411,714 S	*	6/1999	Wilson et al.	D7/629
5,944,211 A	*	8/1999	Woodnorth et al.	220/805
D415,385 S		10/1999	Loew et al.	D7/392.1
D415,652 S		10/1999	Loew et al.	D7/392.1
D416,754 S		11/1999	Laib	D7/392.1
5,984,130 A		11/1999	Hayes et al.	220/574
D417,584 S		12/1999	Lillelund et al.	D7/392.1
D417,817 S		12/1999	Loew et al.	D7/392.1

(List continued on next page.)

(56) **References Cited**

U.S. PATENT DOCUMENTS

3,162,882 A	12/1964	Womer	15/258
RE28,720 E	2/1976	Sedlak	206/501
3,961,603 A	6/1976	Gaddie	119/15
D255,528 S	6/1980	Seager	D7/40
D260,492 S	9/1981	Scott	D9/452
4,289,252 A	9/1981	Helms	220/308
D262,932 S	2/1982	Daesen	D7/40
4,341,324 A	7/1982	Ramirez	220/306
4,407,426 A	10/1983	McLaren et al.	220/306
D275,636 S	9/1984	Picozza	D7/40
4,512,493 A	4/1985	Von Holdt	220/306
4,526,290 A	7/1985	Cerny	220/415
D281,758 S	12/1985	Trombly	D7/387
D283,664 S	5/1986	Murai	D7/30
D291,856 S	9/1987	Everhan	D7/30
4,705,172 A	11/1987	Gage	206/519
D293,292 S	12/1987	Finsilver et al.	D7/30
4,747,510 A	5/1988	Mack	220/270
D298,199 S	10/1988	Finsilver et al.	D7/18
D309,554 S	* 7/1990	Meisner	D7/391
D328,837 S	8/1992	Marsten et al.	D7/585
5,143,219 A	9/1992	Yates, Jr.	206/508
5,158,202 A	10/1992	Kosonen et al.	220/574

Primary Examiner—Terry A. Wallace

(57) **CLAIM**

The ornamental design of a bowl with cover, as shown and described.

DESCRIPTION

FIG. 1 is a front perspective view illustrating the bowl with cover, constructed in accordance with the teachings of the present invention.

FIG. 2 is a front elevational view of the bowl with cover of FIG. 1.

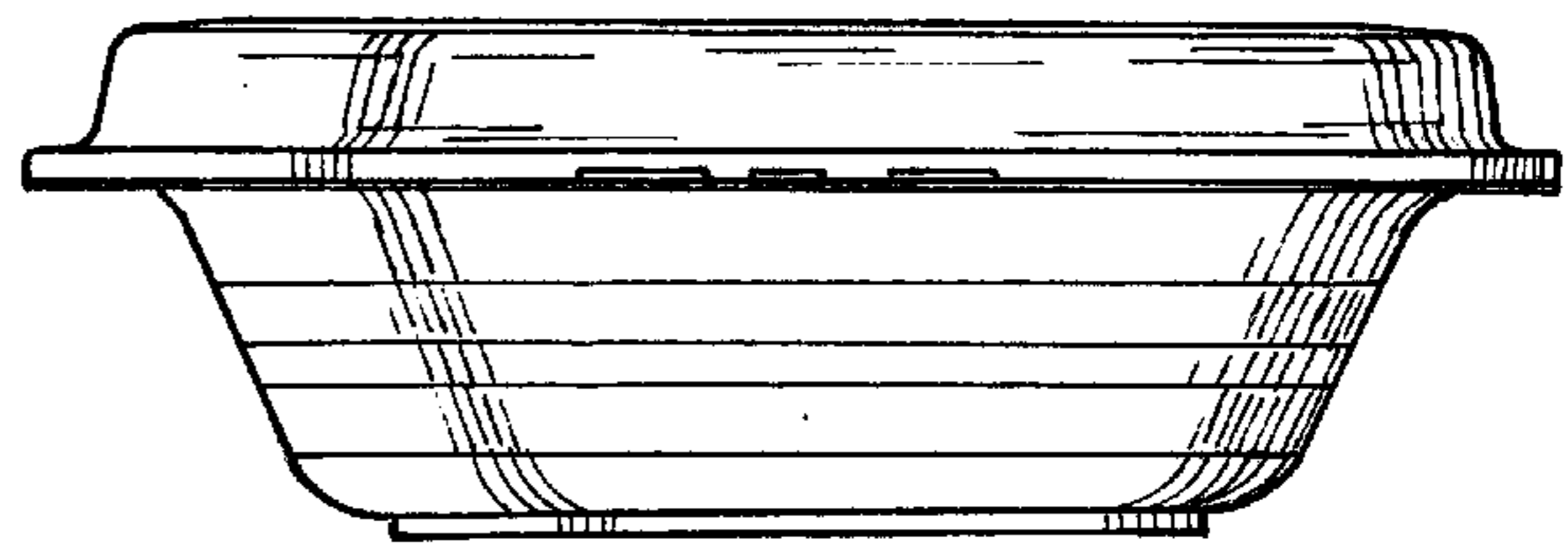
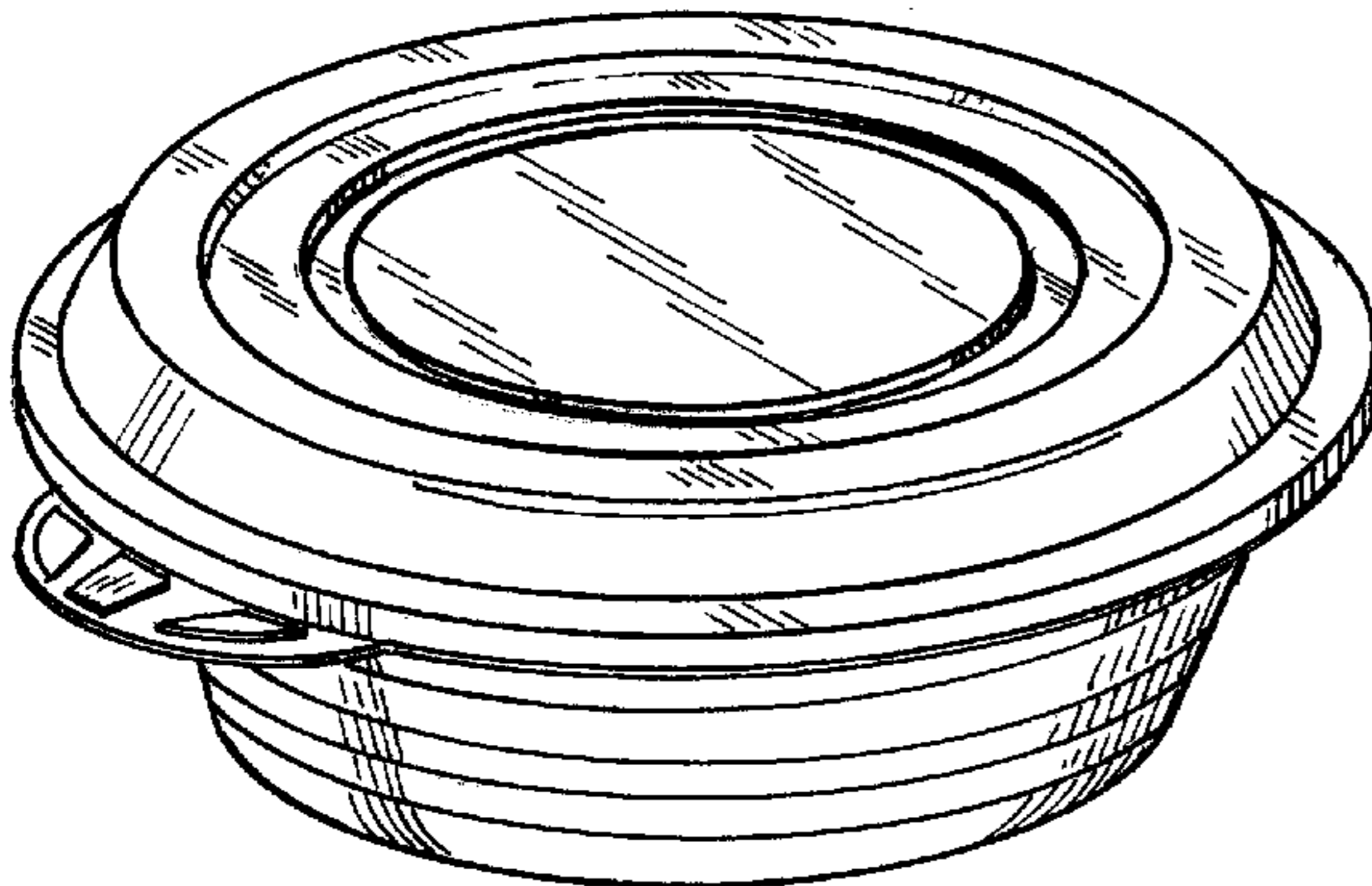
FIG. 3 is a rear elevational view of the bowl with cover of FIG. 1.

FIG. 4 is a side elevational view of the bowl with cover of FIG. 1.

FIG. 5 is a top plan view of the bowl with cover of FIG. 1; and,

FIG. 6 is a bottom plan view of the bowl with cover of FIG. 1.

1 Claim, 2 Drawing Sheets



US D476,861 S

Page 2

U.S. PATENT DOCUMENTS			
D419,371 S	1/2000	Haley	D7/392.1
D419,394 S *	1/2000	Wilson et al.	D7/629
D422,176 S	4/2000	Laib	D7/392.1
6,085,930 A	7/2000	Curtis	220/371
D429,446 S	8/2000	Toussant et al.	D7/545
6,164,484 A	12/2000	Fiore et al.	220/521
D445,687 S *	7/2001	Gilbertson	D7/392.1
D450,537 S	11/2001	Hayes	D7/538

* cited by examiner

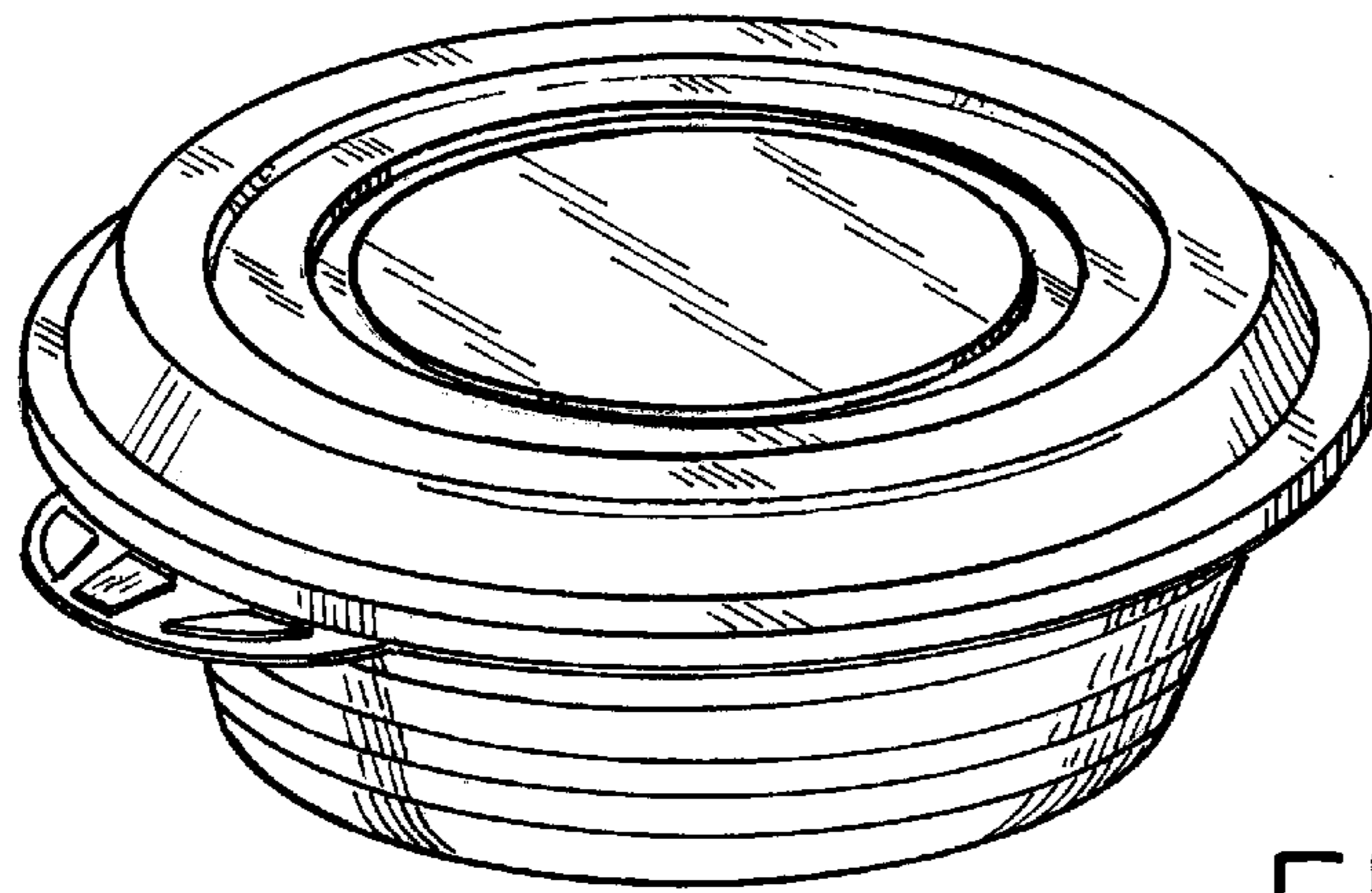


FIG. 1

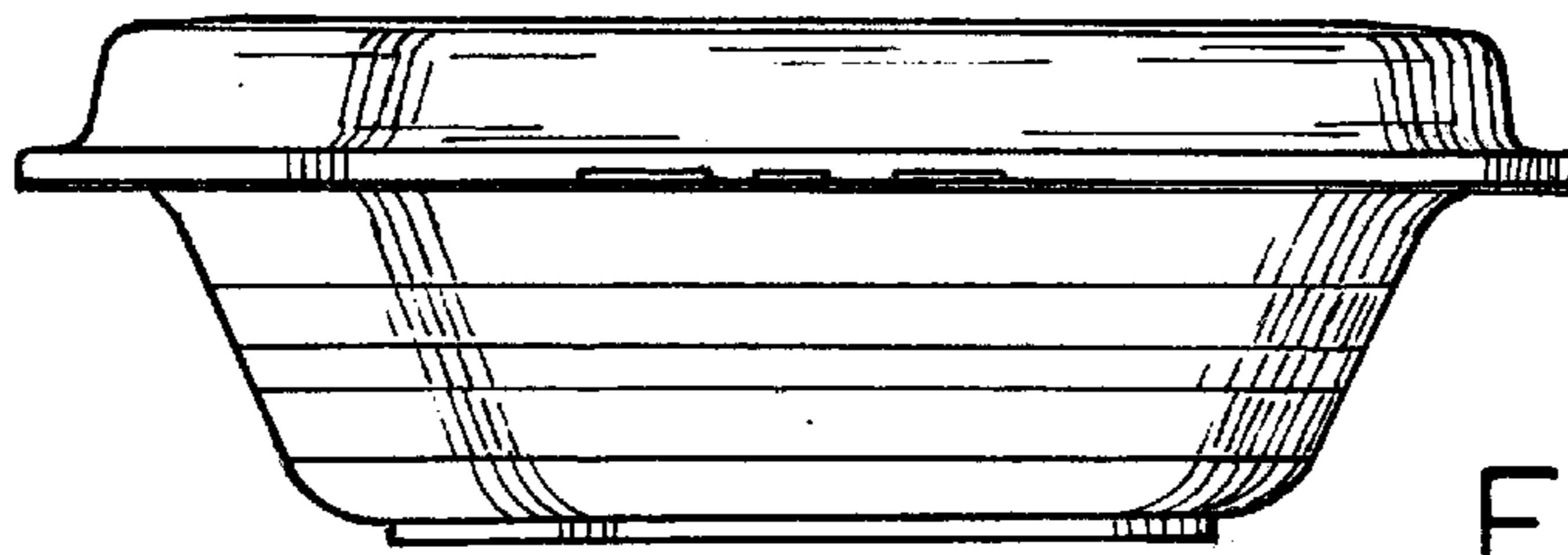


FIG. 2

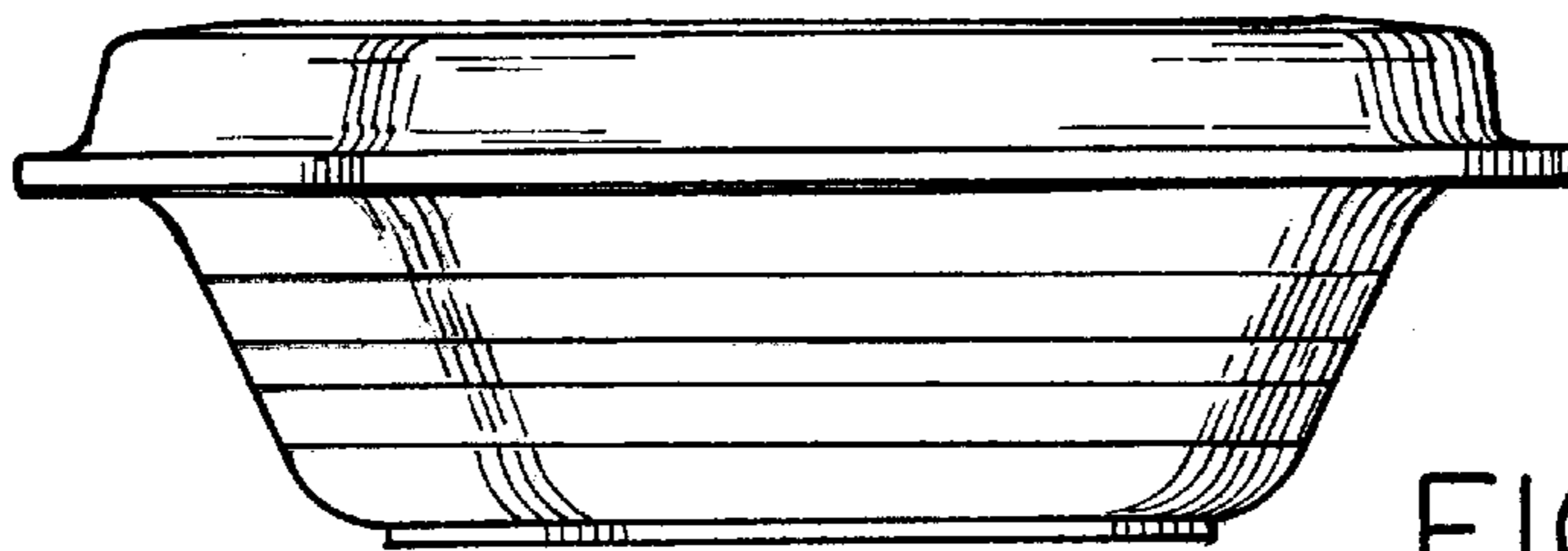


FIG. 3

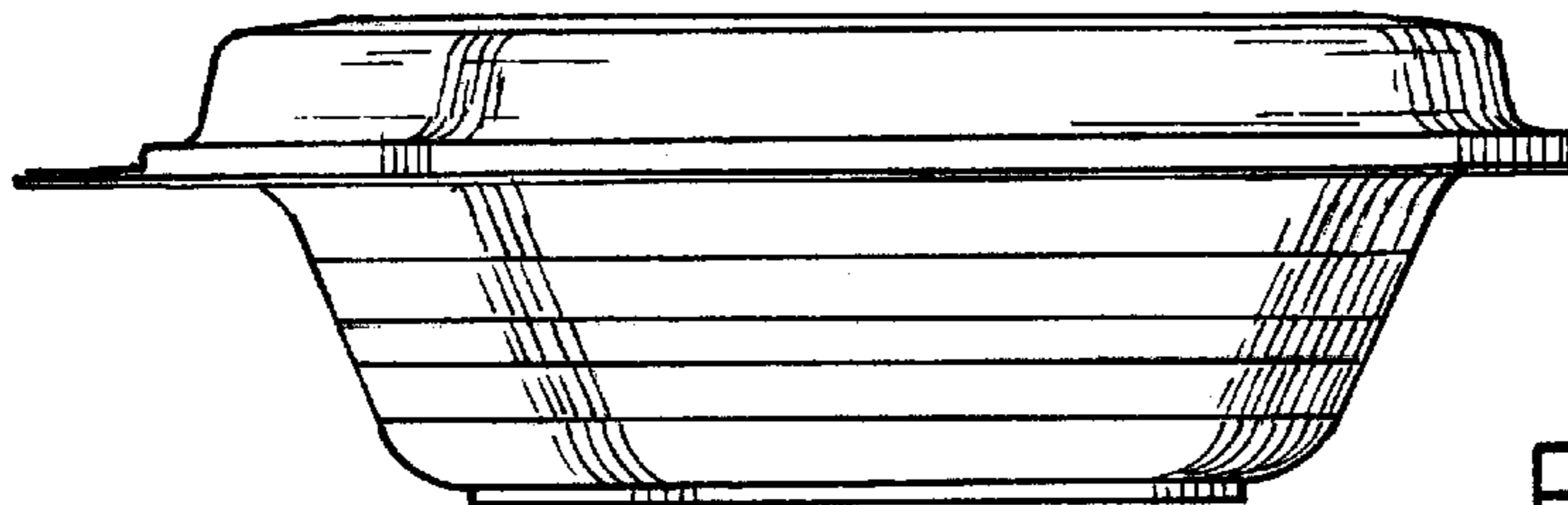


FIG. 4

