



US00D476860S

(12) **United States Design Patent**
Groendyke

(10) **Patent No.:** **US D476,860 S**

(45) **Date of Patent:** **** Jul. 8, 2003**

(54) **CLAMP-ON CUP HOLDER**

(76) **Inventor:** **Richard L. Groendyke**, 2251 Rampart Bl., Las Vegas, NV (US) 89128

(**) **Term:** **14 Years**

(21) **Appl. No.:** **29/166,085**

(22) **Filed:** **Aug. 20, 2002**

(51) **LOC (7) Cl.** **07-06**

(52) **U.S. Cl.** **D7/620**

(58) **Field of Search** D7/619, 620, 624;
211/71.01, 74, 75; 224/409, 547, 558, 566,
926; 248/309.1, 311.2, 313; 297/188.01,
188.18, 188.2, 188.21, 188.14; D12/114,
419, 420, 411

(56) **References Cited**

U.S. PATENT DOCUMENTS

- 3,269,683 A * 8/1966 Shinaver 248/311.2
- 4,344,303 A * 8/1982 Kelly, Jr. 62/530
- D266,834 S * 11/1982 Sinkhorn et al. D12/411

- D377,886 S * 2/1997 Colton D7/620
- D404,975 S * 2/1999 Fegan D7/620
- D429,969 S * 8/2000 Frankel D7/620

* cited by examiner

Primary Examiner—Terry A. Wallace

(74) *Attorney, Agent, or Firm*—James G. O’Neill

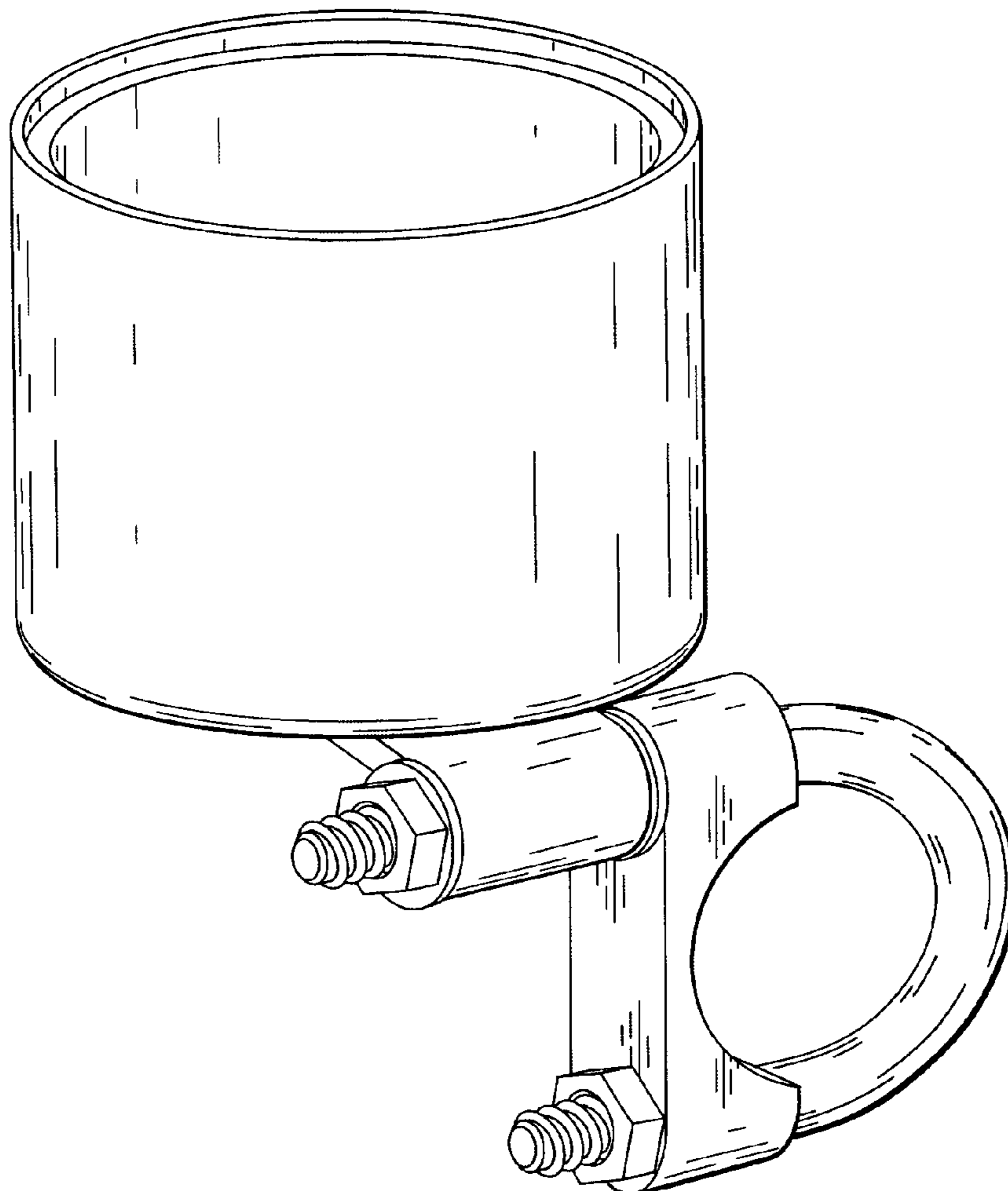
(57) **CLAIM**

The ornamental design for a clamp-on cup holder, as shown and described.

DESCRIPTION

FIG. 1 is a front perspective view of a clamp-on cup holder present invention;
FIG. 2 is a front elevational view of FIG. 1;
FIG. 3 is a left side elevational view of FIG. 1;
FIG. 4 is a right side elevational view of FIG. 1;
FIG. 5 is a rear elevational view of FIG. 1;
FIG. 6 is a top plan view of FIG. 1; and,
FIG. 7 is a bottom plan view of FIG. 1.

1 Claim, 3 Drawing Sheets



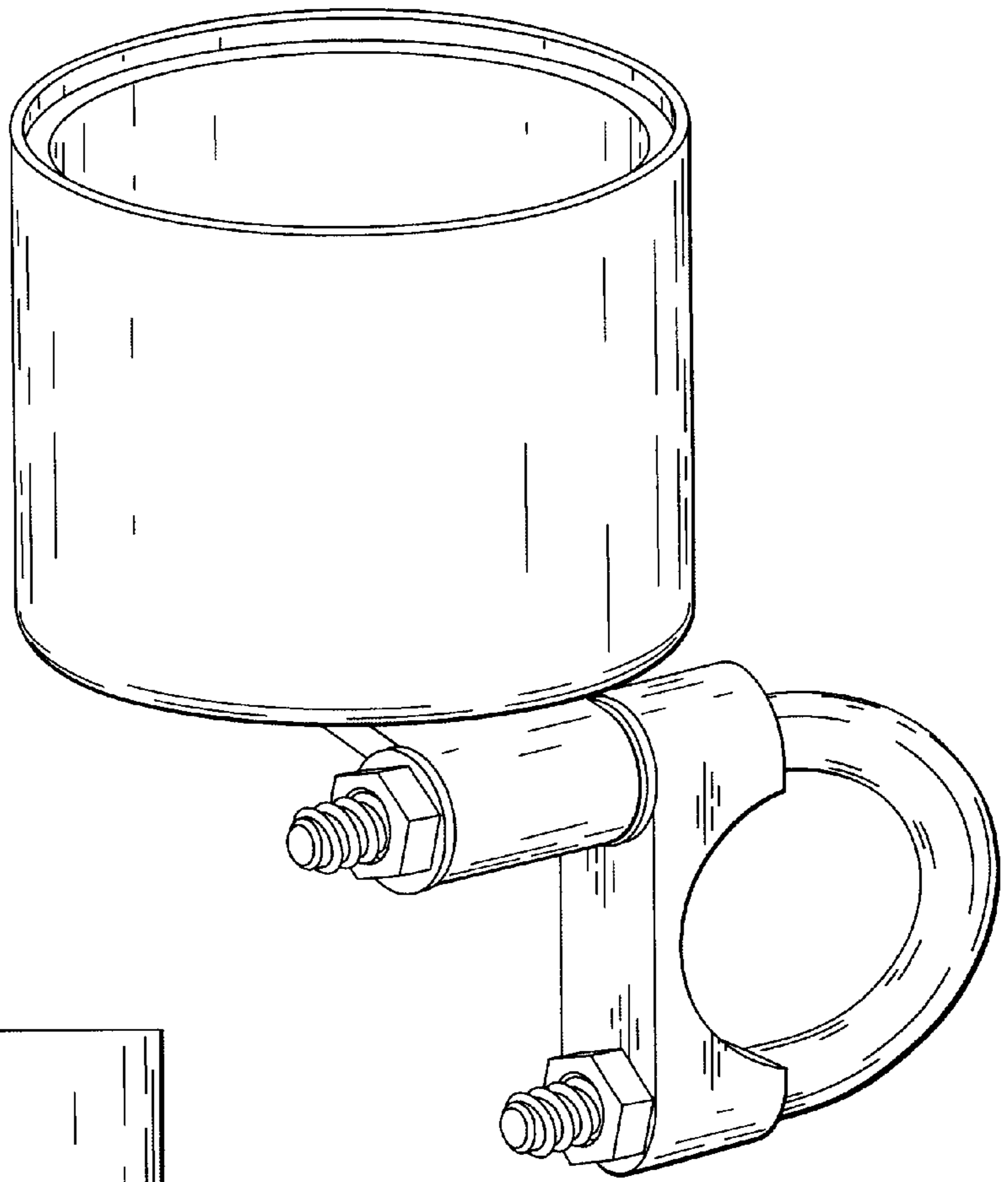


Fig. 1

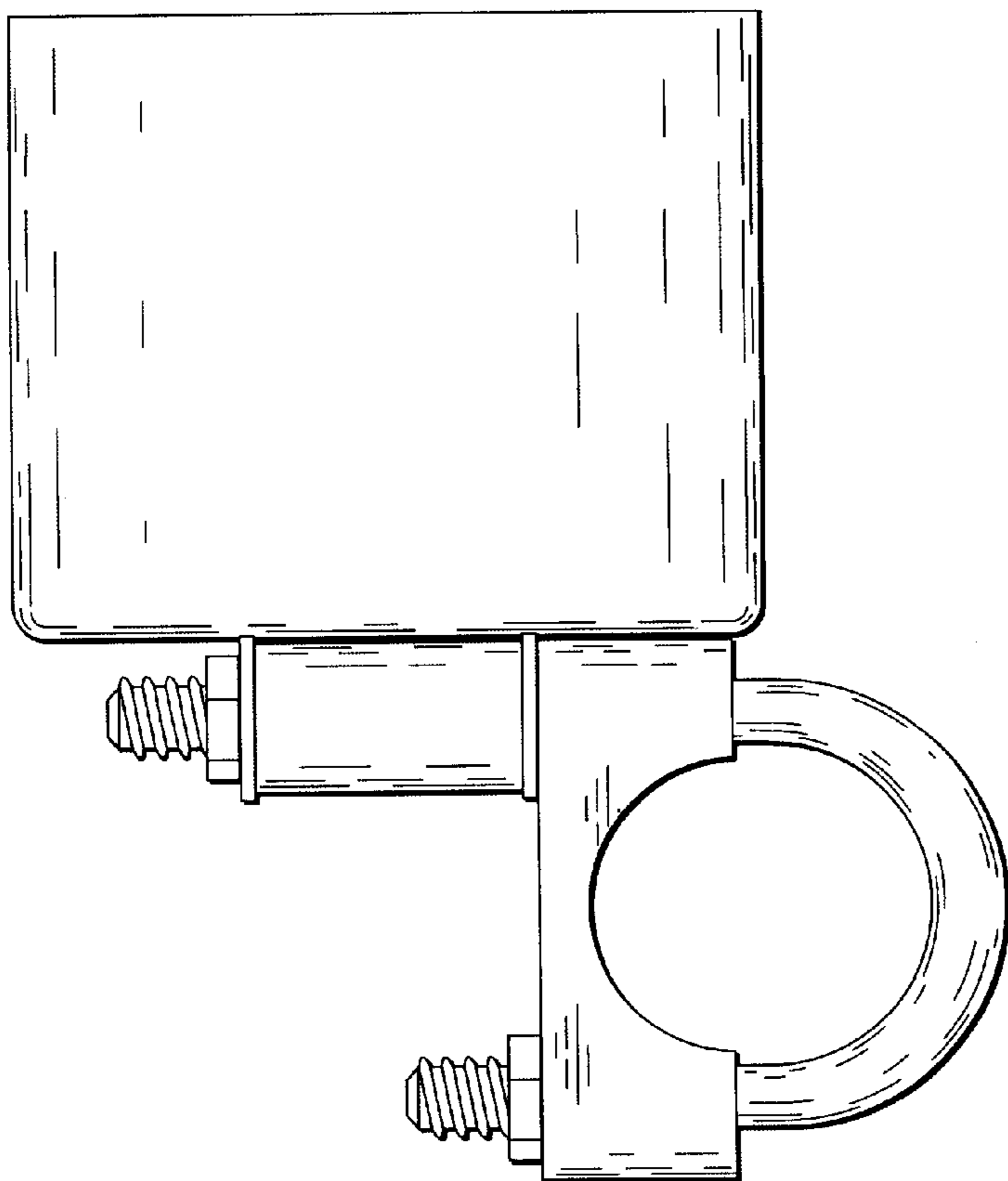


Fig. 2

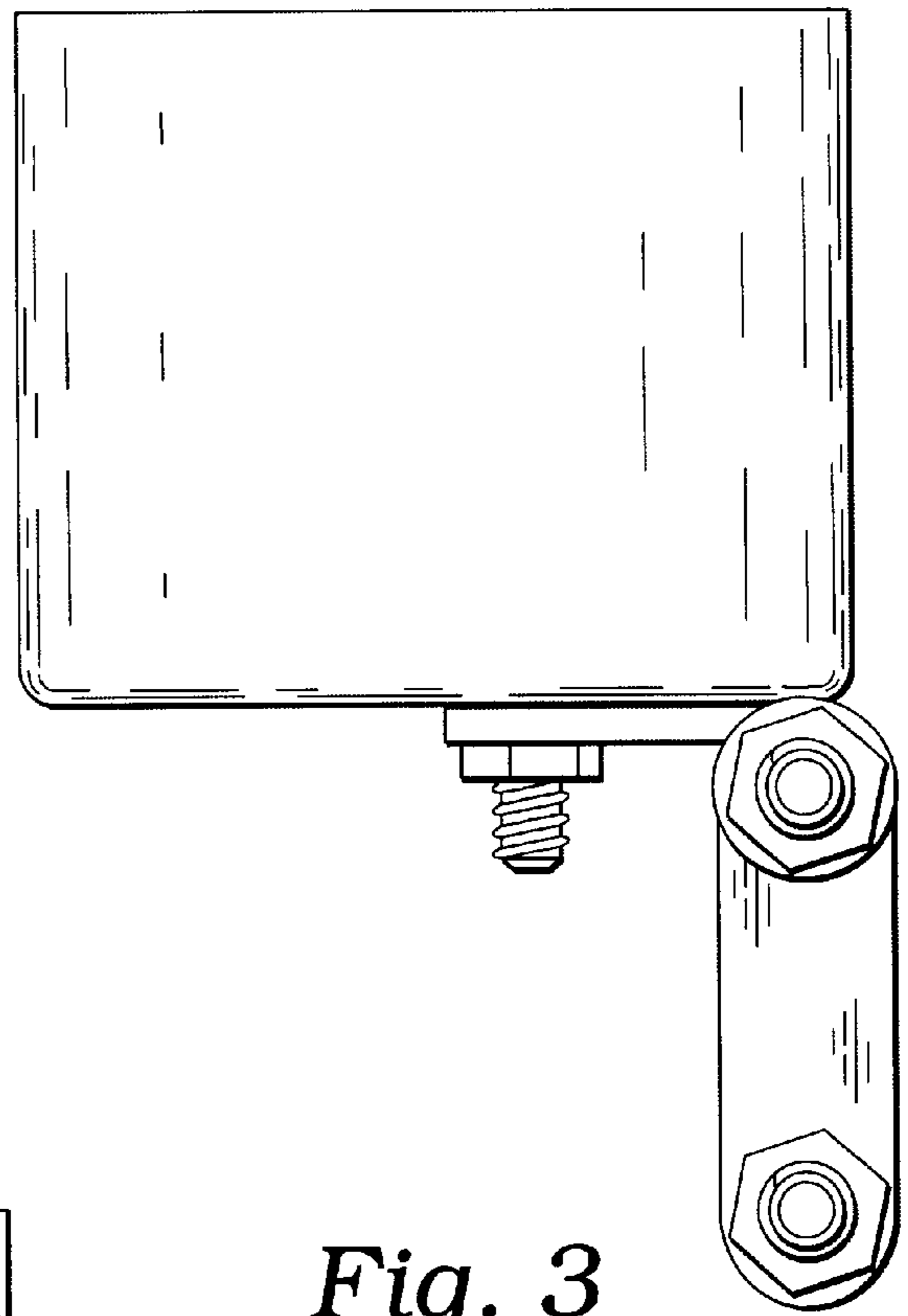


Fig. 3

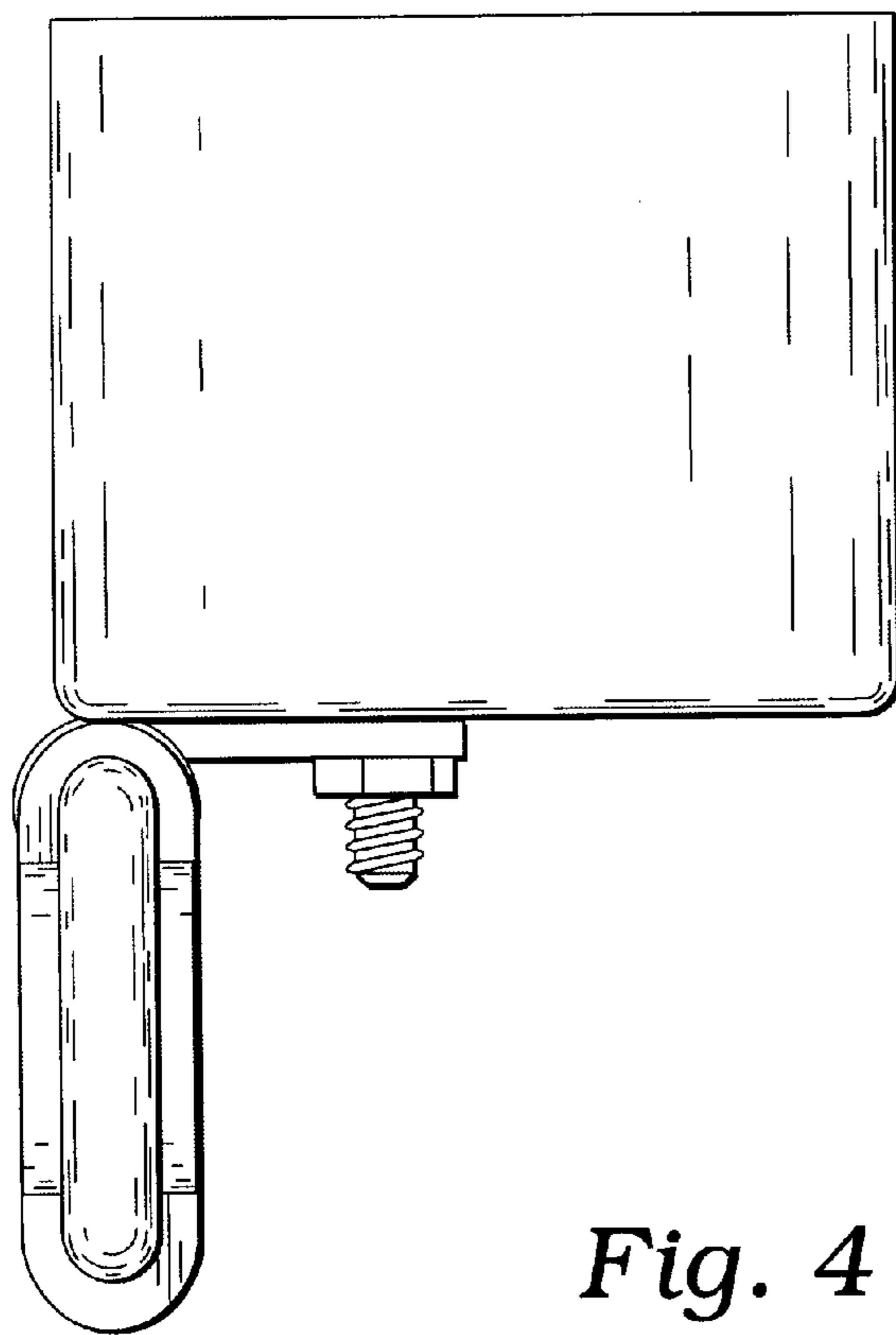


Fig. 4

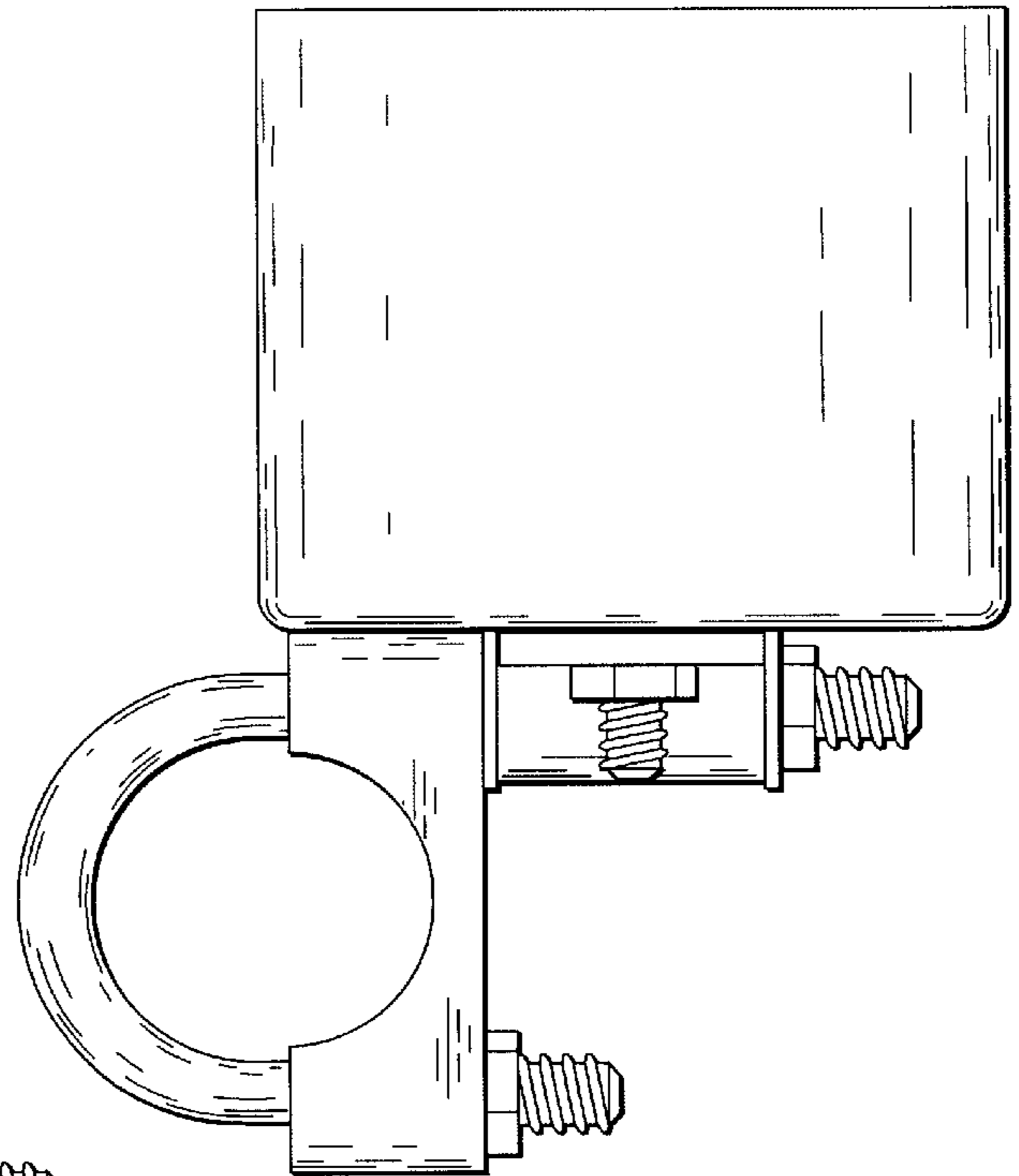


Fig. 5

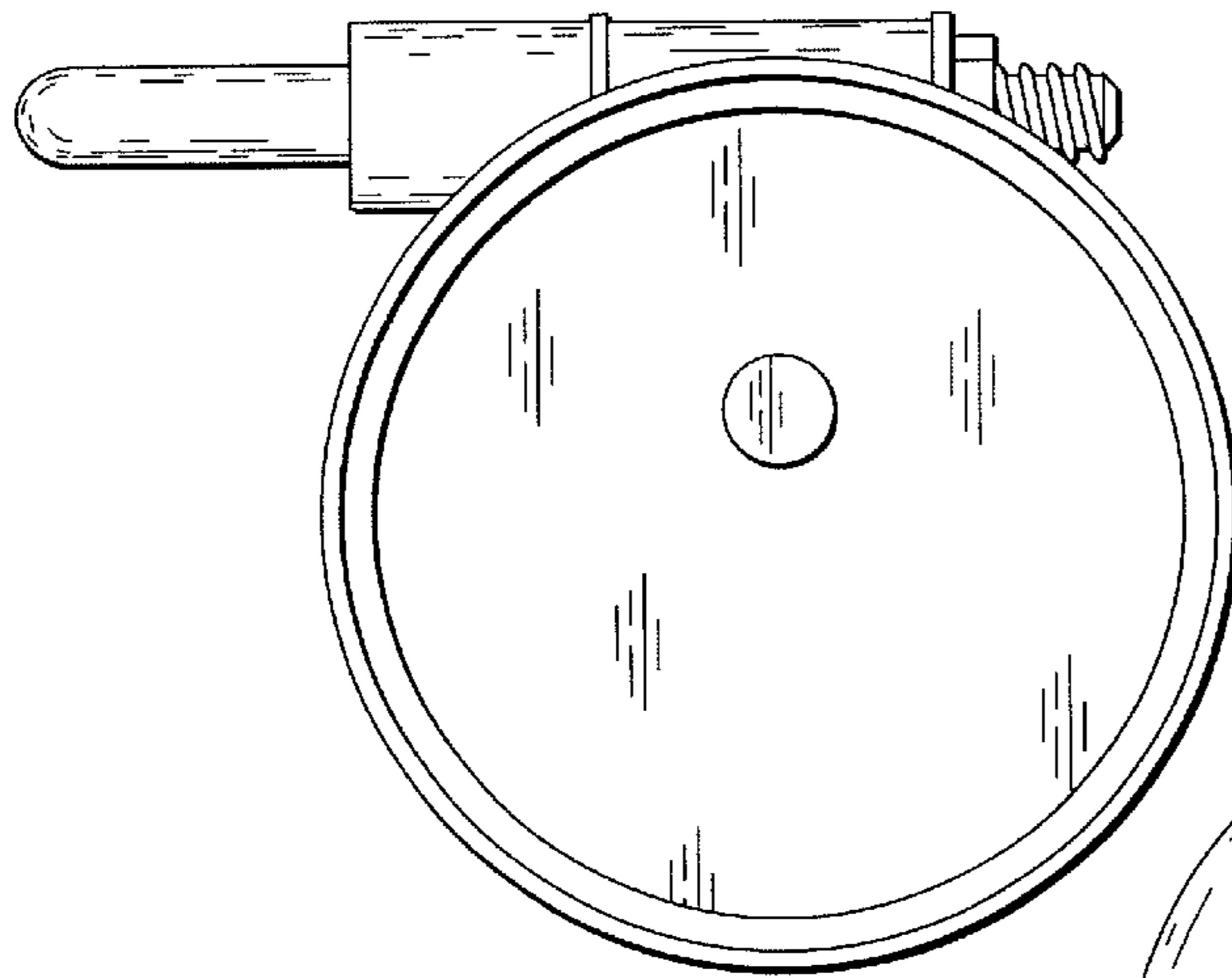


Fig. 6

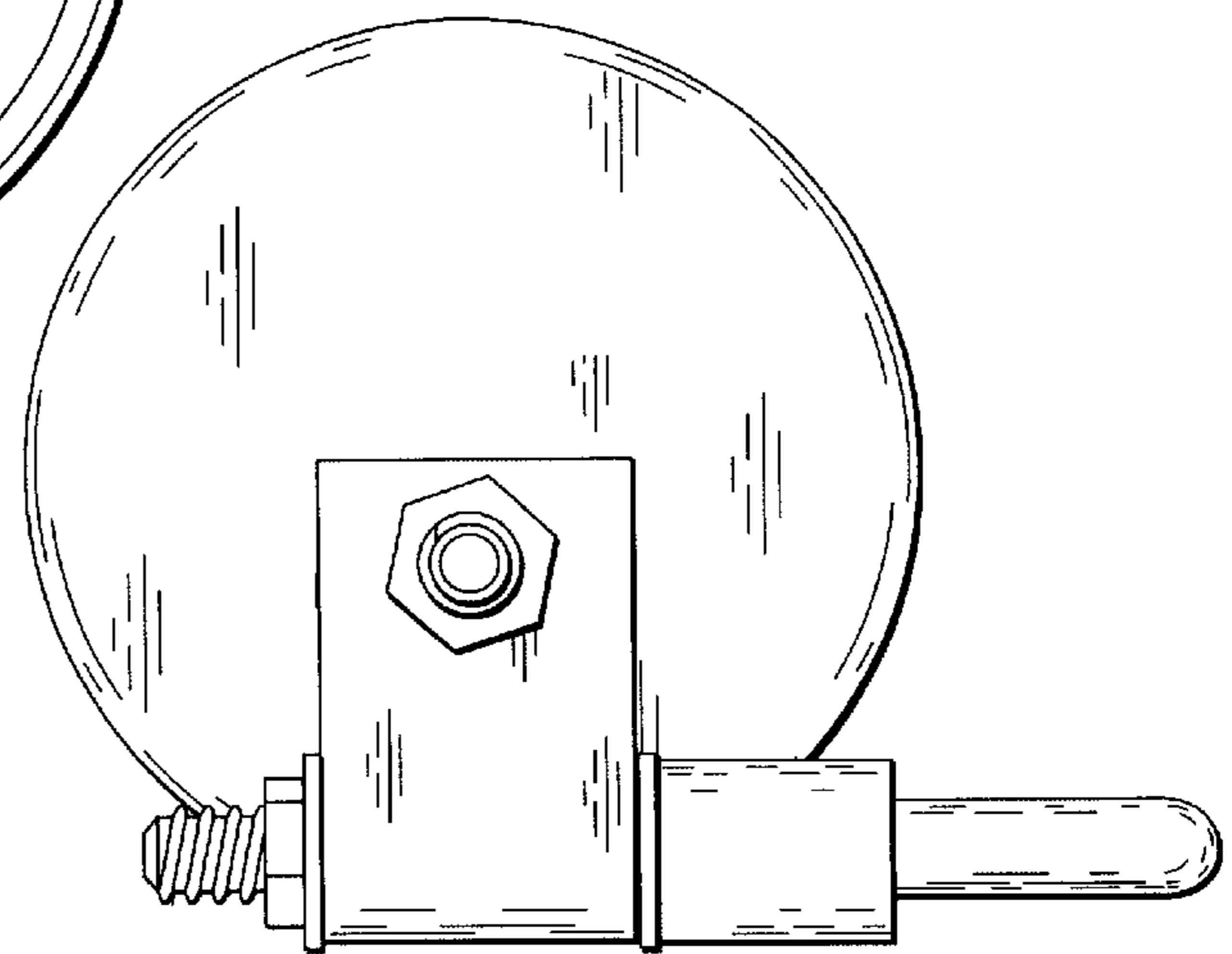


Fig. 7