



US00D476859S

(12) **United States Design Patent**
Short

(10) **Patent No.:** **US D476,859 S**

(45) **Date of Patent:** **** Jul. 8, 2003**

(54) **VACUUM BOTTLE**

(75) Inventor: **Kevin Short**, La Grange, IL (US)

(73) Assignee: **Thermos L.L.C.**, Rolling Meadows, IL (US)

(**) Term: **14 Years**

(21) Appl. No.: **29/160,723**

(22) Filed: **May 15, 2002**

(51) **LOC (7) Cl.** **07-01**

(52) **U.S. Cl.** **D7/608**

(58) **Field of Search** D7/605-608, 509-511;
D9/500-503, 504; 215/12.1, 12.2, 13.1;
220/592.27; 62/457.1-457.7

(56) **References Cited**

U.S. PATENT DOCUMENTS

D246,858 S	*	1/1978	Larson	D7/608 X
D411,717 S	*	6/1999	Moran	D7/608
D425,374 S	*	5/2000	Besser et al.	D7/608

* cited by examiner

Primary Examiner—Terry A. Wallace

(74) *Attorney, Agent, or Firm*—Wood, Phillips, Katz, Clark & Mortimer

(57) **CLAIM**

The ornamental design of a vacuum bottle, as shown and described.

DESCRIPTION

FIG. 1 is a perspective view of my vacuum bottle design taken from above;

FIG. 2 is a perspective view of my vacuum bottle design taken from below and at about 180° to FIG. 1;

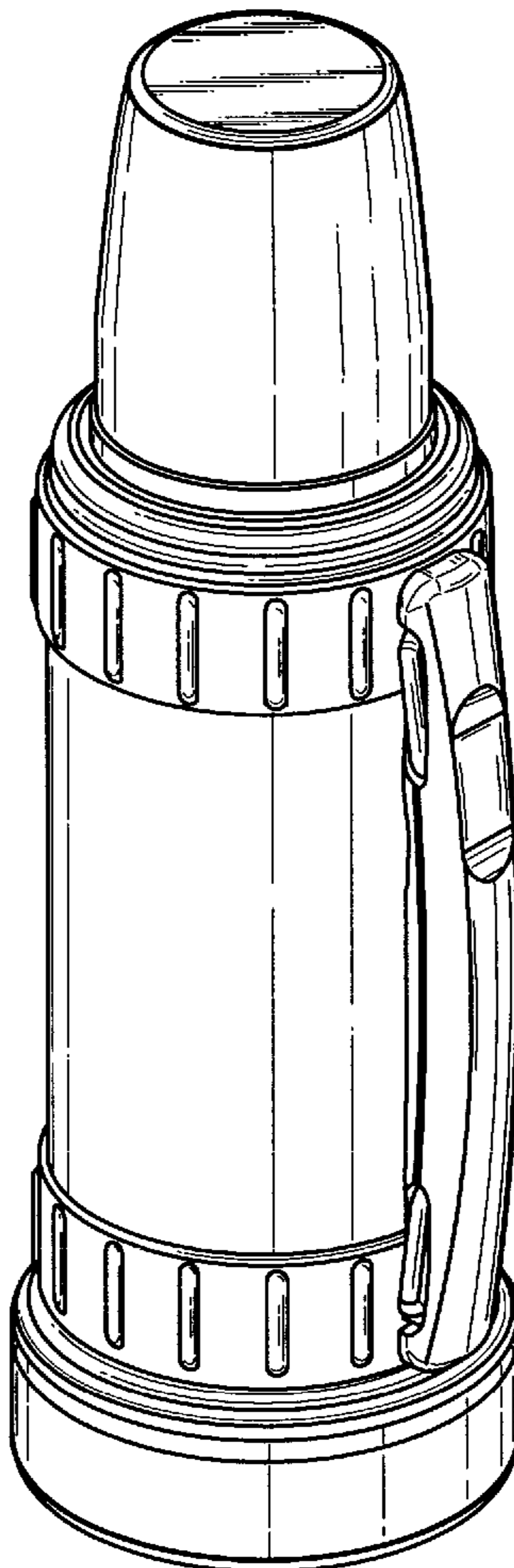
FIG. 3 is a side elevation of my vacuum bottle design, it being understood that a side elevation taken from about 180° from this FIG. 3 is a mirror image thereof;

FIG. 4 is a side elevation of my vacuum bottle design taken from the right of FIG. 3;

FIG. 5 is a side elevation of my vacuum bottle design taken from the left of FIG. 3;

FIG. 6 is a plan view of my vacuum bottle design; and, FIG. 7 is a bottom view of my vacuum bottle design.

1 Claim, 3 Drawing Sheets



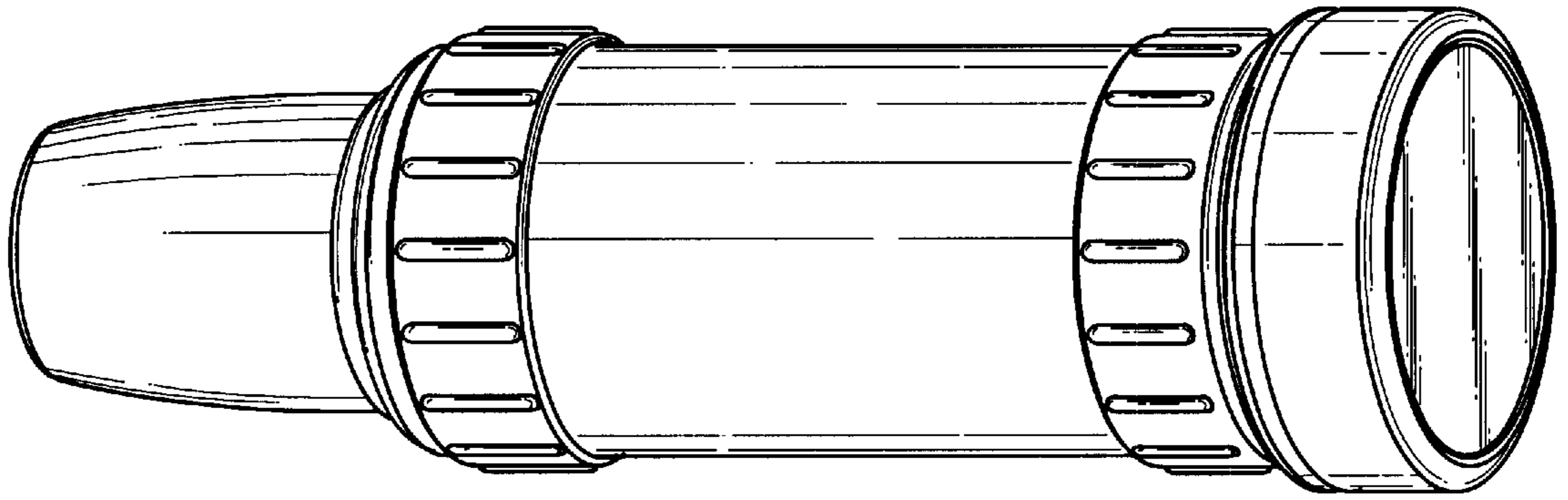


Fig. 2

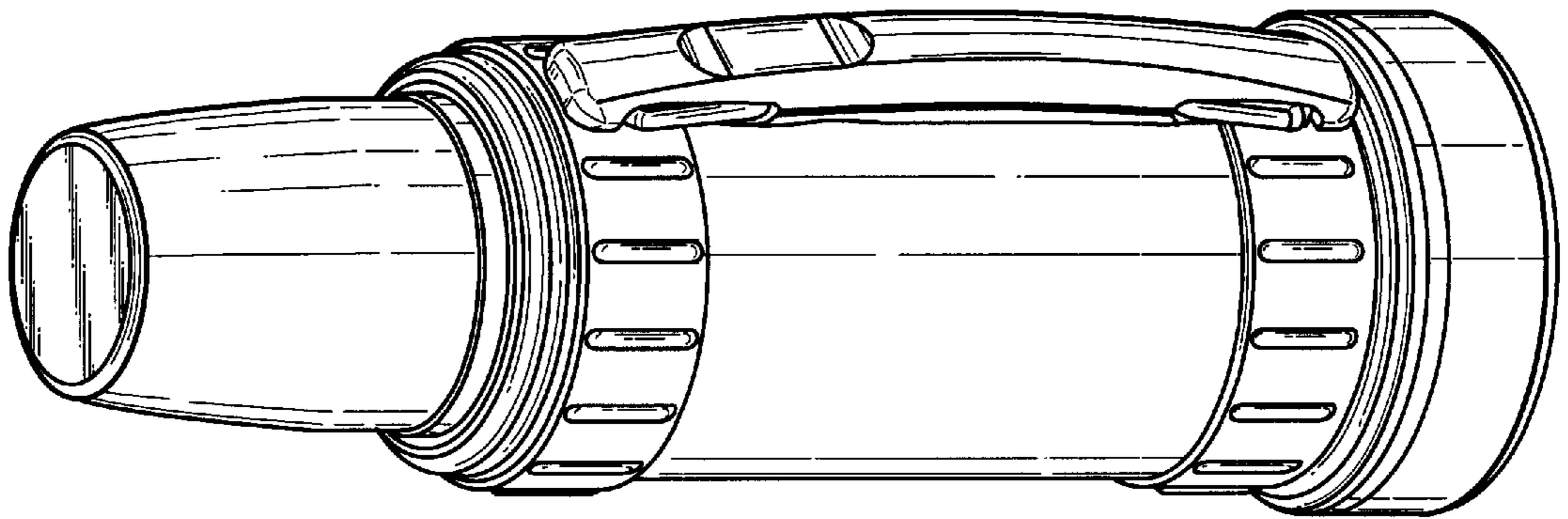


Fig. 1

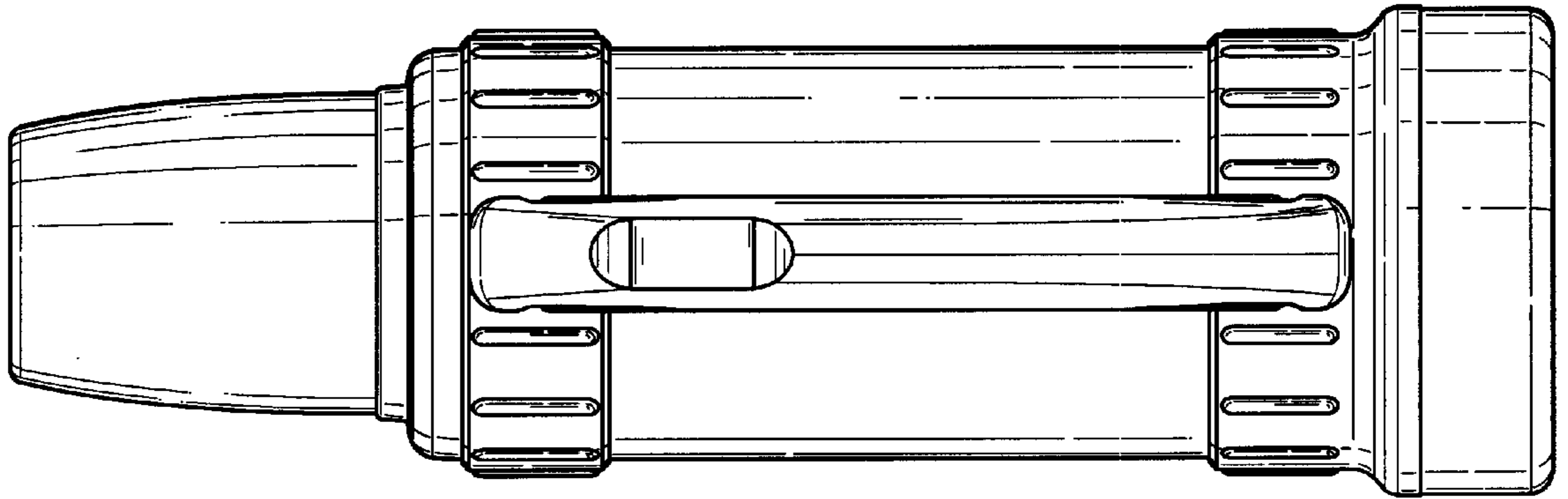


Fig. 4

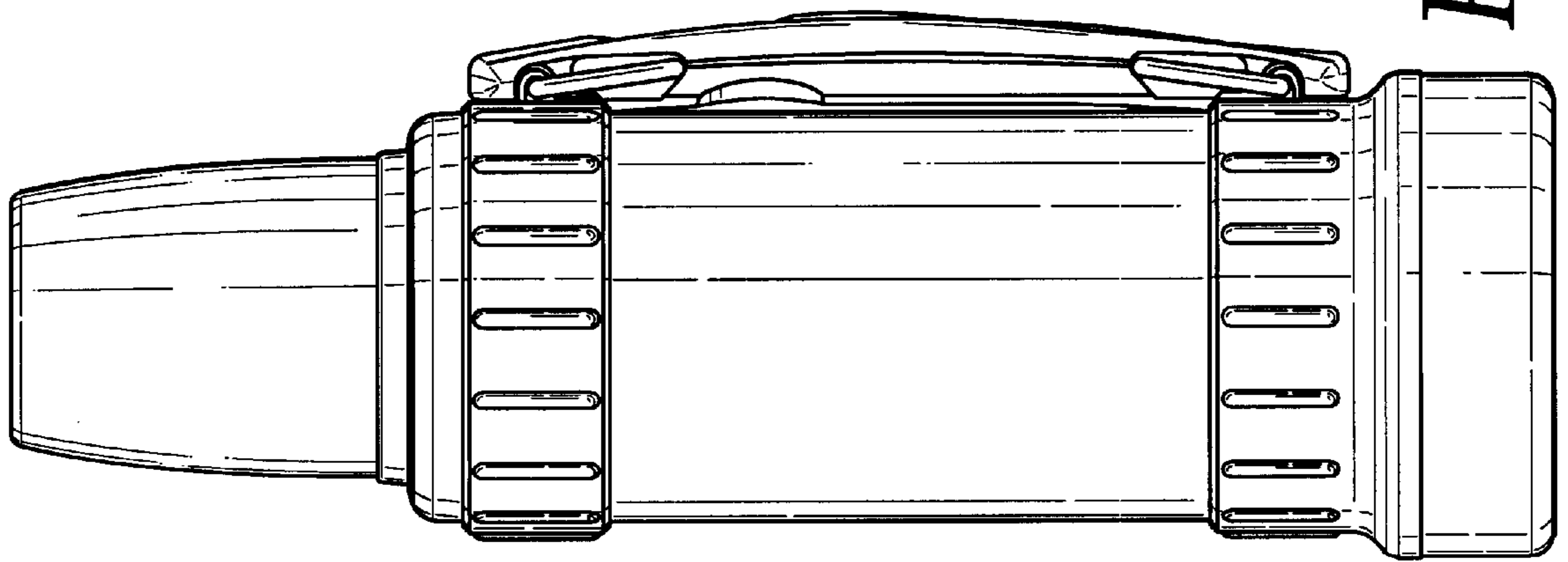


Fig. 3

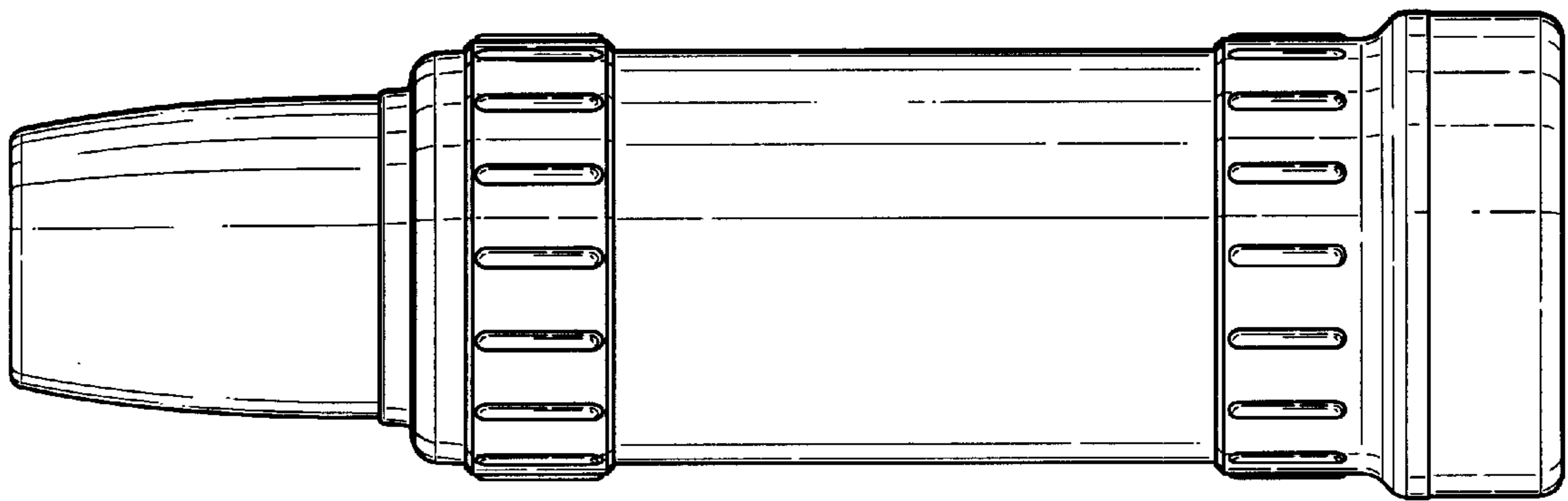


Fig. 5

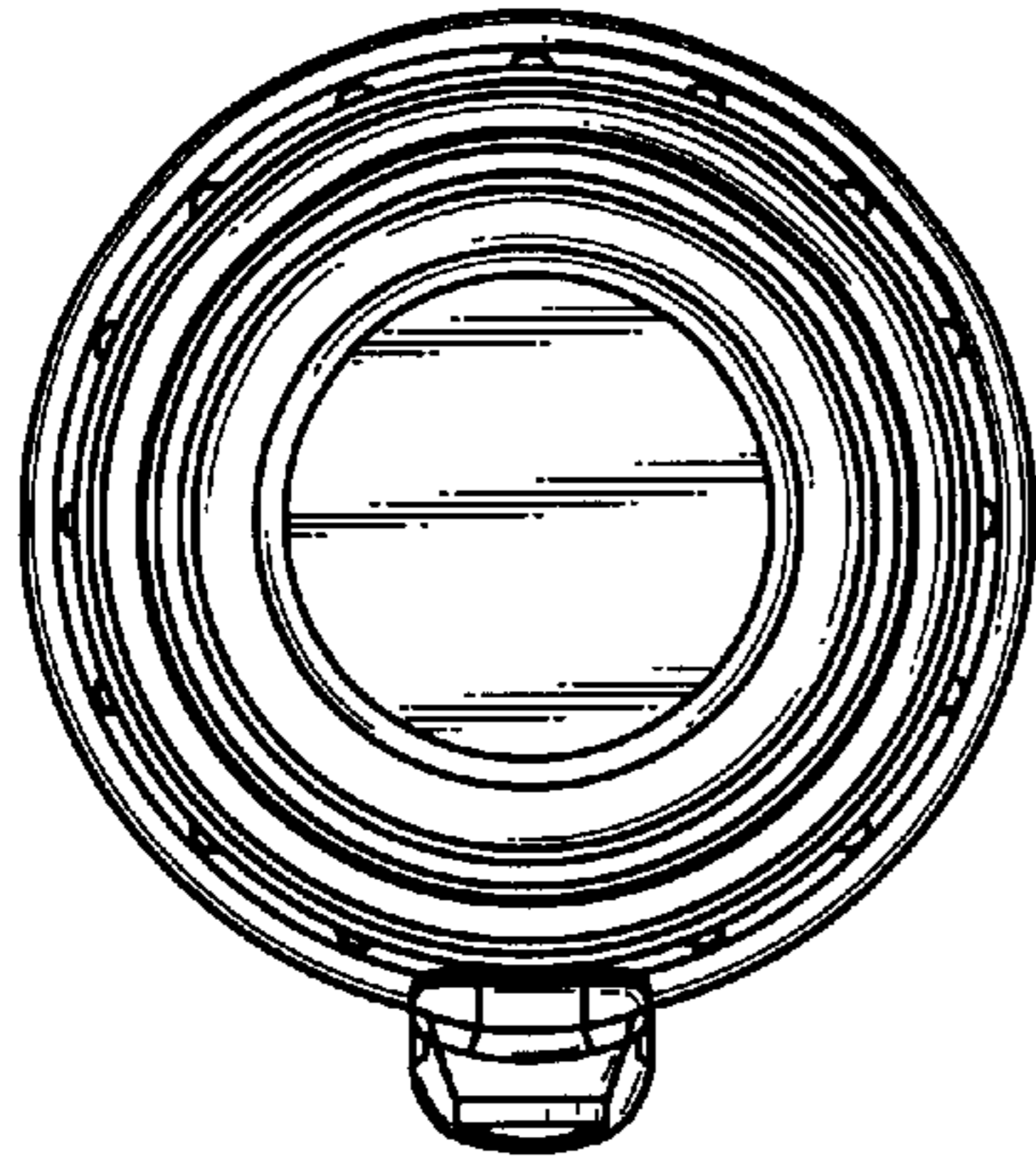


Fig. 6

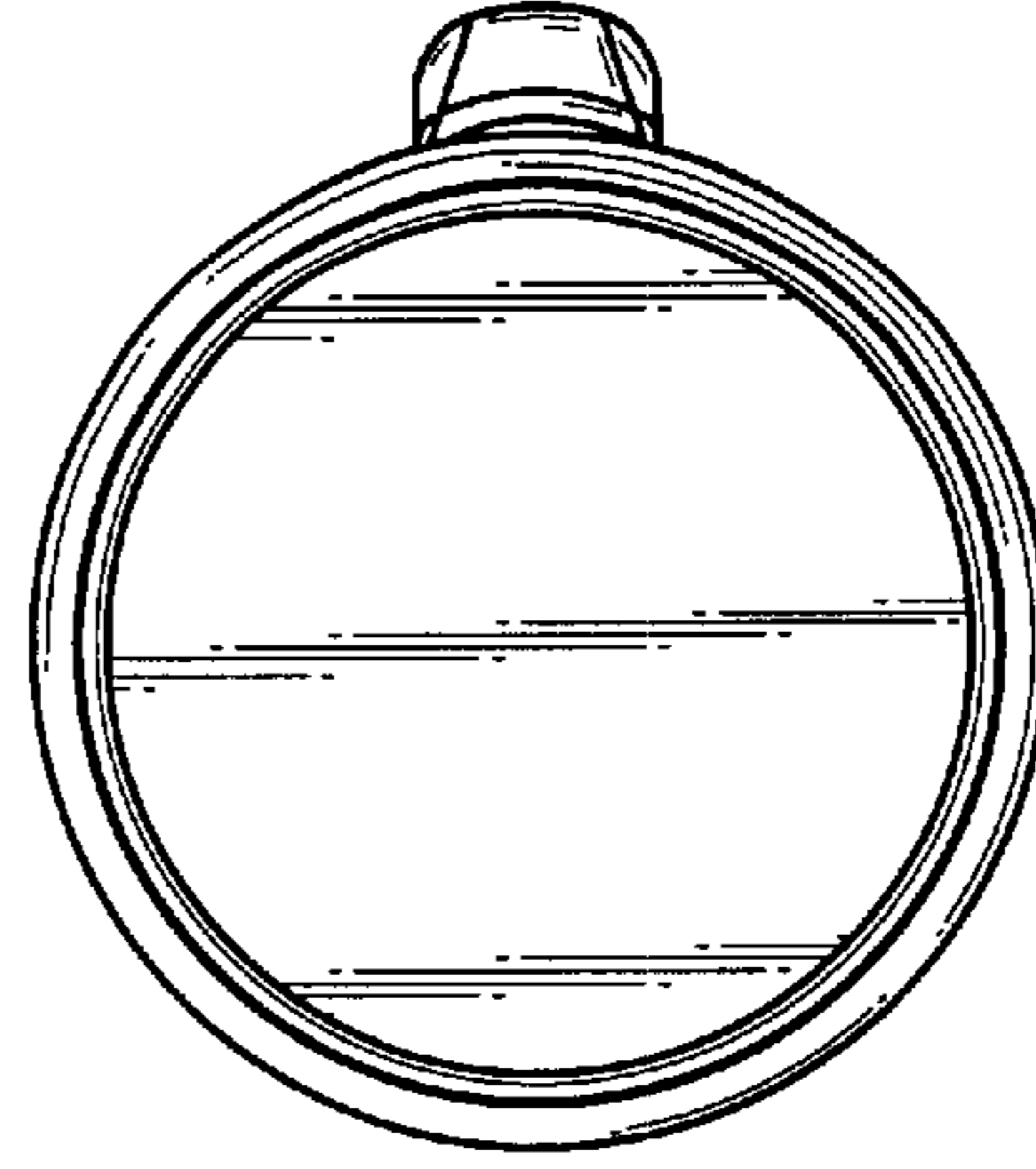


Fig. 7