



US00D476857S

(12) **United States Design Patent**  
**Holsinger**

(10) **Patent No.:** **US D476,857 S**

(45) **Date of Patent:** **\*\* Jul. 8, 2003**

(54) **INSULATED CONTAINER FOR A BEVERAGE GLASS**

5,467,891 A \* 11/1995 Perry ..... 220/739  
5,628,453 A \* 5/1997 MacLaughlin ..... 220/739 X

(75) Inventor: **Philip M. Holsinger**, Chicago, IL (US)

\* cited by examiner

(73) Assignee: **Thermos L.L.C.**, Rolling Meadows, IL (US)

*Primary Examiner*—Terry A. Wallace

(74) *Attorney, Agent, or Firm*—Wood, Phillips, Katz, Clark & Mortimer

(\*\*) Term: **14 Years**

(57) **CLAIM**

(21) Appl. No.: **29/160,708**

The ornamental design of an insulated container for a beverage glass, as shown and described.

(22) Filed: **May 15, 2002**

**DESCRIPTION**

(51) **LOC (7) Cl.** ..... **07-01**

(52) **U.S. Cl.** ..... **D7/608; D7/523**

(58) **Field of Search** ..... D7/605–608, 619, D7/624, 509, 523, 531; 215/395, 396; 62/457.1–457.4; 220/737, 739, 592.16, 592.17, 592.2, 592.24–592.27, 902, 903, 711, 716, 719, 703

FIG. 1 is a perspective view my insulated container for a beverage glass design taken from the top thereof;

FIG. 2 is a perspective view of my insulated container for a beverage glass design taken from the bottom thereof;

FIG. 3 is a side elevation view of my insulated container for a beverage glass design as it would appear from any side thereof;

FIG. 4 is a plan view of my insulated container for a beverage glass design; and,

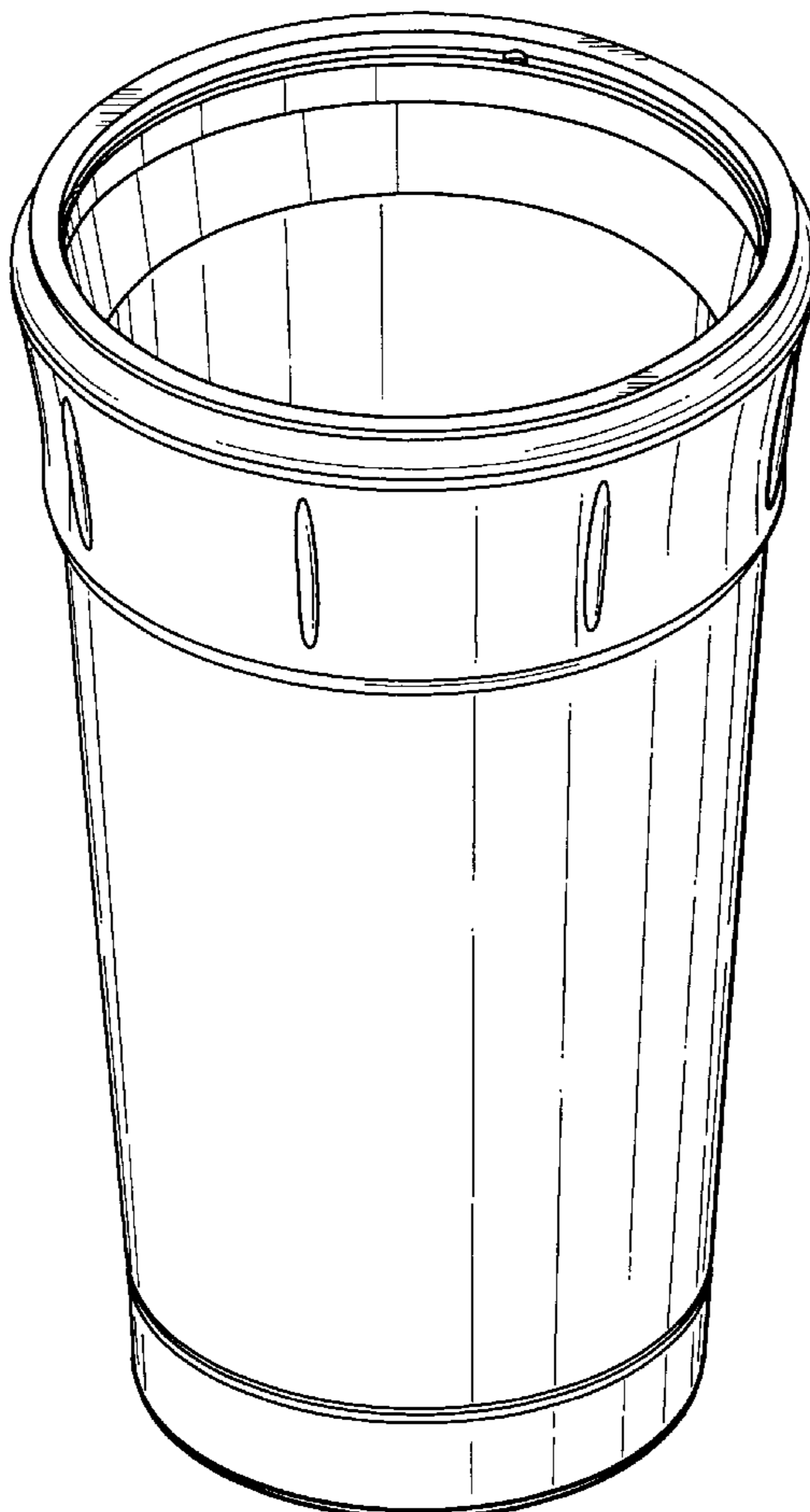
FIG. 5 is a bottom view of my insulated container for a beverage glass design.

(56) **References Cited**

**U.S. PATENT DOCUMENTS**

2,863,585 A \* 12/1958 Meshberg ..... 220/592.17  
D324,976 S \* 3/1992 Katz ..... D7/619  
5,253,780 A \* 10/1993 Adado ..... 220/737 X  
D353,297 S \* 12/1994 Sokolski et al. .... D7/523 X

**1 Claim, 3 Drawing Sheets**



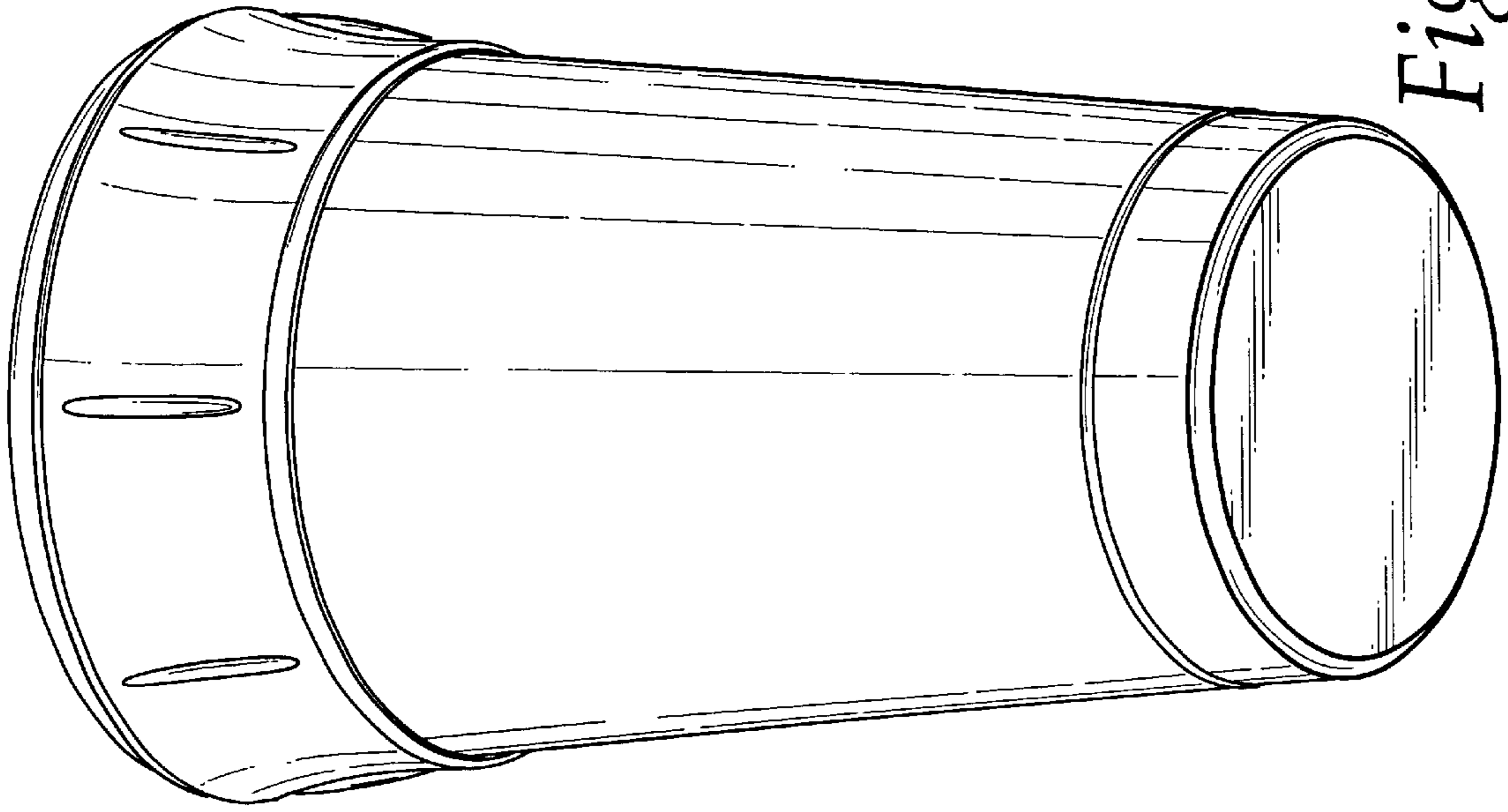


Fig. 2

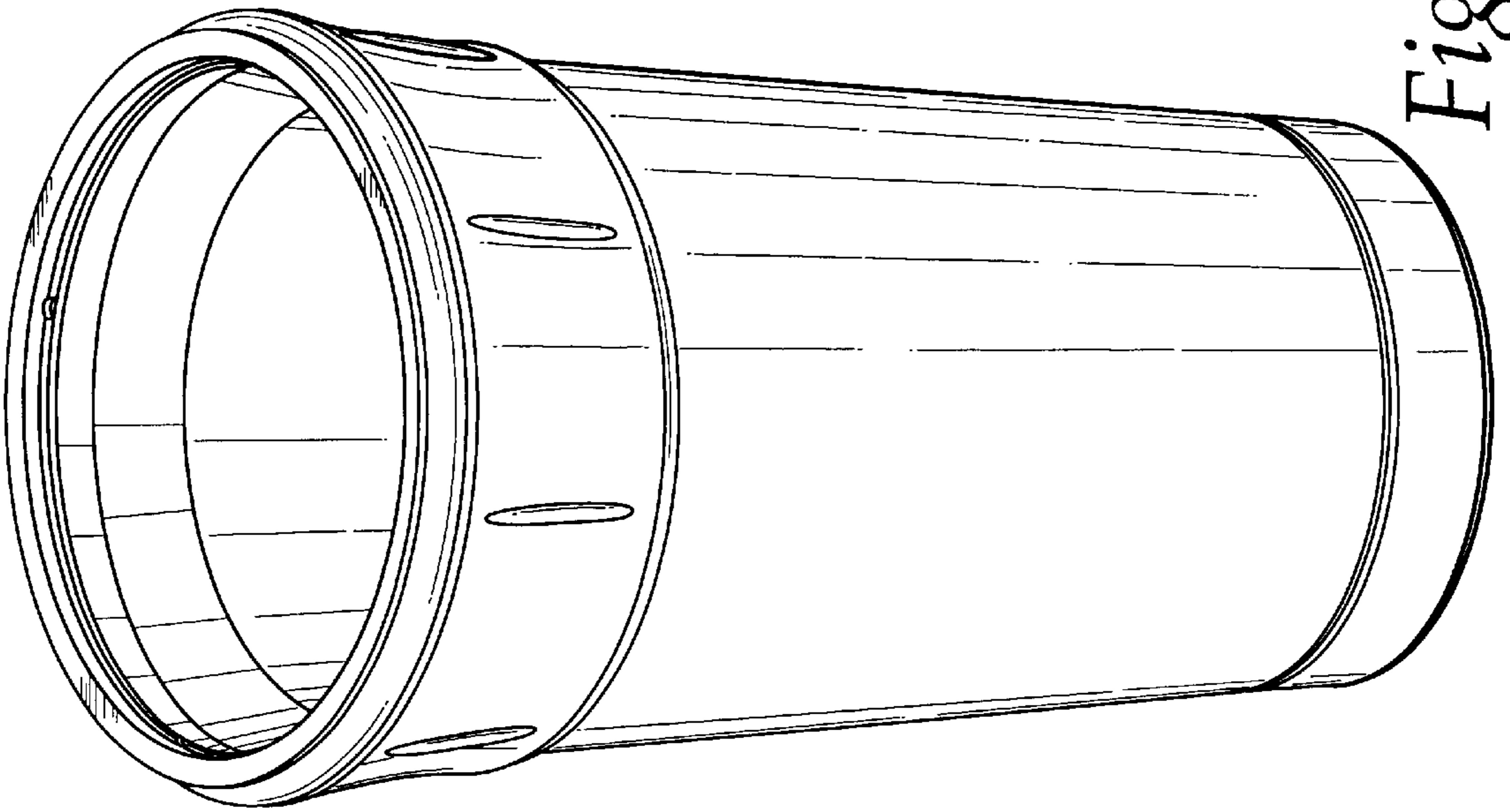
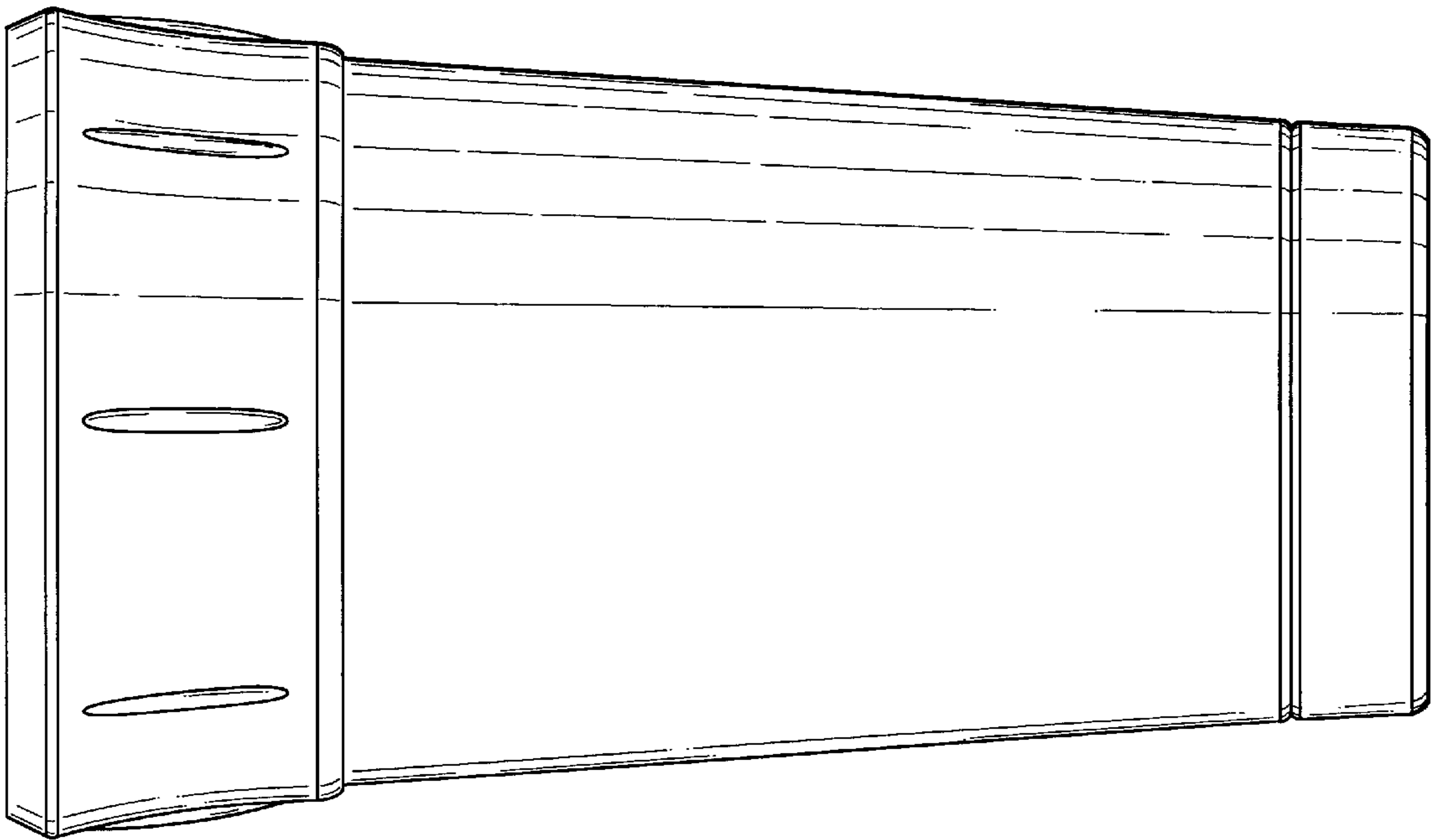


Fig. 1



*Fig. 3*

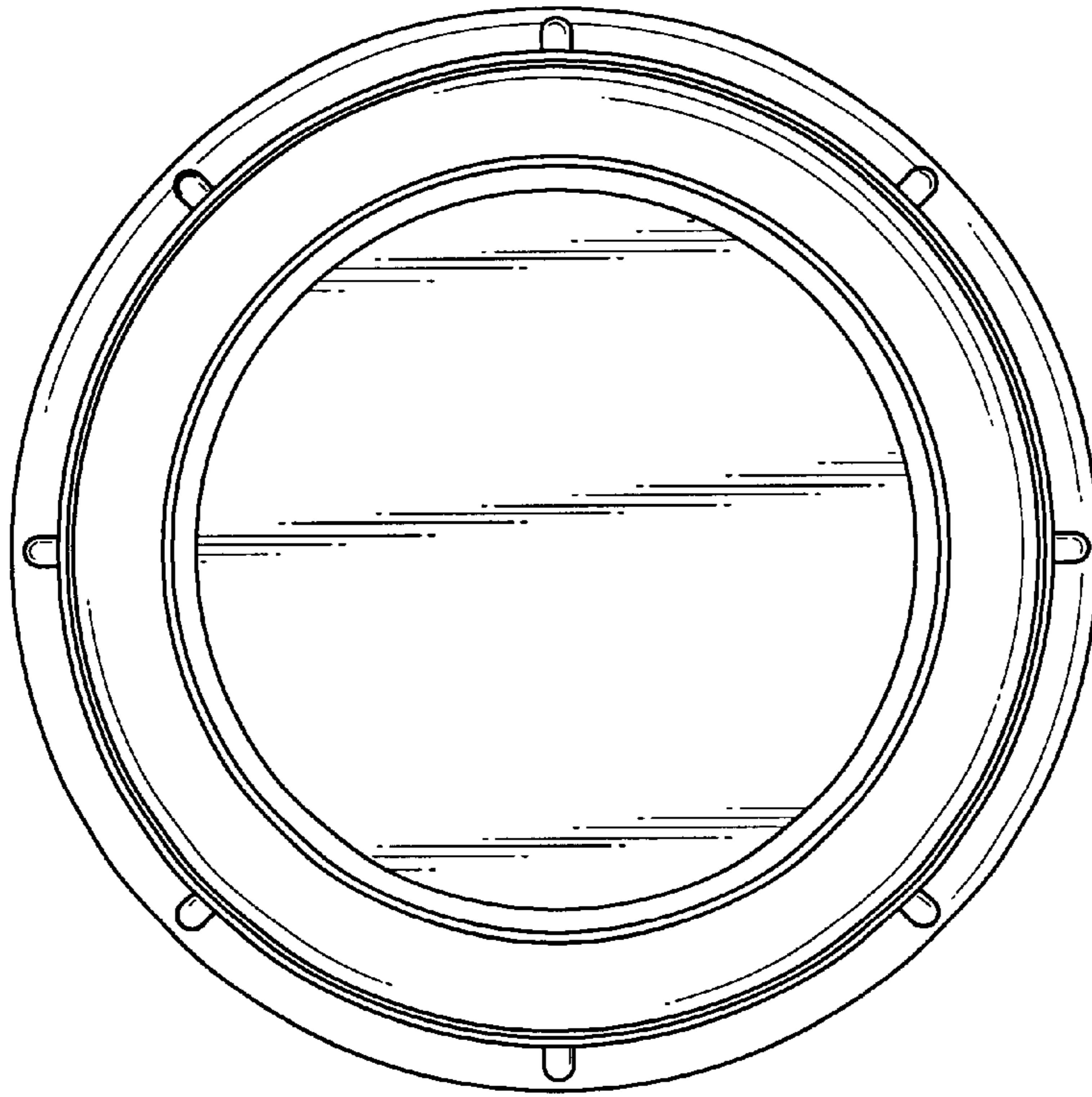


Fig. 5

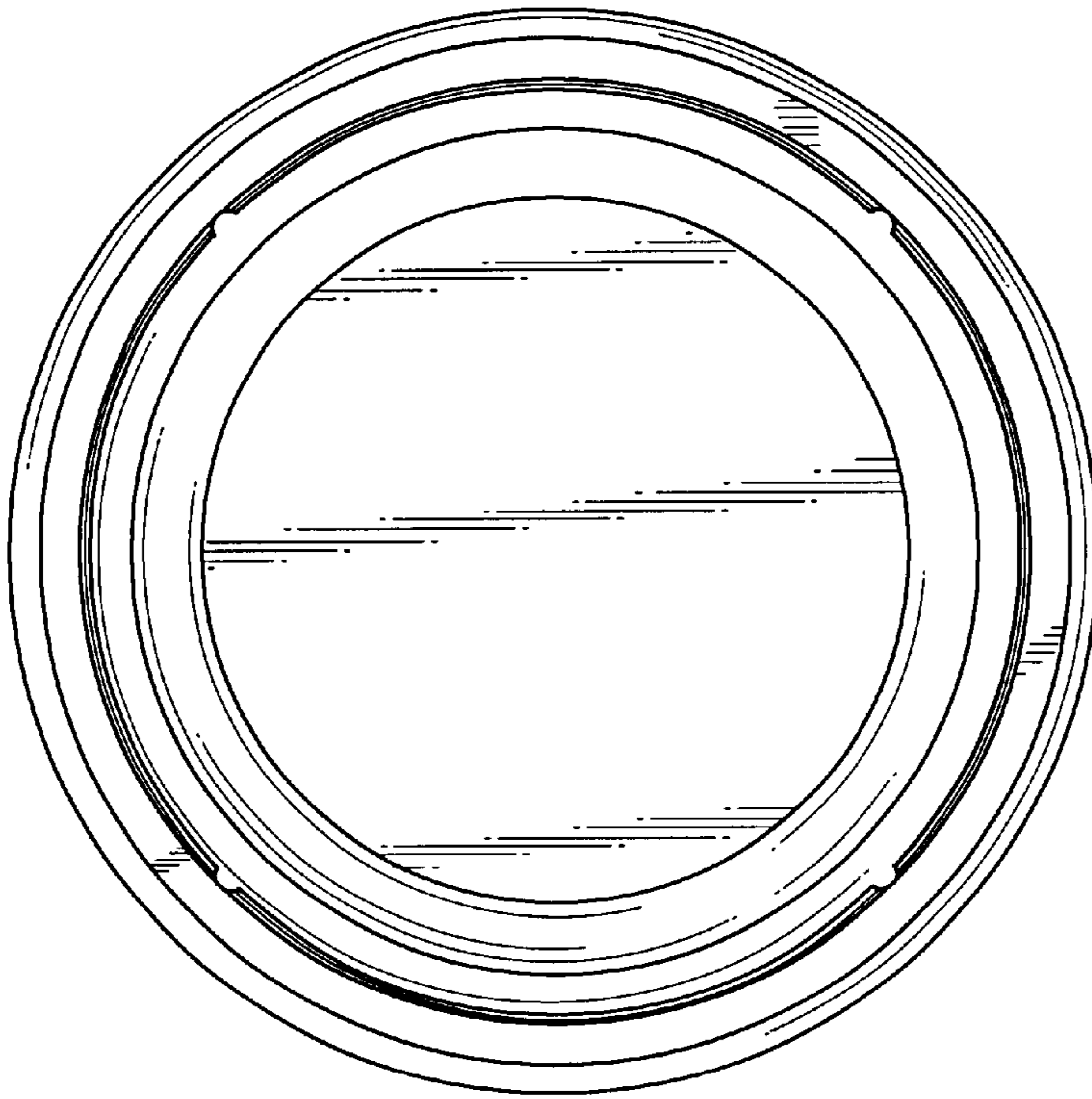


Fig. 4