



US00D476853S

(12) **United States Design Patent**
Jalet et al.

(10) **Patent No.: US D476,853 S**

(45) **Date of Patent: ** Jul. 8, 2003**

(54) **SERVING BOWL**

(75) Inventors: **Vincent Jalet**, Brussels (BE); **Robert H. C. M. Daenen**, Aalst (BE); **Victor J. J. Cautereels**, Ranst (BE)

(73) Assignee: **Dart Industries Inc.**, Orlando, FL (US)

(**) Term: **14 Years**

(21) Appl. No.: **29/155,437**

(22) Filed: **Feb. 7, 2002**

(51) **LOC (7) Cl.** **07-01**

(52) **U.S. Cl.** **D7/584; D7/586**

(58) **Field of Search** D7/543, 545-549,
D7/561, 562, 565, 584, 585, 586, 587,
554.2, 557, 360, 566, 393-395; 220/574,
575, 659

(56) **References Cited**

U.S. PATENT DOCUMENTS

D95,935 S	*	6/1935	Snyder	D7/565
D113,024 S	*	1/1939	Titze	D7/565
2,656,163 A	*	10/1953	Schwarz	220/606
D231,303 S		4/1974	Croyle et al.		
D237,677 S	*	11/1975	Gulotta	D7/584
D242,200 S		11/1976	Ashton		
4,809,868 A		3/1989	Pomroy		
4,892,213 A		1/1990	Mason		
D309,690 S		8/1990	Carlson		
D346,308 S		4/1994	Cautereels et al.		
D353,518 S		12/1994	Cautereels et al.		
D407,270 S		3/1999	Wilson	D7/529
D461,686 S	*	8/2002	Ping Liu	D7/584
D466,256 S	*	11/2002	Kaplan	D30/129

FOREIGN PATENT DOCUMENTS

GB 1059332 * 5/1989

GB 2040294 * 7/1994
GB 2104412 * 8/2001

OTHER PUBLICATIONS

Anchor Hocking Catalog, 1970, p. 11, bowl "DD" near the lower center of page.*
Rubbermaid, Professional Food Containers, Bowls, Serving Bowls and Dip Bowl, 2000, 2 pages.
Guzzini, Collection—Bild und Material, Schale and Schüssel, 2001, 5 pages.

* cited by examiner

Primary Examiner—Charles A. Rademaker

(74) *Attorney, Agent, or Firm*—John A. Doninger

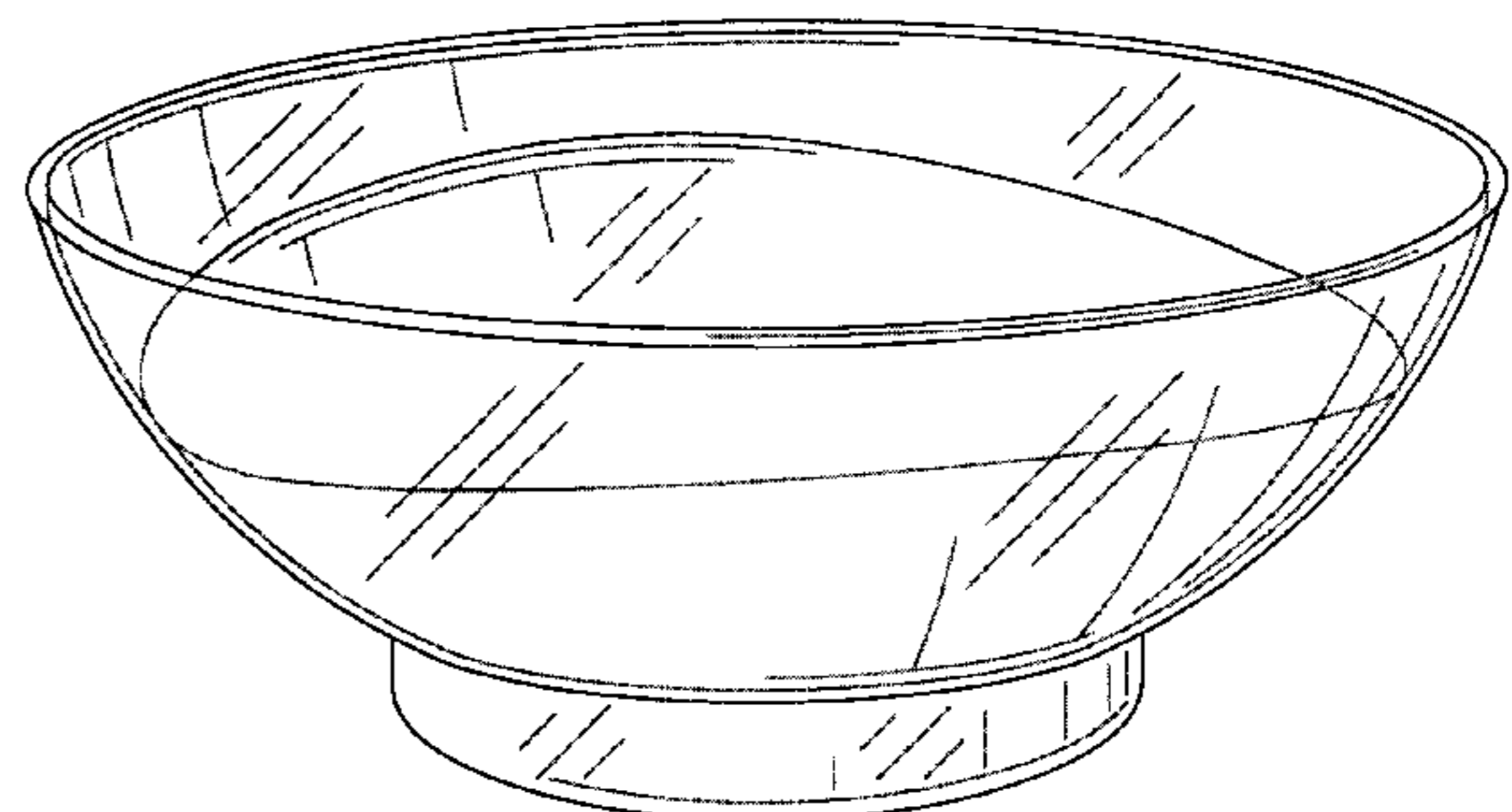
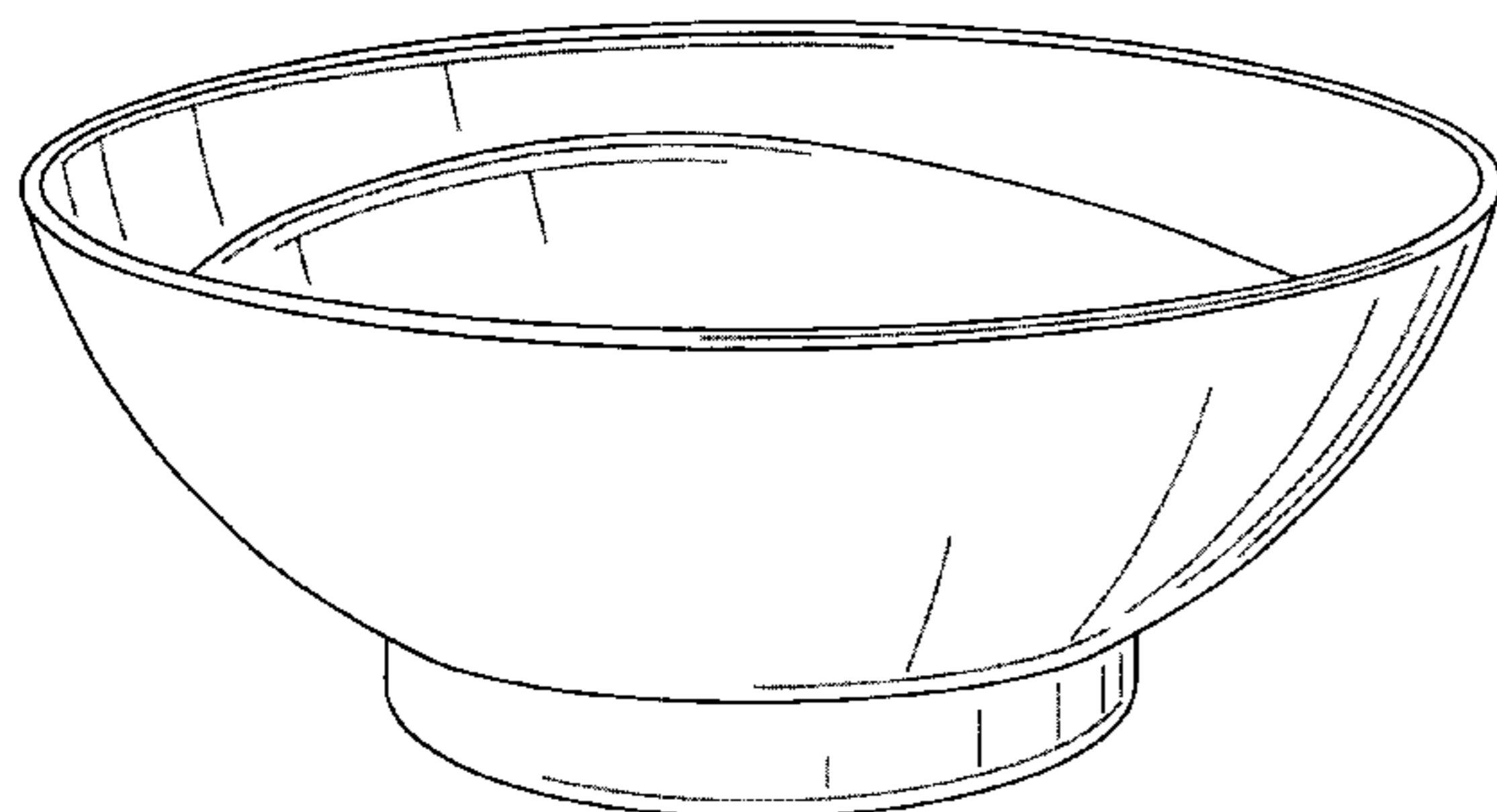
(57) **CLAIM**

The ornamental design for a serving bowl, as shown and described.

DESCRIPTION

FIG. 1 is a top, side and front perspective view of a serving bowl showing the new design;
FIG. 2 is a front elevation view thereof, the rear elevation being identical thereto;
FIG. 3 is a right side elevation view thereof, the left side elevation being identical thereto;
FIG. 4 is a top plan view thereof;
FIG. 5 is a bottom plan view thereof;
FIG. 6 is a top, side and front perspective view of a second embodiment showing the new design;
FIG. 7 is a front elevation view thereof, the rear elevation being identical thereto;
FIG. 8 is a rear side elevation view thereof, the left side elevation being identical thereto;
FIG. 9 is a top plan view thereof; and,
FIG. 10 is a bottom plan view thereof.

1 Claim, 4 Drawing Sheets



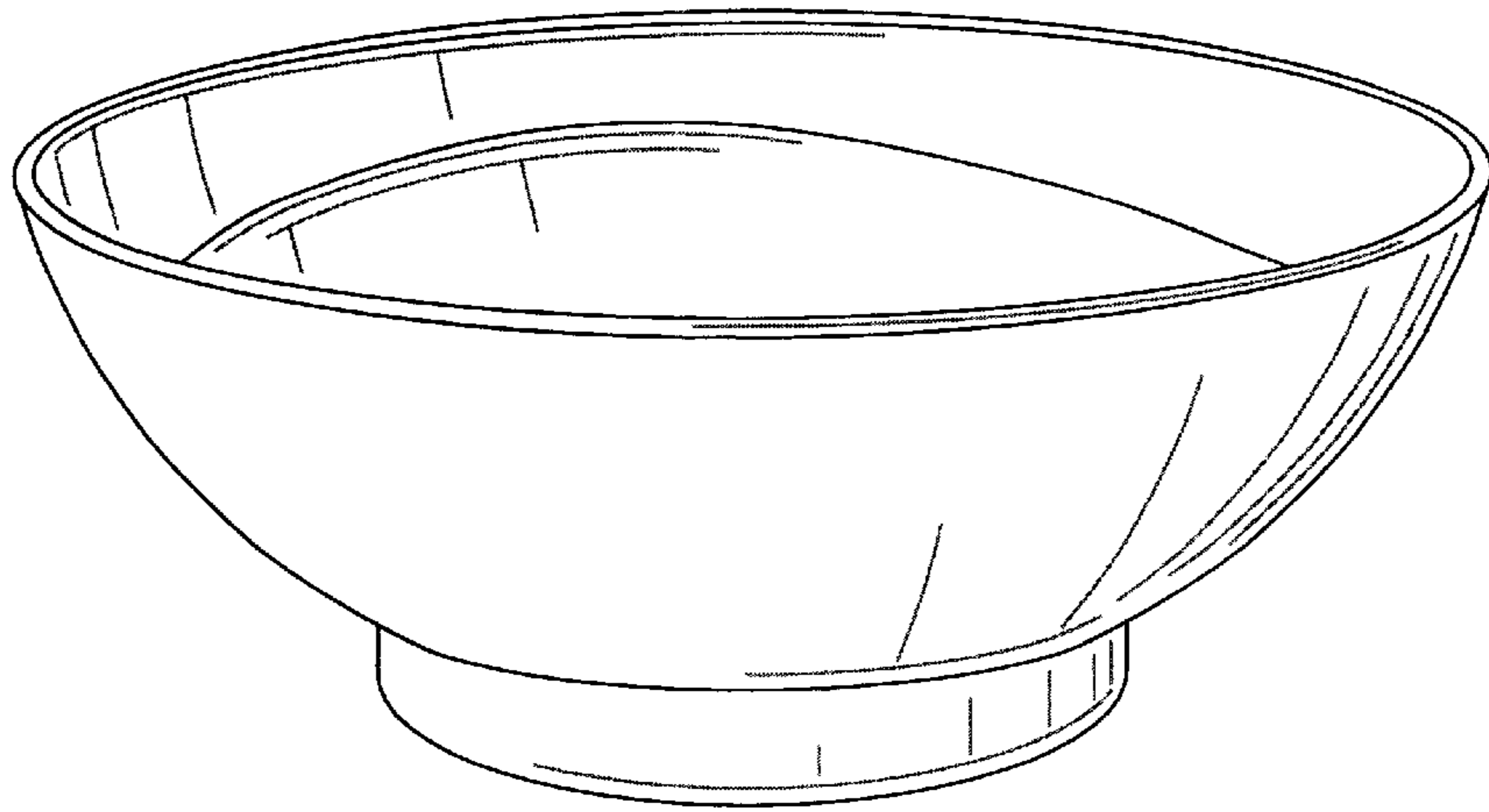


FIG. 1

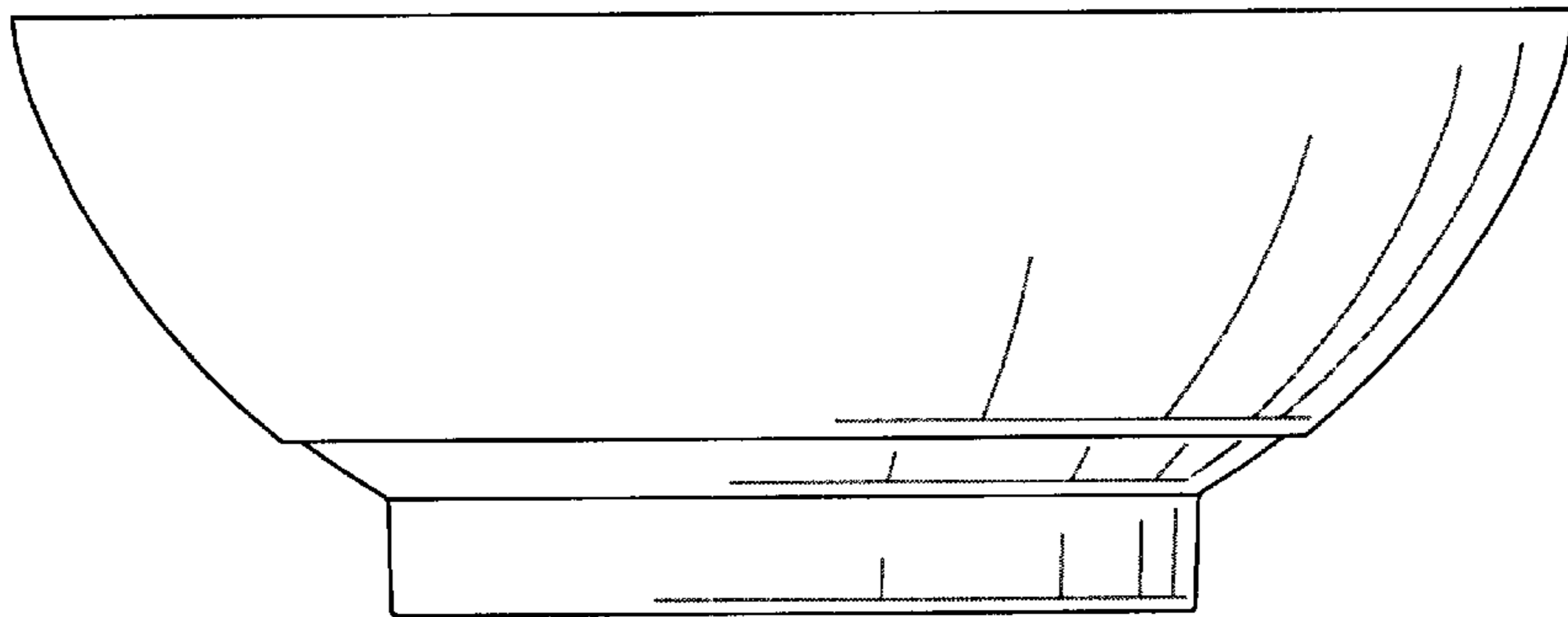


FIG. 2

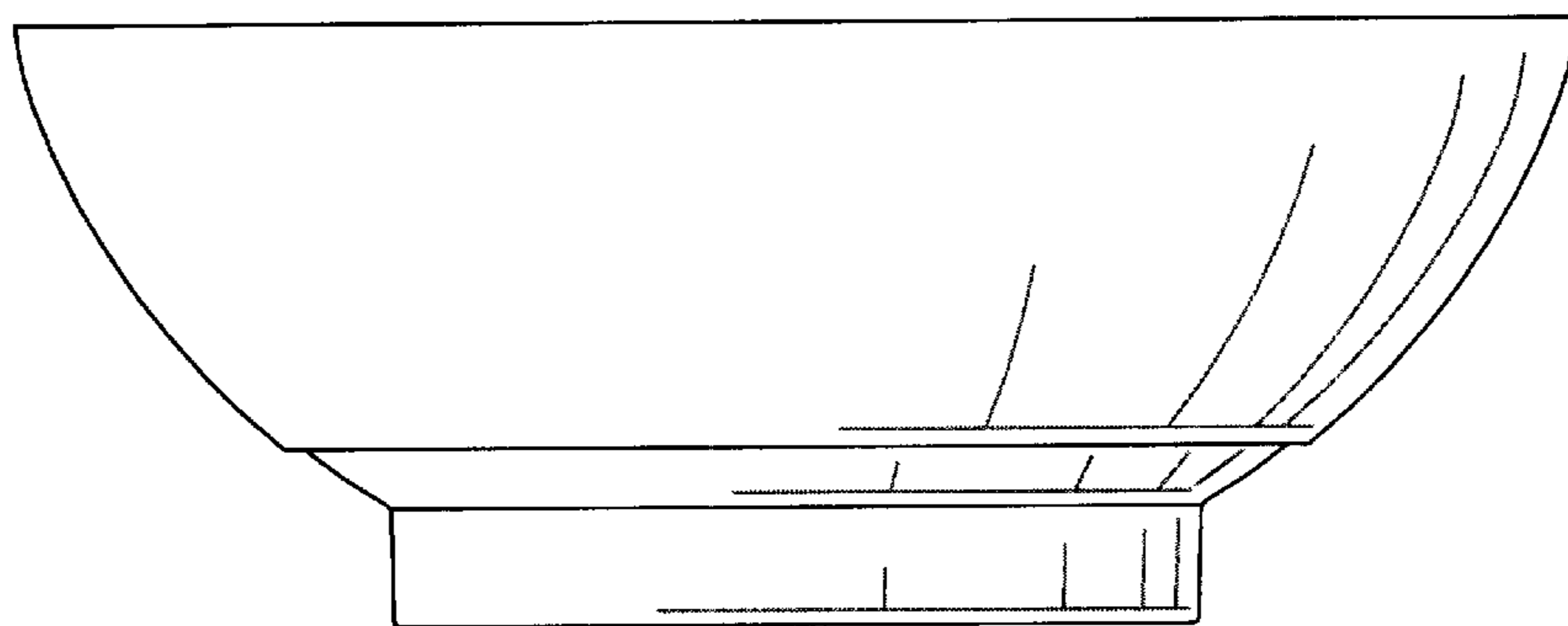


FIG. 3

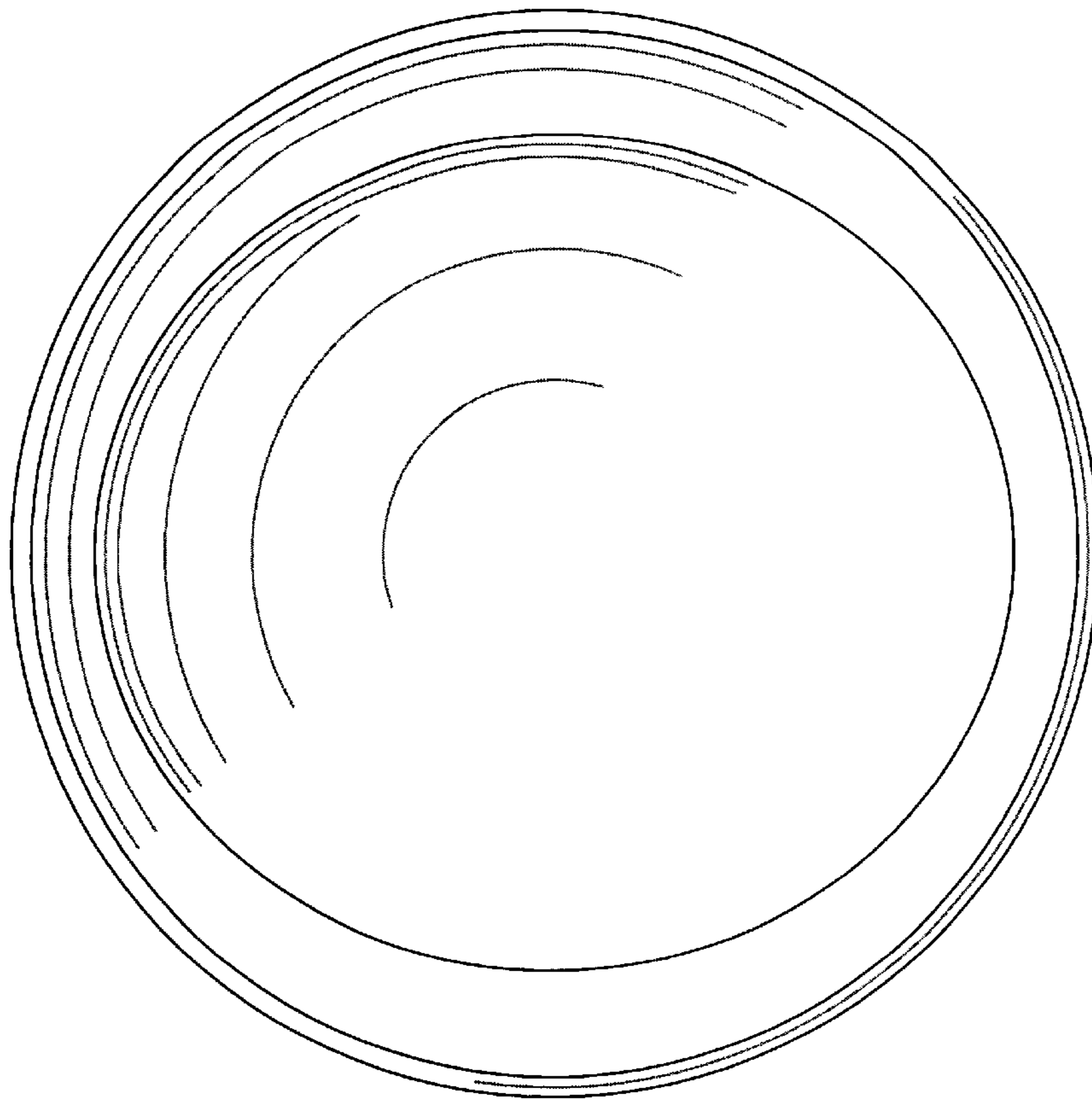


FIG. 4

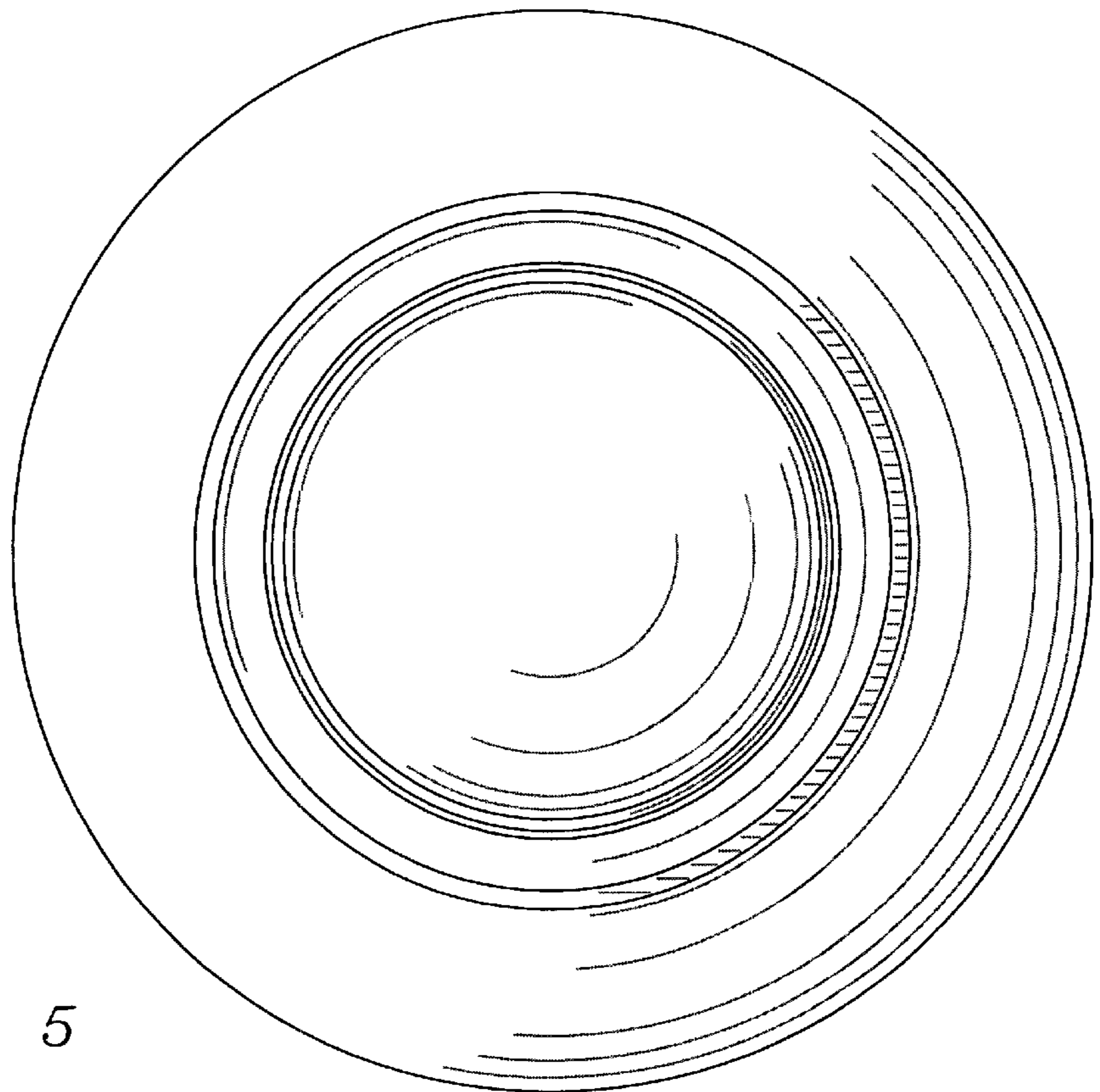


FIG. 5

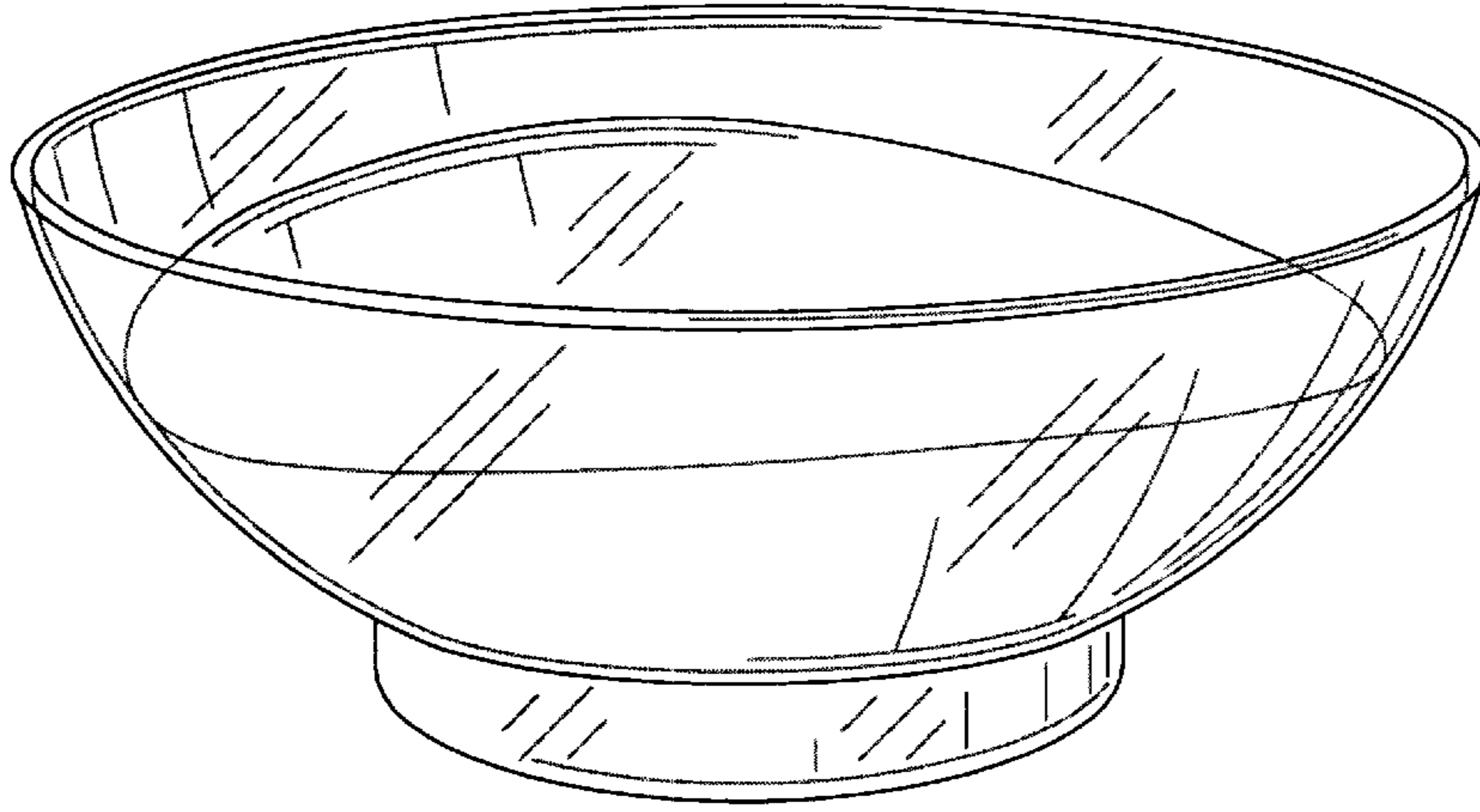


FIG. 6

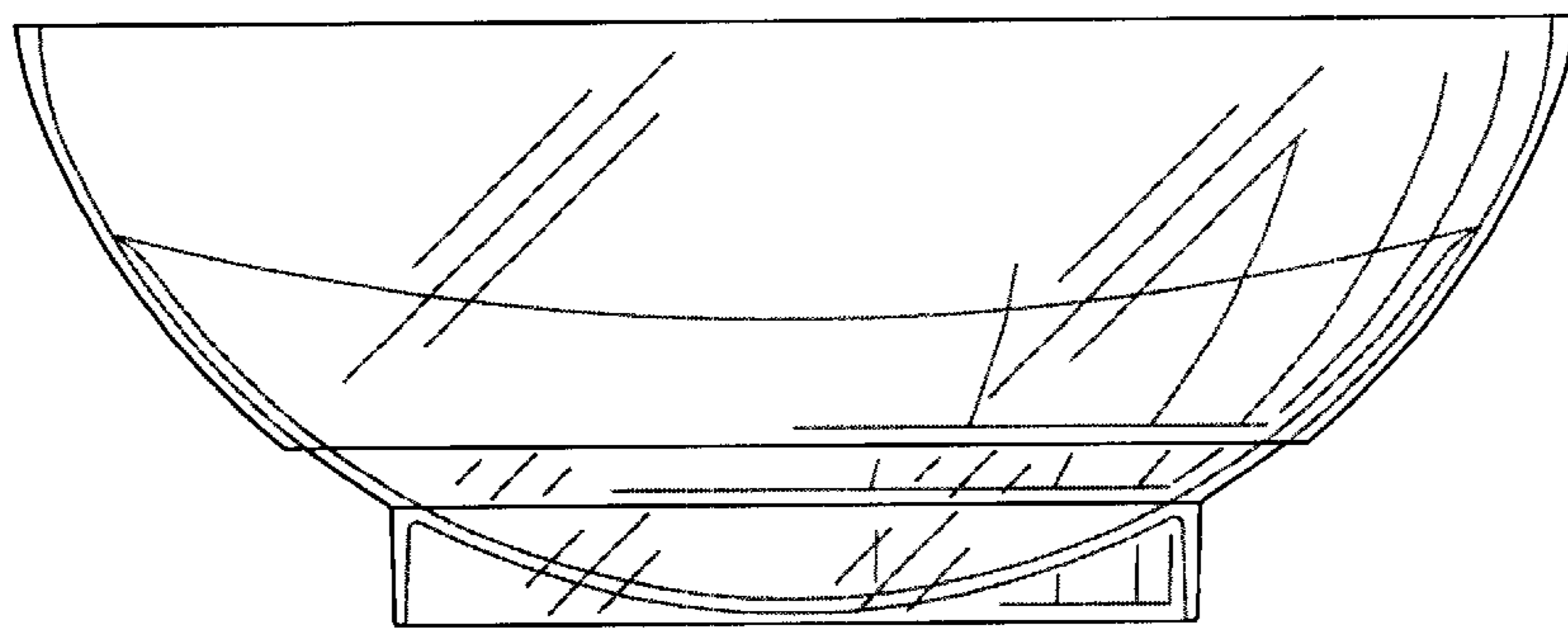


FIG. 7

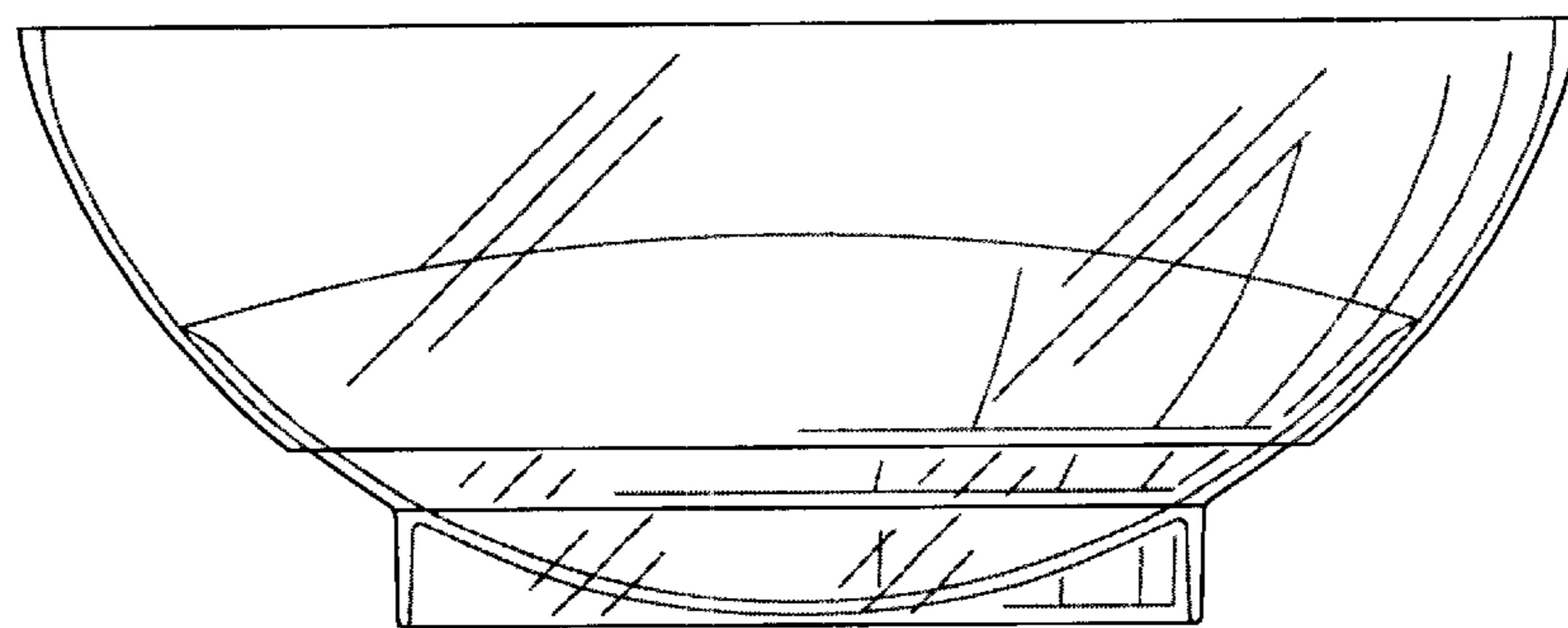


FIG. 8

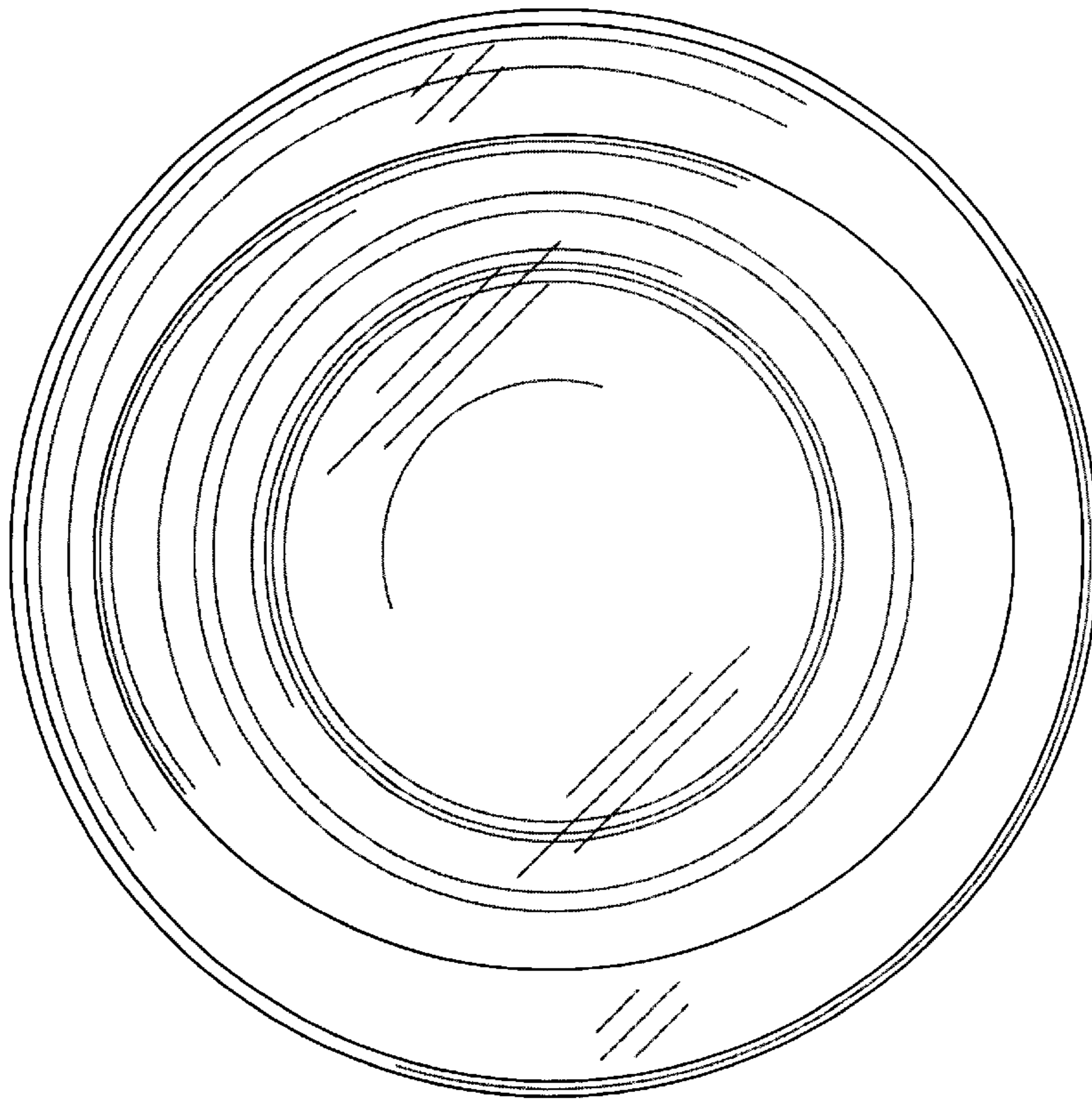


FIG. 9

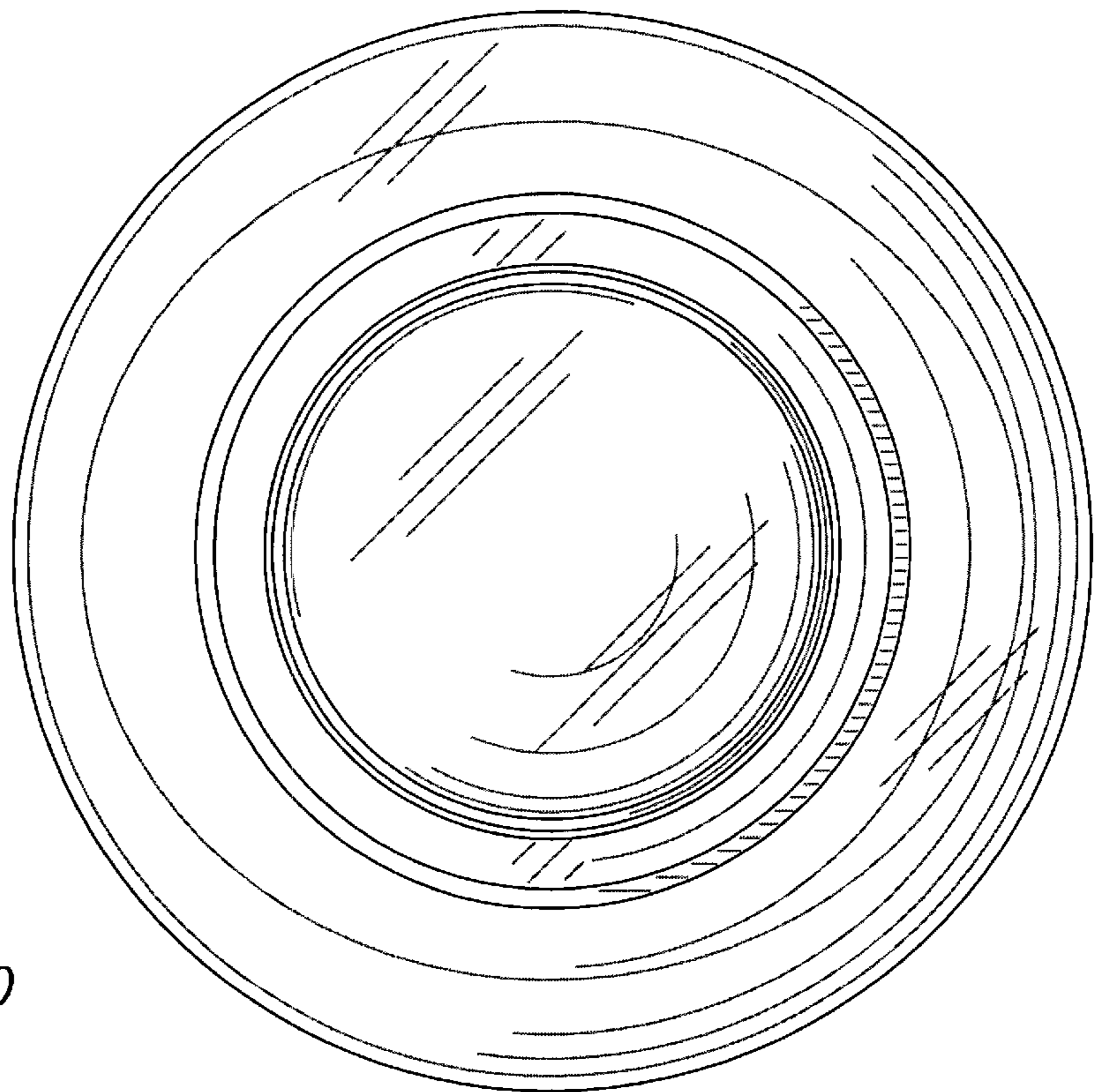


FIG. 10