



US00D476847S

(12) **United States Design Patent**
Kingsley et al.

(10) **Patent No.: US D476,847 S**

(45) **Date of Patent: ** *Jul. 8, 2003**

(54) **COOKING POT LID HOLDER**

(76) Inventors: **Bruce Kingsley**, 4640 Kingsley Rd.,
Lafayette, NY (US) 13084; **Brian A.
Bromka**, 250 Harrison St., Syracuse,
NY (US) 13202

(*) Notice: This patent is subject to a terminal dis-
claimer.

(**) Term: **14 Years**

(21) Appl. No.: **29/150,693**

(22) Filed: **Nov. 27, 2001**

(51) **LOC (7) Cl. 07-99**

(52) **U.S. Cl. D7/388; D7/396.1**

(58) **Field of Search** D7/704, 601, 387,
D7/388, 396.1, 397, 638, 610, 624; D19/75,
91, 90; 211/85.31, 163, 119, 71.01, 70,
181.1; 248/131, 425, 175, 163.2, 176.1;
D6/411, 465, 464, 462

(56) **References Cited**

U.S. PATENT DOCUMENTS

D91,717 S	*	3/1934	Maguire	D6/462
2,972,414 A	*	2/1961	Sipe	211/41.11
D275,245 S	*	8/1984	Pack	D6/462
D282,323 S	*	1/1986	Fetty	D7/601
4,893,771 A	*	1/1990	Kaneshiro	248/176.1
D311,651 S	*	10/1990	Fetty	D7/601

D320,332 S	*	10/1991	Fetty	D7/638
D348,079 S	*	6/1994	Bogen	D19/75
D367,000 S	*	2/1996	Martin	D8/370
D389,703 S	*	1/1998	Marts	D7/601
D393,783 S	*	4/1998	Goodman	D7/704
D398,483 S	*	9/1998	Stocco	D7/601
D401,819 S	*	12/1998	Doret, Jr.	D7/704
D405,652 S	*	2/1999	Tsoi	D7/624
D419,385 S	*	1/2000	Send, Jr.	D7/601
D437,735 S	*	2/2001	Goodman et al.	D7/601
D441,222 S	*	5/2001	Higazy	D6/462

* cited by examiner

Primary Examiner—M. N. Pandozzi

(74) *Attorney, Agent, or Firm*—George R. McGuire

(57) **CLAIM**

The ornamental design for a cooking pot lid holder, as shown and described.

DESCRIPTION

FIG. 1 is a perspective view of my new design for a cooking pot lid holder, wherein the cooking pot lid is illustrated in phantom for environmental purposes only; FIG. 2 is a rear elevational view thereof; FIG. 3 is a side elevational view thereof, the other side being a mirror image; FIG. 4 is a front elevational view thereof; FIG. 5 is a top plan view thereof; and, FIG. 6 is a bottom plan view thereof.

1 Claim, 6 Drawing Sheets

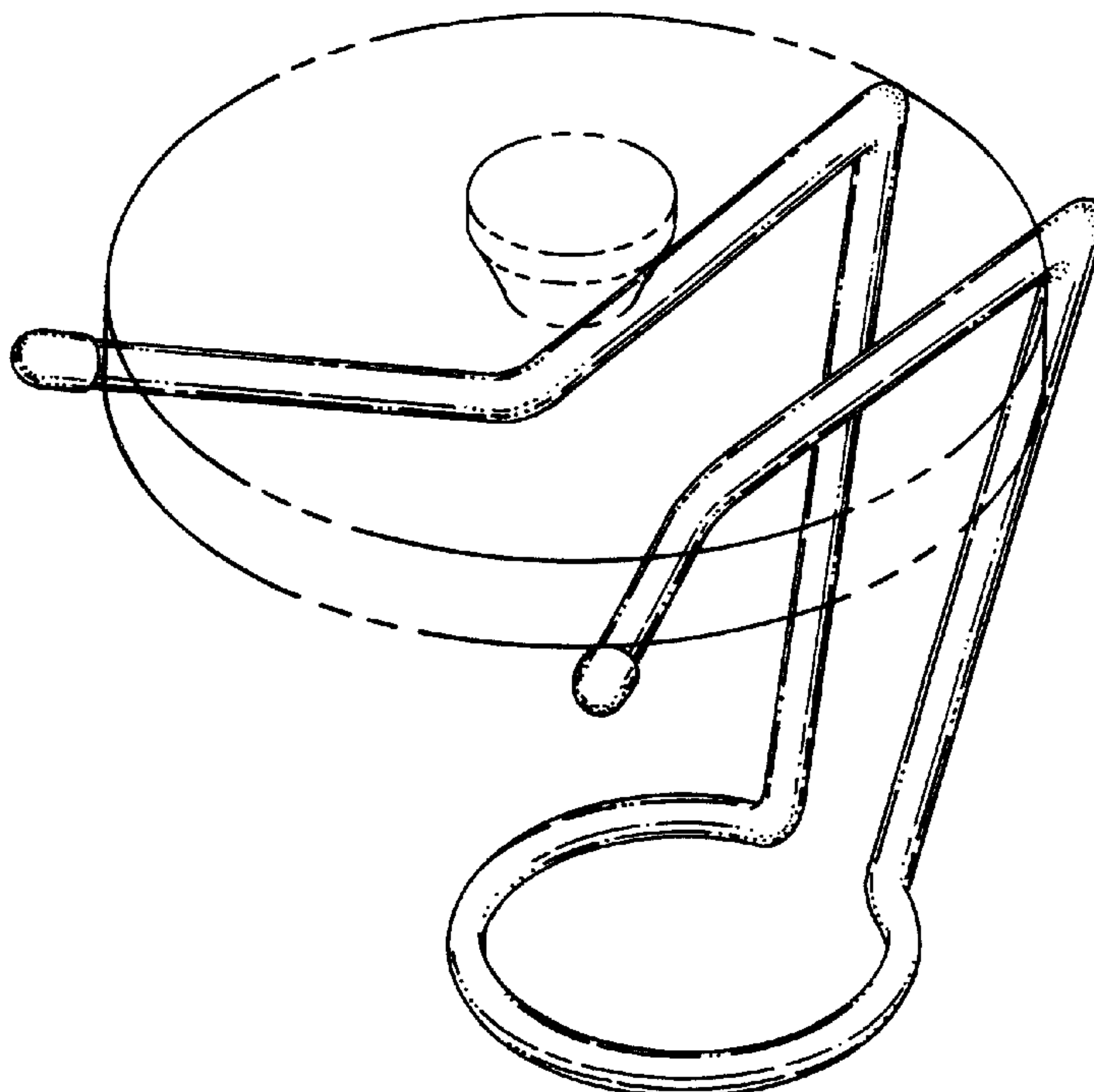
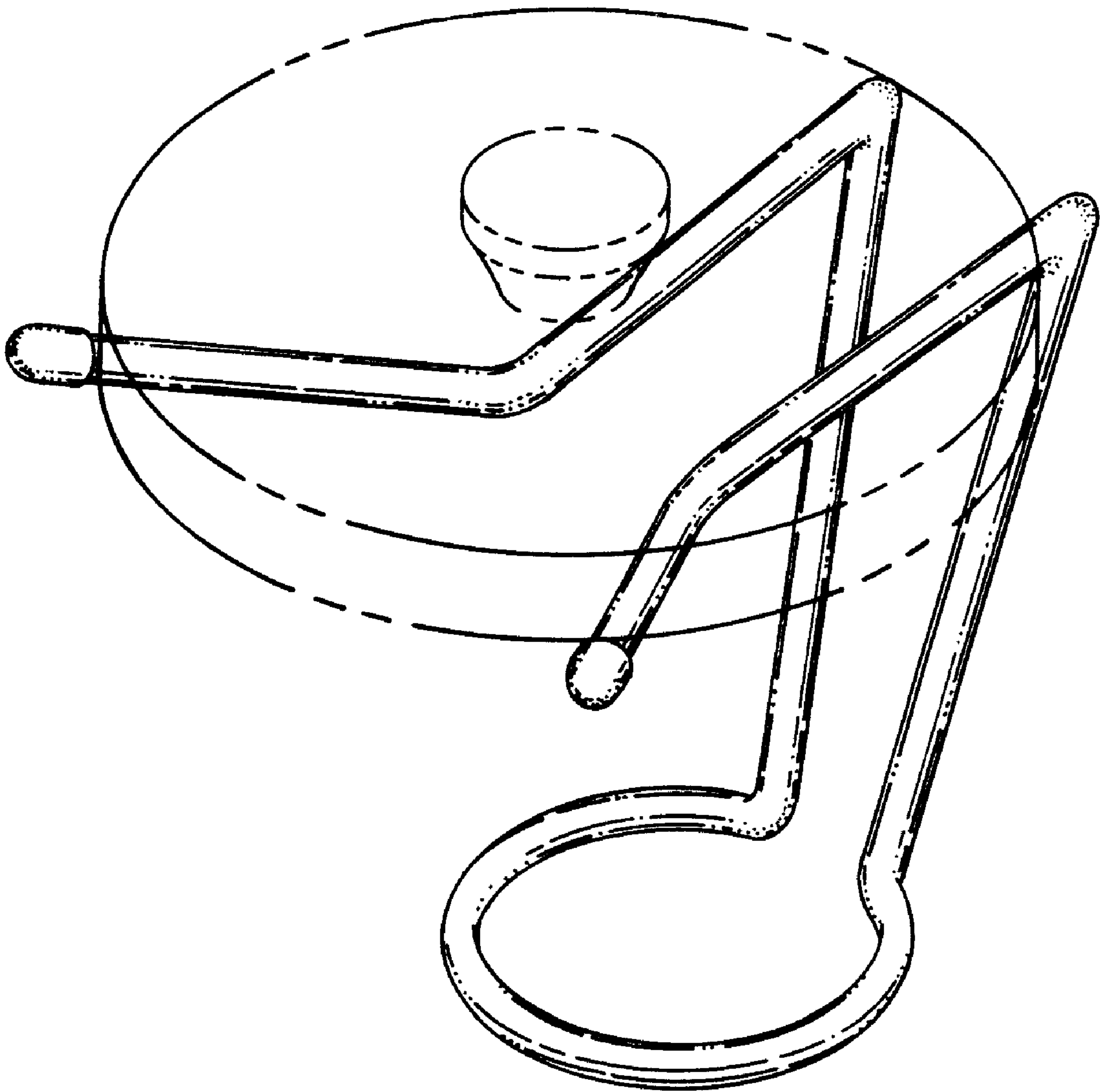


FIG. 1



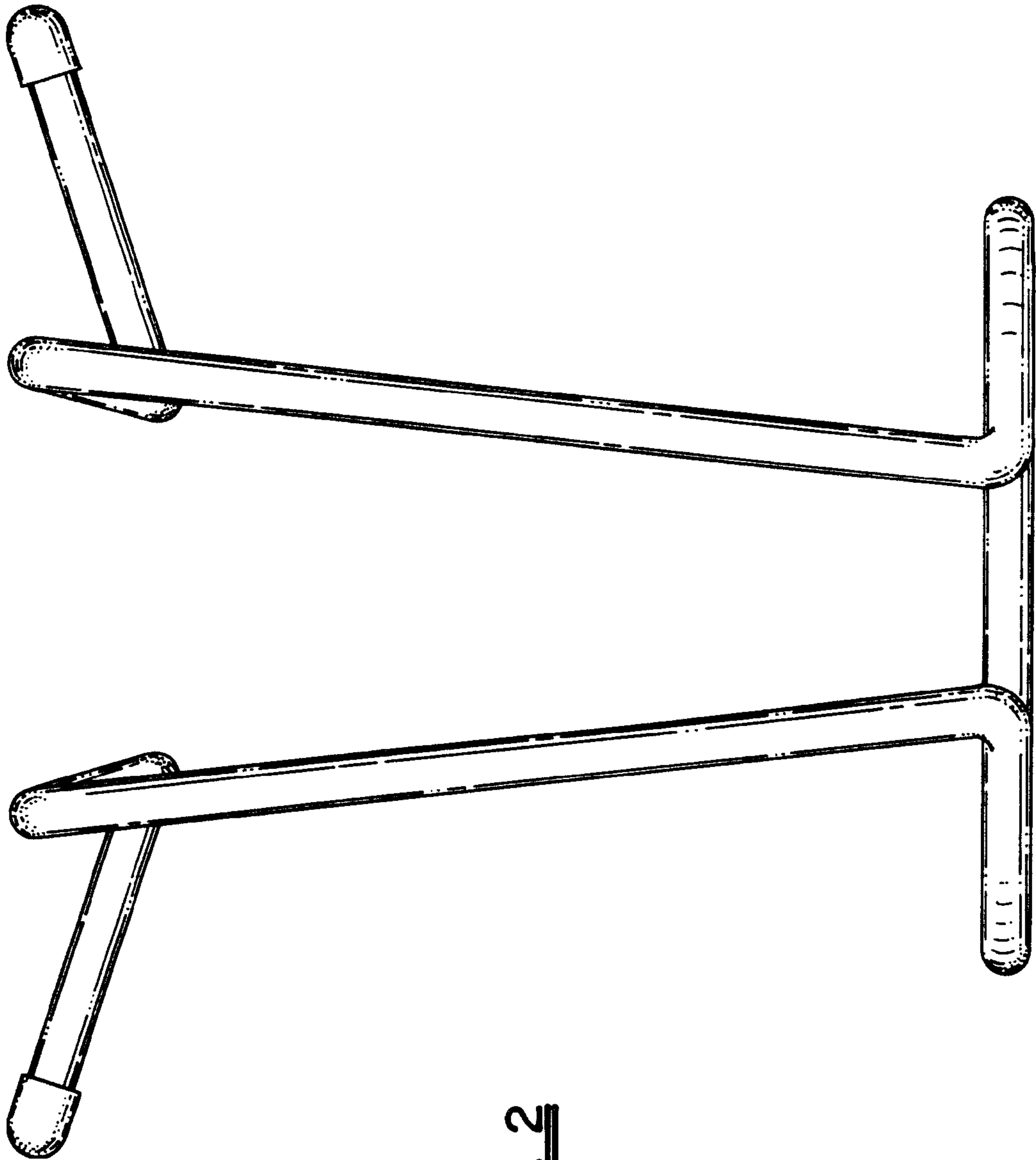
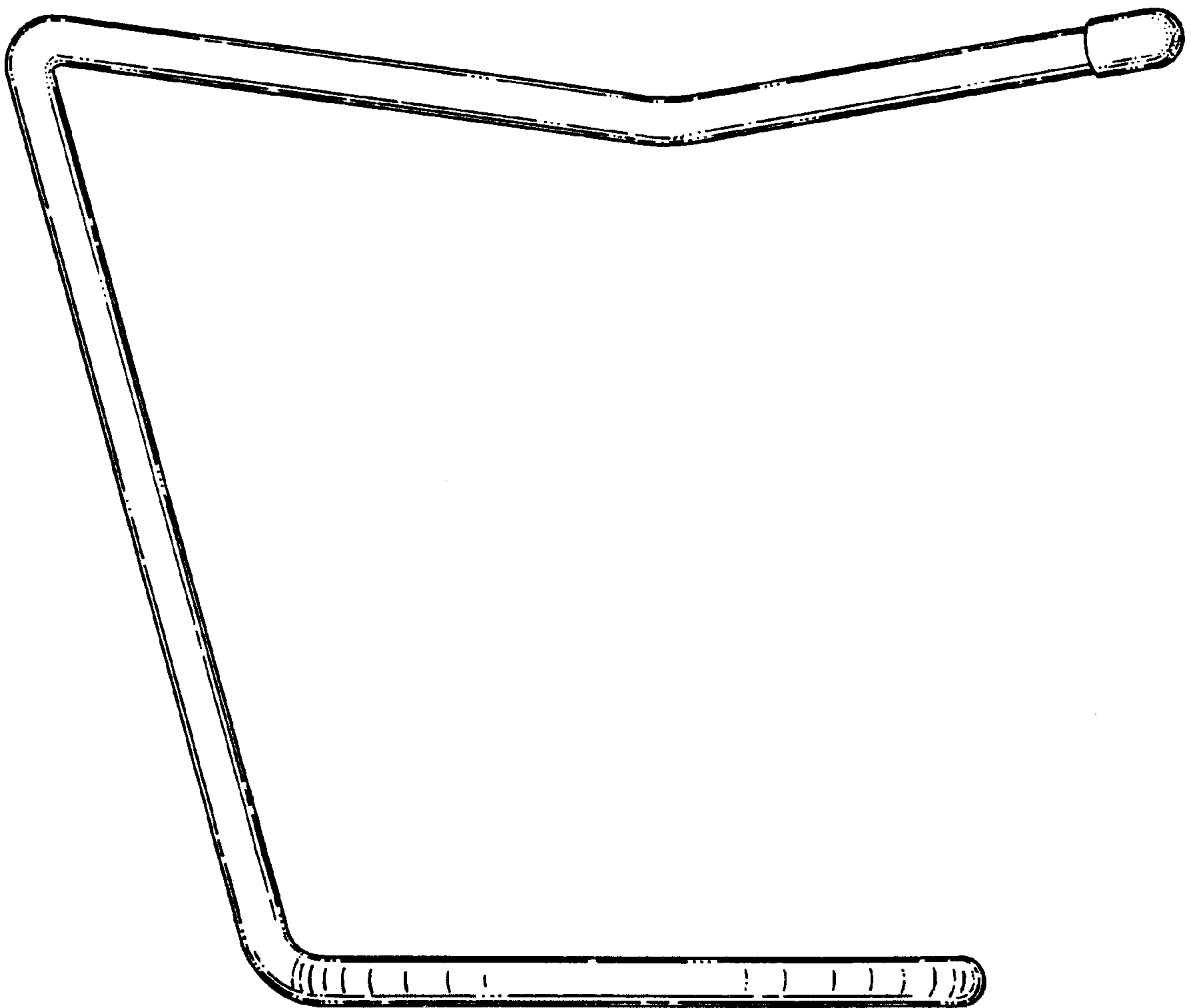


FIG. 2

FIG. 3



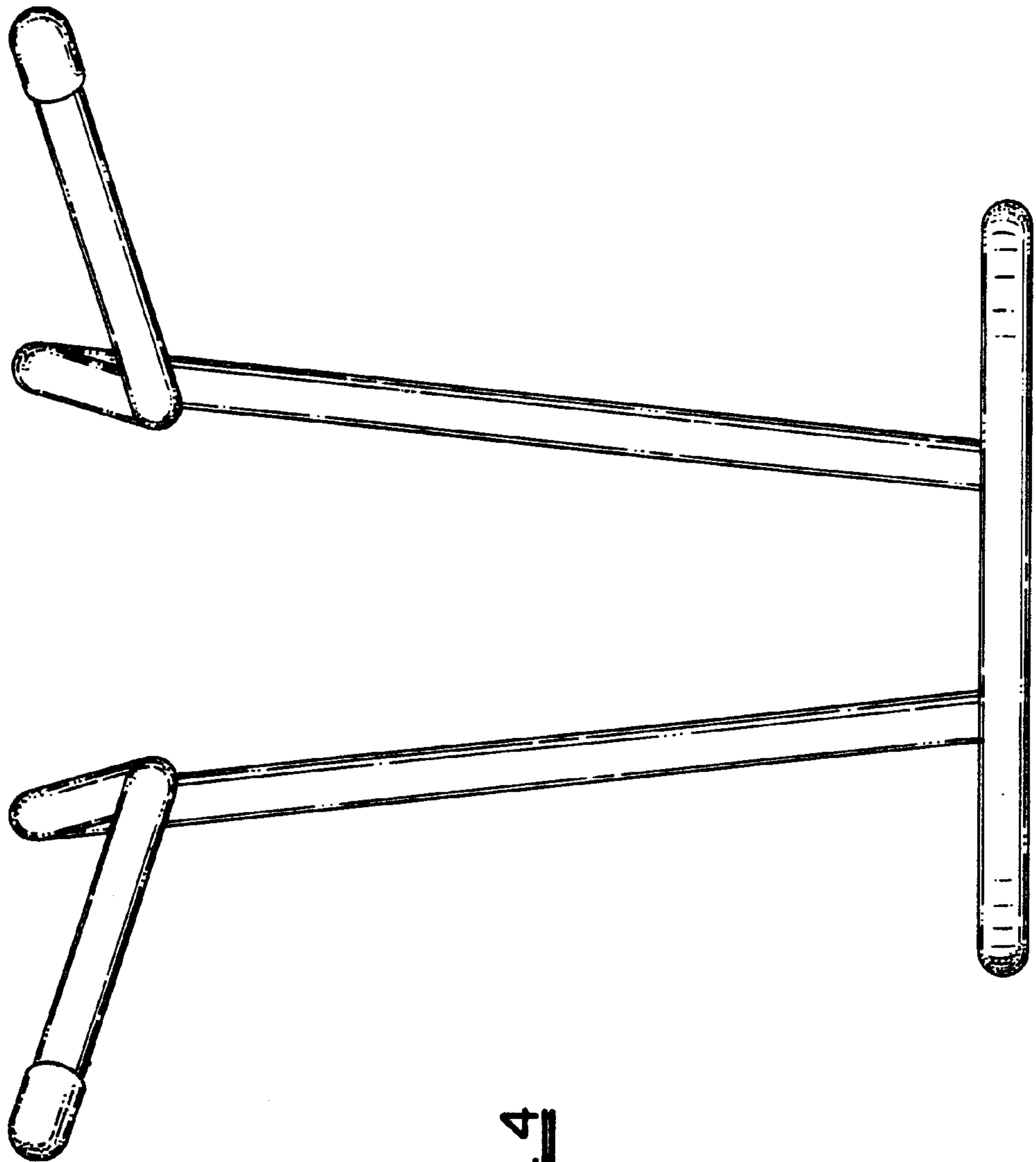


FIG. 4

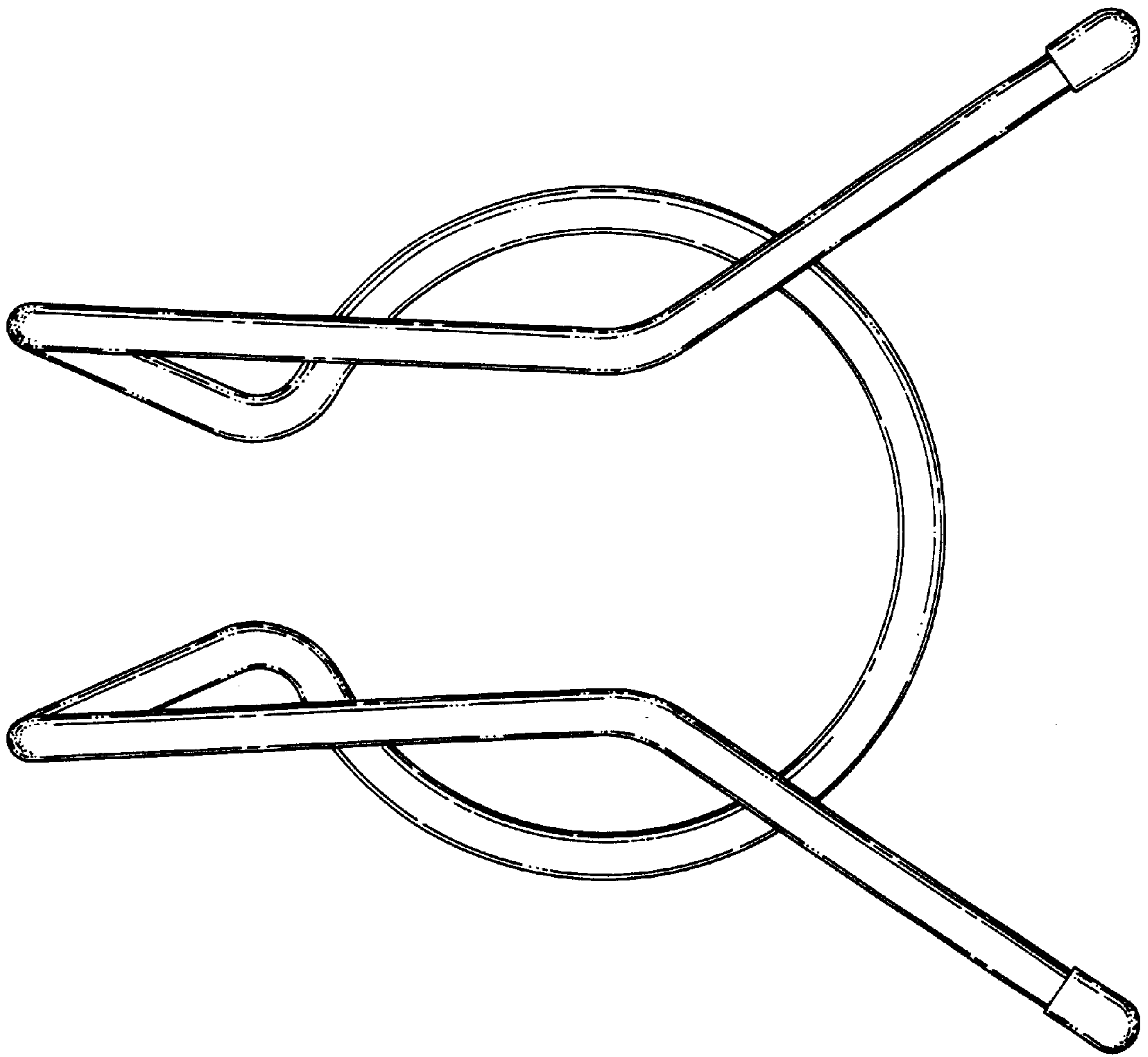


FIG. 5

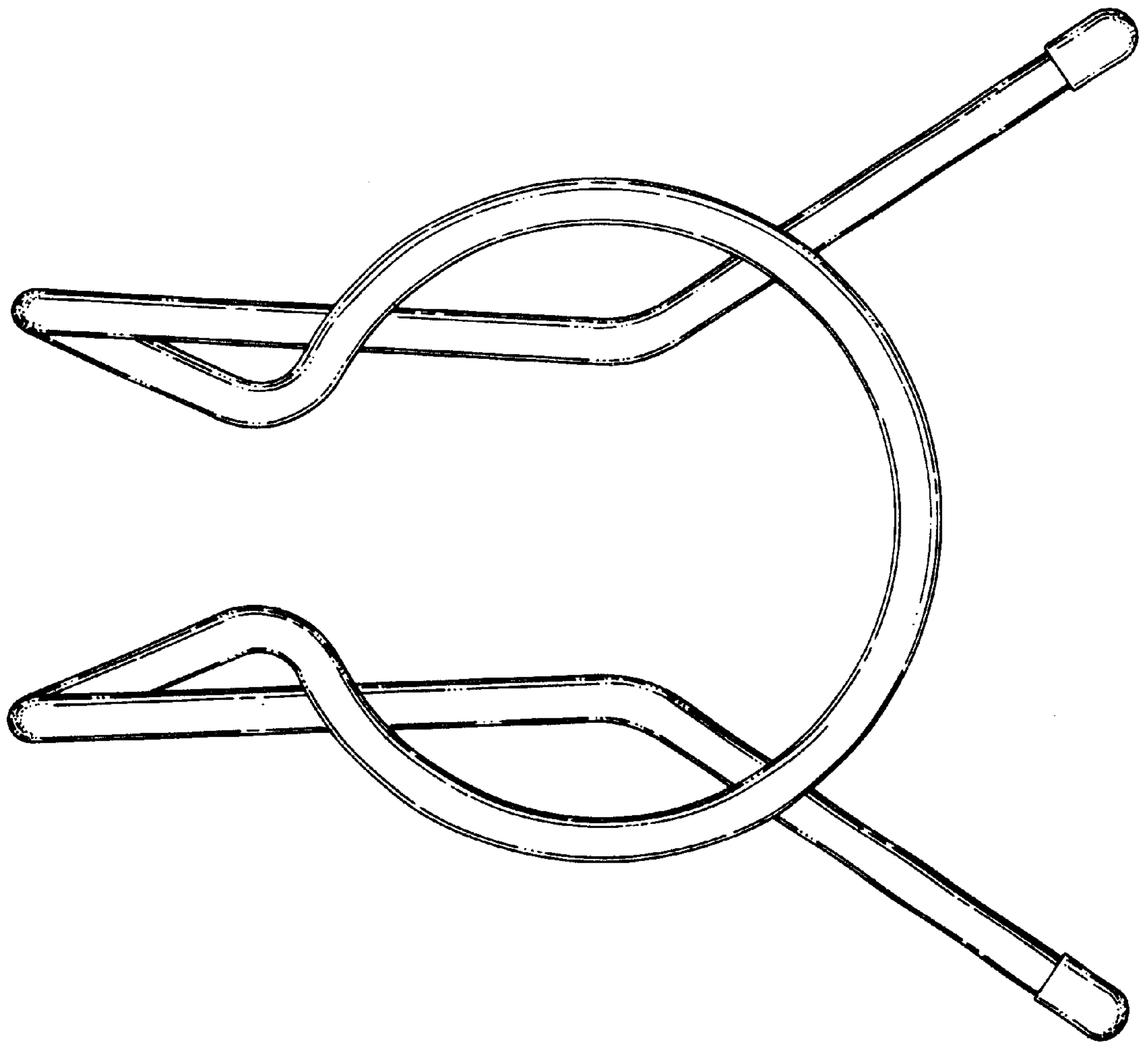


FIG. 6