



US00D476846S

(12) **United States Design Patent**
Piret

(10) **Patent No.:** **US D476,846 S**

(45) **Date of Patent:** **** Jul. 8, 2003**

(54) **HOUSEHOLD MICROWAVE OVEN**

(75) **Inventor:** **Philippe Piret, Benouville (FR)**

(73) **Assignee:** **Moulinex S.A., Cormelles-le-Royal (FR)**

(**) **Term:** **14 Years**

(21) **Appl. No.:** **29/132,452**

(22) **Filed:** **Nov. 13, 2000**

(30) **Foreign Application Priority Data**

May 12, 2000 (FR) 00 2975

(51) **LOC (7) Cl.** **07-02**

(52) **U.S. Cl.** **D7/351**

(58) **Field of Search** D7/350.1, 350.2, D7/350.3, 350.4, 351, 402, 405-406, 332, 337, 354, 361-362, 365-367; D3/276; 126/273 A, 275 R, 275 E, 19 M, 21 R; 219/678, 756-758; 99/DIG. 14, 421 R, 340-341, 350, 421 H, 448; 40/700, 768, 765; 294/142

(56) **References Cited**

U.S. PATENT DOCUMENTS

D309,078 S * 7/1990 Kokubo D7/351

D336,814 S * 6/1993 Brookshire D7/350
D380,643 S * 7/1997 Piret D7/350
D444,992 S * 7/2001 Brady et al. D7/350

* cited by examiner

Primary Examiner—Ruth McInroy

(74) *Attorney, Agent, or Firm*—Young & Thompson

(57) **CLAIM**

The ornamental design for a household microwave oven, as shown.

DESCRIPTION

FIG. 1 is a top, front and side perspective view of a household microwave oven showing my new design;

FIG. 2 is a front elevational view thereof;

FIG. 3 is a side elevational view thereof from the right of FIG. 2;

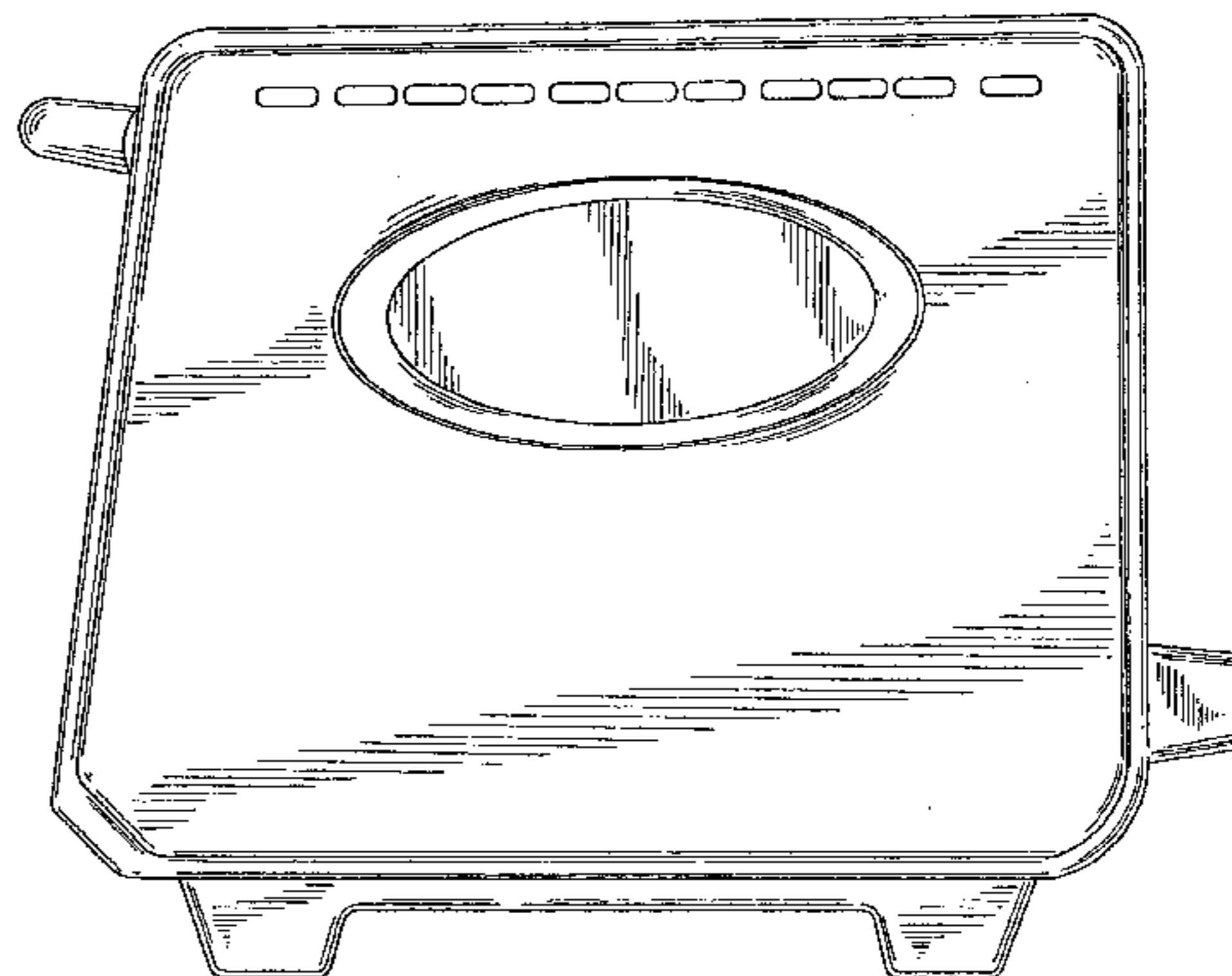
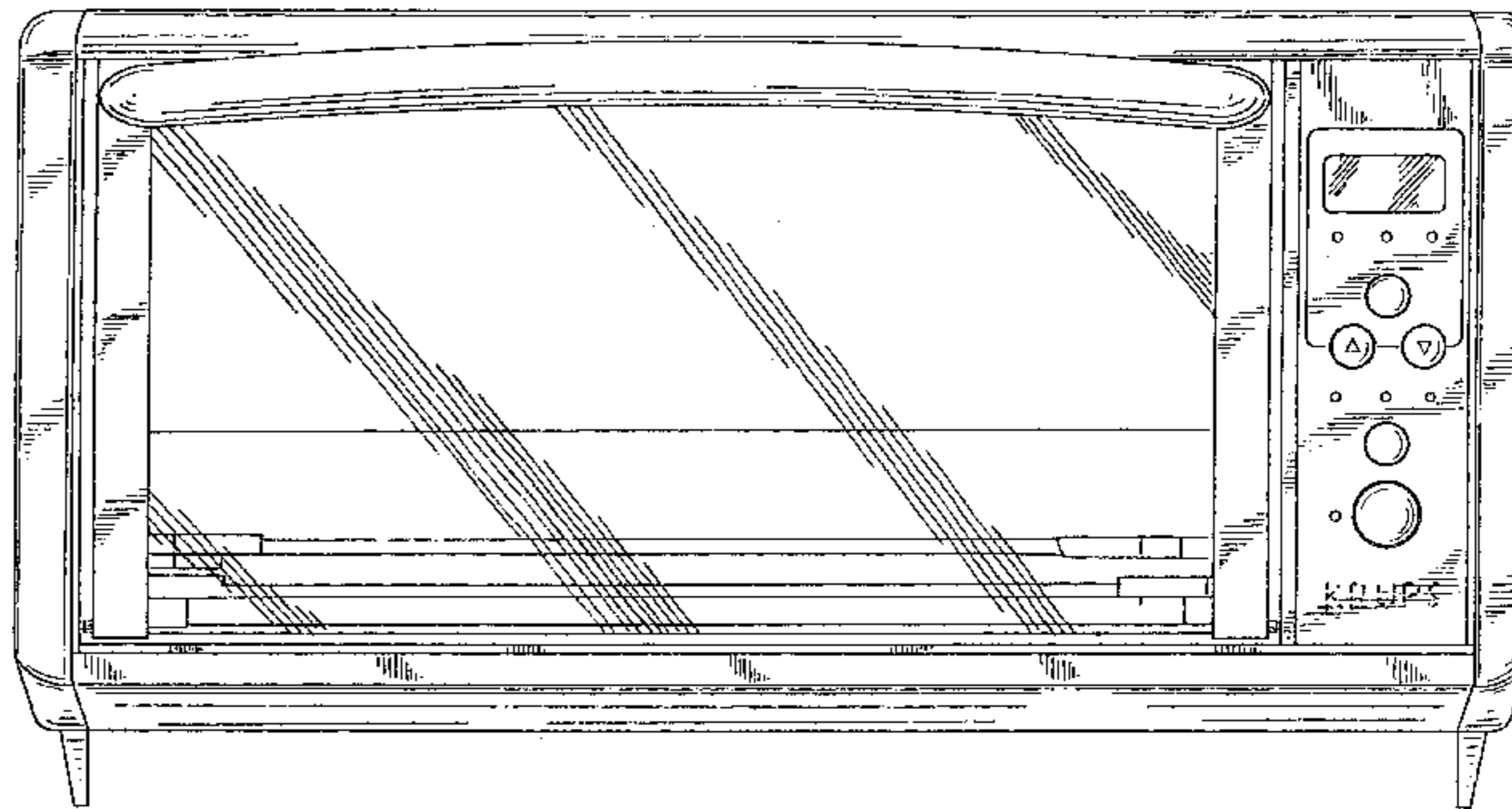
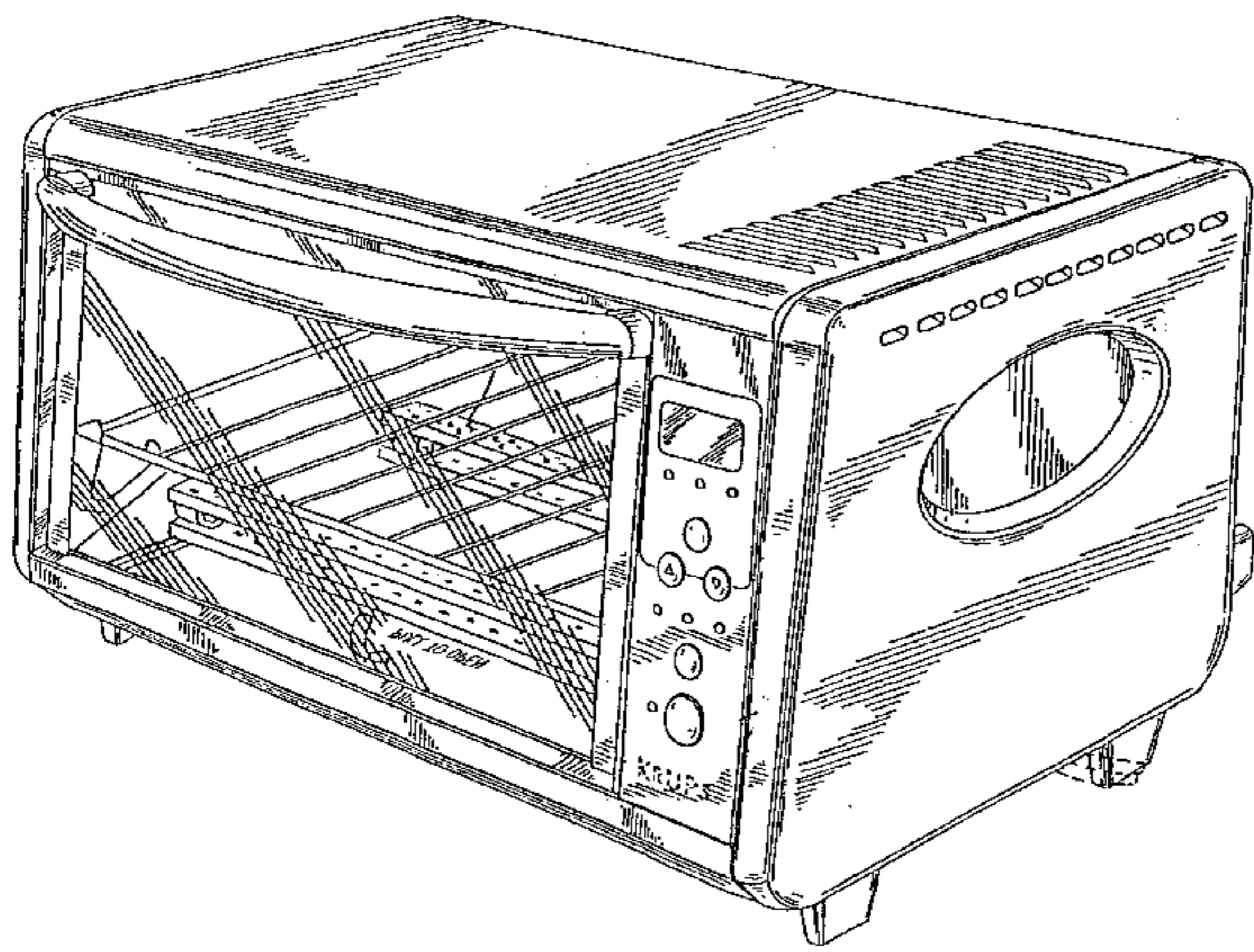
FIG. 4 is a side elevational view thereof from the right of FIG. 3;

FIG. 5 is a rear elevational view thereof;

FIG. 6 is a top plan view thereof; and,

FIG. 7 is a bottom plan view thereof.

1 Claim, 7 Drawing Sheets



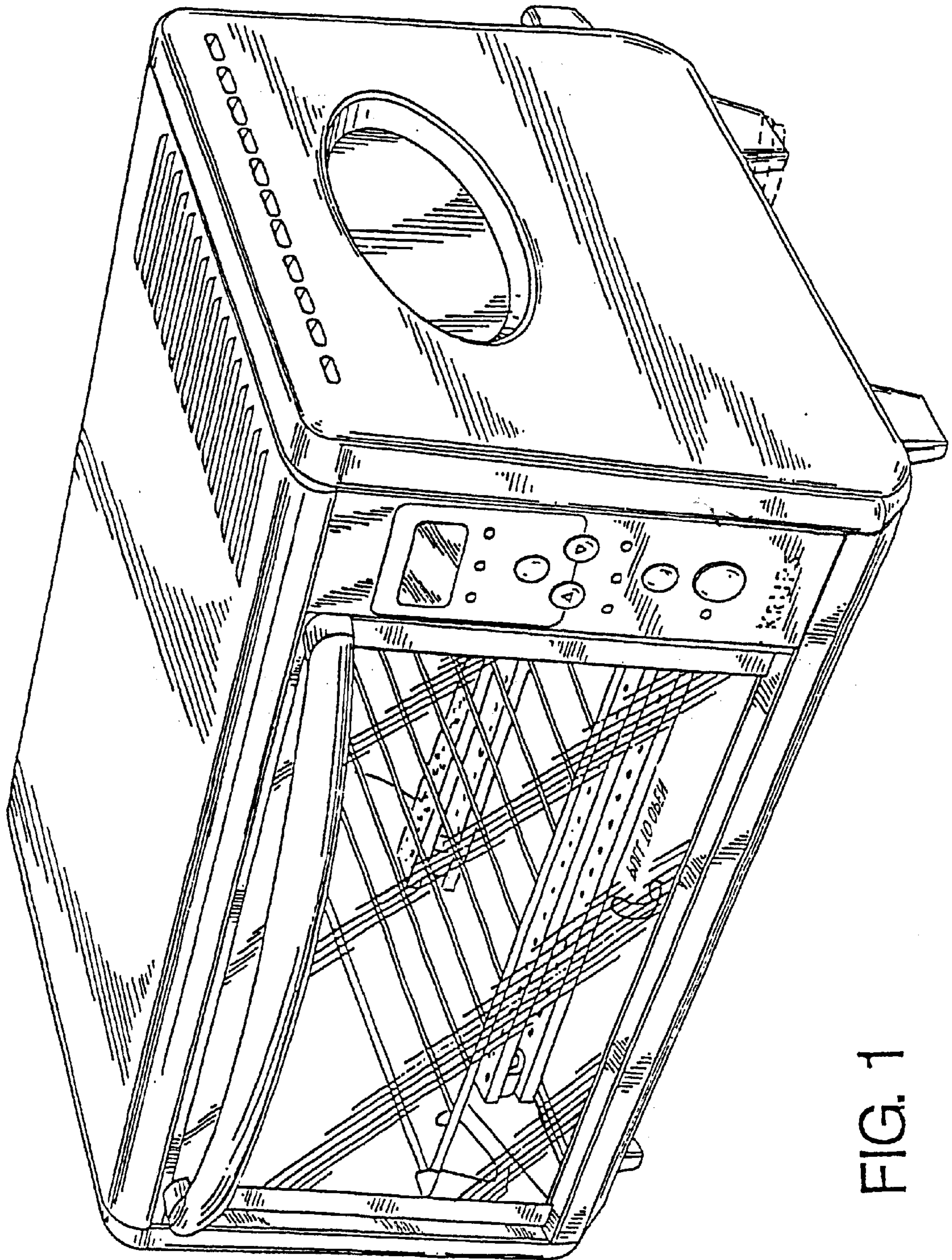


FIG. 1

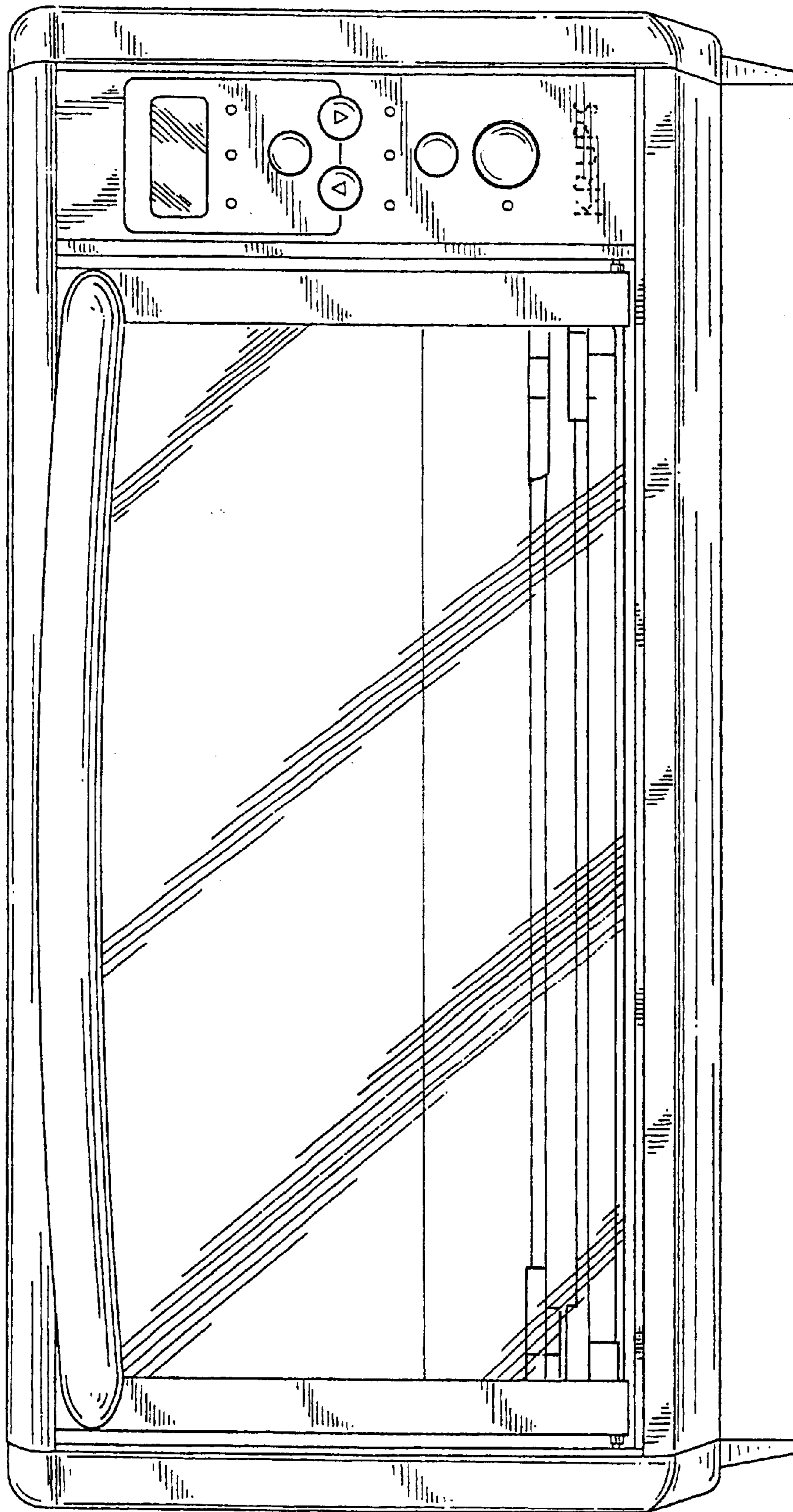


FIG. 2

FIG. 3

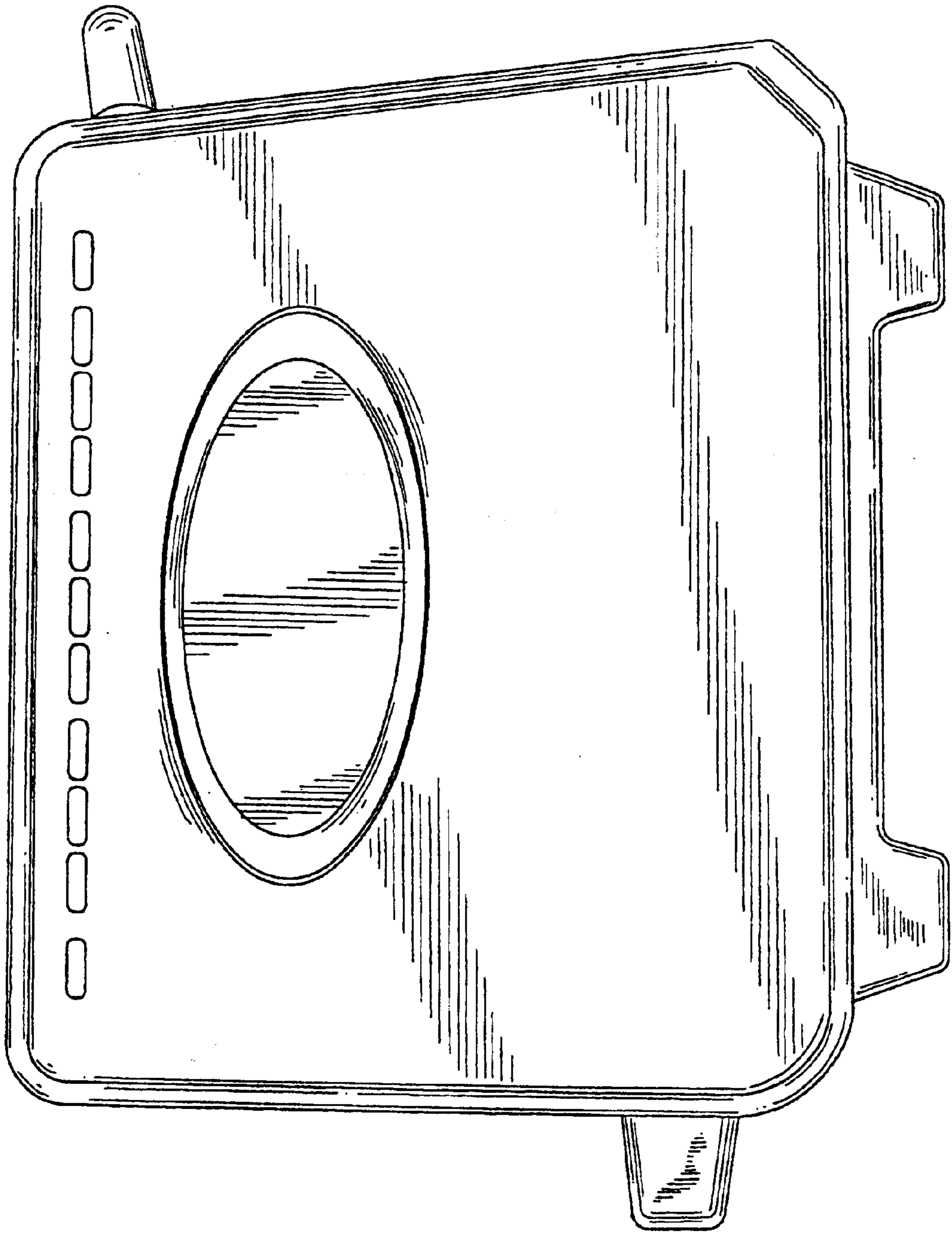
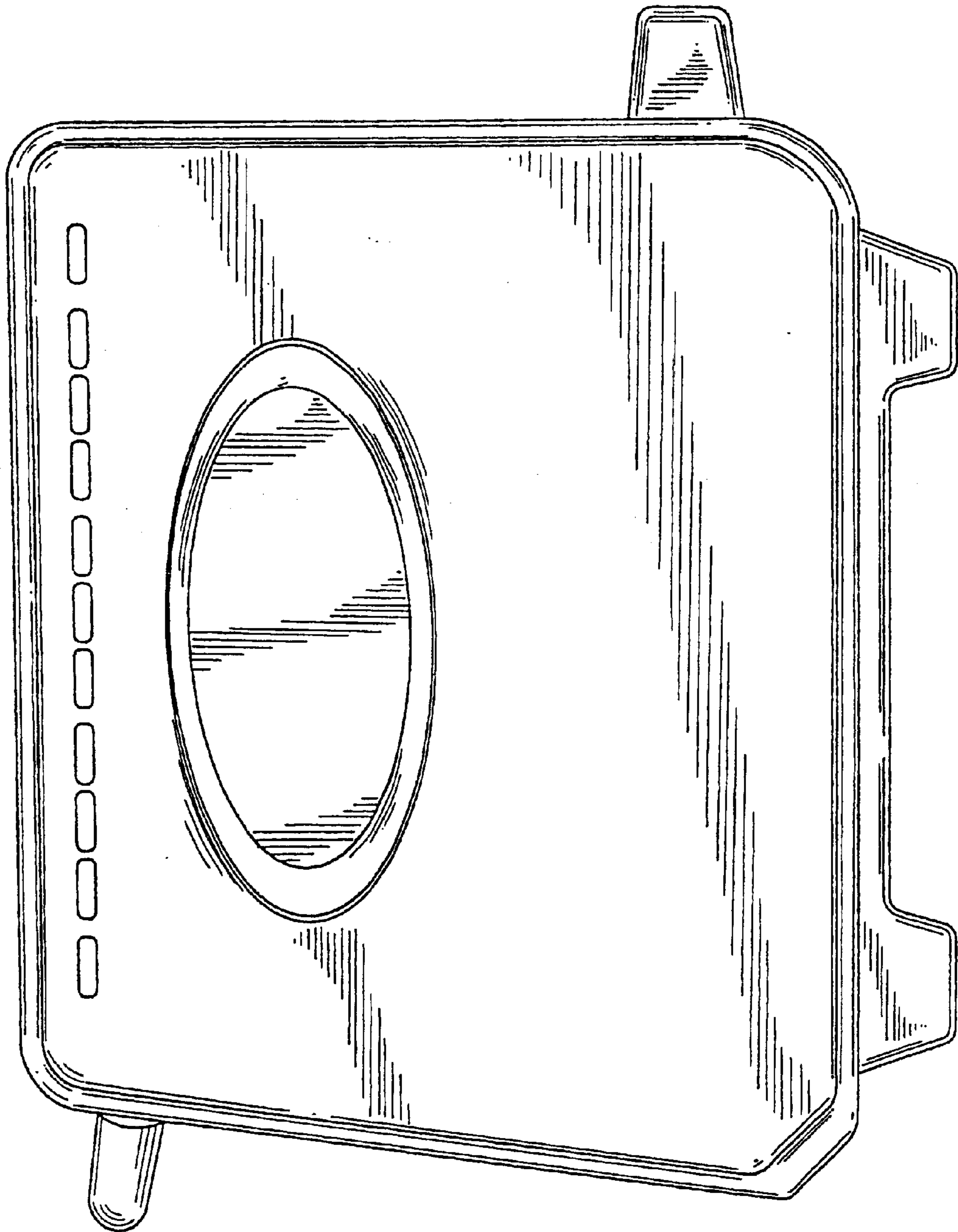


FIG. 4



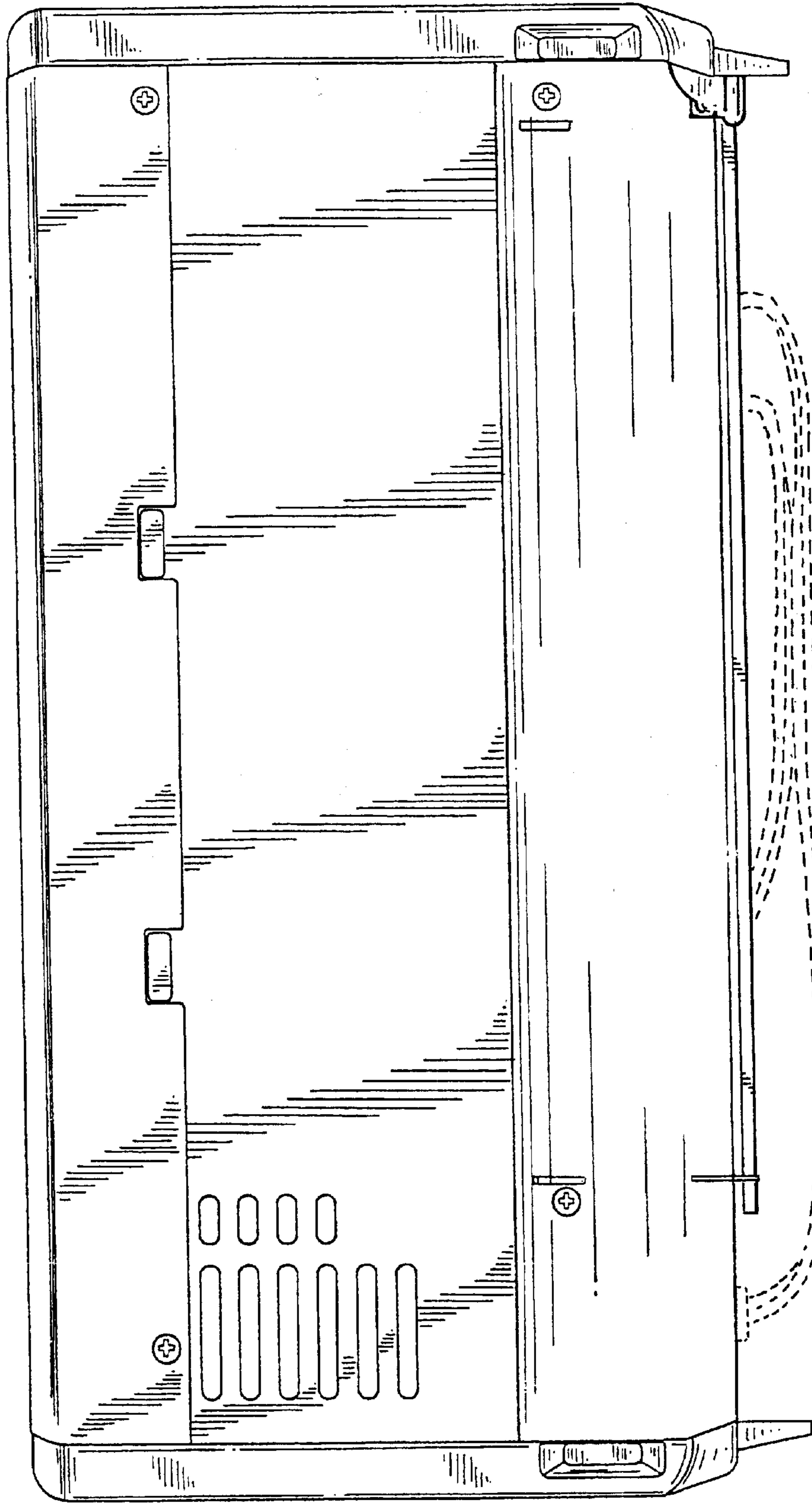


FIG. 5

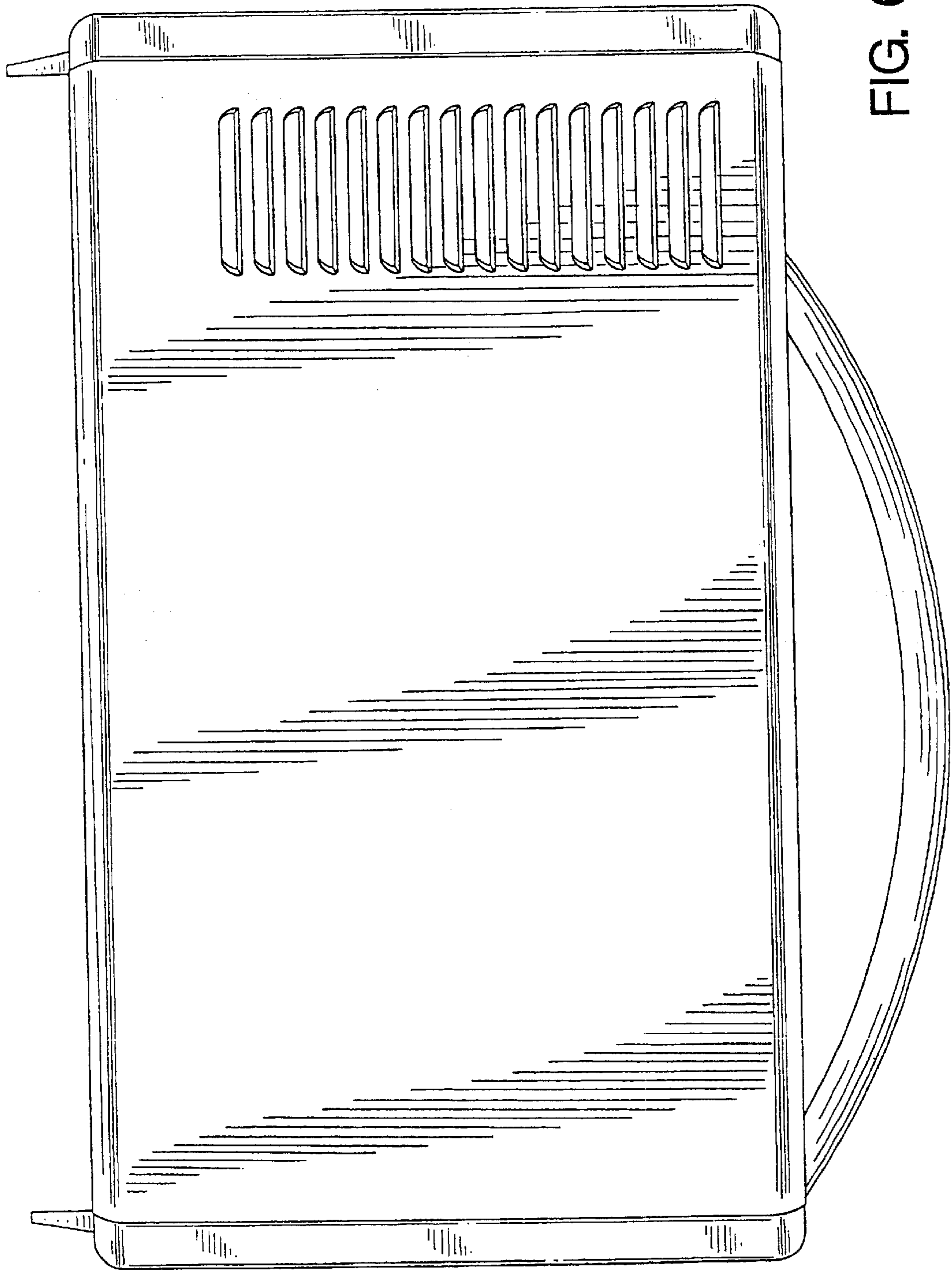


FIG. 6

FIG. 7

