



US00D476845S

(12) **United States Design Patent**
Hsu

(10) **Patent No.:** **US D476,845 S**

(45) **Date of Patent:** **** Jul. 8, 2003**

- (54) **OVEN**
- (75) Inventor: **Tony Hsu, Yung Kang (TW)**
- (73) Assignee: **Lundar Electric Industrial Co., Ltd.,
Tainan Hsien (TW)**
- (**) Term: **14 Years**
- (21) Appl. No.: **29/169,033**
- (22) Filed: **Oct. 15, 2002**
- (51) **LOC (7) Cl.** **07-02**
- (52) **U.S. Cl.** **D7/350.4**
- (58) **Field of Search** D7/350.1, 350.3,
D7/350.4, 351, 402, 405-406; 126/273 A,
275 R, 275 E, 19 M, 21 R; 219/678, 756-758;
99/DIG. 14, 341

- D422,172 S * 4/2000 Hsu D7/350
- D433,867 S * 11/2000 Hsu D7/350
- D446,418 S * 8/2001 Cruz D7/350.4
- D447,905 S * 9/2001 Smith-Berry et al. D7/350
- D466,757 S * 12/2002 Hsu D7/350.1

* cited by examiner

Primary Examiner—Ruth McInroy

(74) *Attorney, Agent, or Firm*—Rosenberg, Klein & Lee

(57) **CLAIM**

The ornamental design for an oven, as shown and described.

DESCRIPTION

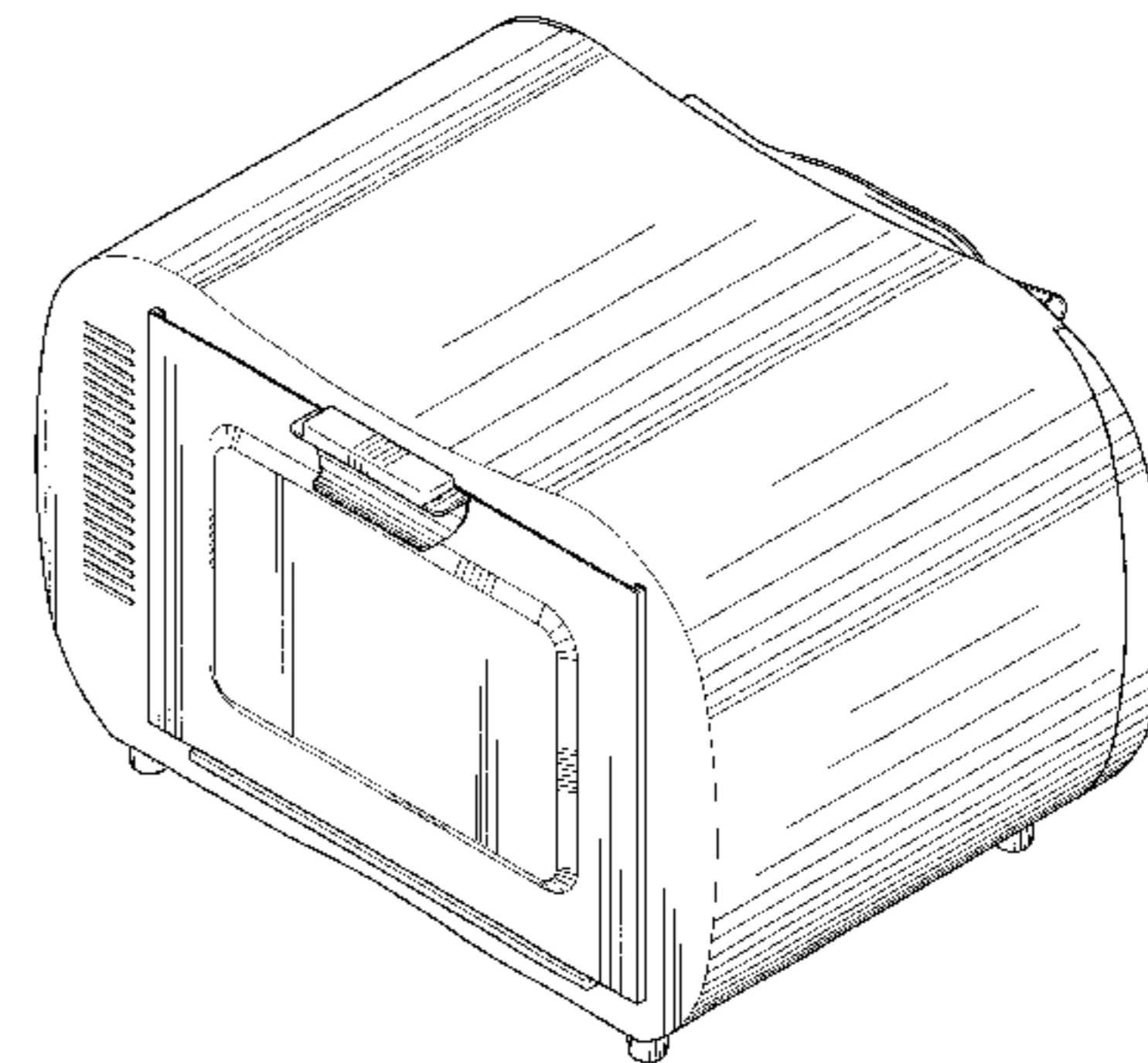
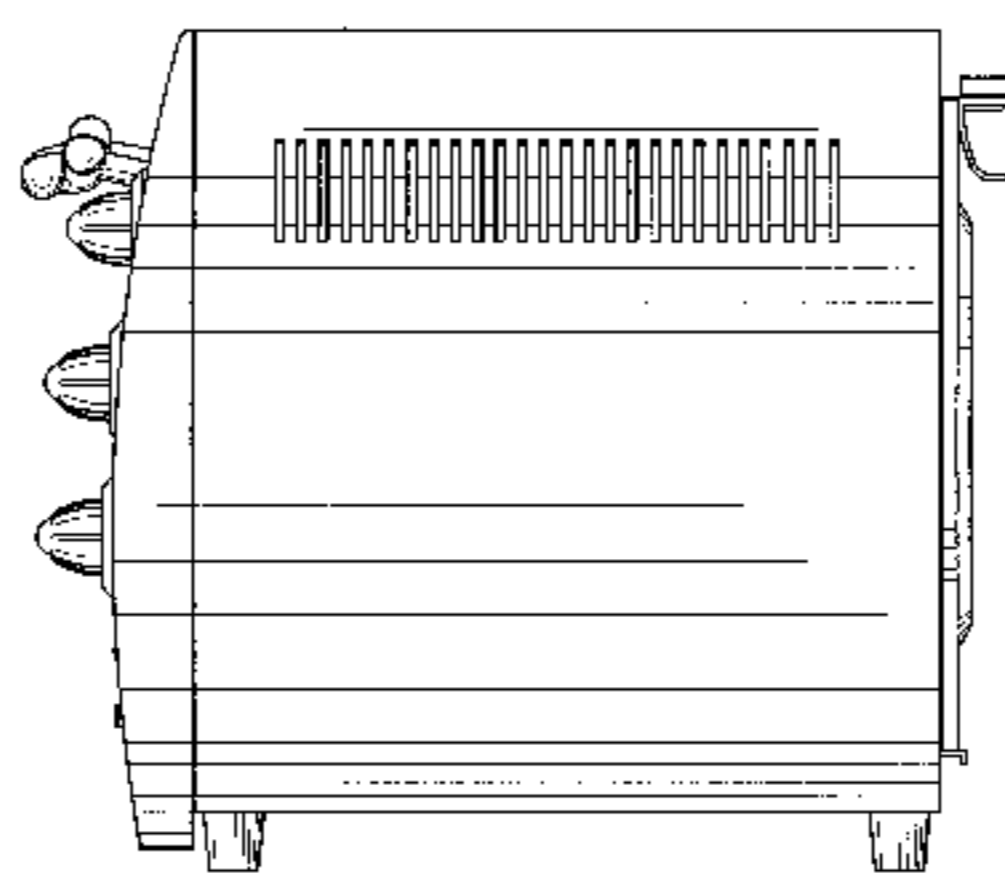
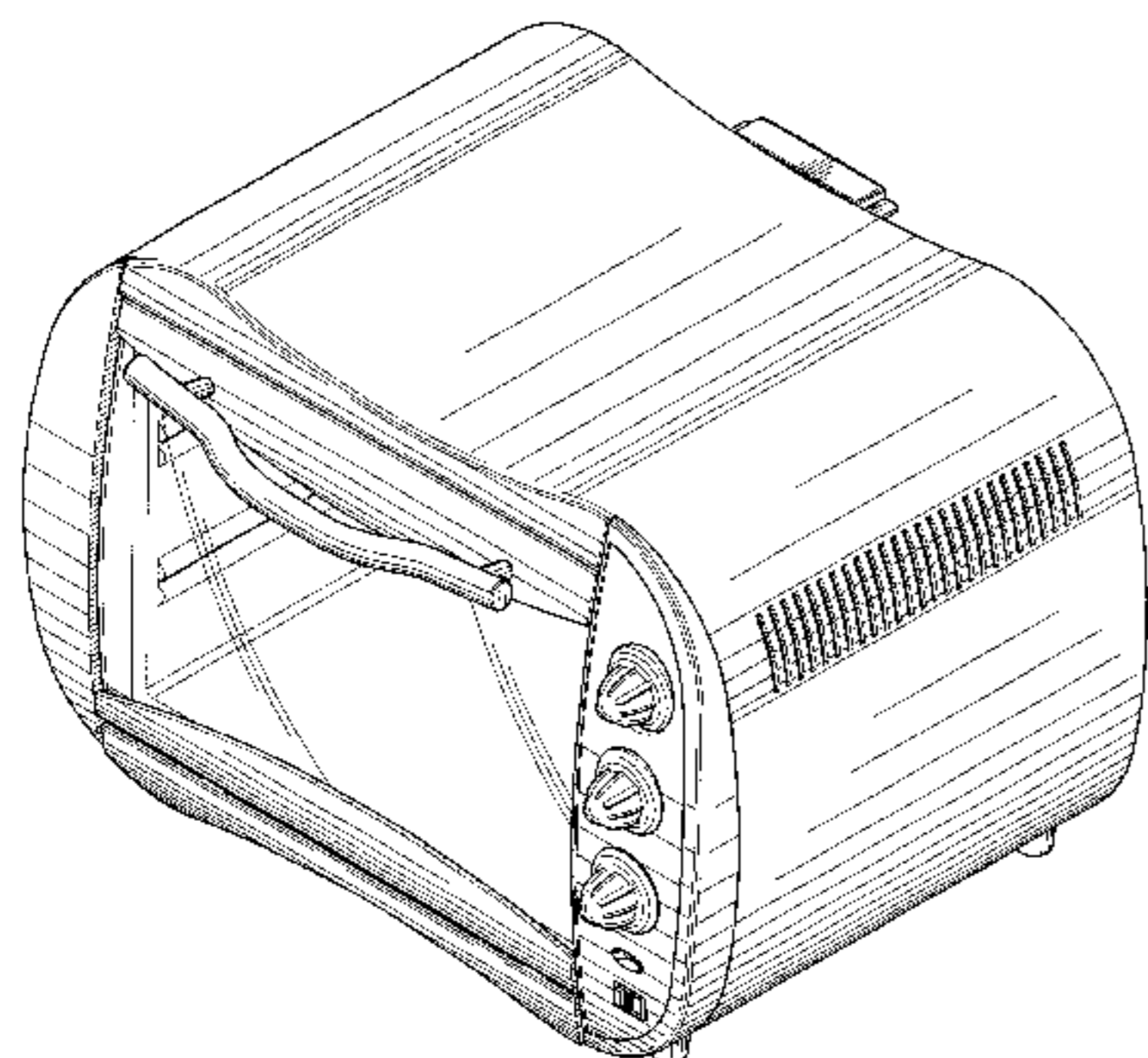
FIG. 1 is a perspective view from the front right of an oven showing my new design;
 FIG. 2 is a front view thereof;
 FIG. 3 is a rear view thereof;
 FIG. 4 is a left view thereof;
 FIG. 5 is a right view thereof;
 FIG. 6 is a top plan view thereof;
 FIG. 7 is a bottom plan view thereof; and,
 FIG. 8 is a rear and left perspective view thereof.

(56) **References Cited**

U.S. PATENT DOCUMENTS

- D380,643 S * 7/1997 Piret D7/350
- D412,637 S * 8/1999 Piret D7/350
- D415,926 S * 11/1999 De'Longhi D7/350
- D420,245 S * 2/2000 De'Longhi D7/351

1 Claim, 5 Drawing Sheets



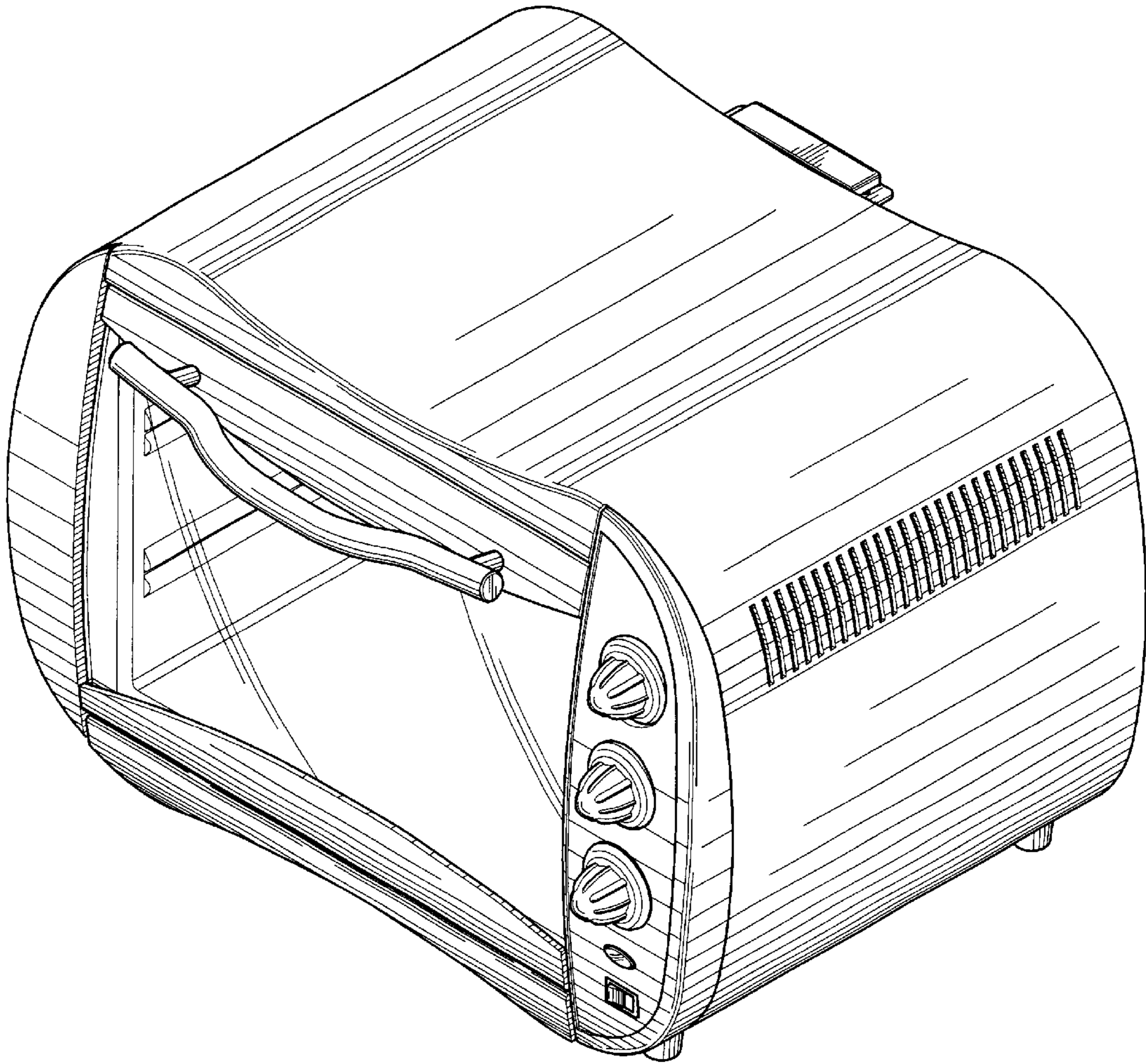


FIG. 1

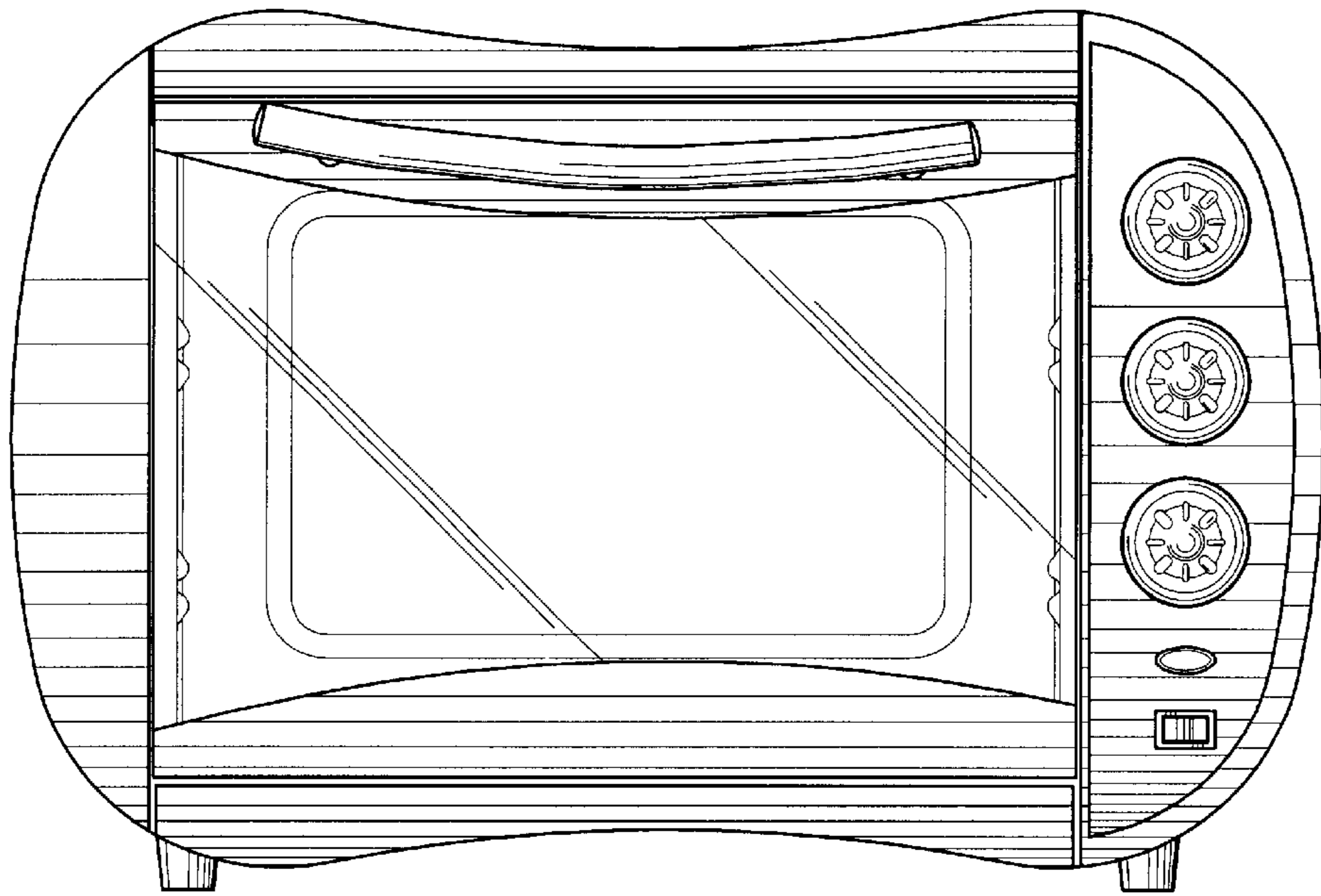


FIG. 2

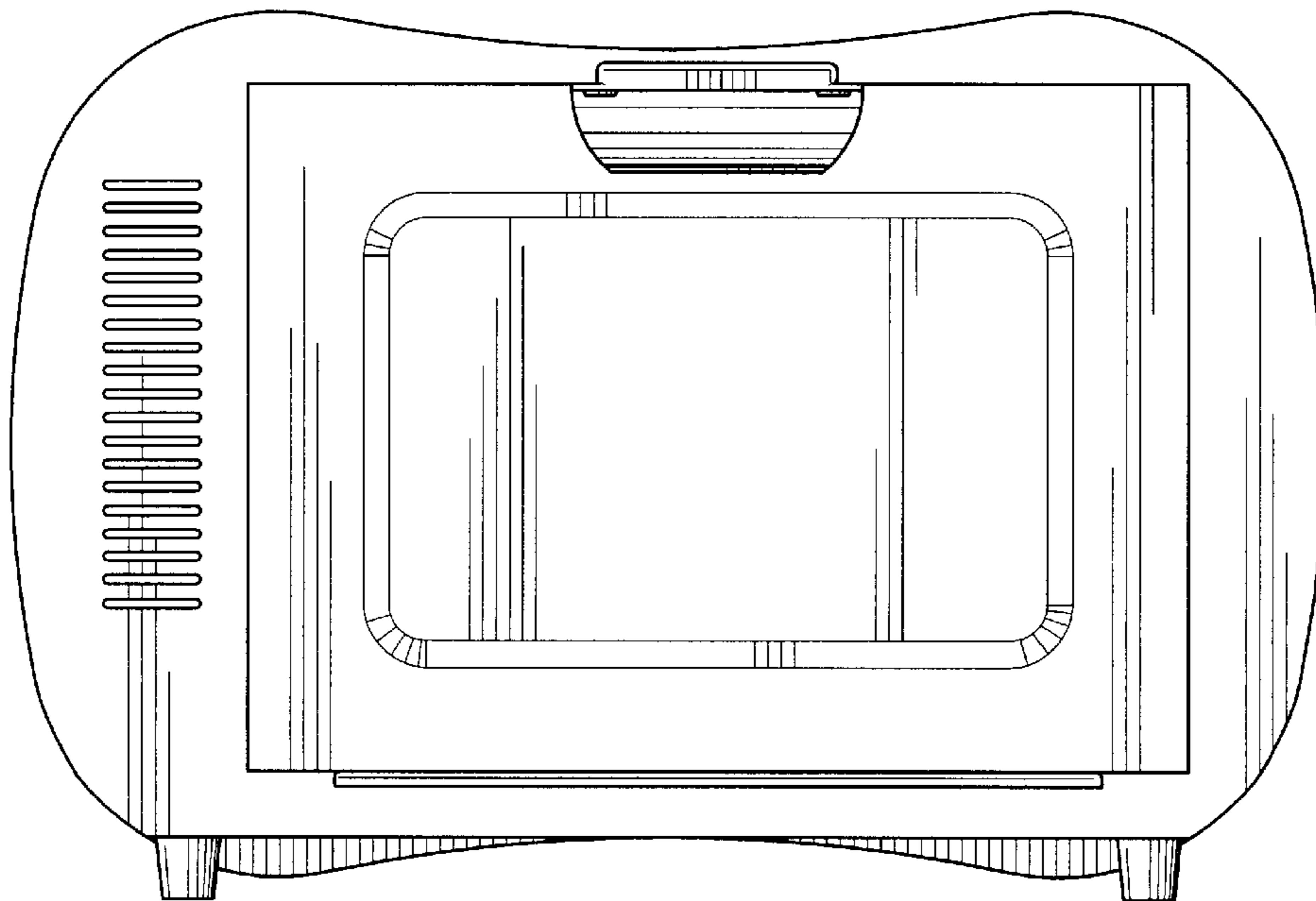


FIG. 3

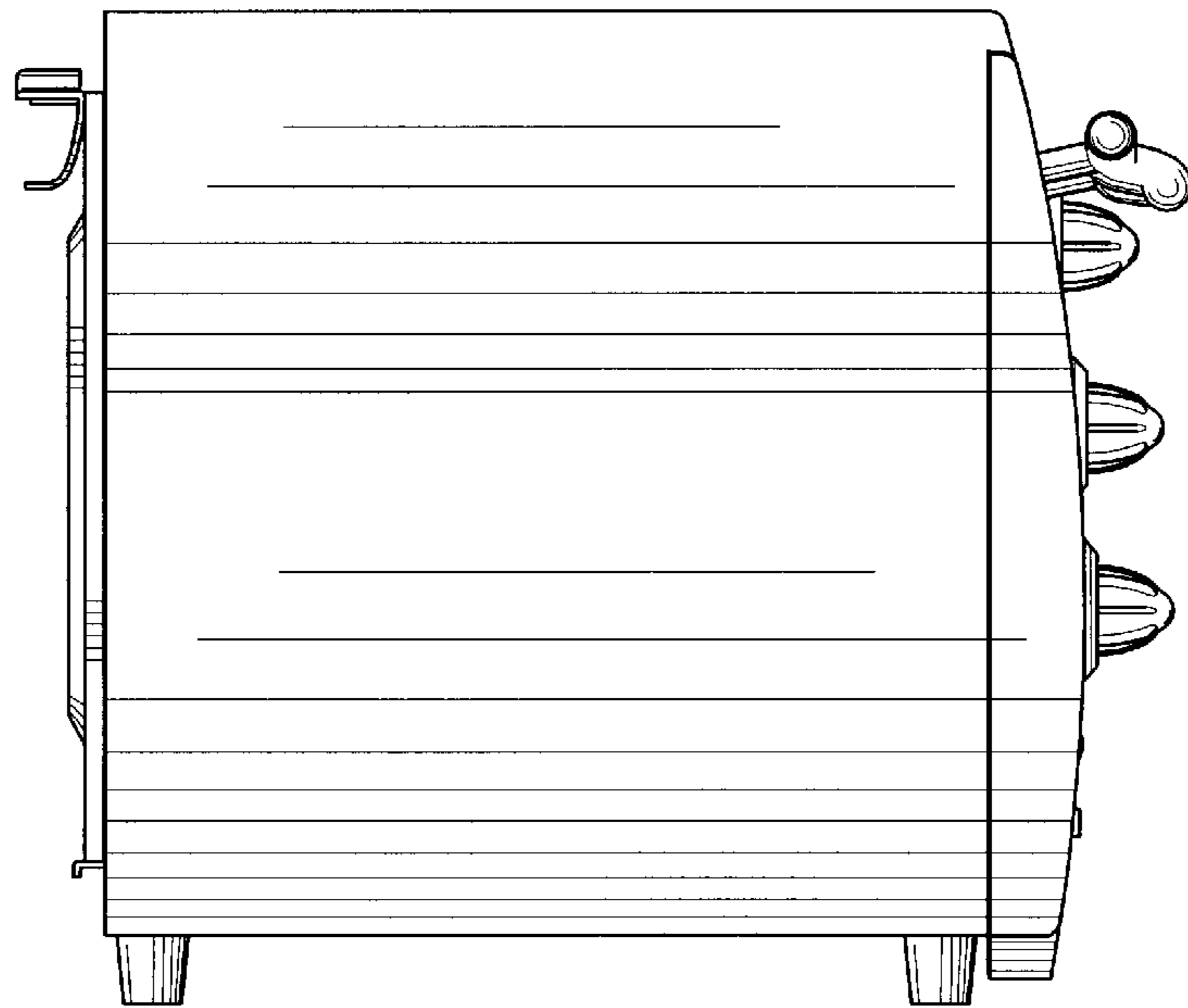


FIG. 4

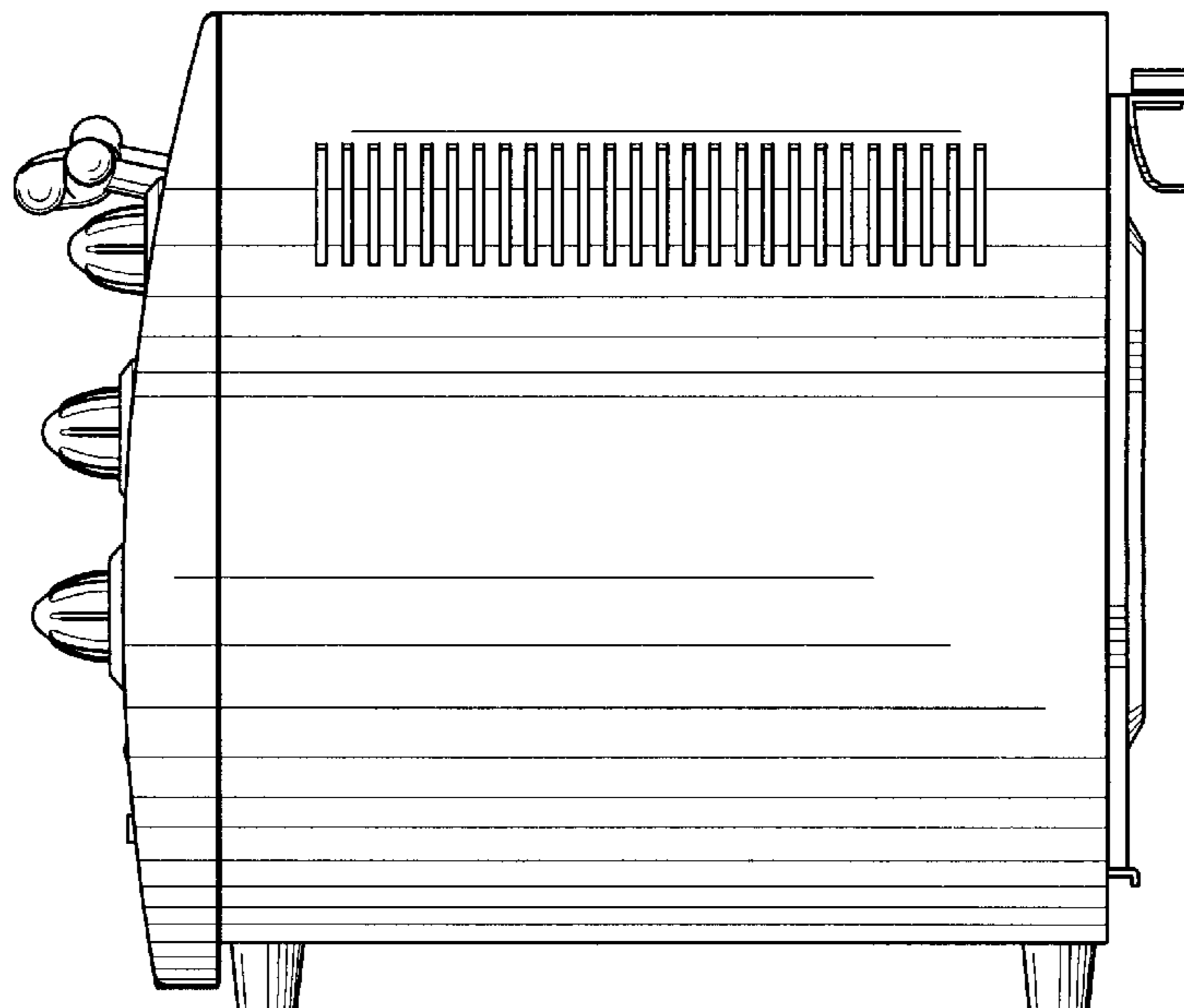


FIG. 5

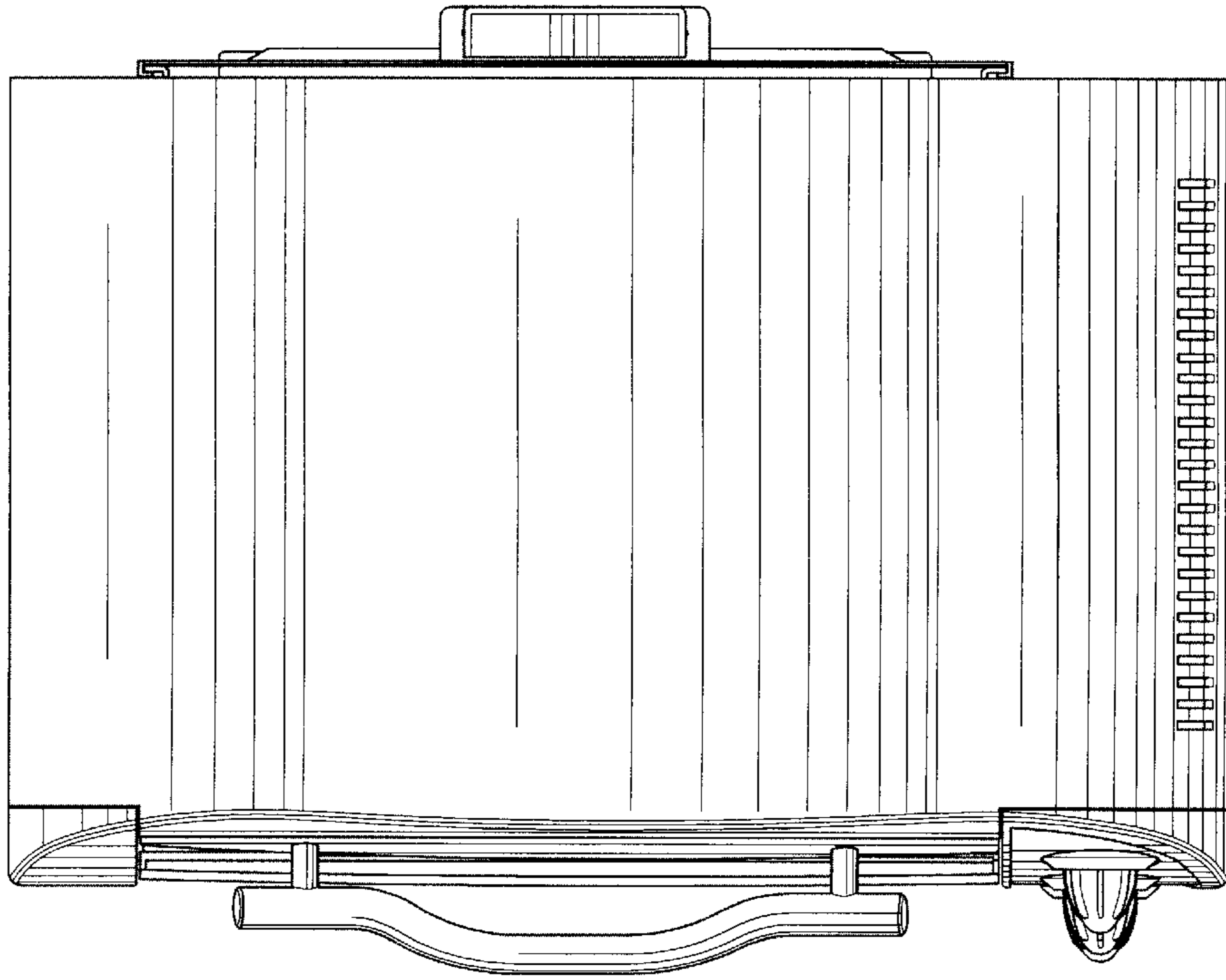


FIG. 6

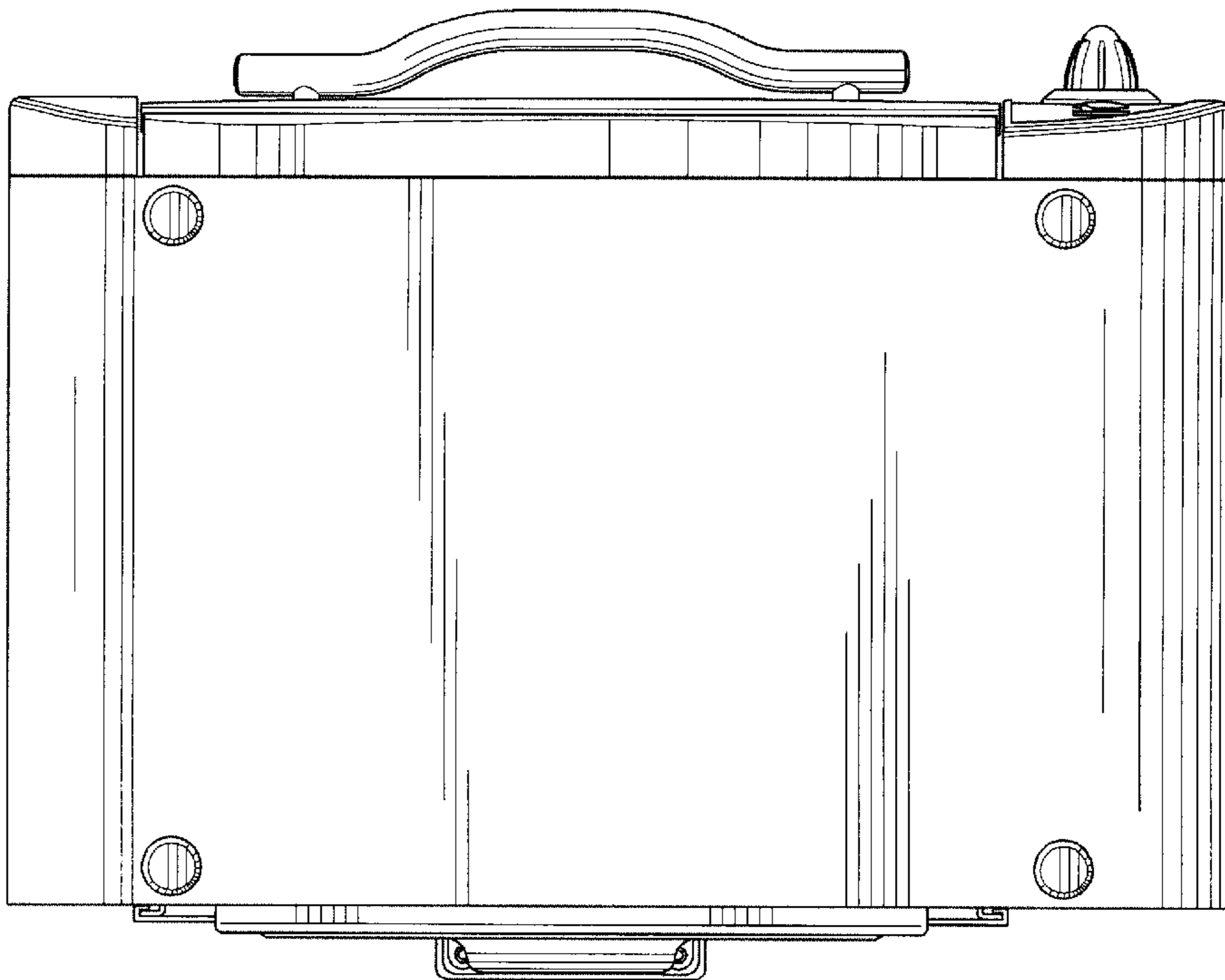
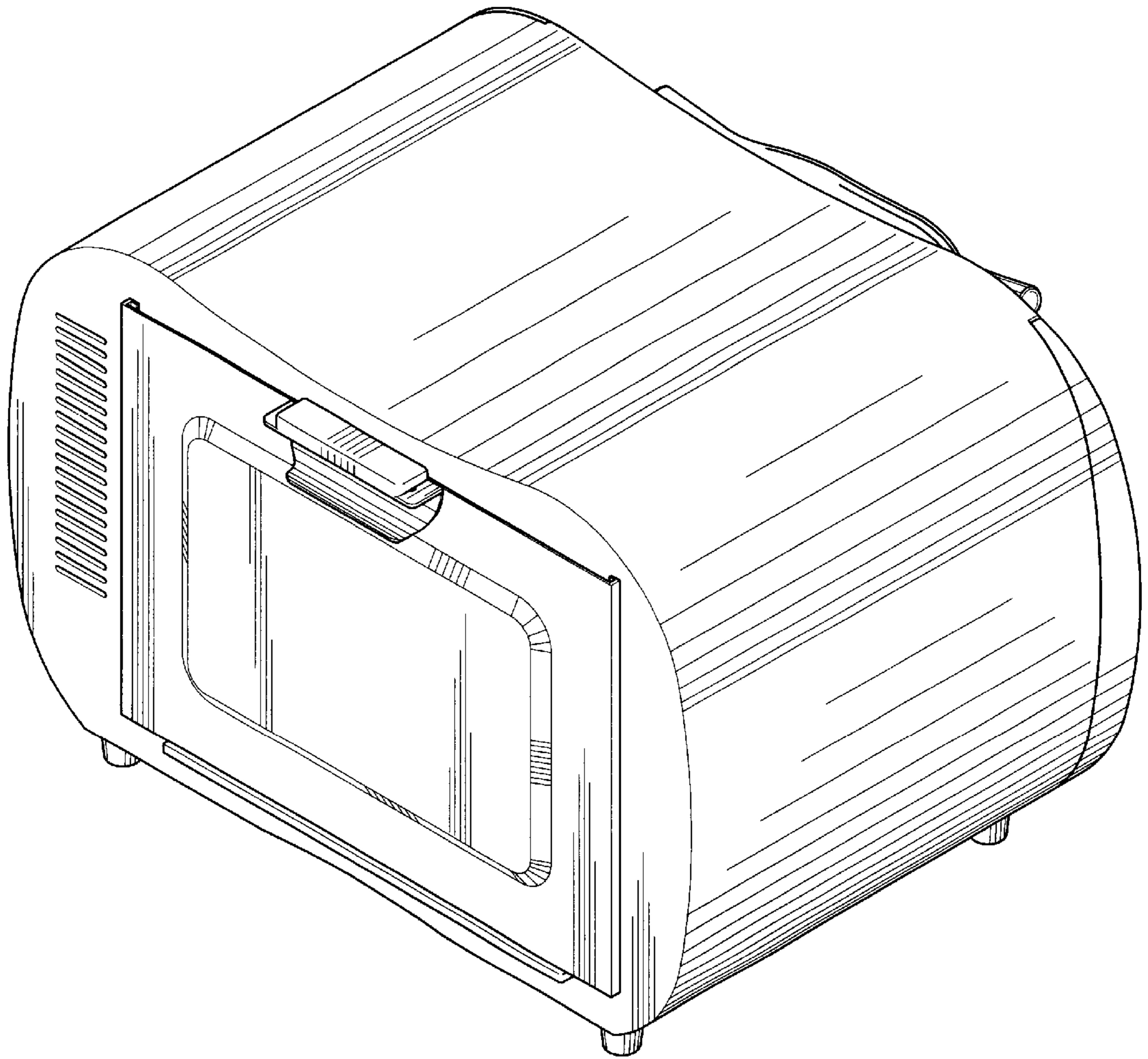


FIG. 7



F I G . 8