



US00D476844S

(12) **United States Design Patent**
Hsu

(10) **Patent No.:** **US D476,844 S**

(45) **Date of Patent:** **** Jul. 8, 2003**

- (54) **OVEN**
- (75) Inventor: **Tony Hsu, Yung Kang (TW)**
- (73) Assignee: **Lundar Electric Industrial Co., Ltd.,
Tainan Hsien (TW)**
- (**) Term: **14 Years**
- (21) Appl. No.: **29/169,032**
- (22) Filed: **Oct. 15, 2002**
- (51) **LOC (7) Cl.** **07-02**
- (52) **U.S. Cl.** **D7/350.4**
- (58) **Field of Search** D7/350.1, 350.3,
D7/350.4, 351, 402, 405-406; 126/273 A,
275 R, 275 E, 19 M, 21 R; 219/678, 756-758;
99/DIG. 14, 341

- D422,172 S * 4/2000 Hsu D7/350
- D433,867 S * 11/2000 Hsu D7/350
- D434,939 S * 12/2000 To D7/350
- D451,333 S * 12/2001 Hsu D7/350.4
- D466,757 S * 12/2002 Hsu D7/350.1

* cited by examiner

Primary Examiner—Ruth McInroy

(74) *Attorney, Agent, or Firm*—Rosenberg, Klein & Lee

(57) **CLAIM**

The ornamental design for an oven, as shown and described.

DESCRIPTION

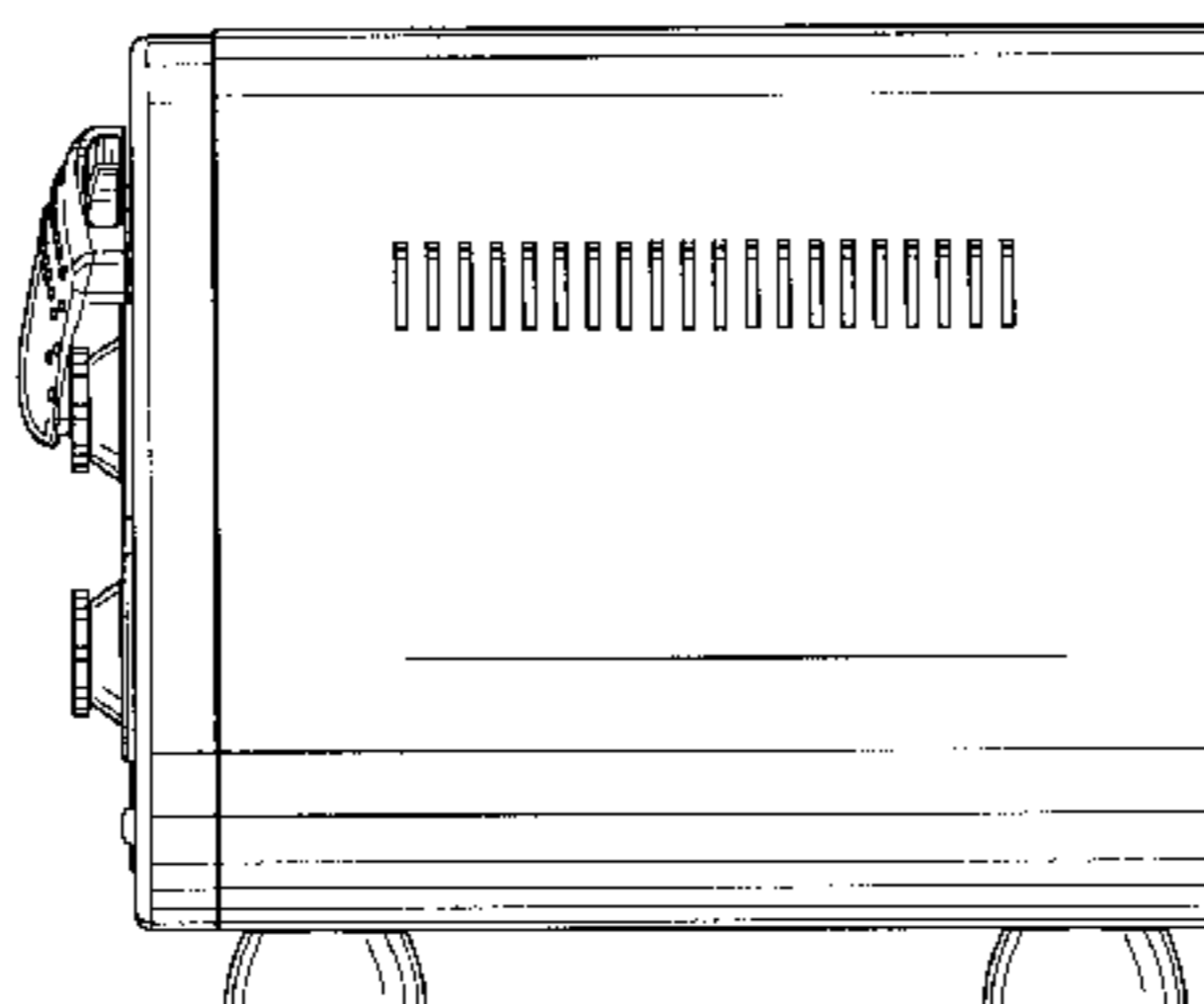
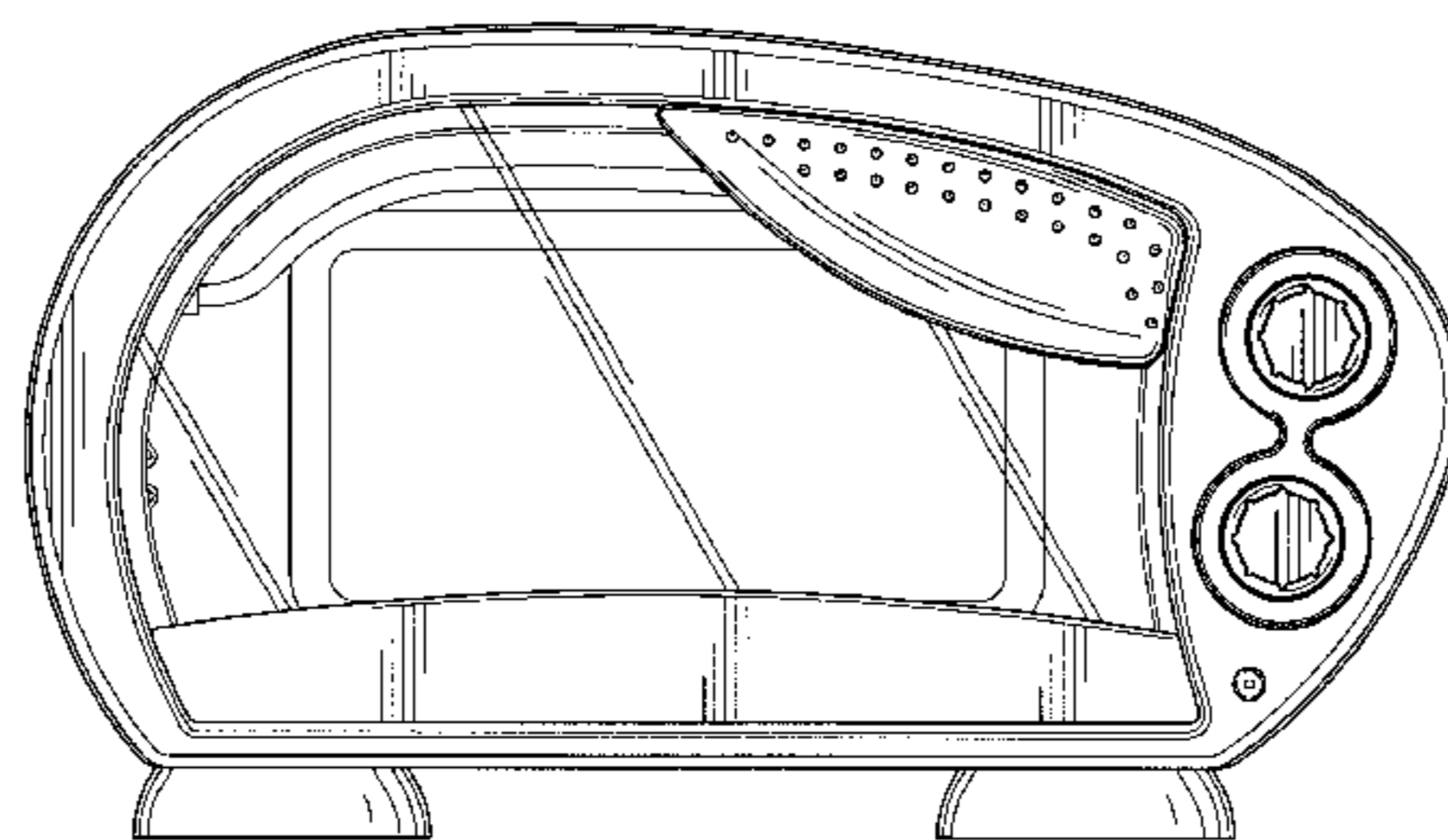
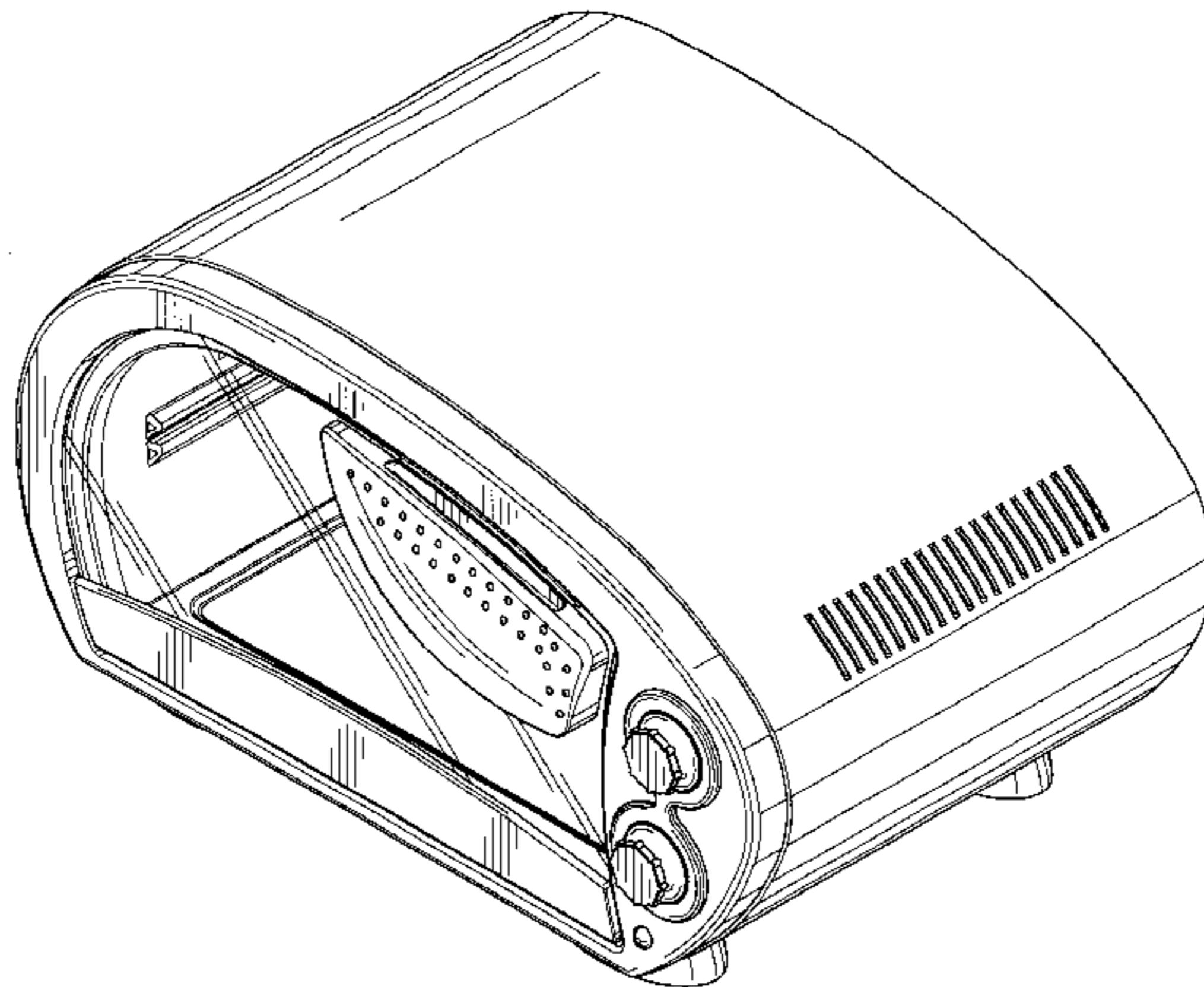
FIG. 1 is a perspective view of an oven showing my new design;
 FIG. 2 is a front view thereof;
 FIG. 3 is a rear view thereof;
 FIG. 4 is a left view thereof;
 FIG. 5 is a right view thereof;
 FIG. 6 is a top plan view thereof; and,
 FIG. 7 is a bottom plan view.

(56) **References Cited**

U.S. PATENT DOCUMENTS

- D36,680 S * 12/1903 Dahman D7/350.4
- D119,607 S * 3/1940 Brannon D7/350.1
- D413,040 S * 8/1999 Lawrence et al. D7/328

1 Claim, 4 Drawing Sheets



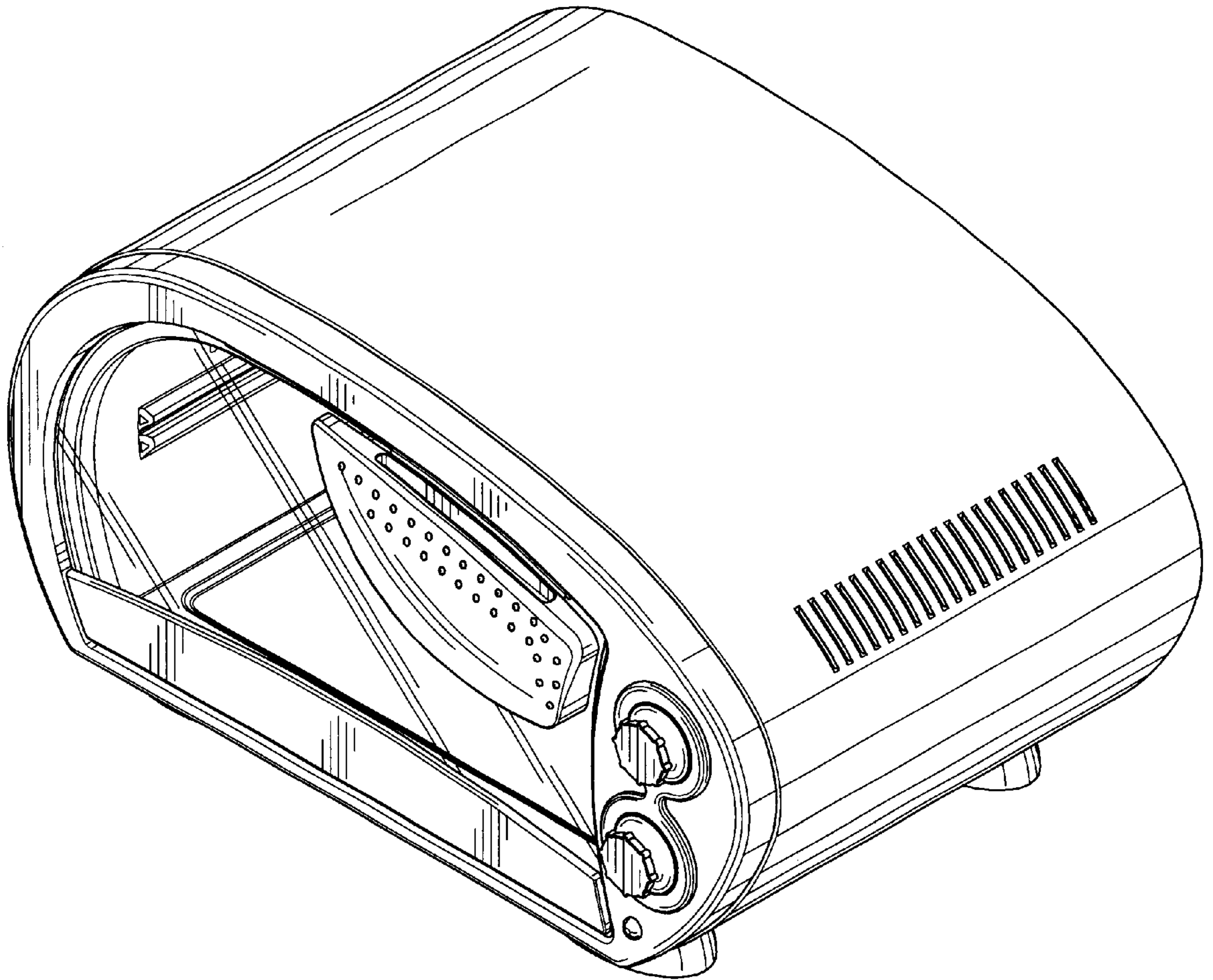


FIG. 1

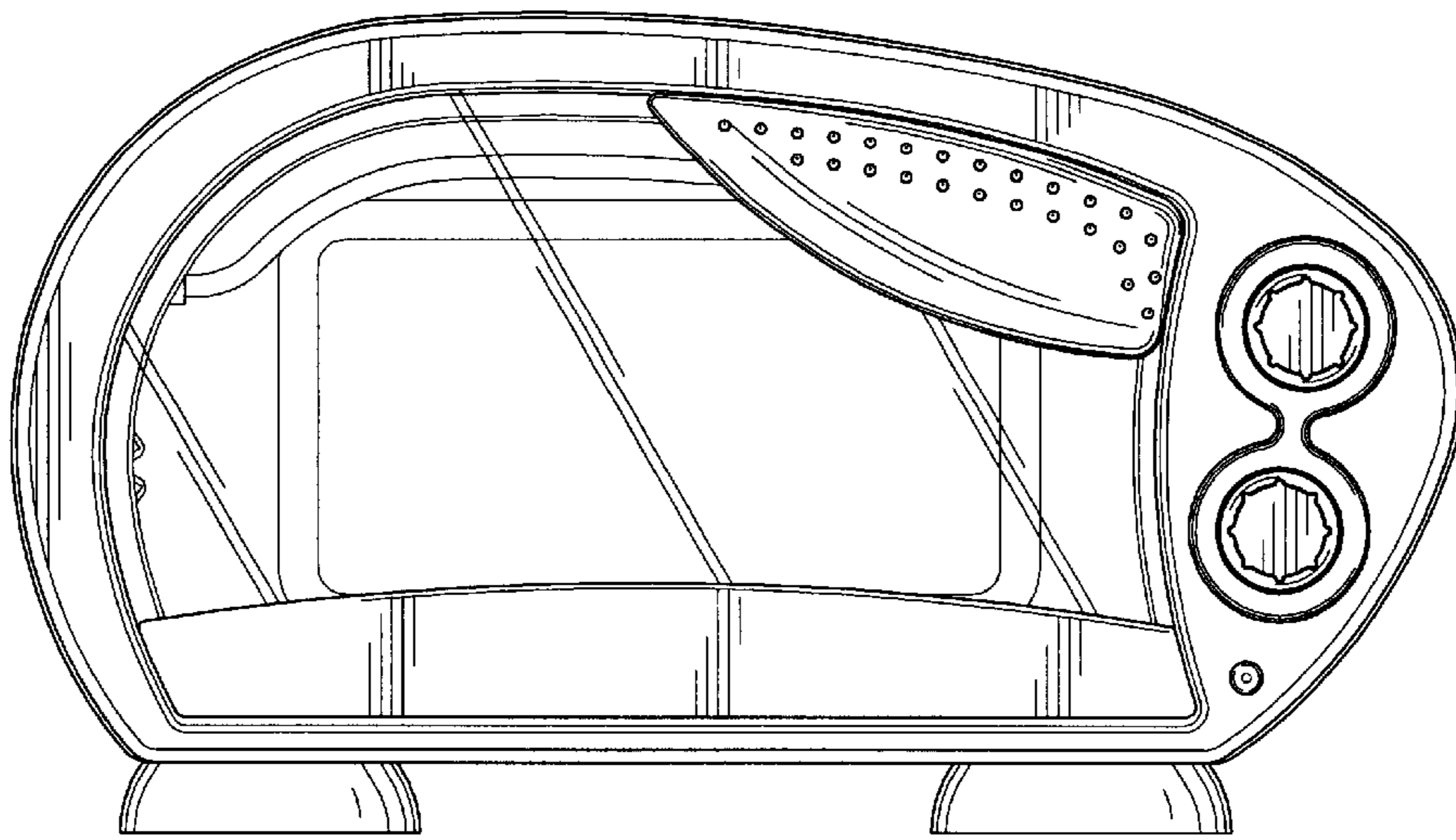


FIG. 2

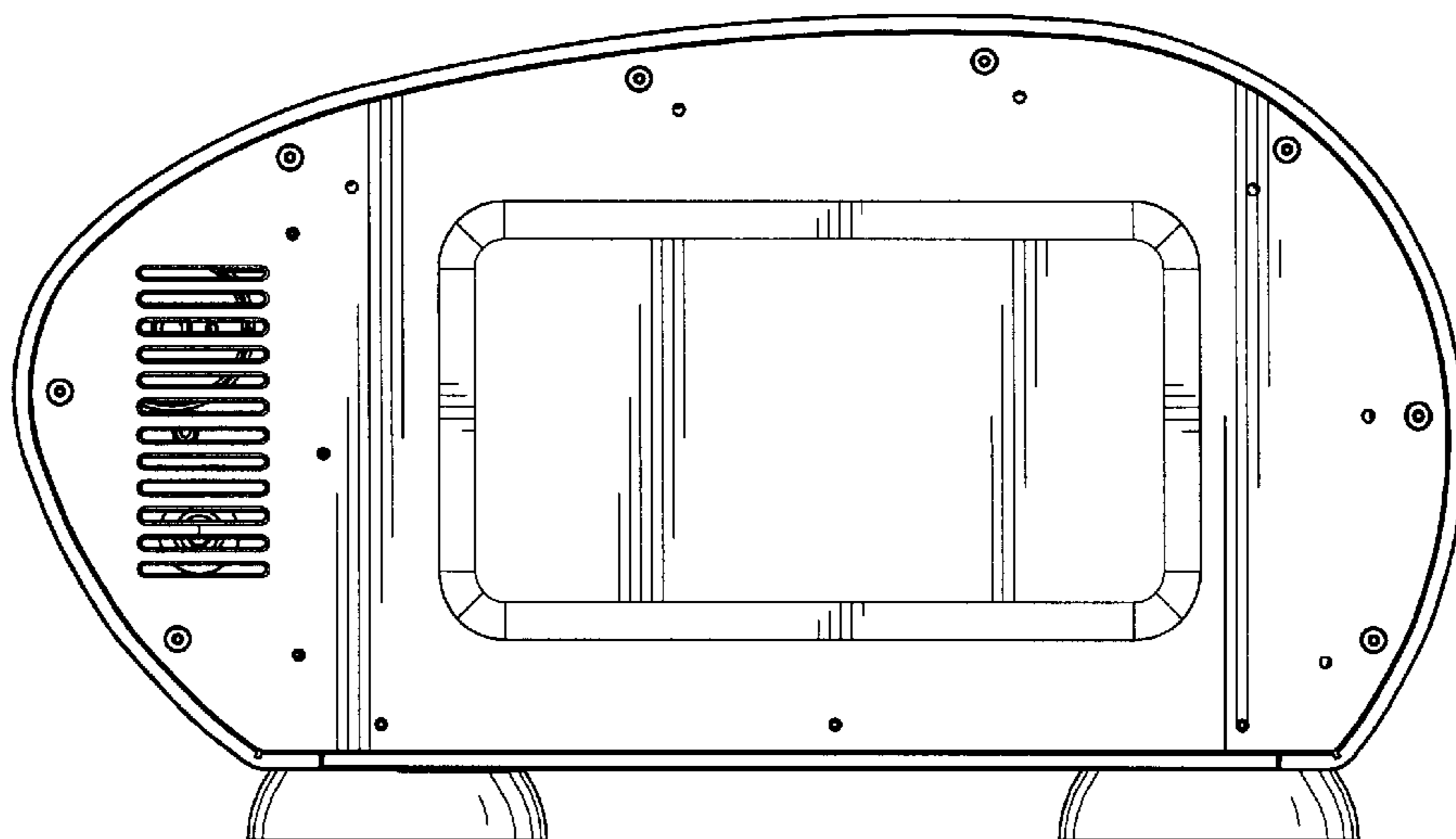


FIG. 3

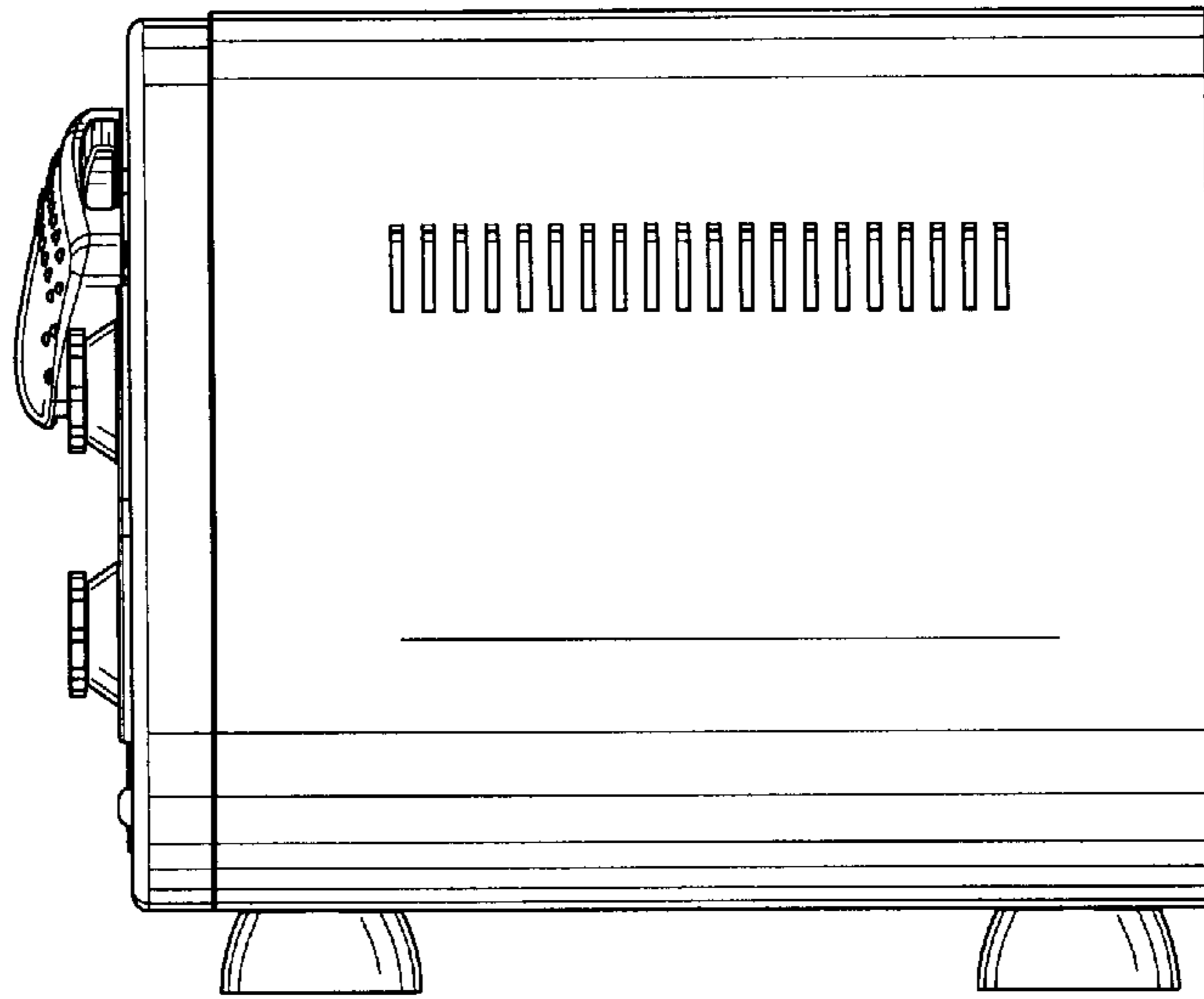


FIG. 4

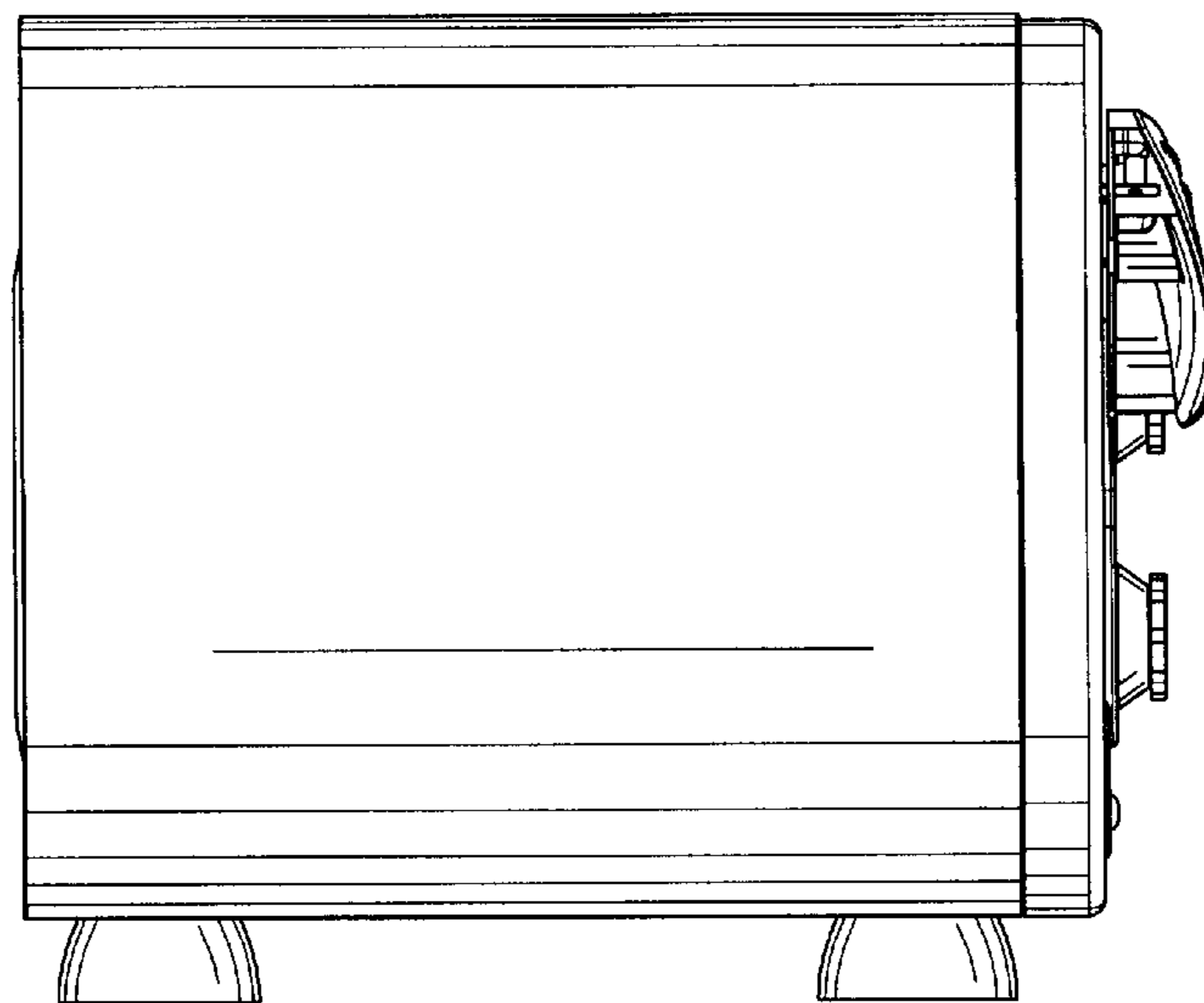


FIG. 5

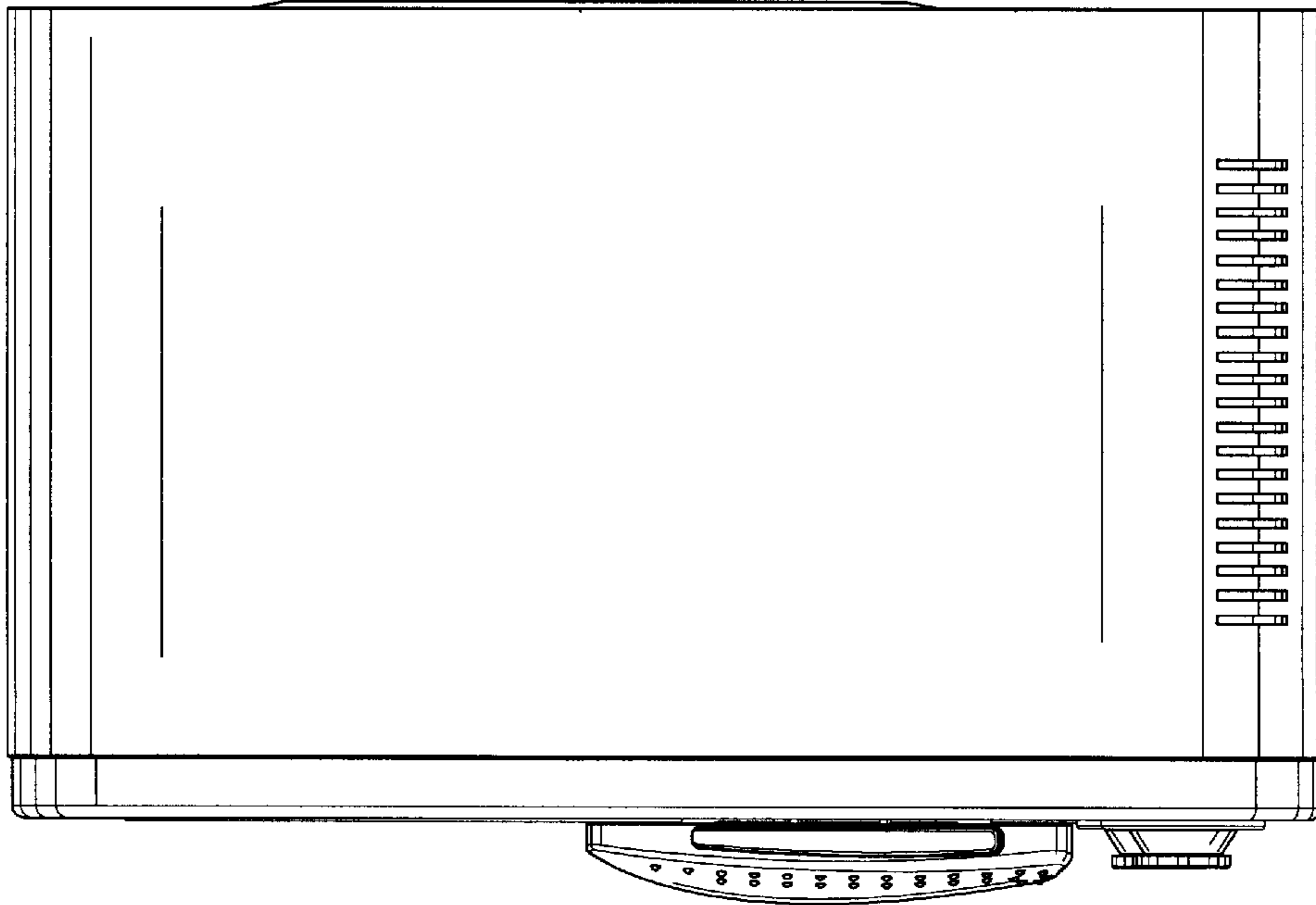


FIG. 6

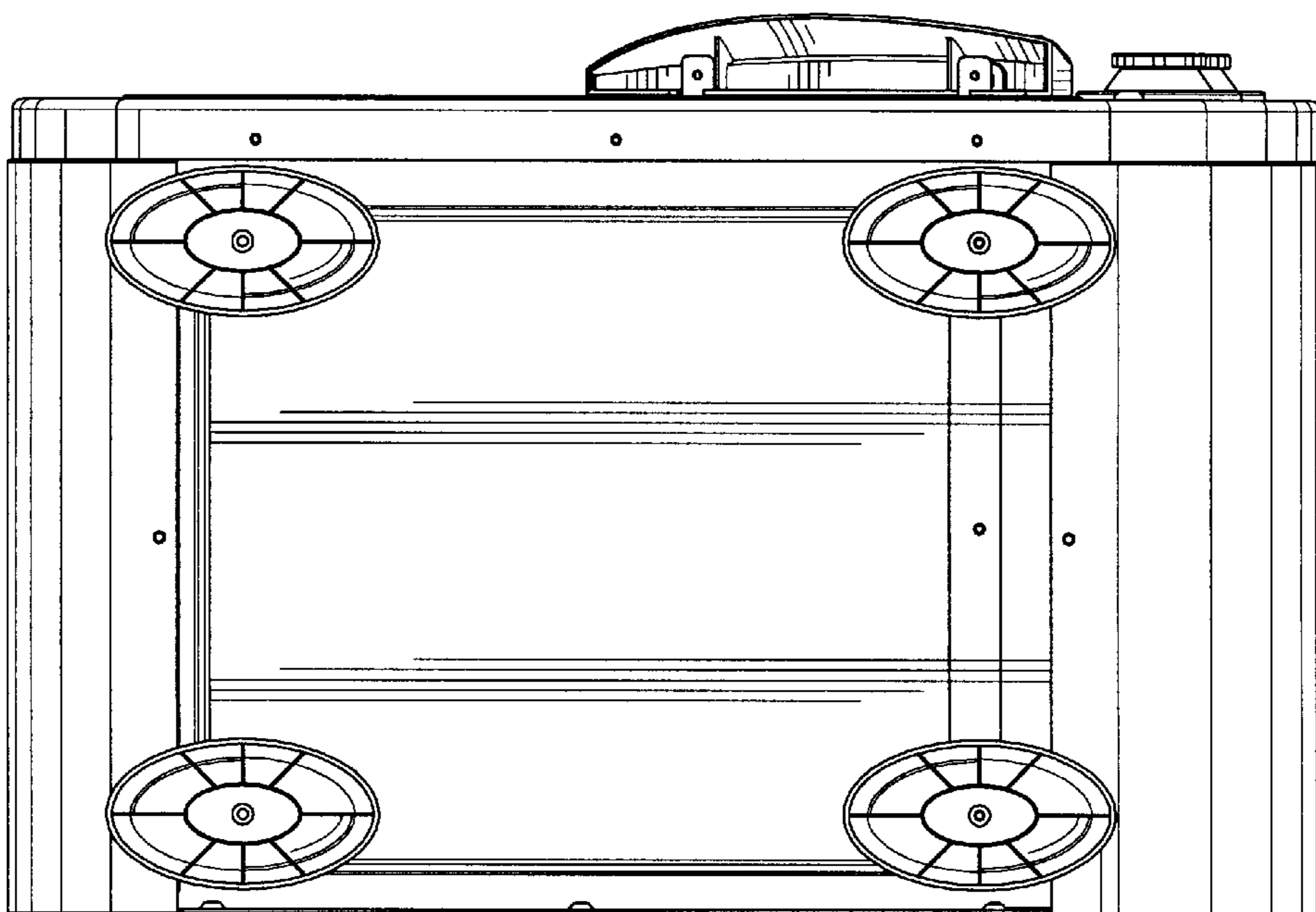


FIG. 7