



US00D476843S

(12) **United States Design Patent**
Pai

(10) **Patent No.:** **US D476,843 S**

(45) **Date of Patent:** **** Jul. 8, 2003**

(54) **SHELL-LIKE ROASTER**

(76) **Inventor:** **Lucas Pai**, 8 Fl.-2, No. 160, Sec. 1,
Chung-Kang Rd., Taichung (TW)

(**) **Term:** **14 Years**

(21) **Appl. No.:** **29/159,241**

(22) **Filed:** **Feb. 28, 2002**

(51) **LOC (7) Cl.** **07-02**

(52) **U.S. Cl.** **D7/332**

(58) **Field of Search** D7/332-337, 402-404;
126/25 R, 8, 9 R, 38, 41 R, 268, 276; 99/339,
421 R, 357

(56) **References Cited**

U.S. PATENT DOCUMENTS

- D358,059 S * 5/1995 Peterson et al. D7/334
- D361,466 S * 8/1995 Peterson et al. D7/334
- D455,039 S * 4/2002 Pai D7/334
- D459,142 S * 6/2002 Wu D7/334

D459,938 S * 7/2002 Pai D7/334

D463,949 S * 10/2002 Pai D7/334

D464,525 S * 10/2002 Pai D7/337

* cited by examiner

Primary Examiner—Ruth McInroy

(74) *Attorney, Agent, or Firm*—Varndell & Varndell, PLLC

(57) **CLAIM**

The ornamental design for a shell-like roaster, as shown.

DESCRIPTION

FIG. 1 is a perspective view of a shell-like roaster showing my new design;

FIG. 2 is a front elevational view thereof;

FIG. 3 is a rear elevational view thereof;

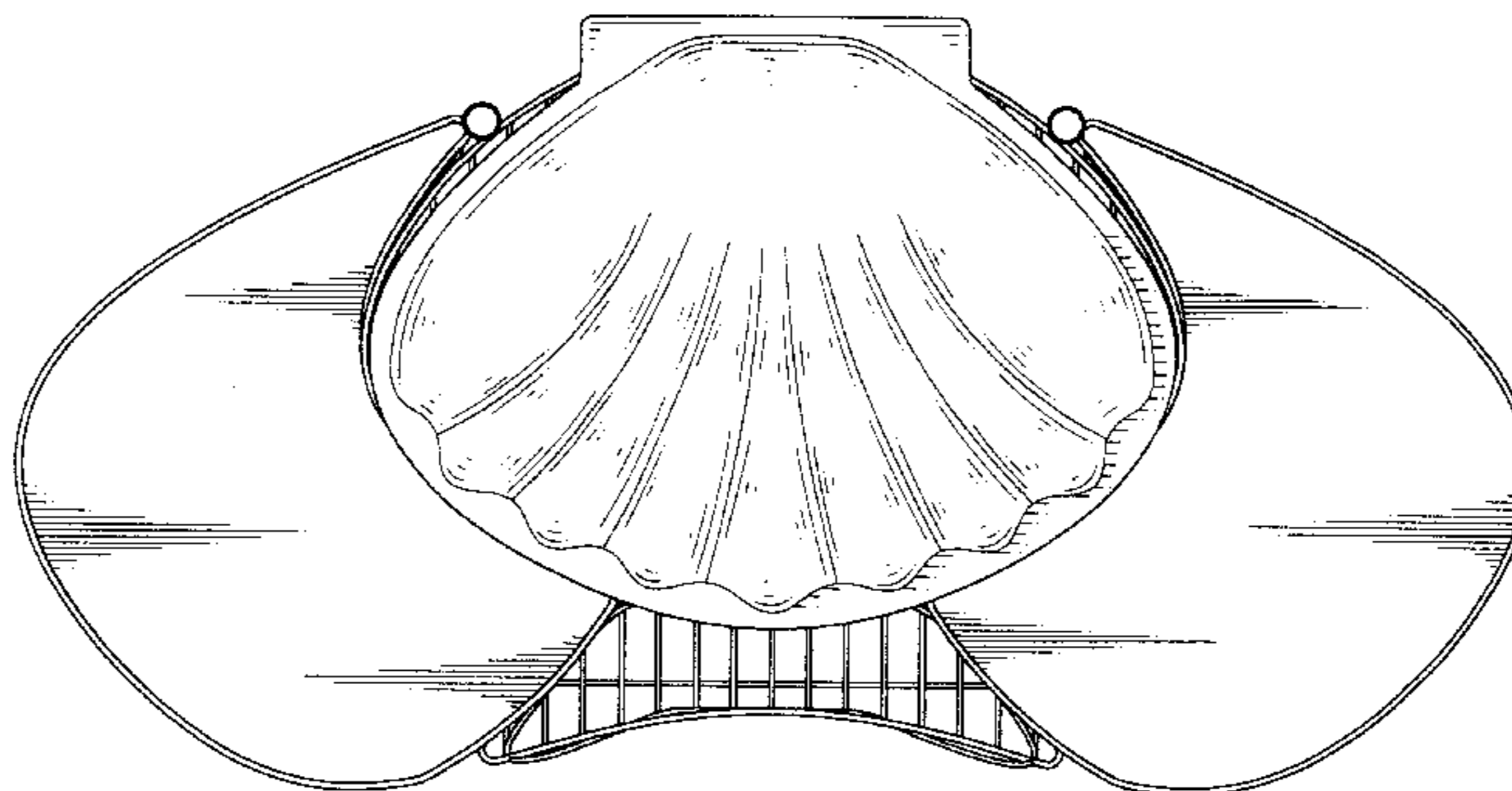
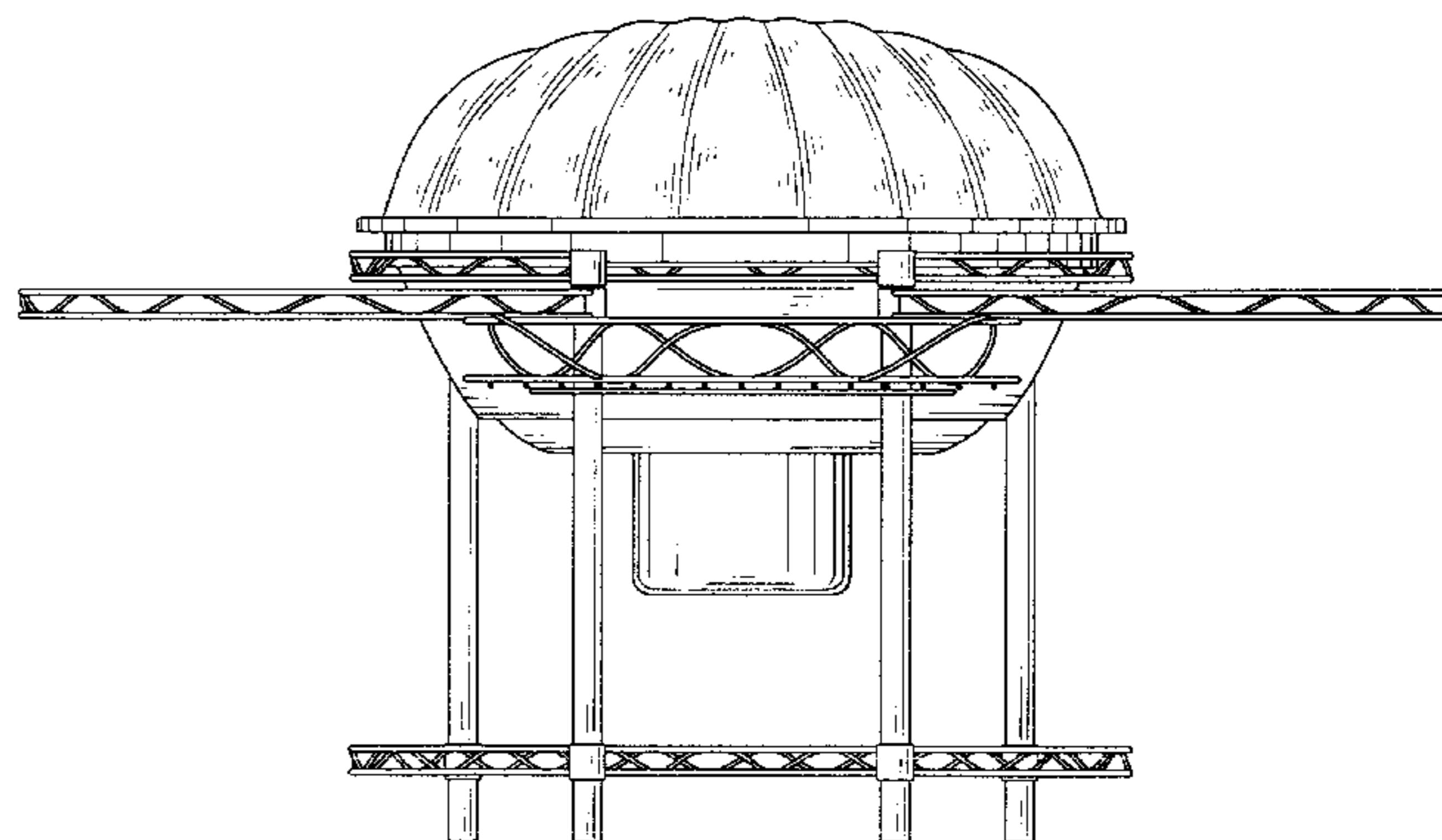
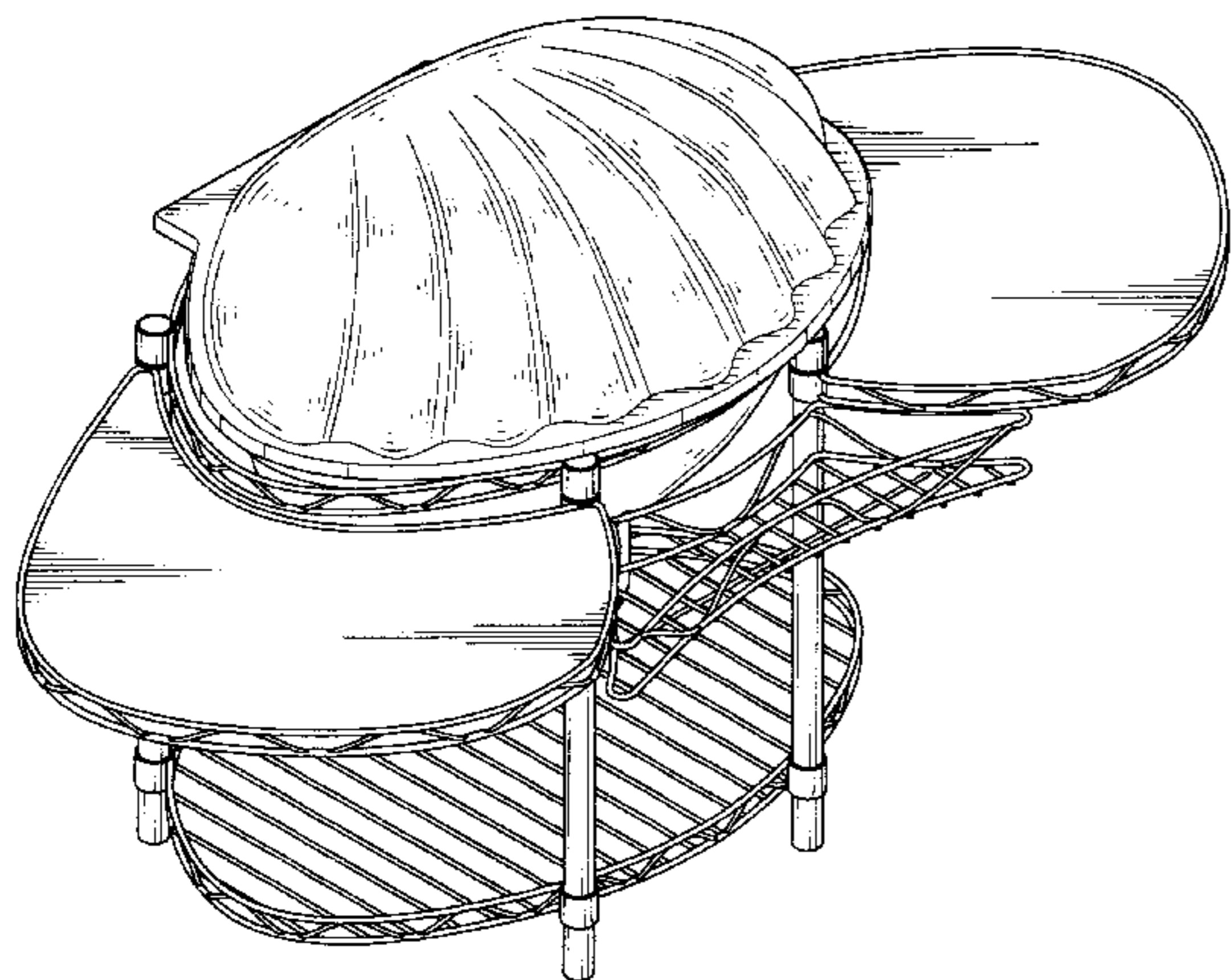
FIG. 4 is a left side view thereof;

FIG. 5 is a right side view thereof;

FIG. 6 is a top plain view thereof; and,

FIG. 7 is a bottom plain view thereof.

1 Claim, 6 Drawing Sheets



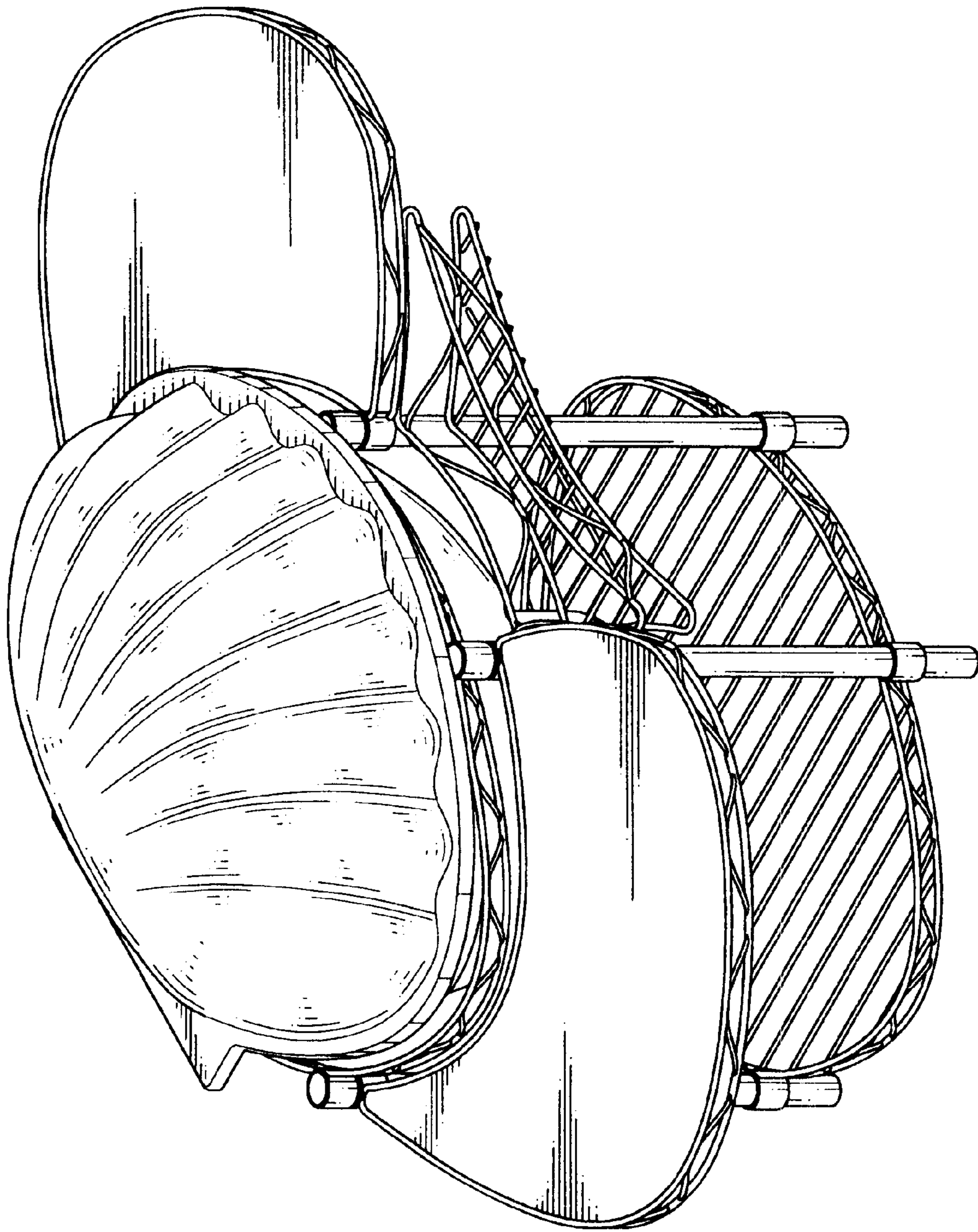


FIG.1

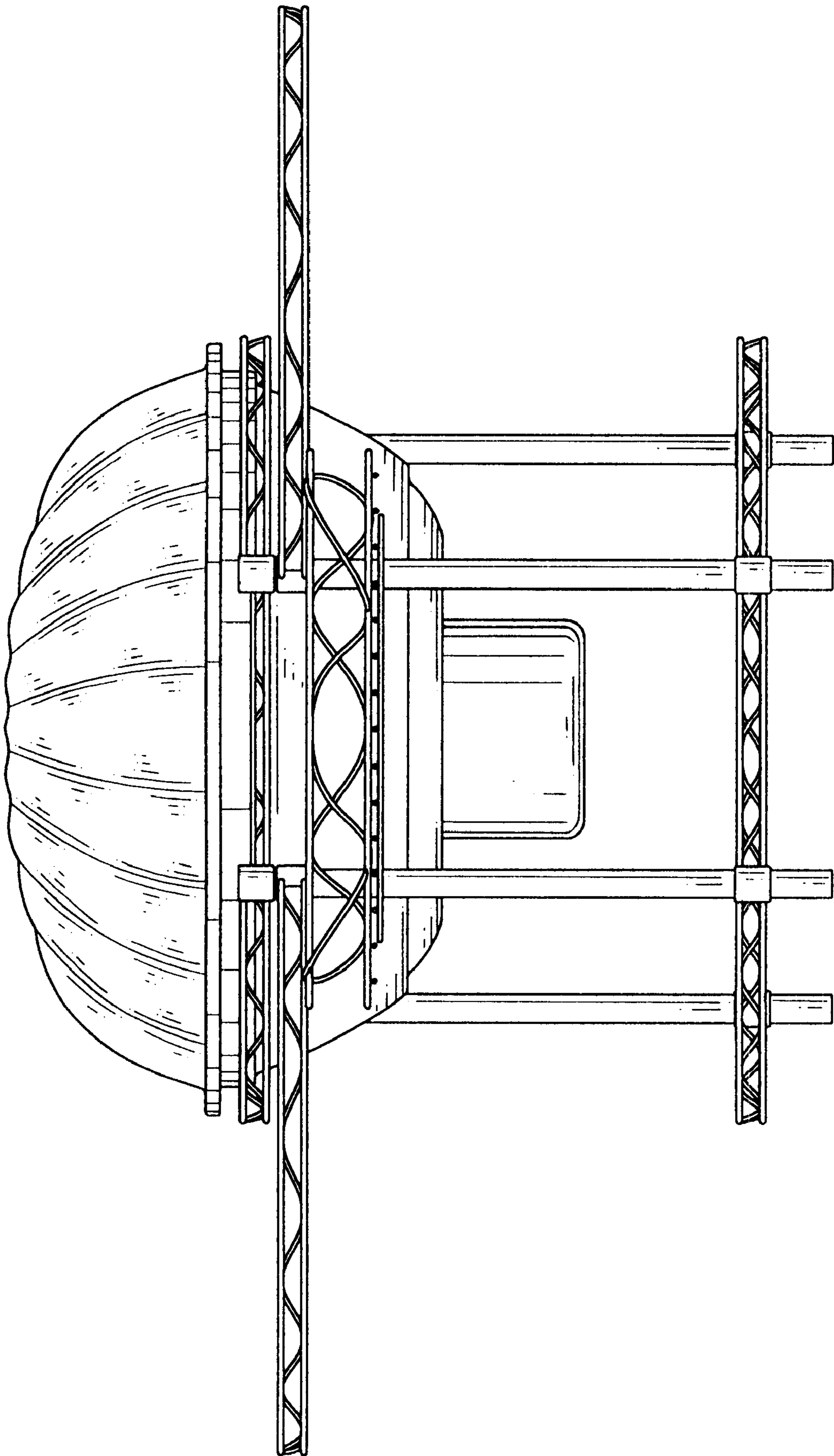


FIG. 2

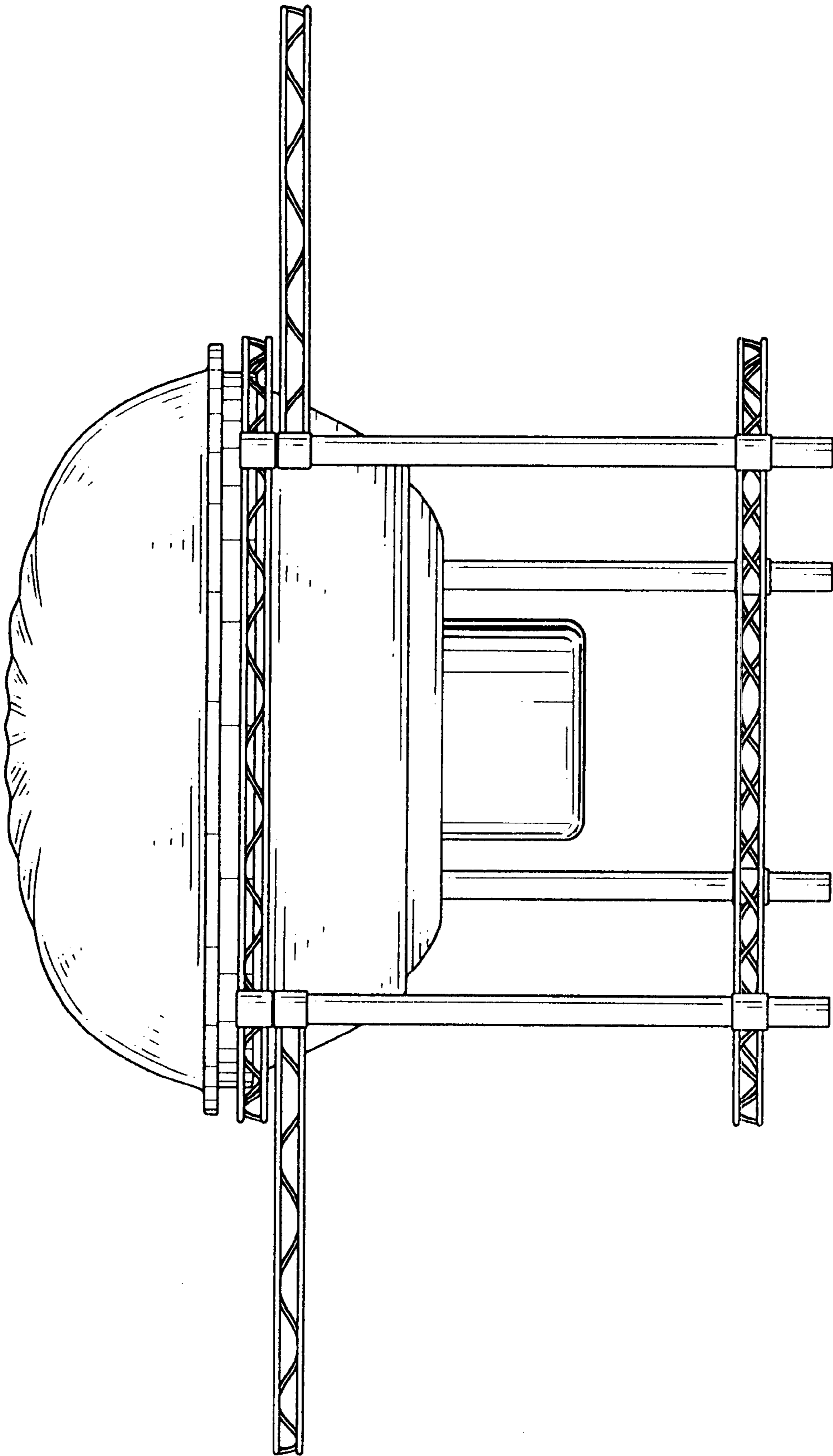


FIG. 3

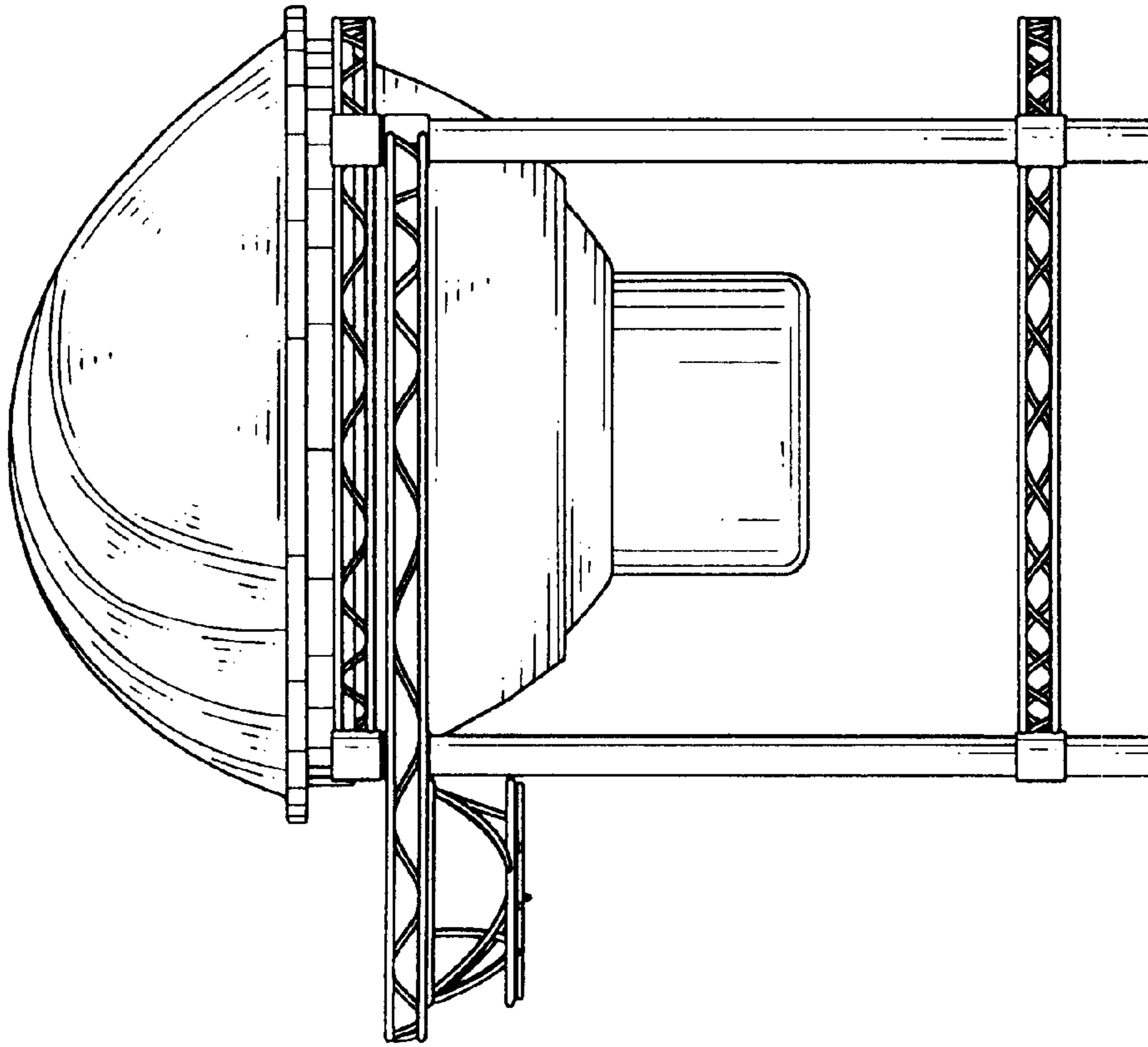


FIG. 4

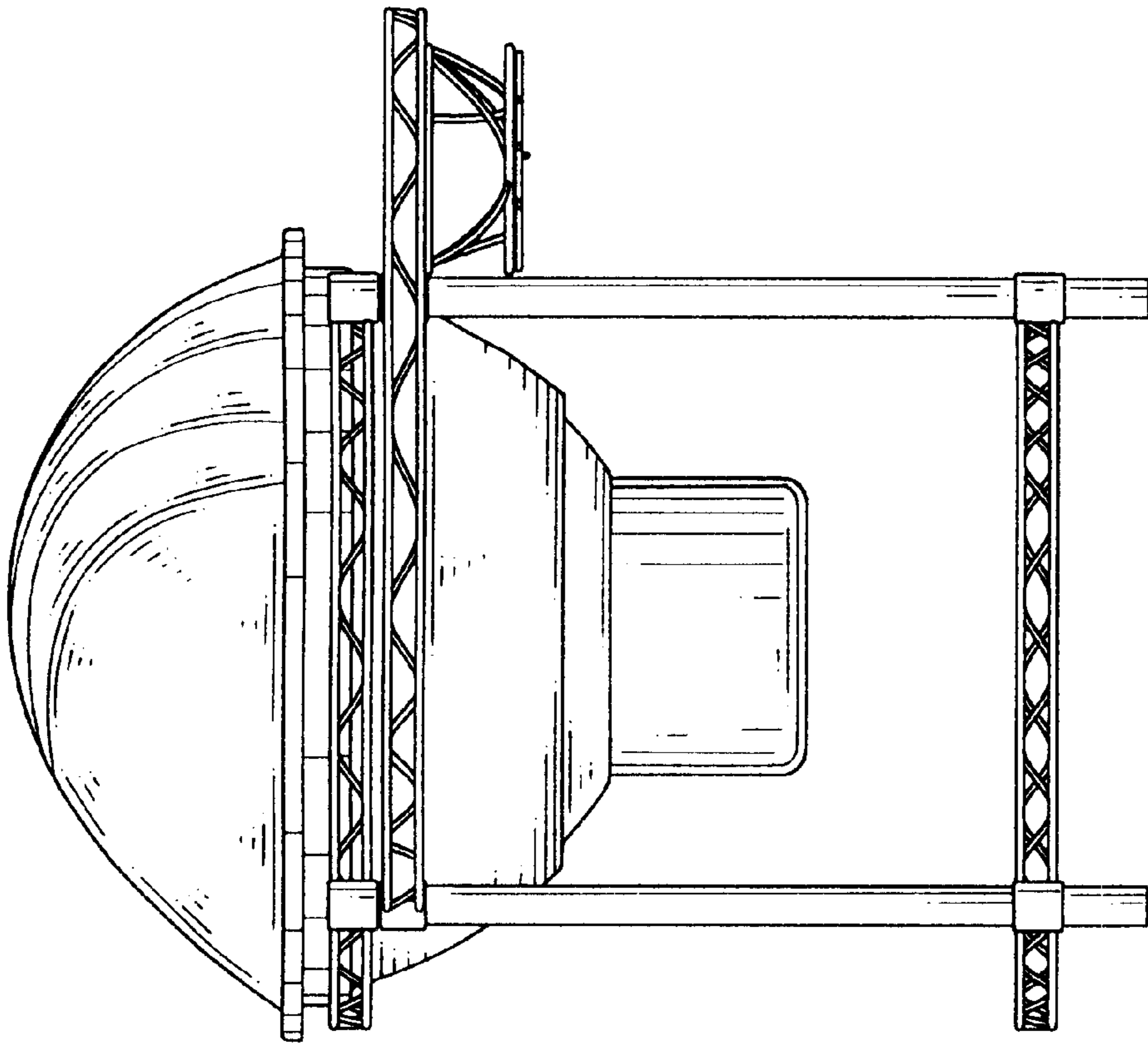


FIG. 5

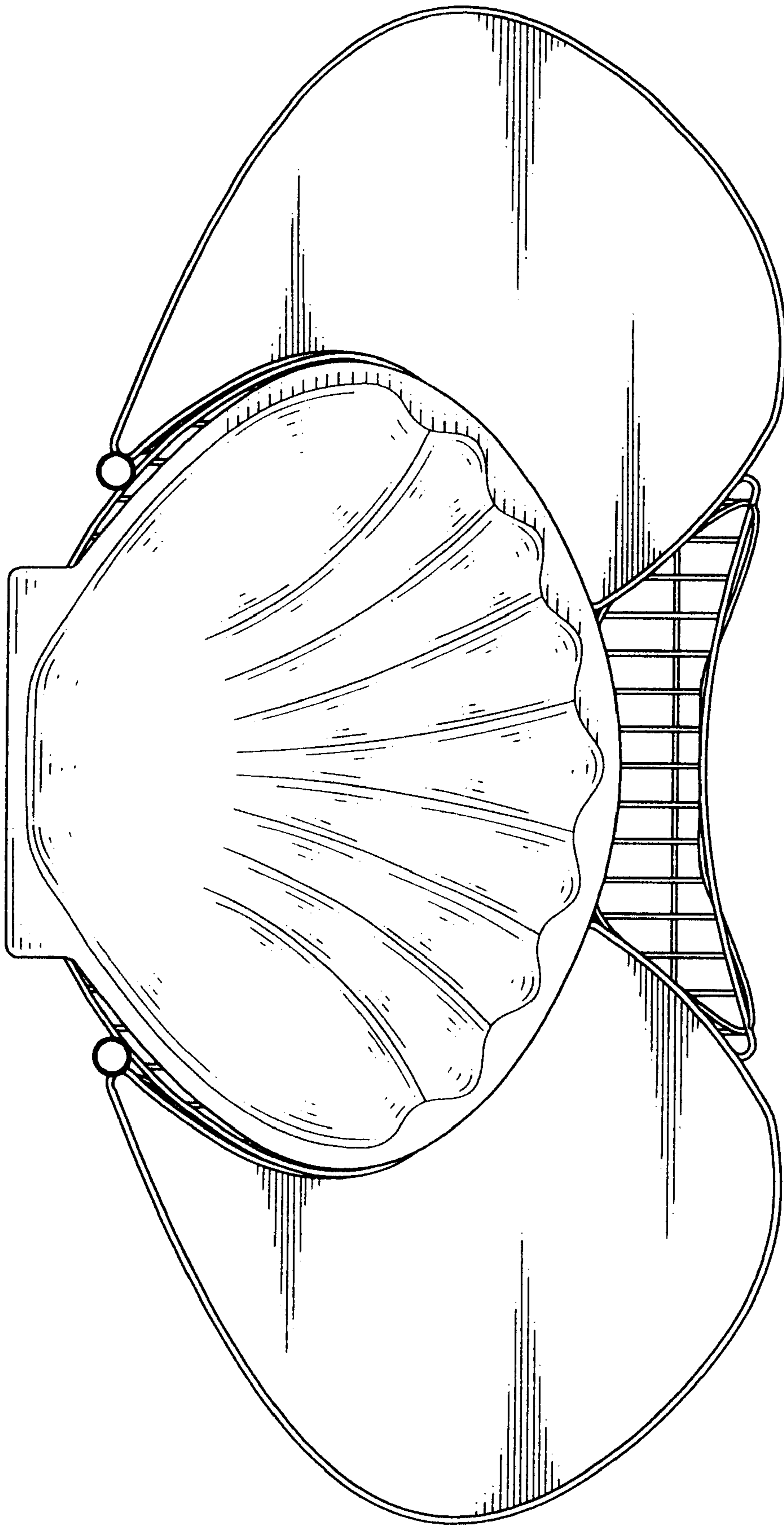


FIG. 6

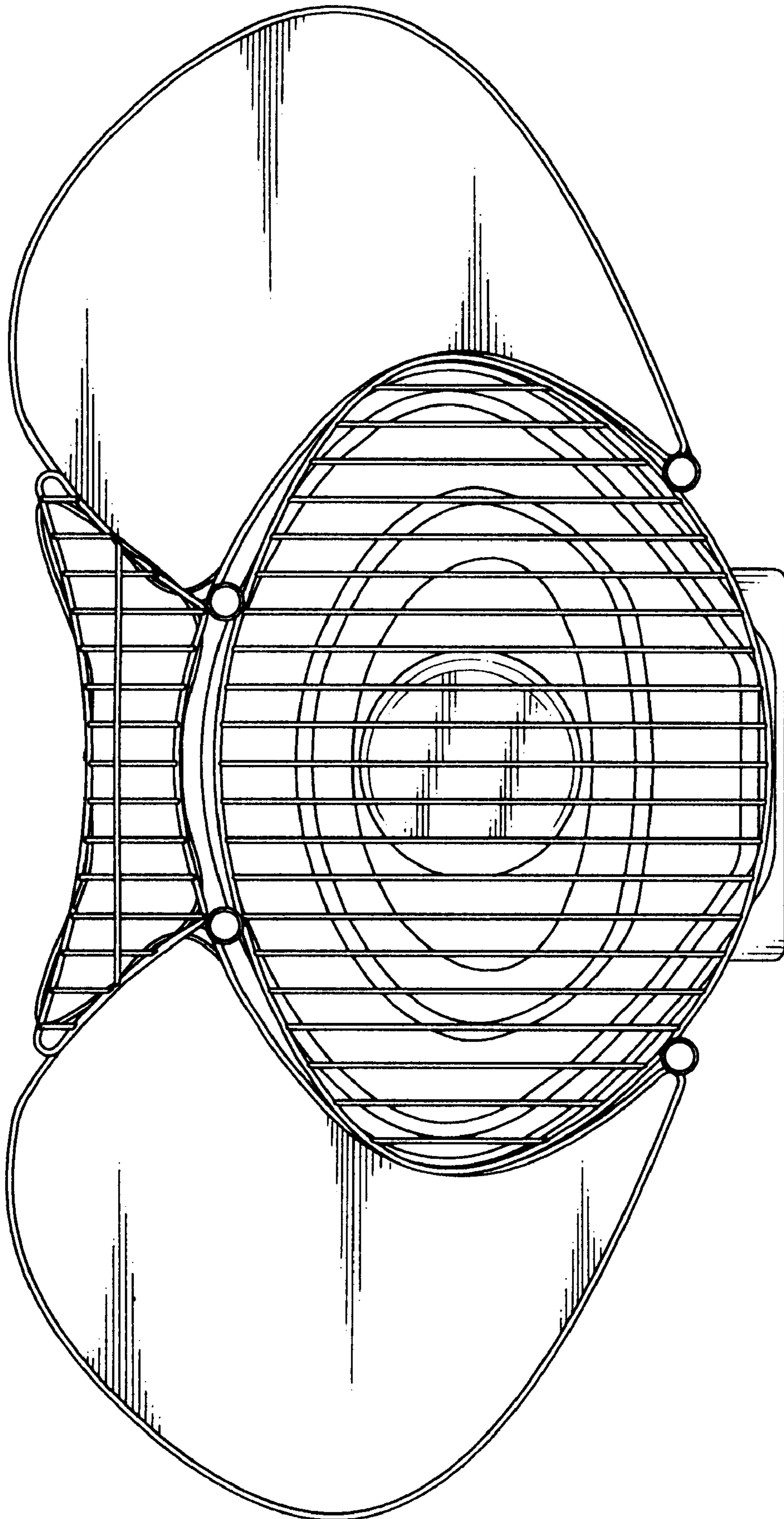


FIG. 7