



US00D476842S

(12) **United States Design Patent**  
**Cortese**

(10) **Patent No.:** **US D476,842 S**

(45) **Date of Patent:** **\*\* Jul. 8, 2003**

(54) **COFFEE MACHINE**

(75) Inventor: **Virginio Cortese, Turin (IT)**

(73) Assignee: **SGL Italia S.r.l., Strada San Mauro (IT)**

(\*\*) Term: **14 Years**

(21) Appl. No.: **29/148,640**

(22) Filed: **Sep. 24, 2001**

(30) **Foreign Application Priority Data**

Mar. 23, 2001 (IT) ..... TO200100085

(51) **LOC (7) Cl.** ..... **07-01**

(52) **U.S. Cl.** ..... **D7/309; D7/308; D7/311**

(58) **Field of Search** ..... D7/300, 301, 310,  
D7/311, 312, 313, 308, 307; 99/279, 295;  
222/486, 129.1-129.4

(56) **References Cited**

**U.S. PATENT DOCUMENTS**

- D304,408 S \* 11/1989 Beeren ..... D7/309
- D310,002 S \* 8/1990 Rossio et al. .... D7/308
- D313,724 S \* 1/1991 Pinon ..... D7/308
- D323,949 S \* 2/1992 Kahlcke ..... D7/309
- D324,795 S \* 3/1992 Hoover et al. .... D7/308

- D336,206 S \* 6/1993 Littmann ..... D7/309
- D389,693 S \* 1/1998 Hawkins, Jr. et al. .... D7/308
- D395,975 S \* 7/1998 Munoz ..... D7/308
- D417,580 S \* 12/1999 Fusi ..... D7/309
- D431,409 S \* 10/2000 Man ..... D7/309
- D431,750 S \* 10/2000 Cahen ..... D7/309
- D439,788 S \* 4/2001 Bettini ..... D7/309
- D449,198 S \* 10/2001 Cahen ..... D7/309

\* cited by examiner

*Primary Examiner*—M. N. Pandozzi

(74) *Attorney, Agent, or Firm*—Ladas & Parry

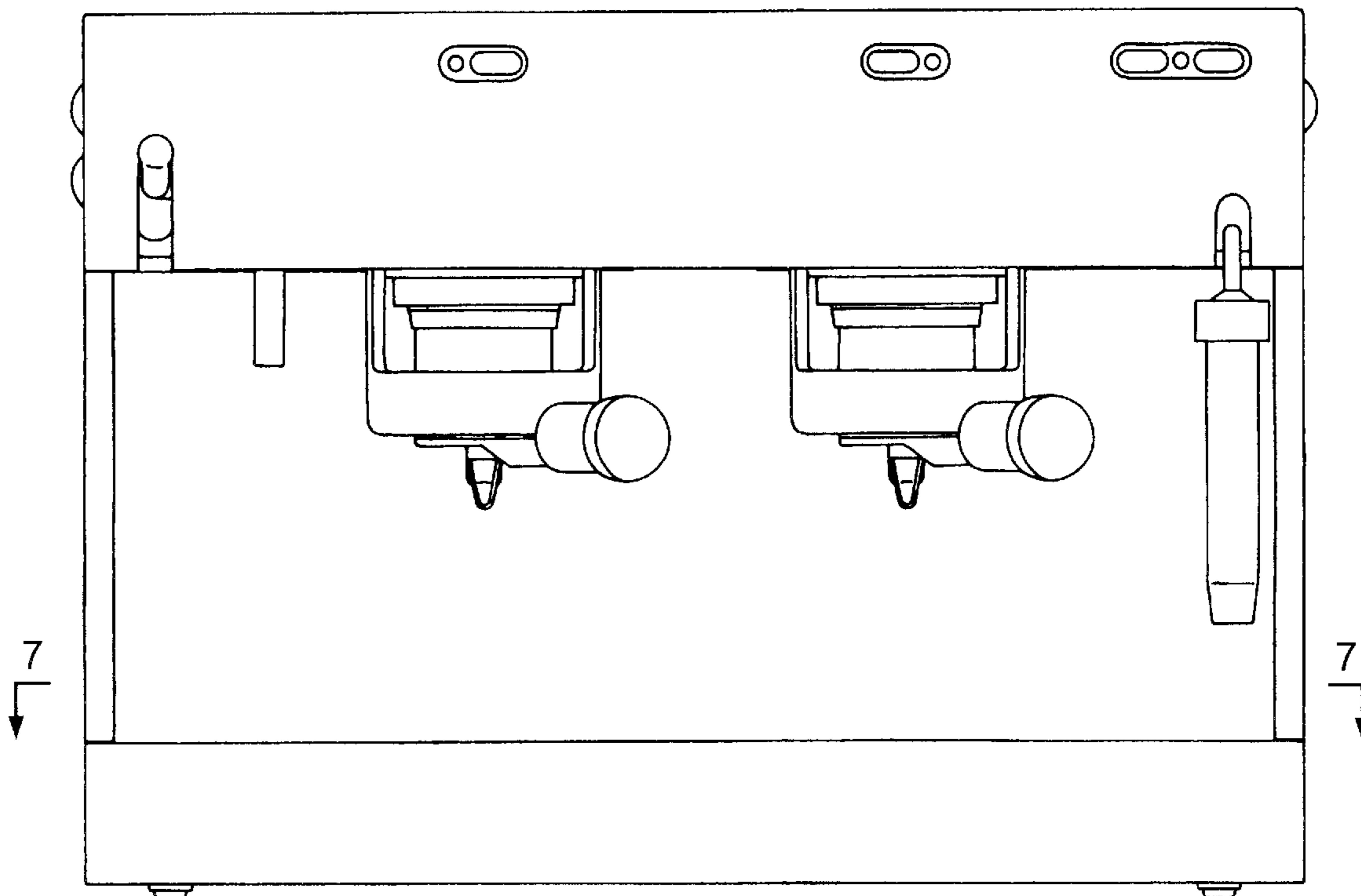
(57) **CLAIM**

The ornamental design for a coffee machine, substantially as shown and described.

**DESCRIPTION**

FIG. 1 is a front elevational view of my new design relating to a coffee machine;  
 FIG. 2 is a right side lateral view thereof;  
 FIG. 3 is a left side lateral view thereof;  
 FIG. 4 is a rear elevational view thereof.  
 FIG. 5 is a top view thereof;  
 FIG. 6 is a bottom view thereof; and,  
 FIG. 7 is a sectional view thereof, taken along line 7—7 of FIG. 1.

**1 Claim, 4 Drawing Sheets**



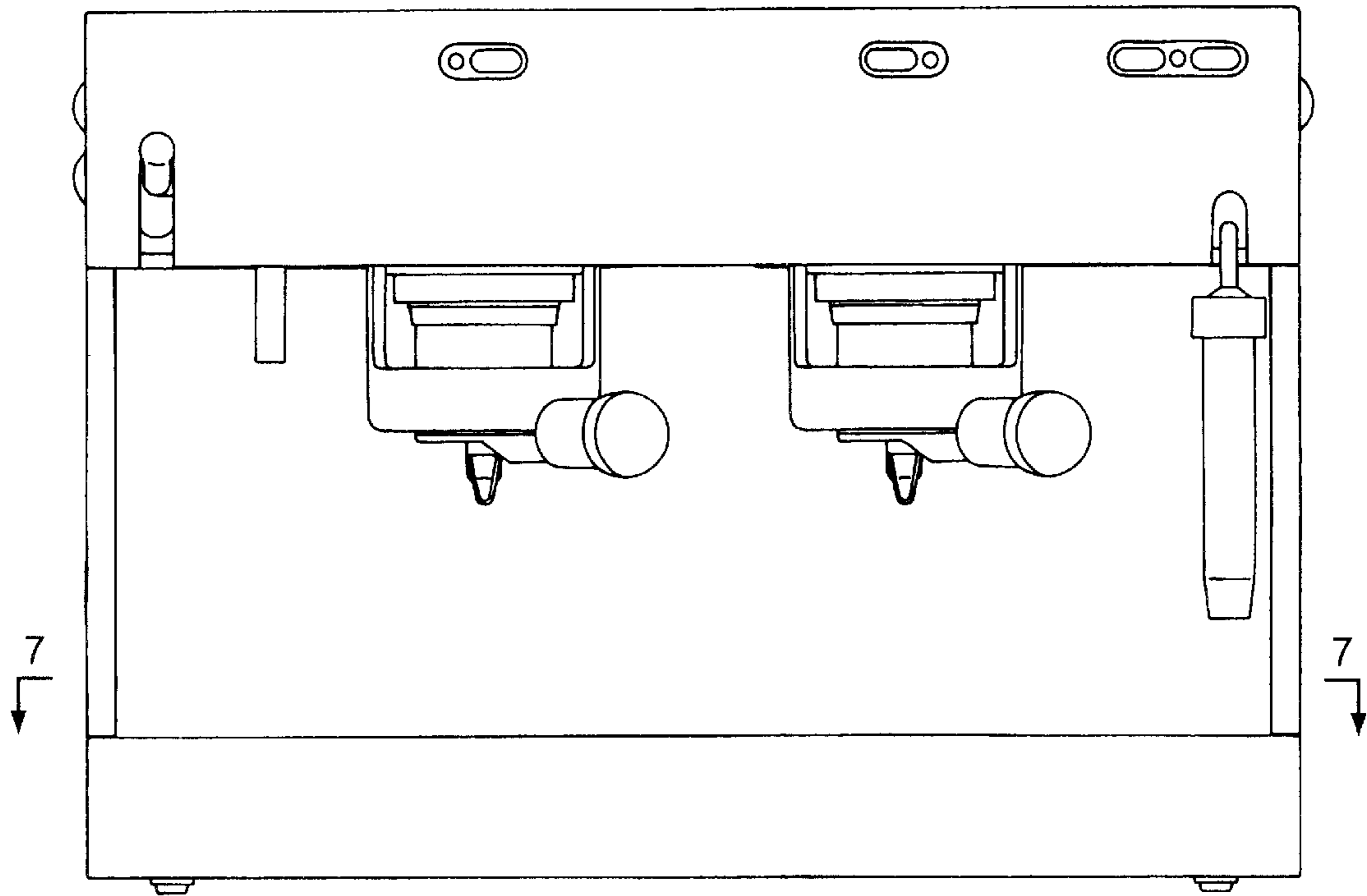


Fig.1

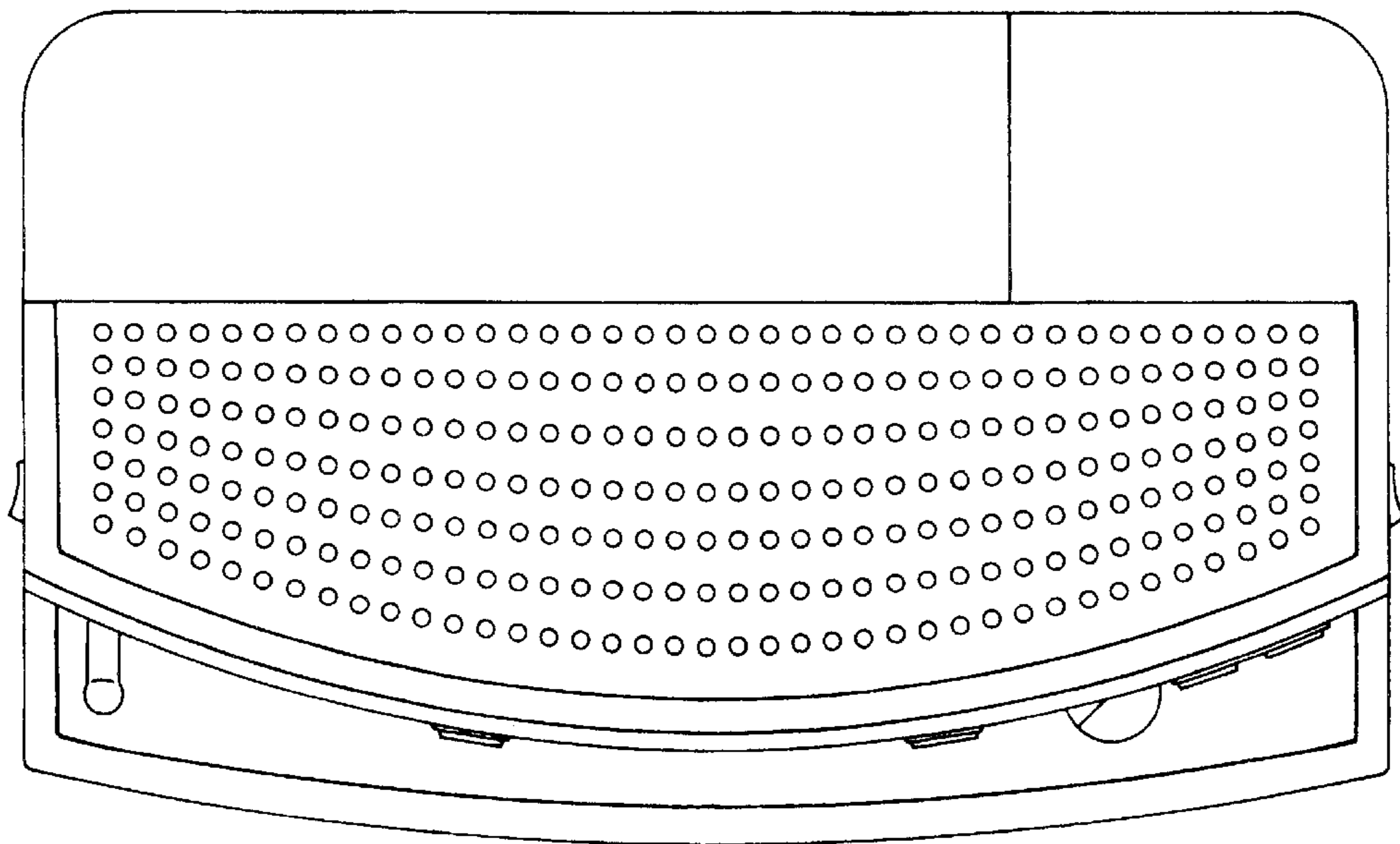


Fig.5

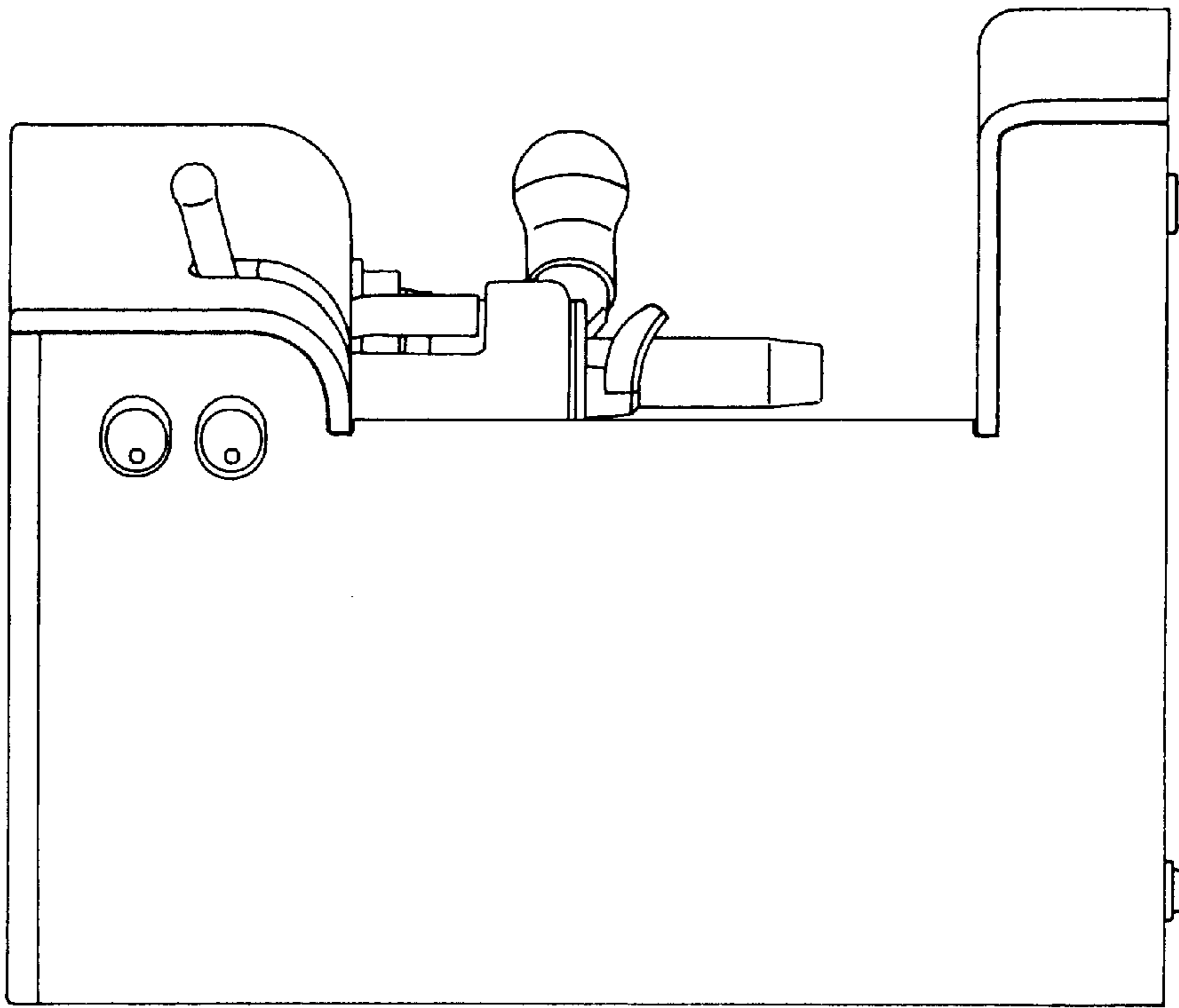


Fig.3

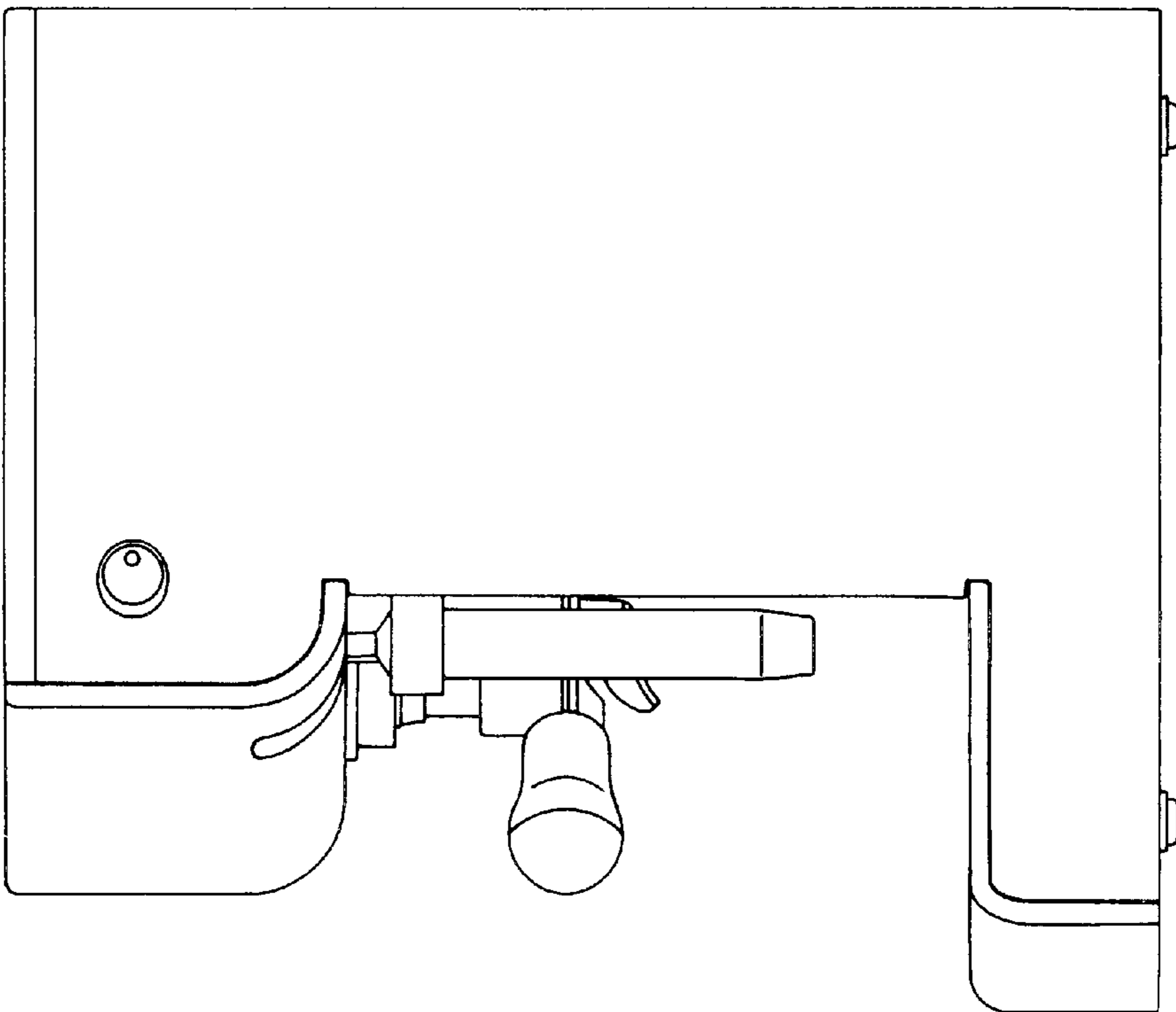


Fig.2

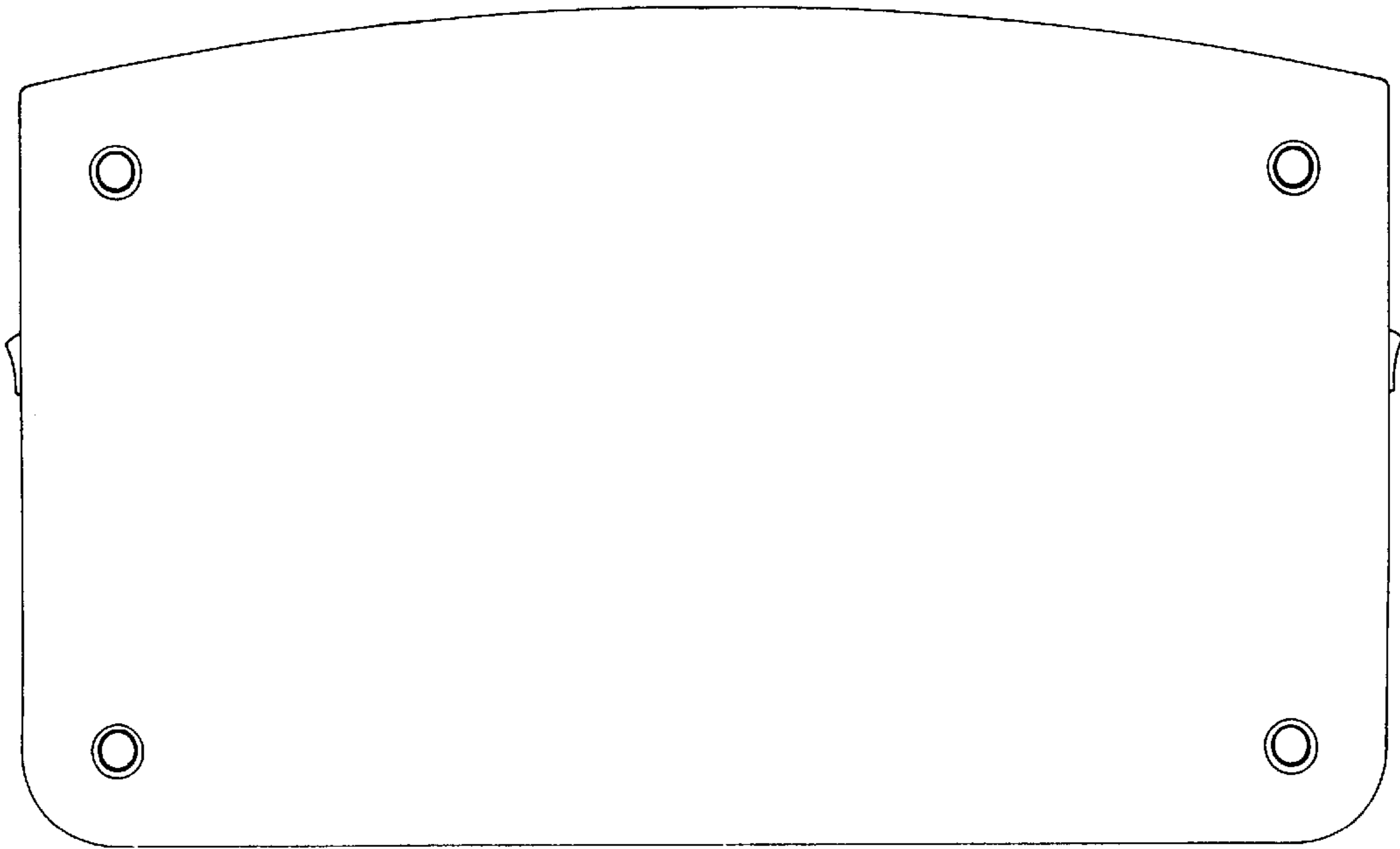


Fig.6

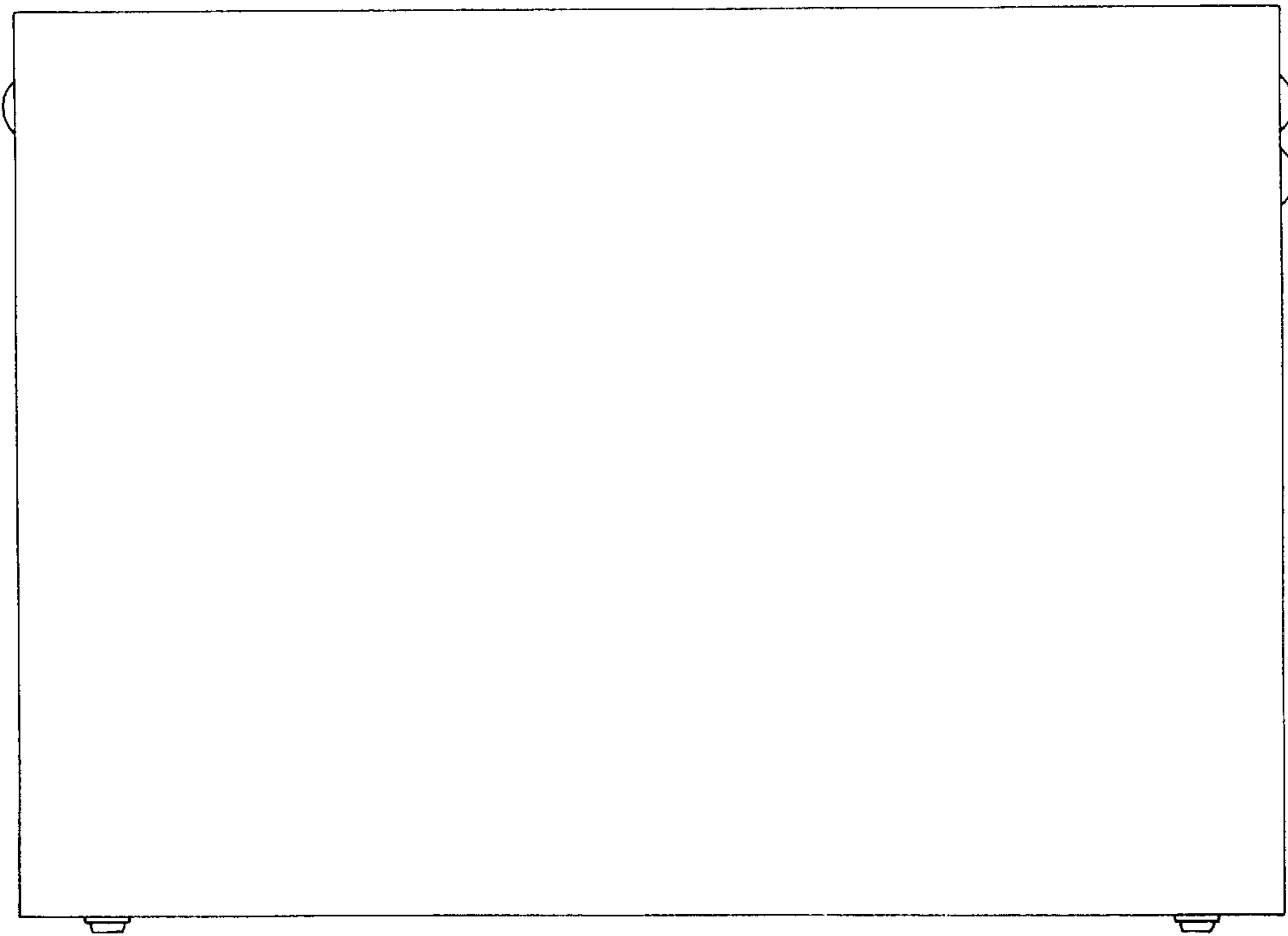


Fig.4

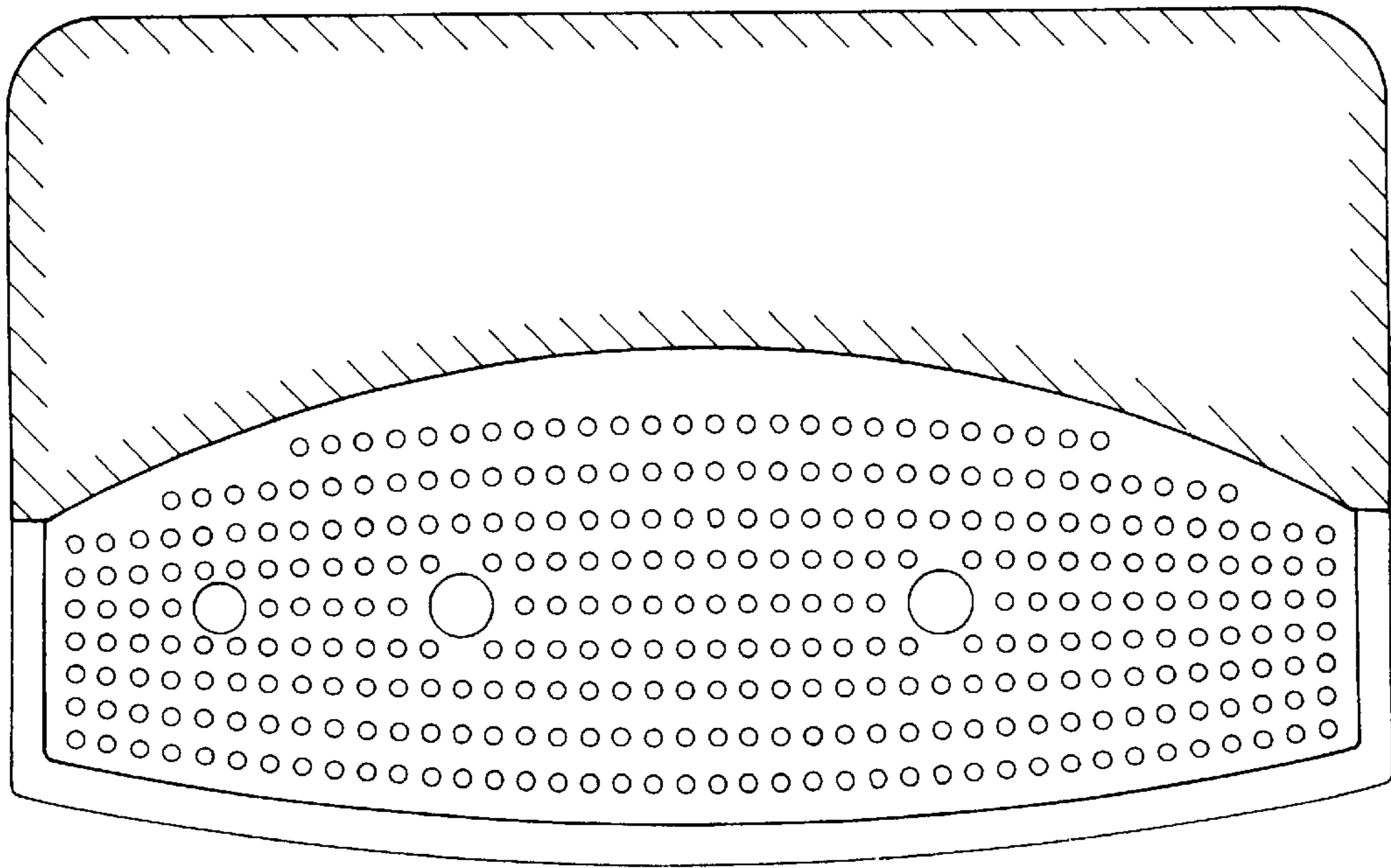


Fig.7