



US00D476841S

(12) **United States Design Patent**
Hoernig

(10) **Patent No.:** **US D476,841 S**

(45) **Date of Patent:** **** Jul. 8, 2003**

(54) **SHELF**

(75) **Inventor:** **Victor Hoernig**, Lowell, IN (US)

(73) **Assignee:** **Bath Unlimited, Inc.**, Fort Mill, SC (US)

(**) **Term:** **14 Years**

(21) **Appl. No.:** **29/166,099**

(22) **Filed:** **Aug. 21, 2002**

(51) **LOC (7) Cl.** **06-04**

(52) **U.S. Cl.** **D6/574**

(58) **Field of Search** D6/553, 567, 572, D6/574; 108/28-29; 248/235, 309.1; 211/13.1, 42, 71.01, 86.01, 88.01, 88.03, 90.01, 90.03, 126.1, 133.5, 133.6, 134, 153, 182

(56) **References Cited**

U.S. PATENT DOCUMENTS

- 4,376,521 A * 3/1983 Walters 211/90.01 X
- D299,400 S * 1/1989 Fayerman et al. D6/572
- 4,898,355 A * 2/1990 Steinway 248/235

D358,733 S * 5/1995 Paul D6/574

D373,699 S * 9/1996 Moon D6/574

D450,514 S * 11/2001 Gottwald D6/574

D458,071 S * 6/2002 Hoernig D6/574

D458,072 S * 6/2002 Hoernig D6/574

* cited by examiner

Primary Examiner—Brian N. Vinson

(74) *Attorney, Agent, or Firm*—Edgar A. Zarins; Lloyd D. Doigan

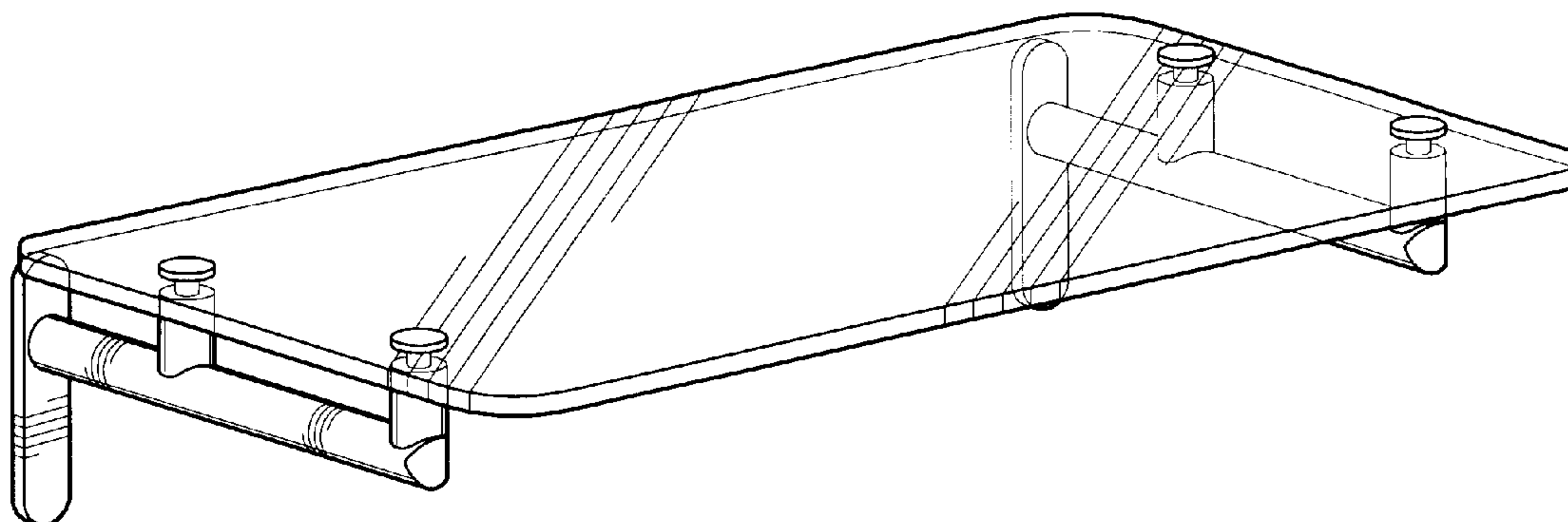
(57) **CLAIM**

The ornamental design for a shelf, as shown and described.

DESCRIPTION

FIG. 1 is a perspective view of a shelf showing my new design;
 FIG. 2 is a top plan view thereof;
 FIG. 3 is a front elevational view thereof;
 FIG. 4 is a rear view thereof;
 FIG. 5 is a bottom view thereof; and,
 FIG. 6 is a left end view thereof, the opposite end being a mirror image of the end shown.

1 Claim, 2 Drawing Sheets



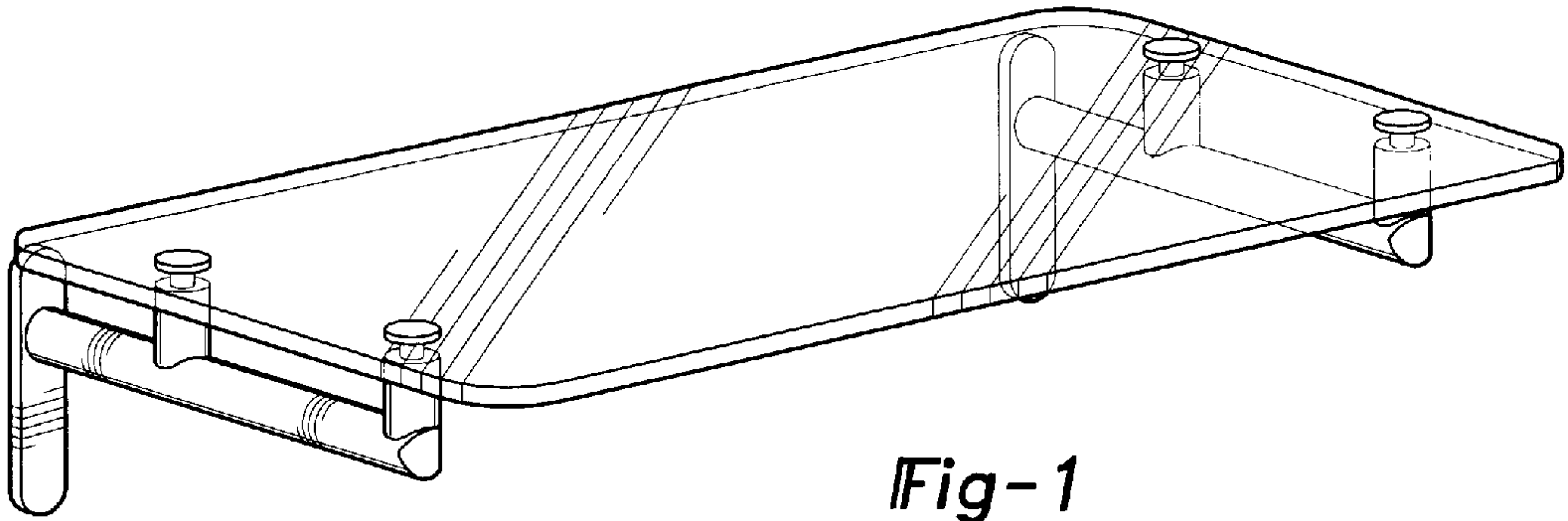


Fig-1

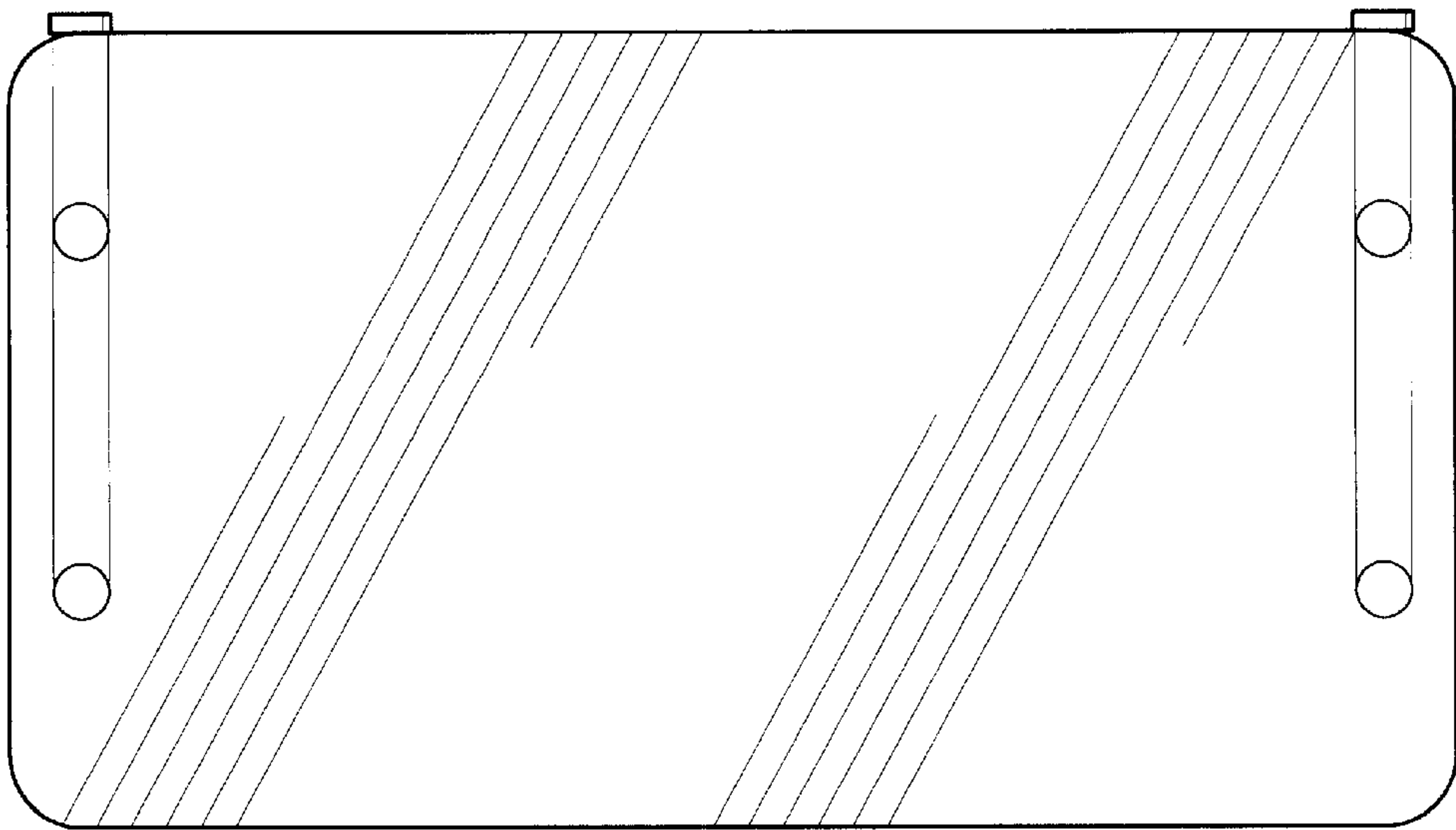


Fig-2

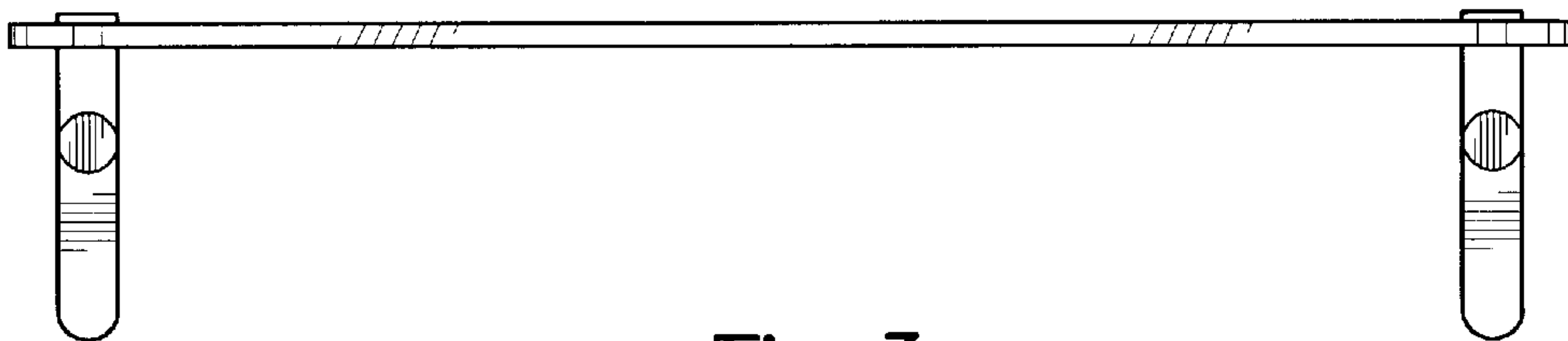


Fig-3

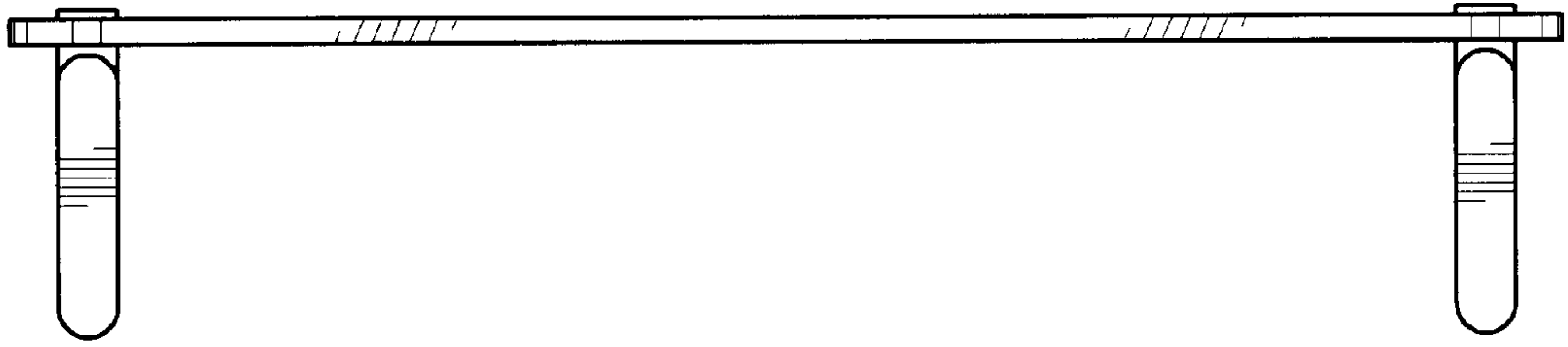


Fig-4

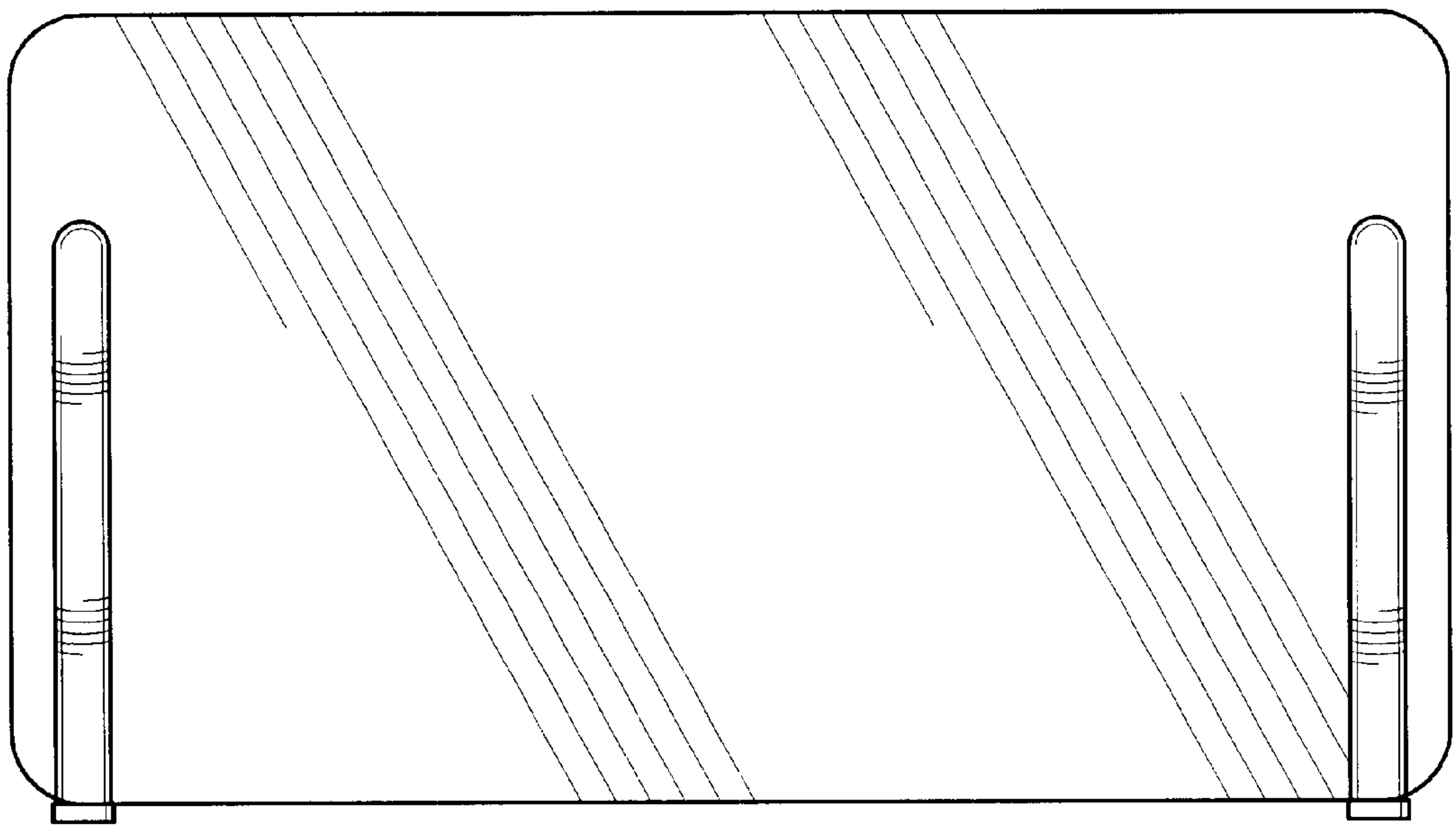


Fig-5

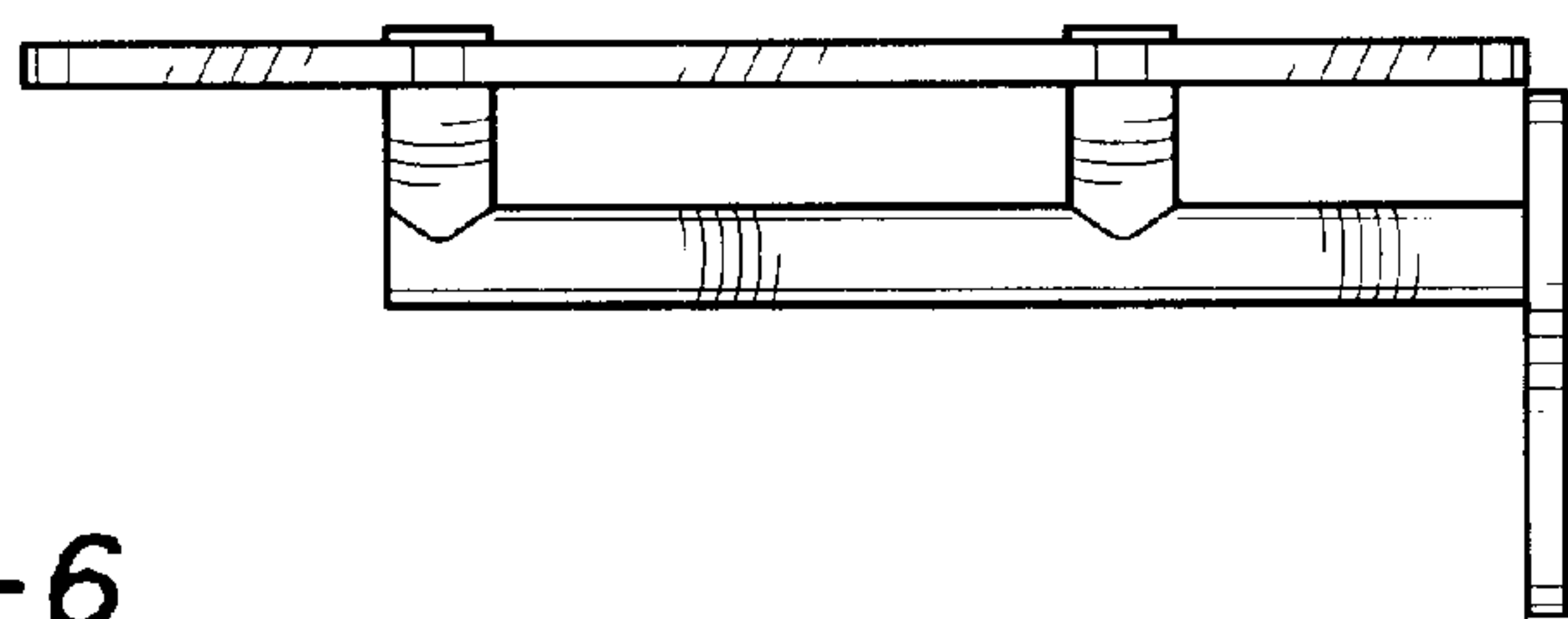


Fig-6