



US00D476838S

(12) **United States Design Patent**  
**Hoernig**

(10) **Patent No.:** **US D476,838 S**

(45) **Date of Patent:** **\*\* Jul. 8, 2003**

(54) **SHELF WITH TOWEL BAR**

(75) Inventor: **Victor Hoernig**, Lowell, IN (US)

(73) Assignee: **Bath Unlimited, Inc.**, Fort Mill, SC (US)

(\*\*) Term: **14 Years**

(21) Appl. No.: **29/166,060**

(22) Filed: **Aug. 21, 2002**

(51) **LOC (7) Cl.** ..... **23-02**

(52) **U.S. Cl.** ..... **D6/527; D6/574; D6/549**

(58) **Field of Search** ..... D6/546-50, 518-19, D6/522-24; D8/300, 303, 315-21, 354, 363, 373, 380; 108/28-29; 211/13.1, 16, 60.1, 86.01, 87.01, 88.01, 88.04, 100, 105.1-105.2, 119.003, 123, 126.1, 133.6, 134, 181.1, 182; 248/175, 176.1, 200, 214, 251, 302, 309.1; 16/110.1, 412, 415; 242/570, 590, 595-598; 206/389, 557

(56) **References Cited**

**U.S. PATENT DOCUMENTS**

1,090,724 A \* 3/1914 Koehler ..... 211/87.01  
D146,280 S \* 1/1947 Goddard ..... D6/574

3,990,582 A \* 11/1976 Schindel ..... 211/105.1  
4,154,420 A \* 5/1979 Mazie et al. .... 248/251  
D253,503 S \* 11/1979 Albert ..... D6/527  
D299,400 S \* 1/1989 Fayerman et al. .... D6/572  
D358,733 S \* 5/1995 Paul ..... D6/574  
6,227,506 B1 \* 5/2001 Benedict ..... 211/90.01 X

\* cited by examiner

*Primary Examiner*—Brian N. Vinson

(74) *Attorney, Agent, or Firm*—Edgar A. Zarins; Lloyd D. Doigan

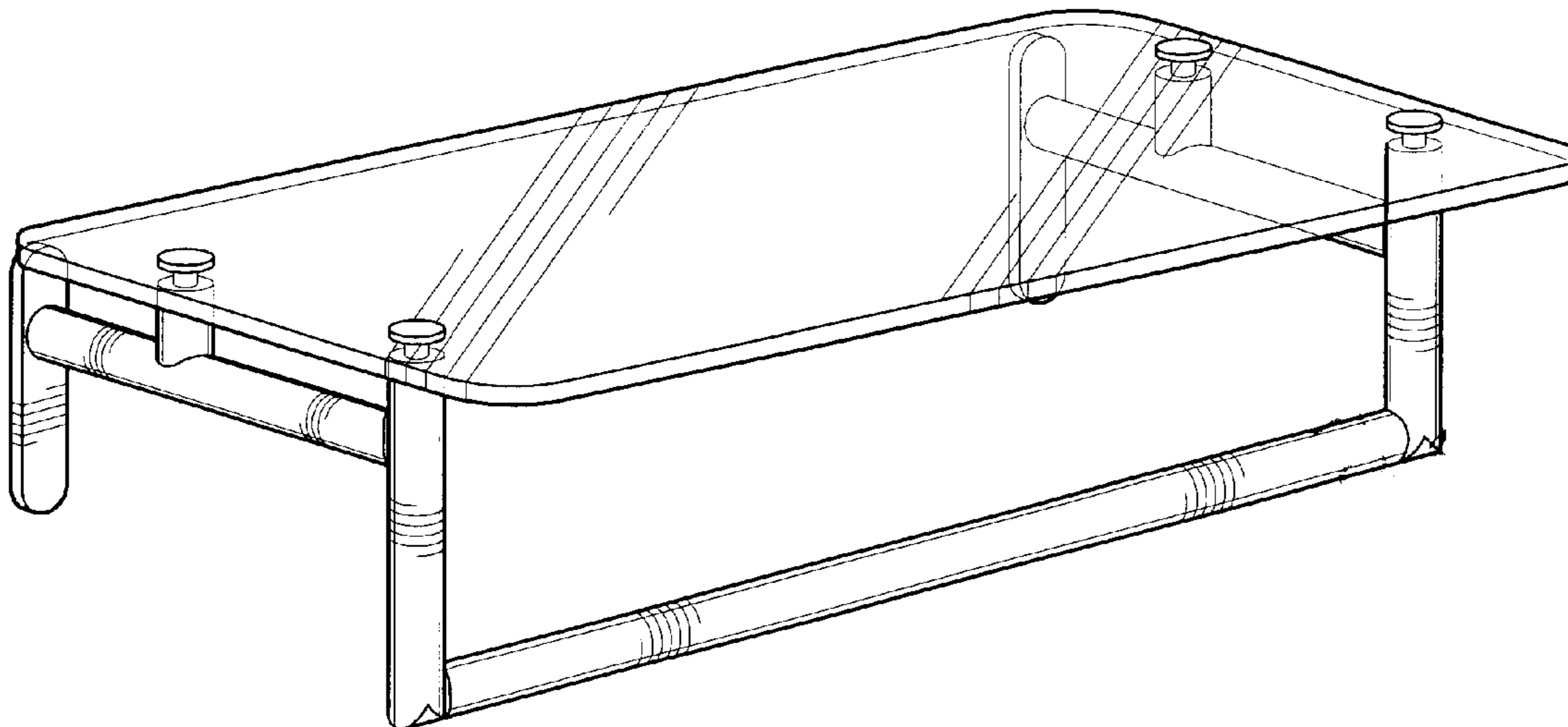
(57) **CLAIM**

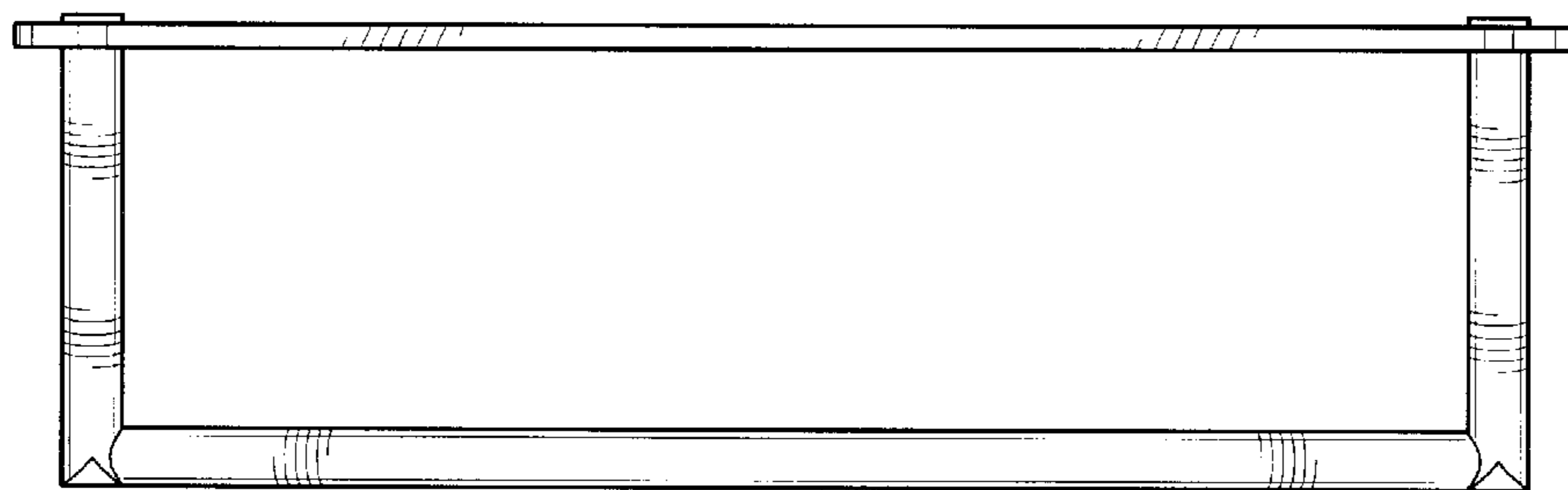
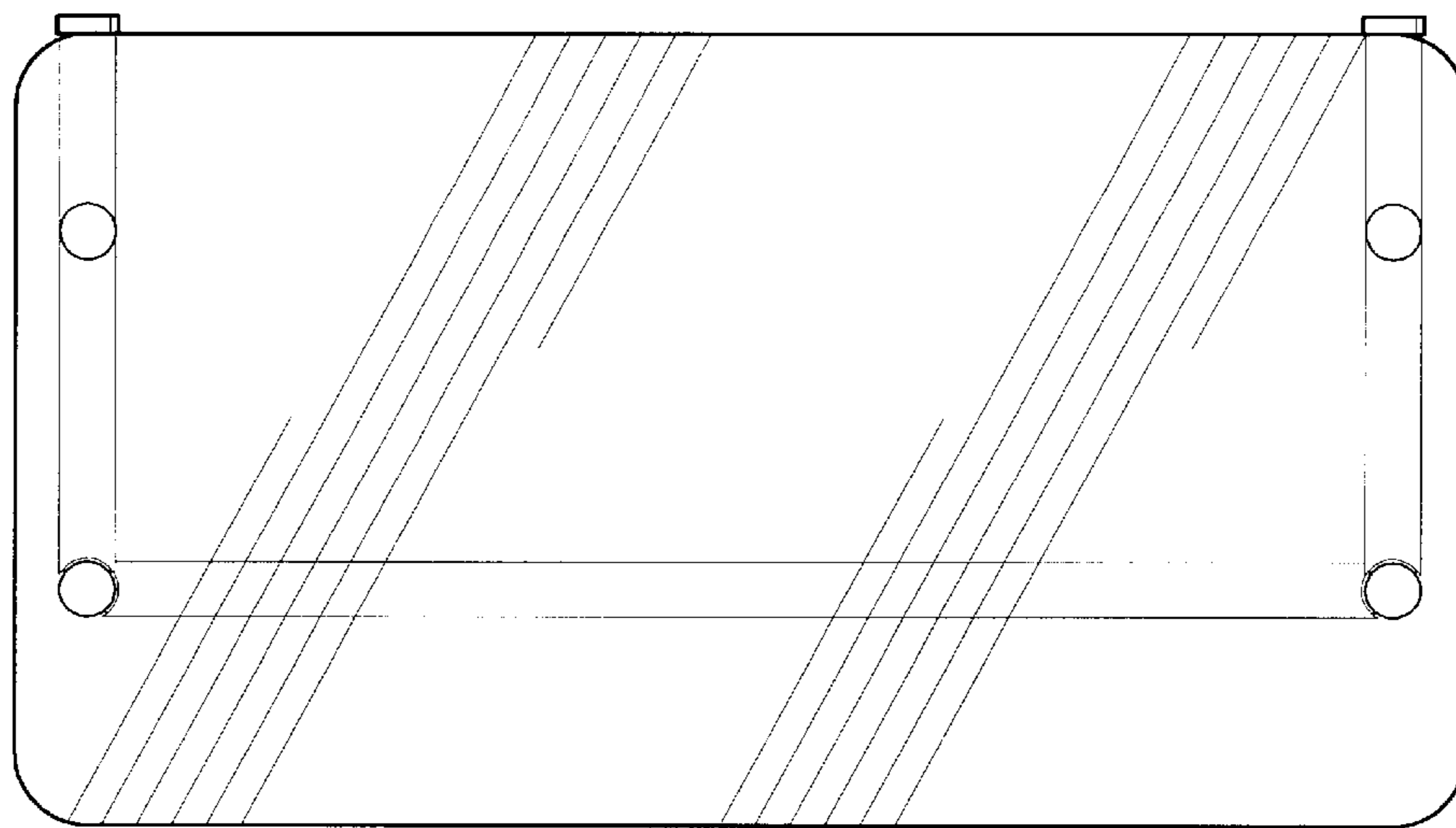
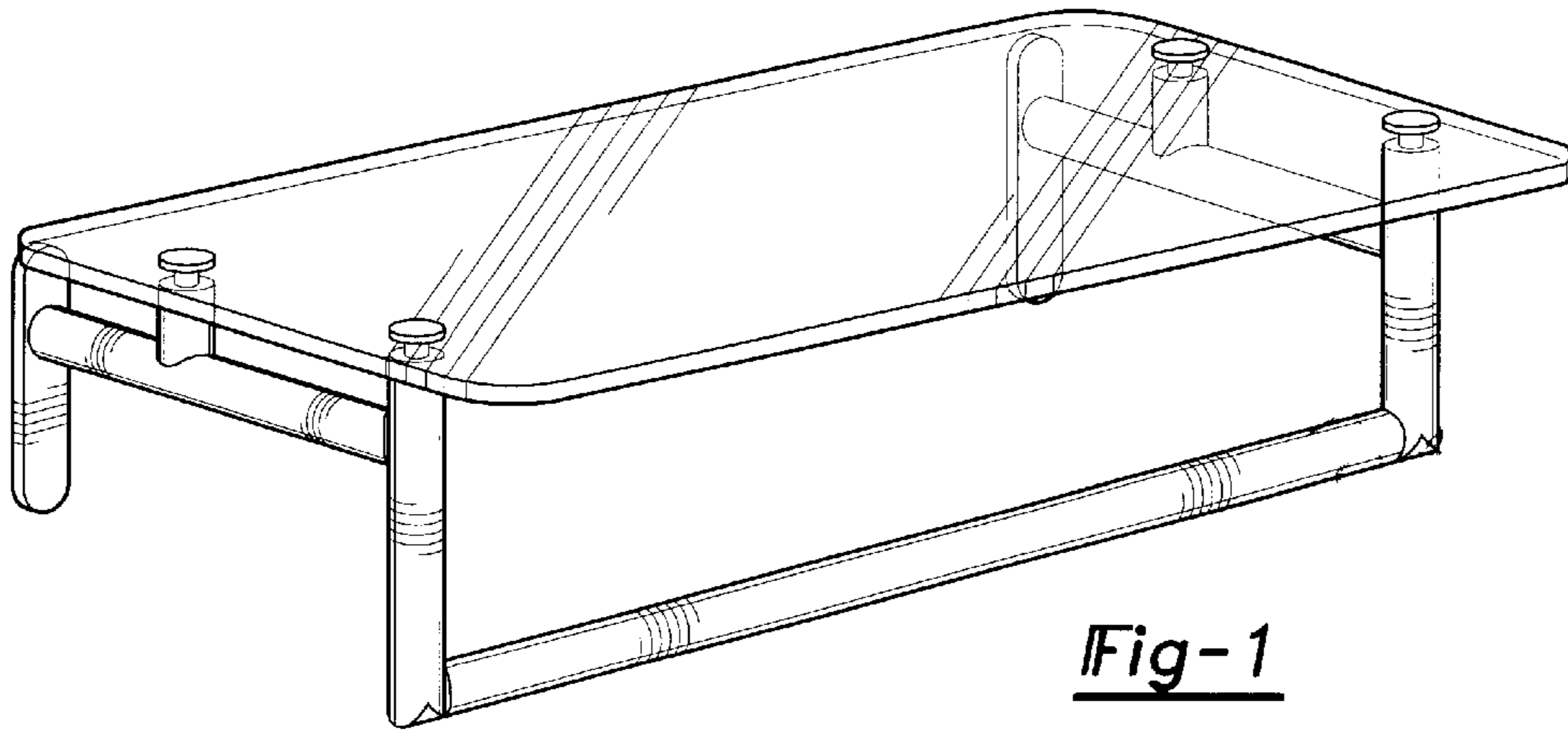
The ornamental design for a shelf with towel bar, as shown and described.

**DESCRIPTION**

FIG. 1 is a perspective view of a shelf with towel bar showing my new design;  
FIG. 2 is a top plan view thereof;  
FIG. 3 is a front elevational view thereof;  
FIG. 4 is a rear view thereof;  
FIG. 5 is a bottom view thereof; and,  
FIG. 6 is a left end view thereof, the opposite end being a mirror image of the end shown.

**1 Claim, 2 Drawing Sheets**





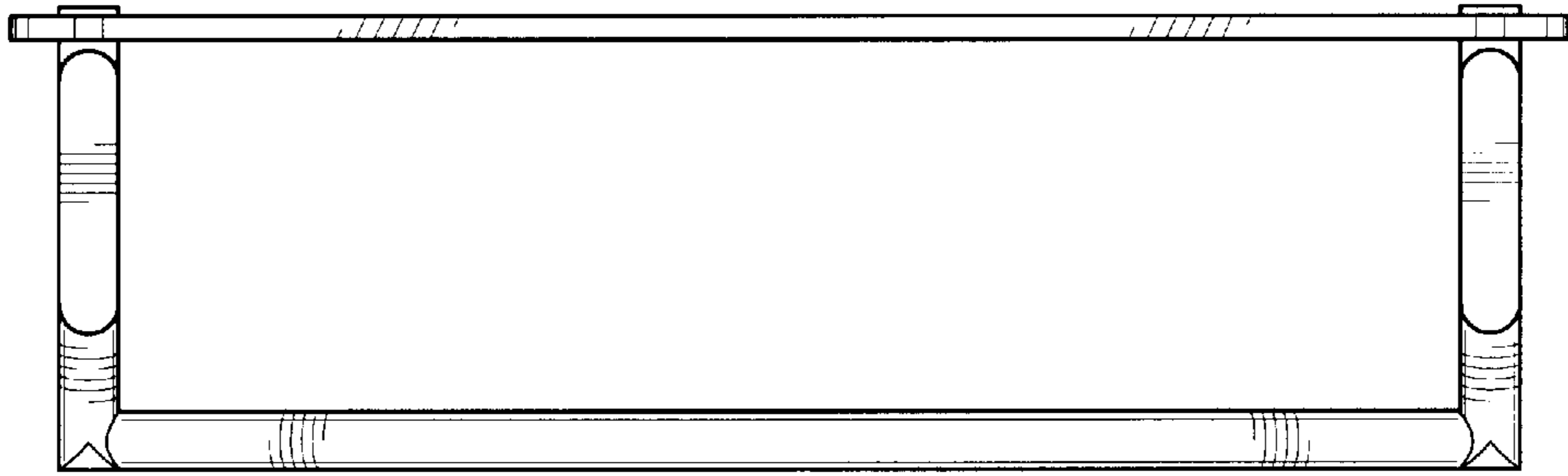


Fig-4

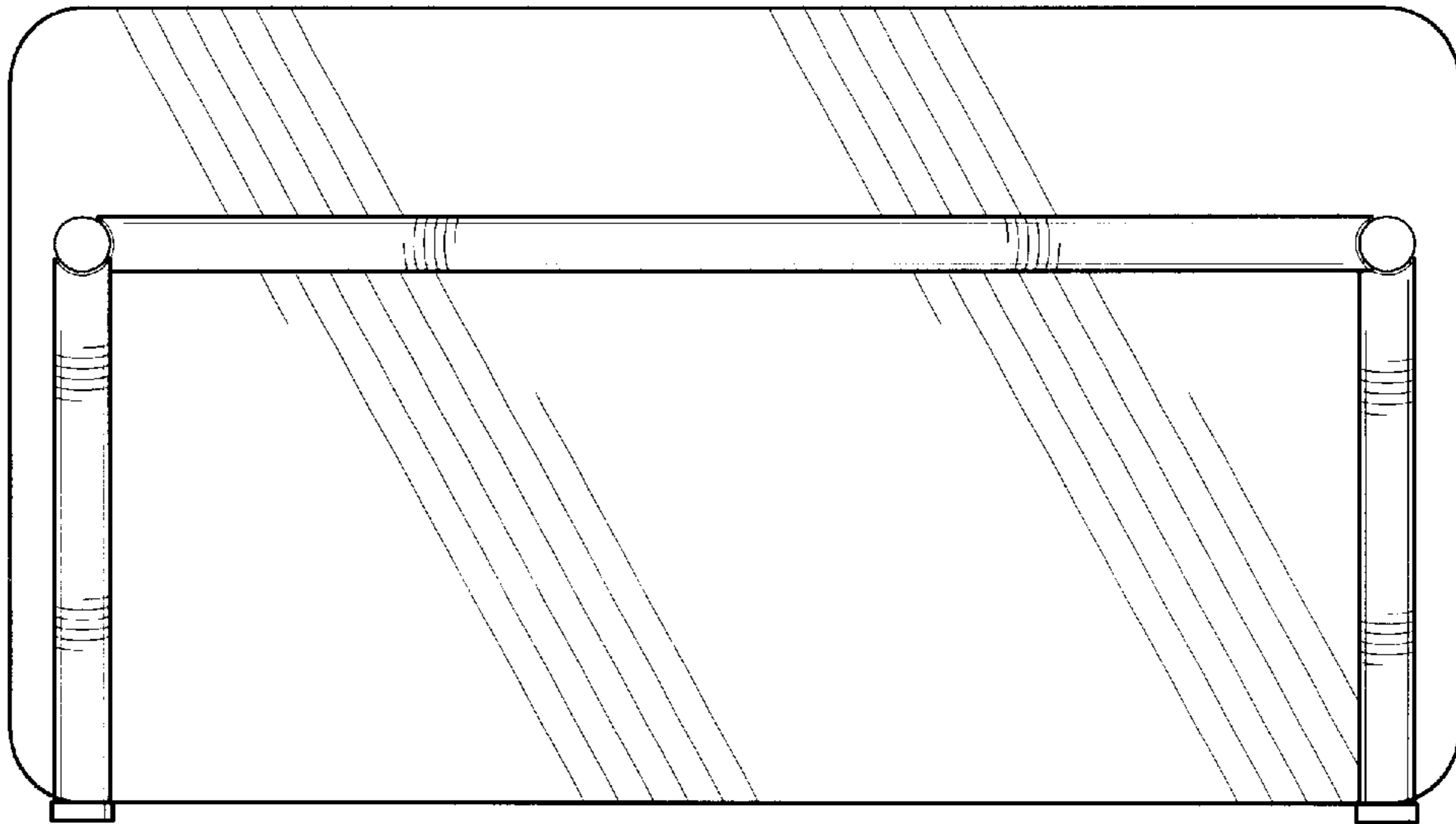


Fig-5

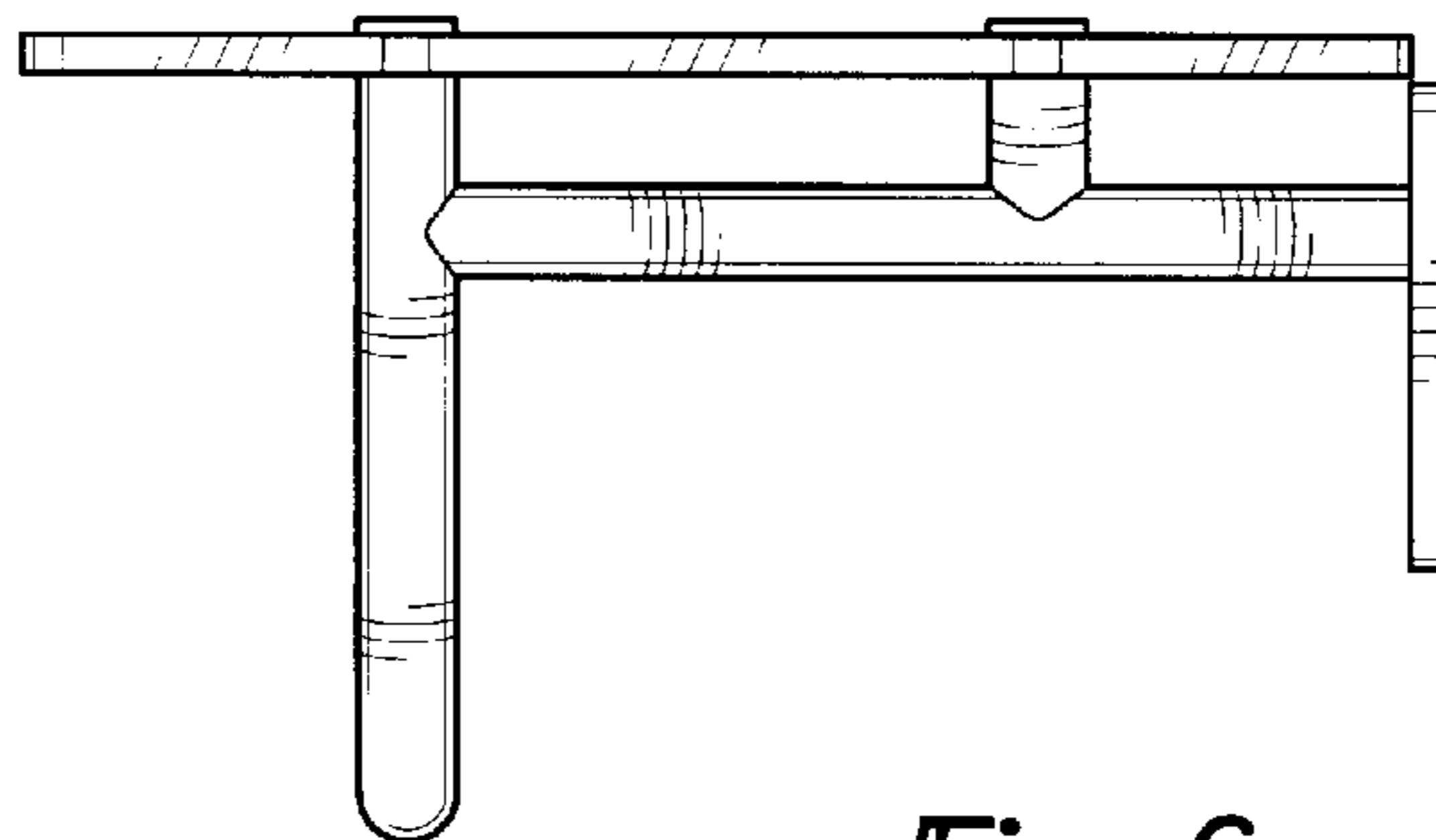


Fig-6