



US00D476835S

(12) **United States Design Patent**  
**Lai**

(10) **Patent No.:** **US D476,835 S**

(45) **Date of Patent:** **\*\* Jul. 8, 2003**

(54) **TOWEL RACK**

(76) Inventor: **Ming-Hsiao Lai**, No. 8, Kung Chi 2 Lane, Ta Tsuen Hsiang, Chang-Hua Hsien (TW)

(\*\*) Term: **14 Years**

(21) Appl. No.: **29/164,890**

(22) Filed: **Aug. 2, 2002**

(51) **LOC (7) Cl.** ..... **23-02**

(52) **U.S. Cl.** ..... **D6/523**

(58) **Field of Search** ..... D6/546-50, 518-19, D6/522-24; D8/300, 303, 307, 315-21, 354, 363, 373, 380; 108/28-29; 211/13.1, 16, 60.1, 86.01, 87.01, 88.01, 88.04, 100, 105.1-105.2, 119.003, 123, 126.1, 133.6, 134, 181.1, 182; 248/175, 176.1, 200, 214, 251, 302, 309.1; 16/110.1, 412, 415; 242/570, 590, 595-598; 206/389, 557

(56) **References Cited**

**U.S. PATENT DOCUMENTS**

D171,604 S \* 3/1954 Larson ..... D6/523

D313,716 S \* 1/1991 Jacques ..... D6/523  
D346,294 S \* 4/1994 Wilson et al. .... D6/546  
D346,295 S \* 4/1994 Wilson et al. .... D6/546  
D461,669 S \* 8/2002 Cheng ..... D6/523 X

\* cited by examiner

*Primary Examiner*—Brian N. Vinson

(74) *Attorney, Agent, or Firm*—Harrison & Egbert

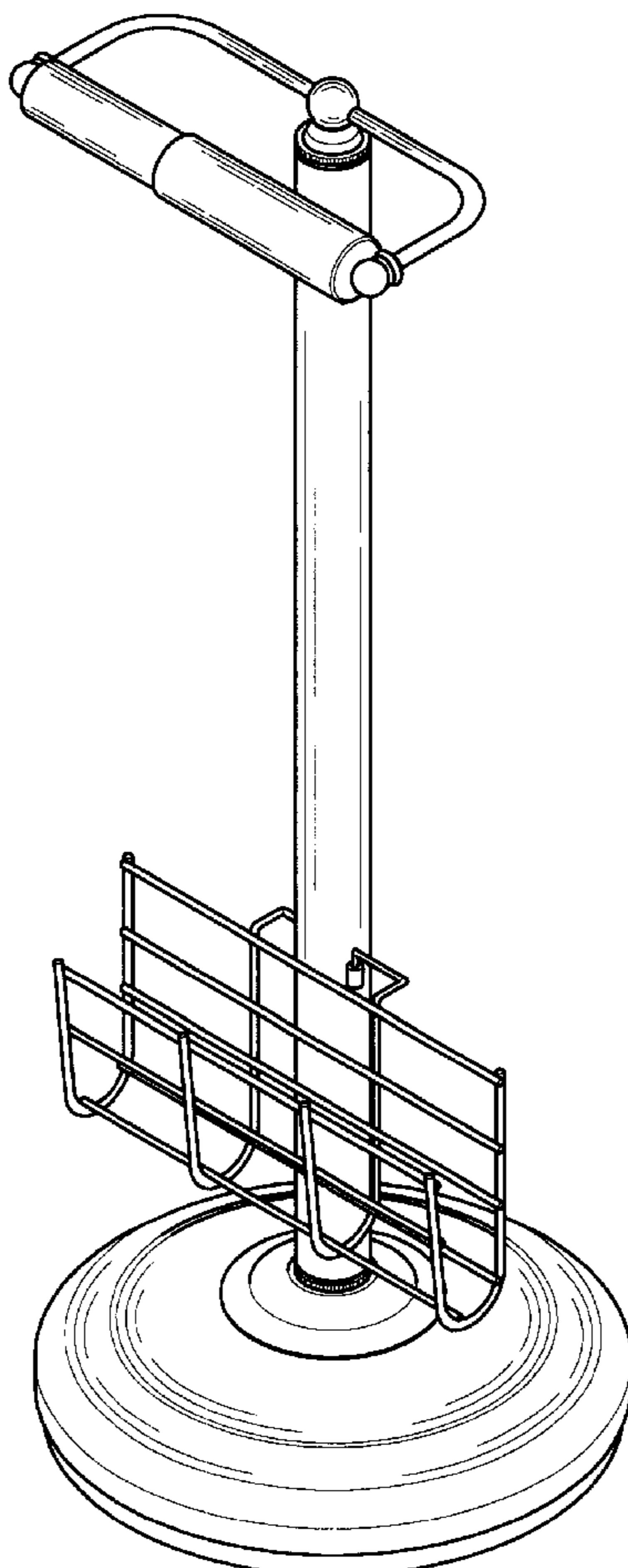
(57) **CLAIM**

I claim the ornamental design for a towel rack, as shown and described.

**DESCRIPTION**

FIG. 1 is an upper perspective view of the towel rack showing my design.  
FIG. 2 is a front view thereof;  
FIG. 3 is a back view thereof;  
FIG. 4 is a side view thereof;  
FIG. 5 is an opposite side view thereof;  
FIG. 6 is a top view thereof; and,  
FIG. 7 is a bottom view thereof.

**1 Claim, 4 Drawing Sheets**



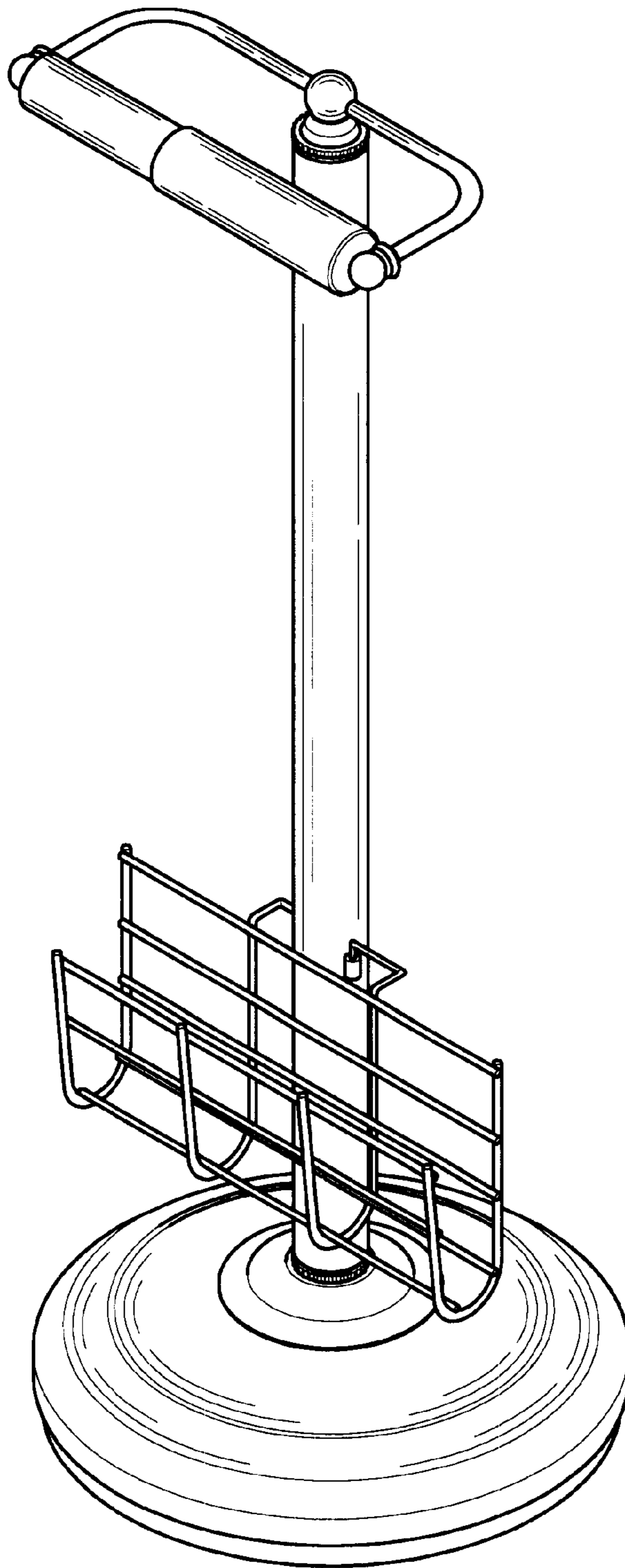


FIG.1

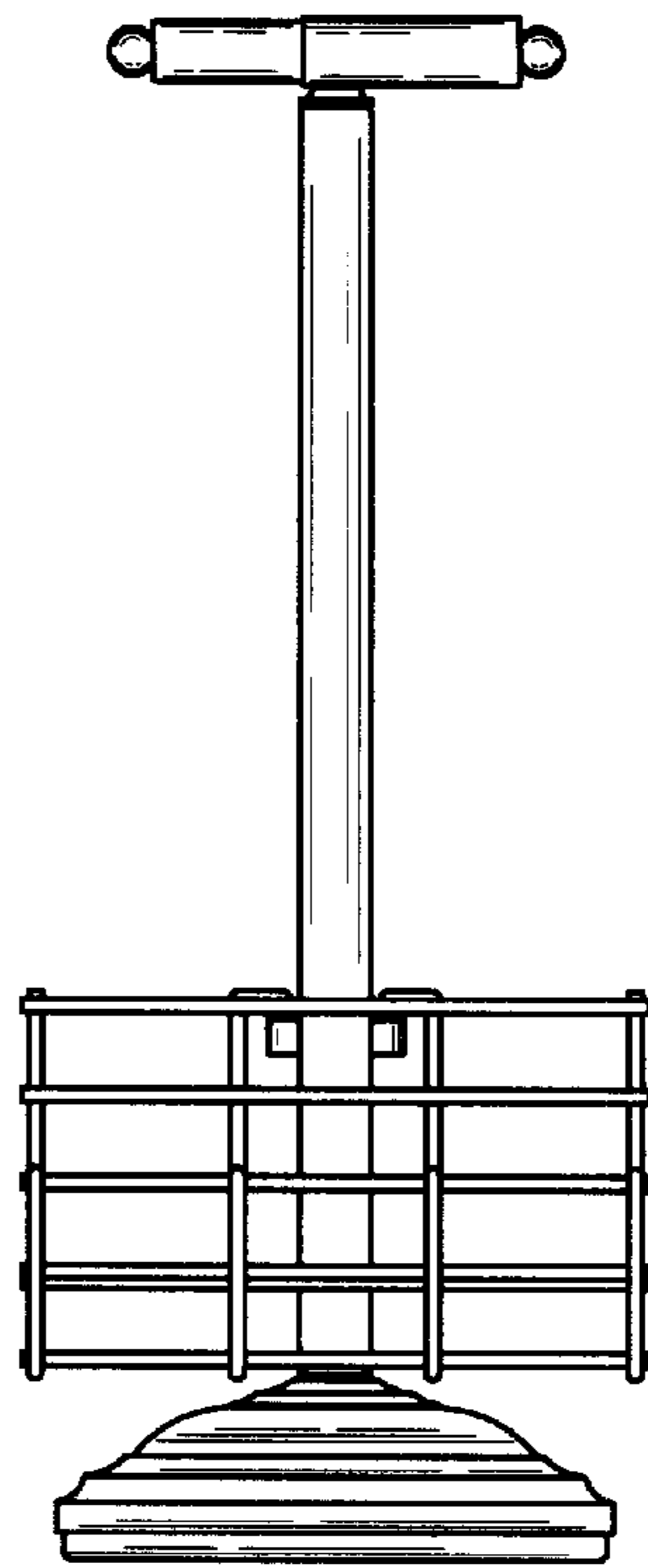


FIG. 2

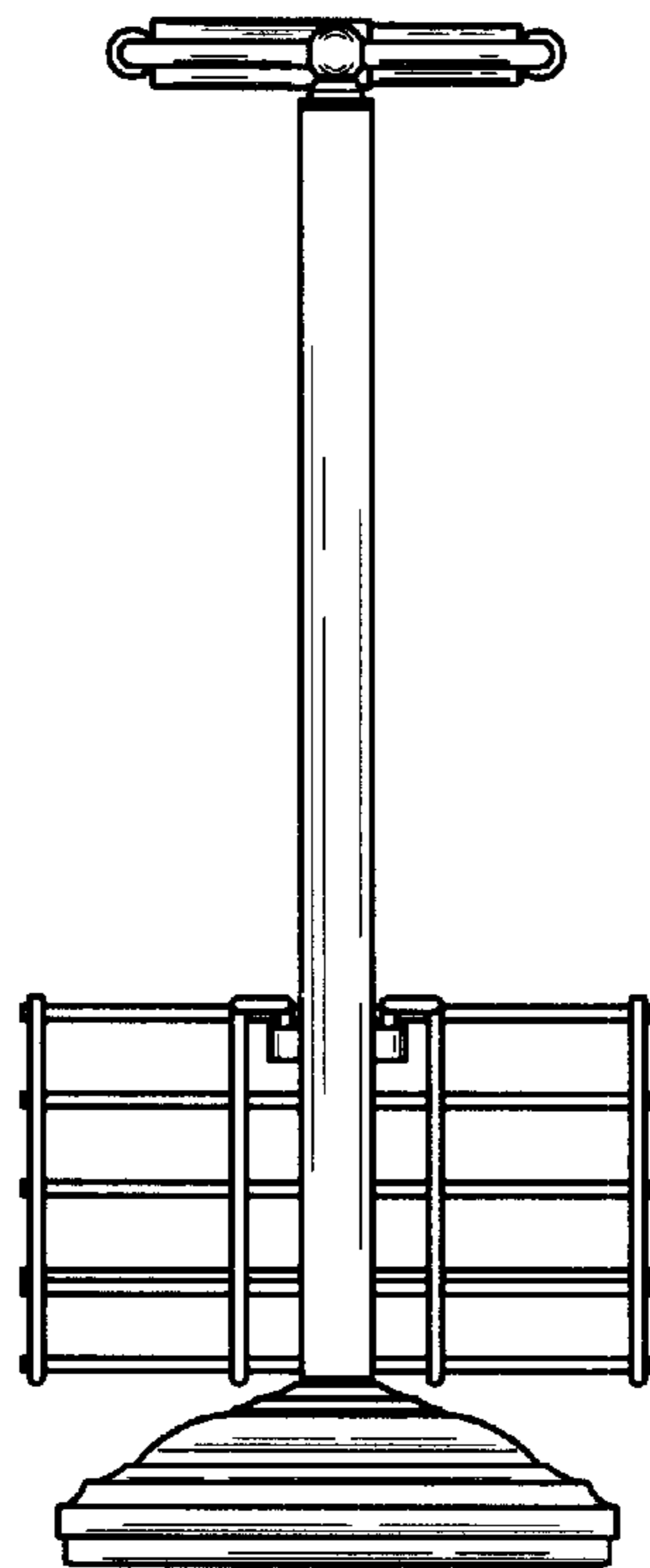


FIG. 3

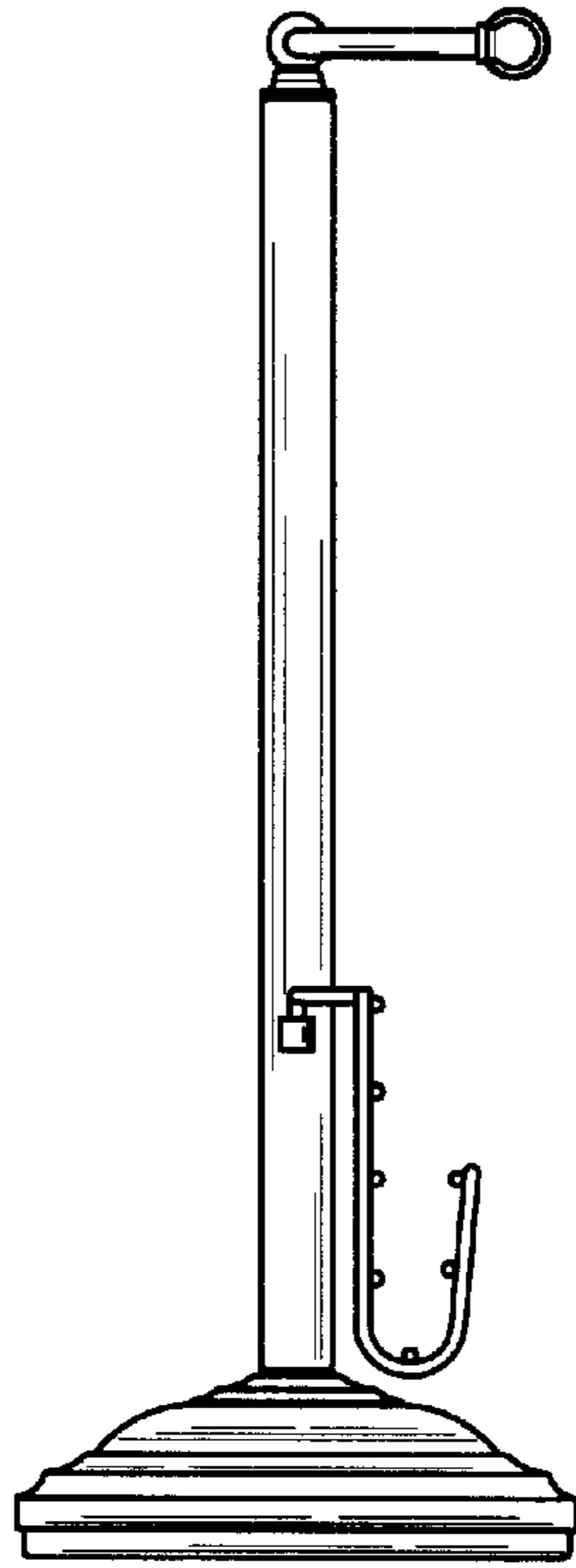


FIG. 4

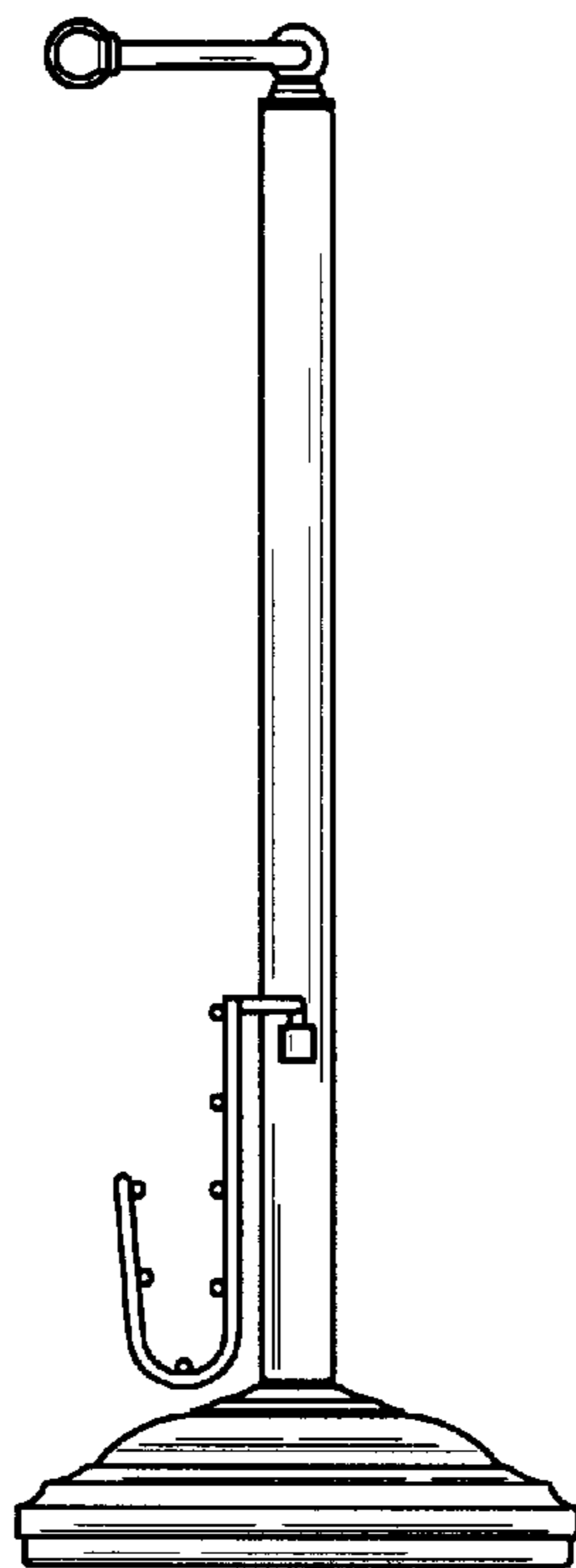


FIG. 5

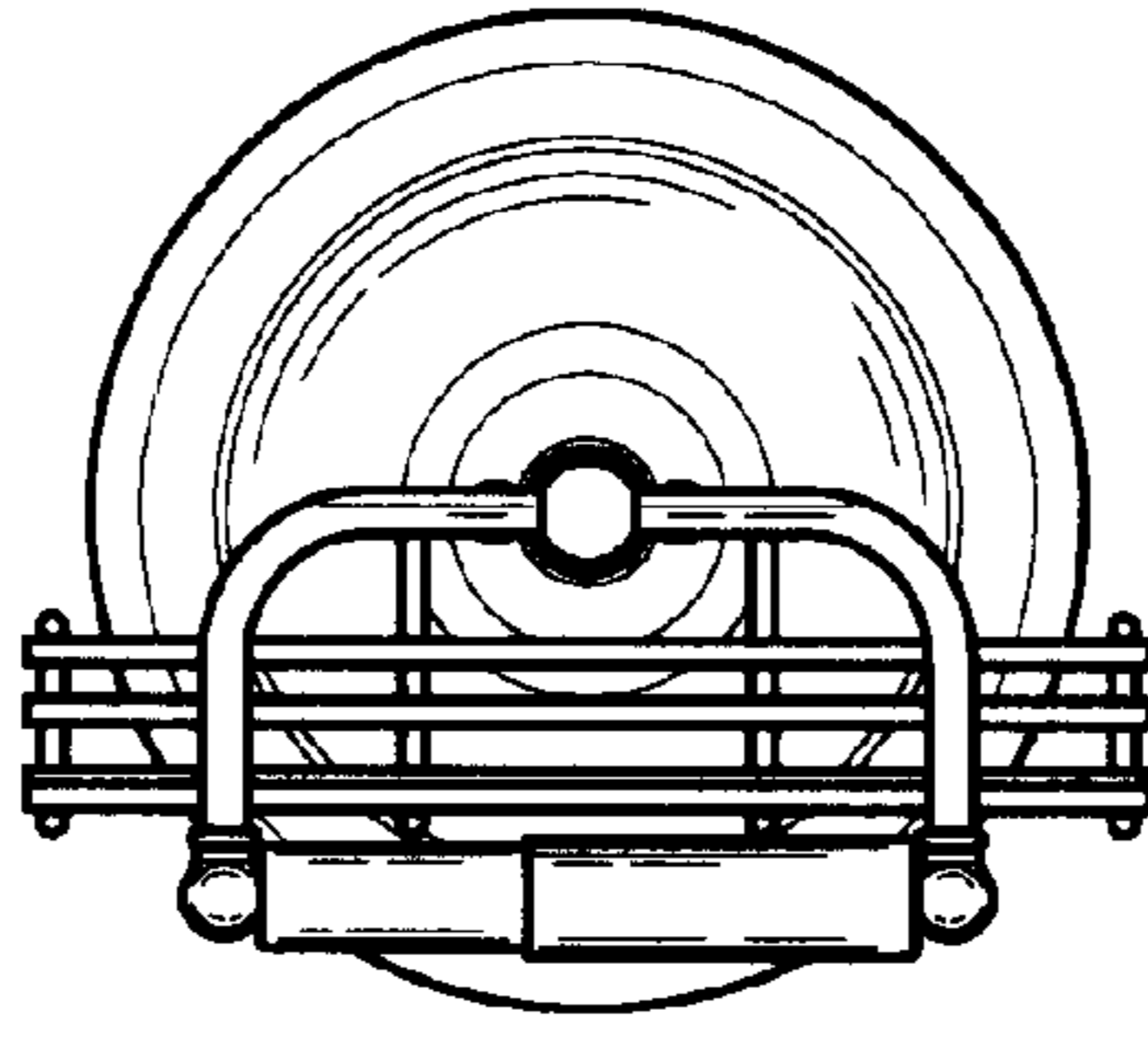


FIG. 6

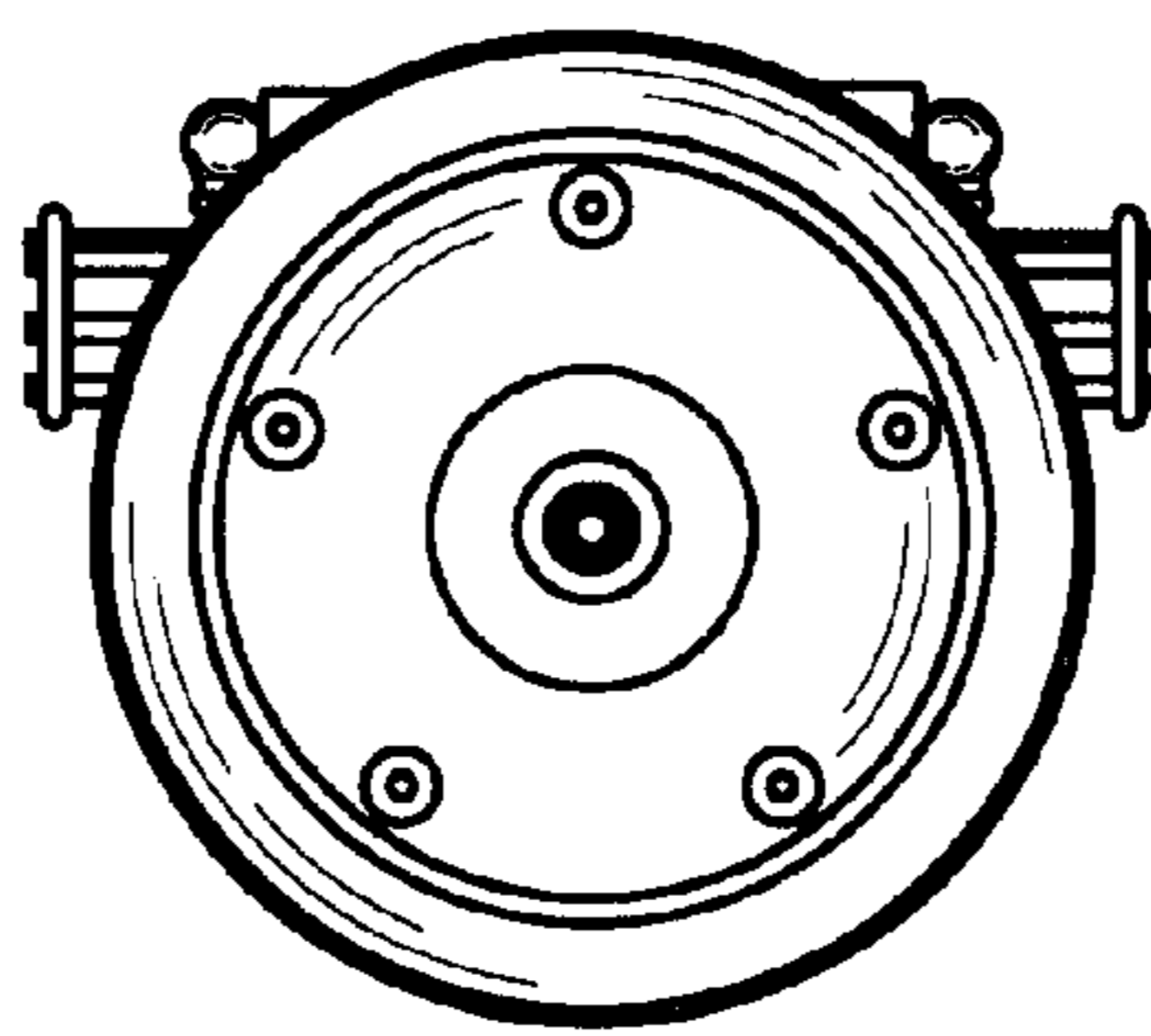


FIG. 7