



US00D476833S

(12) **United States Design Patent**
Weaver

(10) **Patent No.:** **US D476,833 S**

(45) **Date of Patent:** **** Jul. 8, 2003**

(54) **SUPPORT LEGS**

(75) Inventor: **Stephen D. Weaver**, Modesto, CA (US)

(73) Assignee: **Craig Leavitt and Stephen Weaver, Inc.**, Modesto, CA (US)

(**) Term: **14 Years**

(21) Appl. No.: **29/166,571**

(22) Filed: **Aug. 30, 2002**

Related U.S. Application Data

(63) Continuation-in-part of application No. 29/162,780, filed on Jun. 21, 2002, which is a continuation-in-part of application No. 29/162,779, filed on Jun. 21, 2002.

(51) **LOC (7) Cl.** **06-06**

(52) **U.S. Cl.** **D6/495**

(58) **Field of Search** D6/480-489, 495,
D6/496, 477, 479; 108/153.1, 155, 156,
157.1, 161; 248/188, 188.1, 188.8, 188.9

(56) **References Cited**

U.S. PATENT DOCUMENTS

D93,307 S	9/1934	Treitel	D6/477
D133,624 S	* 9/1942	Hollander	D6/480
D149,891 S	6/1948	Little	D6/477
D240,871 S	8/1976	Herman	D6/484
D298,705 S	11/1988	Johnson, Jr.	D6/405
D304,135 S	10/1989	Mergenov	D6/477
D309,539 S	7/1990	Lewis	D6/479
D415,909 S	* 11/1999	Valderen	D6/480
D456,644 S	* 5/2002	Weaver	D6/484

OTHER PUBLICATIONS

Weaver, "Table," pending U.S. Design patent application Ser. No. 29/170,342, filed Nov. 4, 2002.

Weaver et al., "Chair," pending U.S. Design patent application Ser. No. , filed Feb. 10, 2003.

Luceplan Suspension Lighting Fixture, TITANIA Alberto Meda Paolo Rizzotto, http://www.luceplan.com/sheets/suspension/sh_d17.html, 1989 one page.

Luceplan Suspension Lighting Fixture, TITANIA, <http://www.luceplan.com/suspension/titania.html>, one page.

Weaver, "Table," pending U.S. Design patent application, Ser. No. 29/162,779, filed Jun. 21, 2002.

Weaver, "Table," pending U.S. Design patent application, Ser. No. 29/162,780, filed Jun. 21, 2002.

* cited by examiner

Primary Examiner—Janice E. Seeger

(74) *Attorney, Agent, or Firm*—Heslin Rothenberg Farley & Mesiti P.C.

(57) **CLAIM**

The ornamental design for a support legs, as shown and described.

DESCRIPTION

FIG. 1 is a perspective view of a support legs comprising the new design;

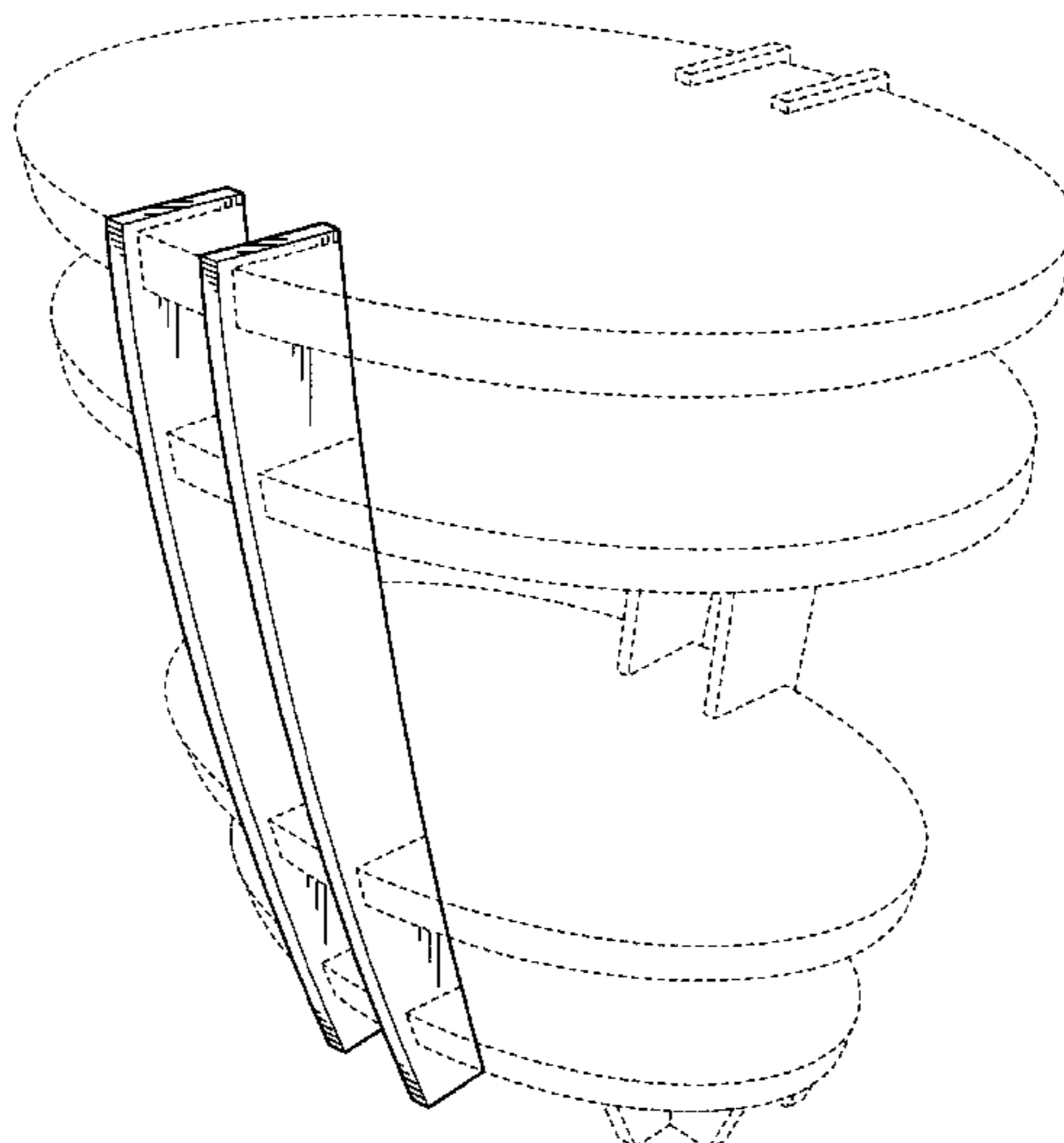
FIG. 2 is a top view thereof;

FIG. 3 is a front elevational view thereof, a rear elevational view being a mirror image thereof; and,

FIG. 4 is a left side elevational view thereof, a right side elevational view being a mirror image thereof.

The broken lines are for illustration purposes only and form no part of the claimed design.

1 Claim, 4 Drawing Sheets



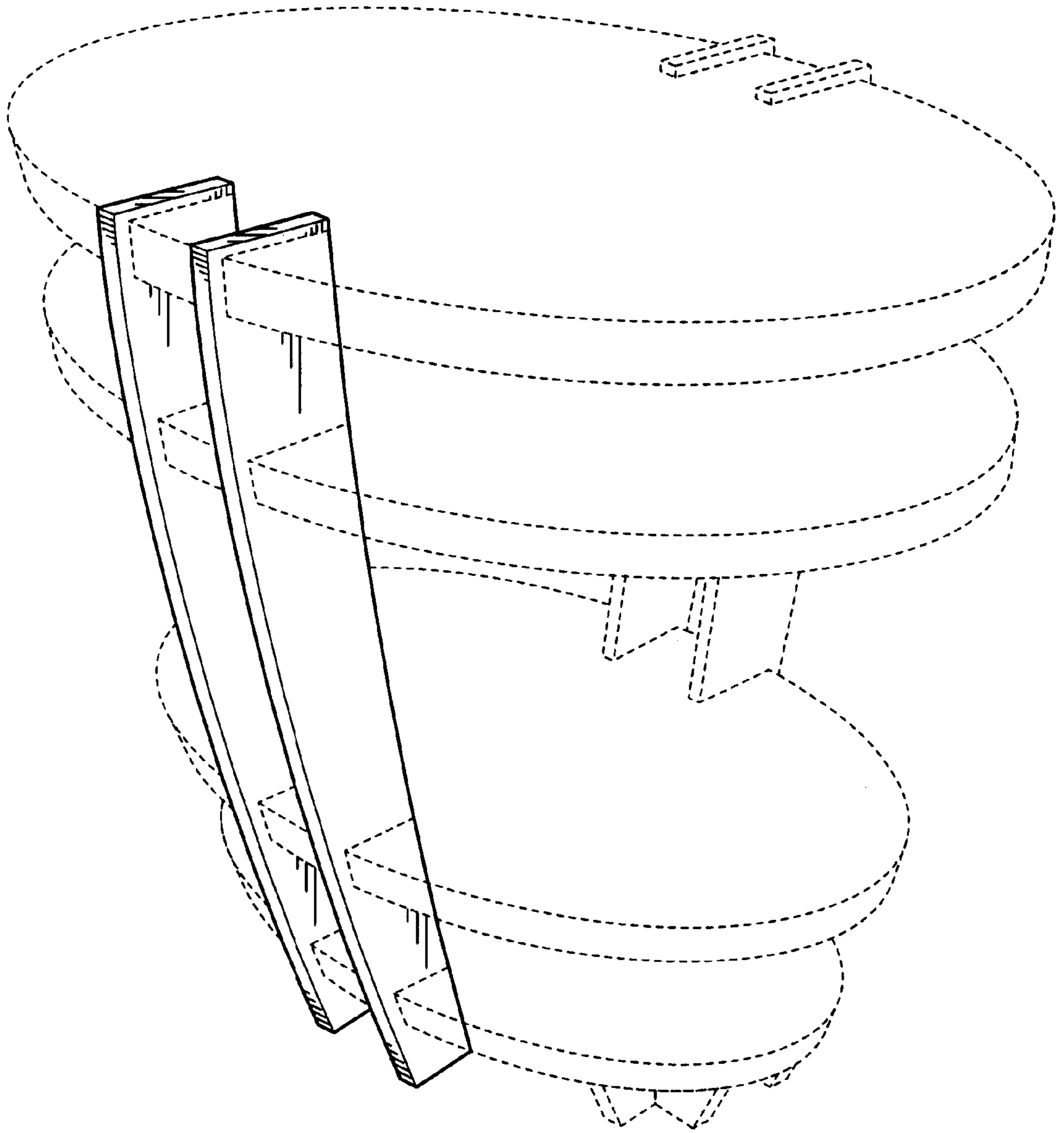


FIG. 1

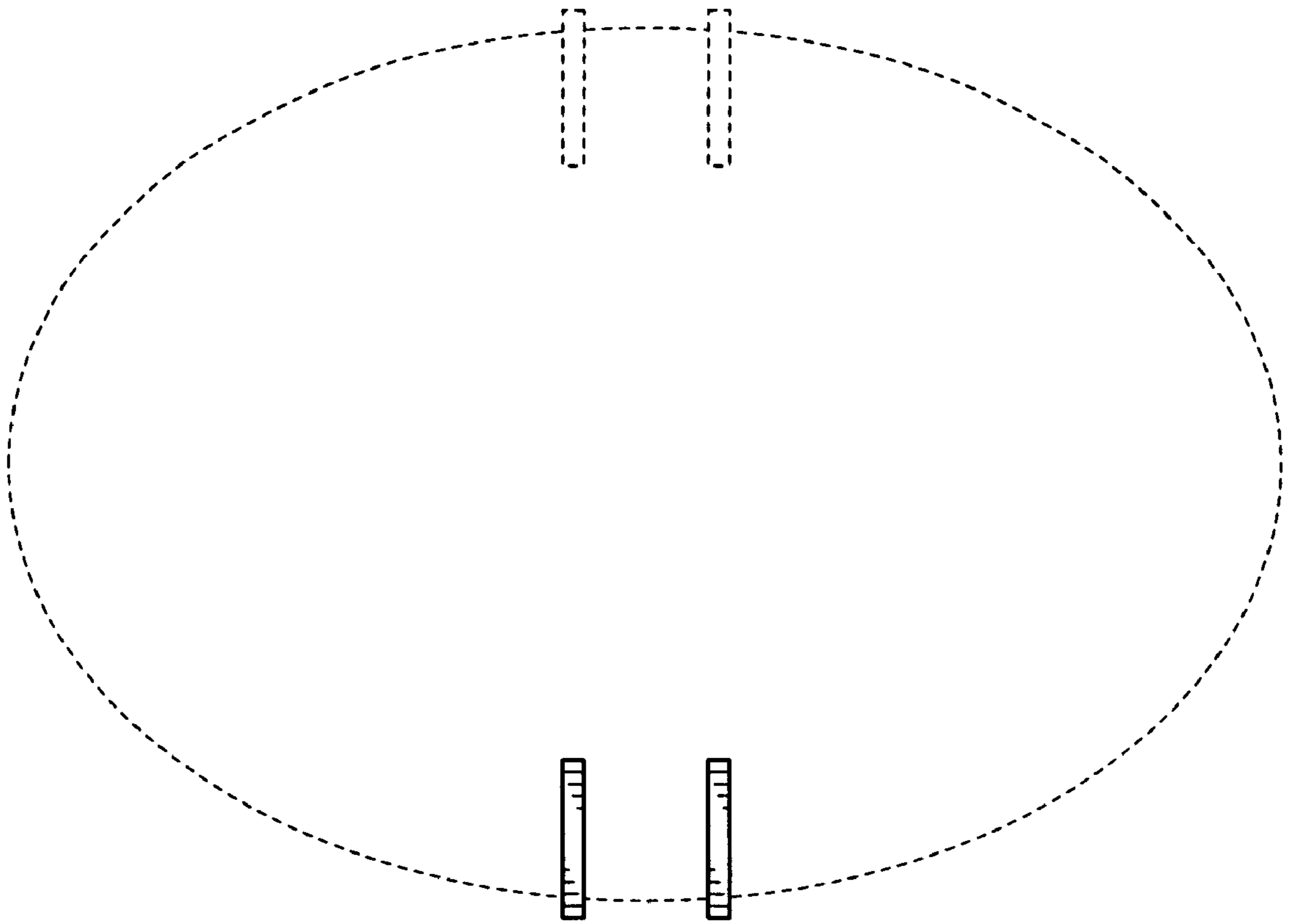


FIG. 2

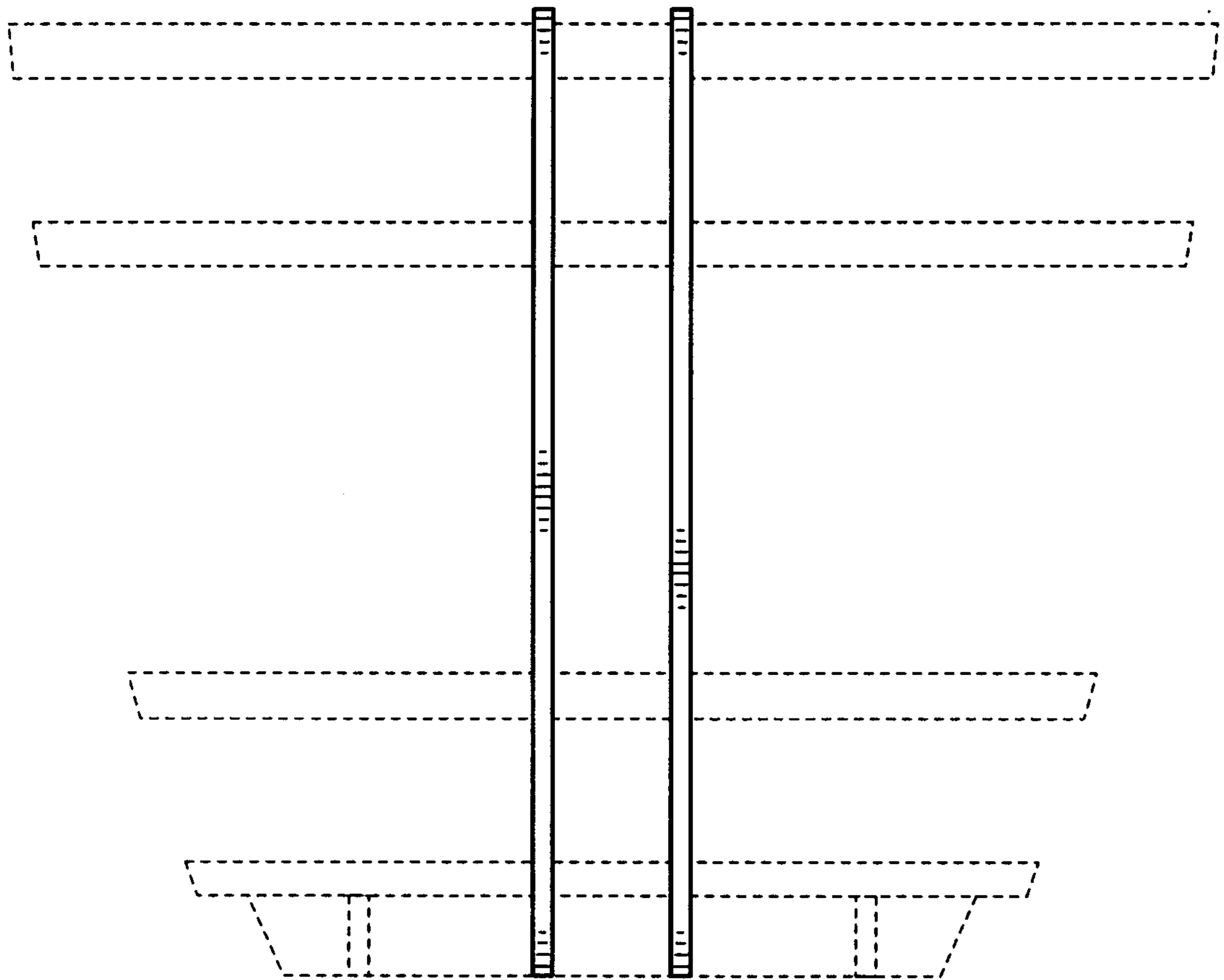


FIG. 3

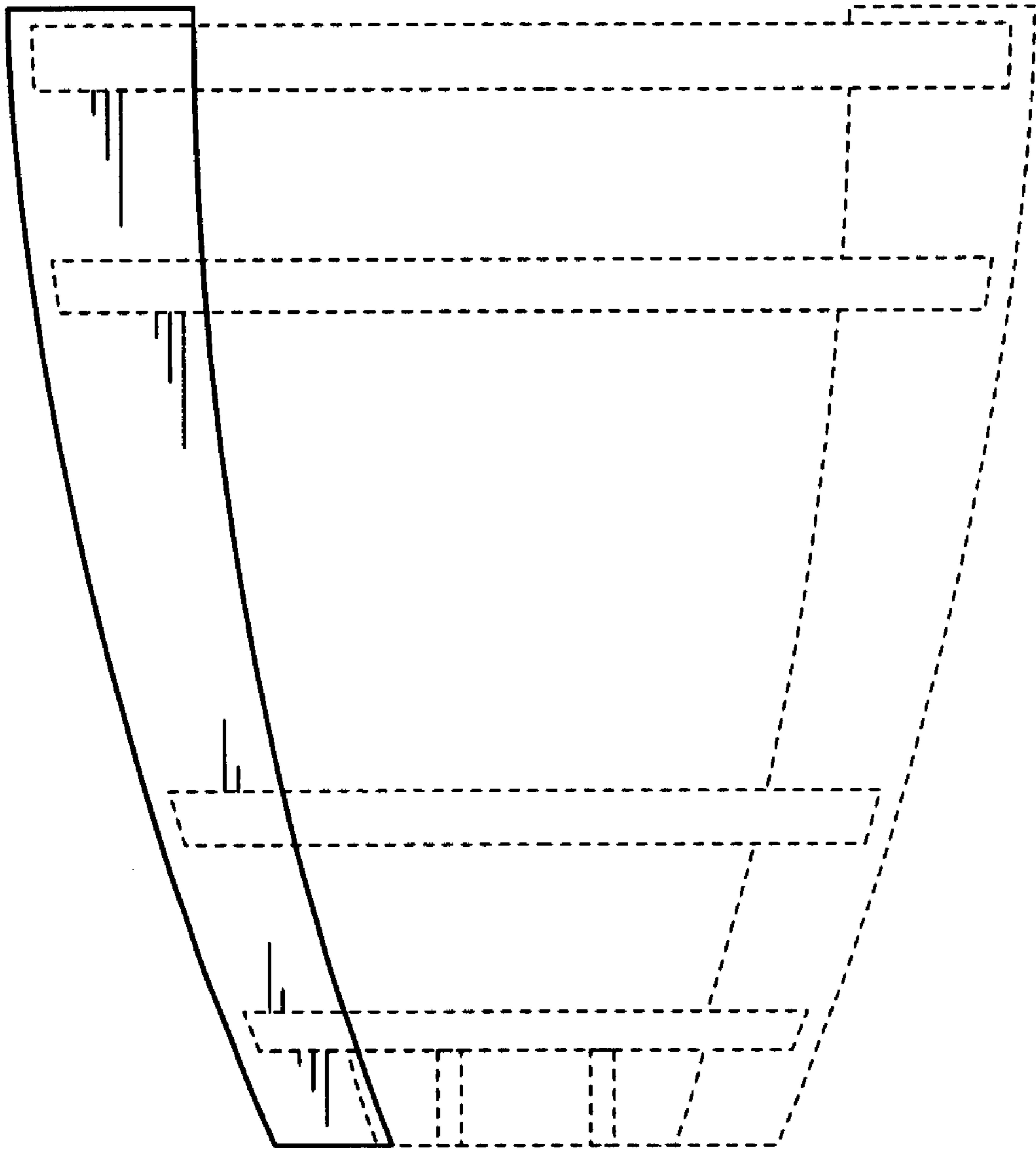


FIG. 4