



US00D476831S

(12) **United States Design Patent**
Fulmer

(10) **Patent No.:** **US D476,831 S**

(45) **Date of Patent:** **** Jul. 8, 2003**

(54) **REMOTE CONTROL HOLDER**

D454,749 S * 3/2002 Georgiadis et al. D6/629

(76) Inventor: **Bob Fulmer**, 3034 N. Halsted St.,
Chicago, IL (US) 60657

* cited by examiner

(**) Term: **14 Years**

Primary Examiner—Janice E. Seeger

(74) *Attorney, Agent, or Firm*—Barnes & Thornburg

(21) Appl. No.: **29/169,214**

(57) **CLAIM**

(22) Filed: **Oct. 16, 2002**

The ornamental design for a remote control holder, as shown and described.

(51) **LOC (7) Cl.** **06-06**

DESCRIPTION

(52) **U.S. Cl.** **D6/467; D6/476**

(58) **Field of Search** D6/449, 466, 467,
D6/468, 469, 476, 479; 211/13.1, 85.4,
85.26, 85.1; 248/176.1, 909; D28/173;
D19/85

FIG. 1 is a perspective view of the first embodiment of a new design for a remote control holder according to my invention, illustrating the front and left view thereof;

FIG. 2 is a top view of FIG. 1;

FIG. 3 is a left view of FIG. 1;

FIG. 4 is a front view of FIG. 1;

FIG. 5 is a rear view of FIG. 1;

FIG. 6 is a bottom view of FIG. 1;

FIG. 7 is a perspective view of the second embodiment of the remote control holder, illustrating the front and left view thereof;

FIG. 8 is a top view of FIG. 7;

FIG. 9 is a left view of FIG. 7;

FIG. 10 is a front view of FIG. 7;

FIG. 11 is a rear view of FIG. 7; and,

FIG. 12 is a bottom view of FIG. 7.

The broken lines are for environmental purposes only and form no part of the claimed design.

(56) **References Cited**

U.S. PATENT DOCUMENTS

D165,565 S	*	12/1951	White	D28/73
3,107,467 A	*	10/1963	Gates	D19/85
4,660,792 A		4/1987	Rogalski		
D321,444 S	*	11/1991	Khantzis	D6/468
D322,902 S	*	1/1992	Khantzis	D6/468
D326,195 S		5/1992	Lowe		
5,122,937 A		6/1992	Stoudemire		
5,370,241 A		12/1994	Silvers		
D353,956 S		1/1995	Schmidt		
5,419,263 A		5/1995	Mills		
D363,619 S		10/1995	Karnaze		
D426,985 S		6/2000	Casalino		
D433,065 S	*	10/2000	Mahlke	D19/85

1 Claim, 2 Drawing Sheets

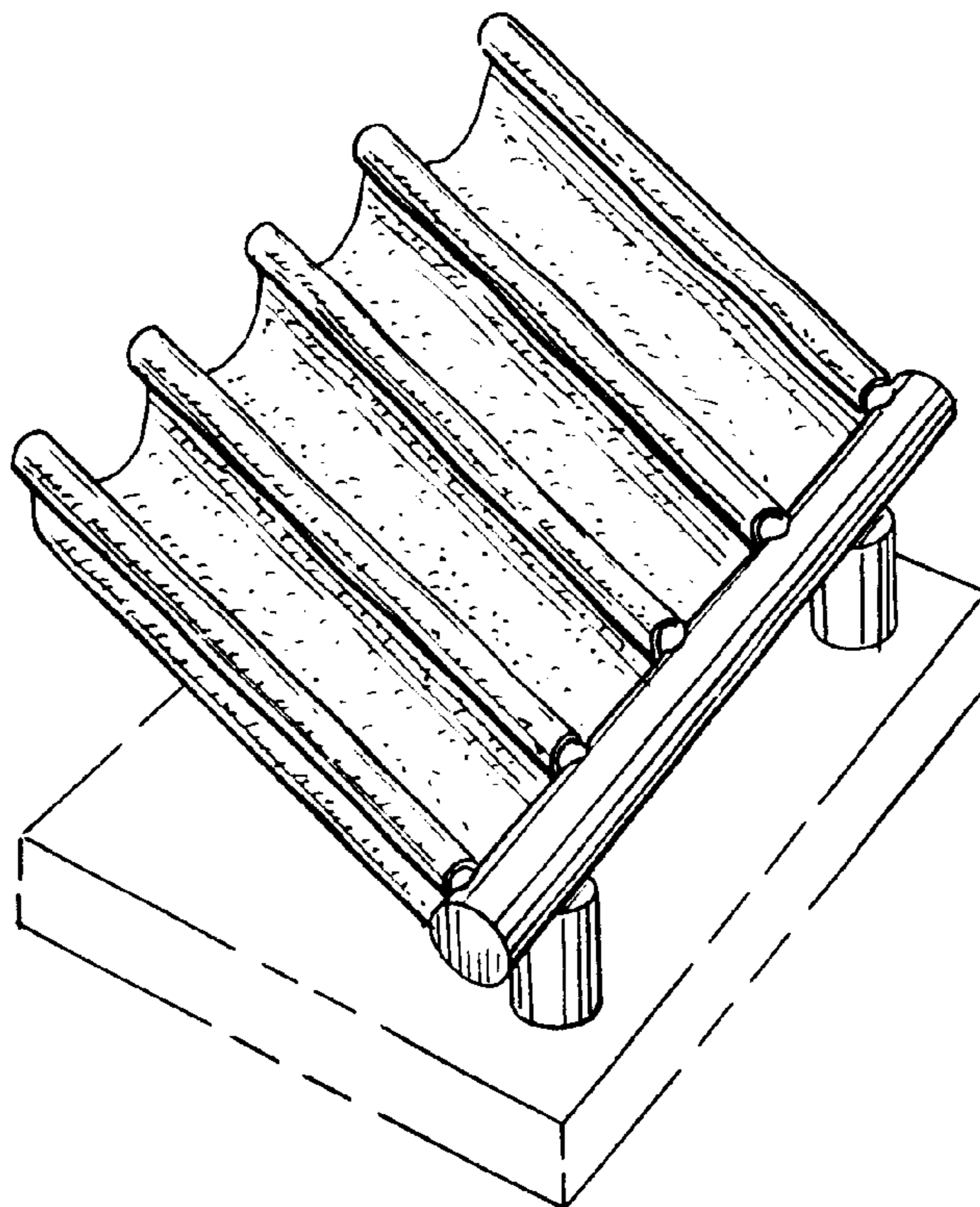


FIG. 1

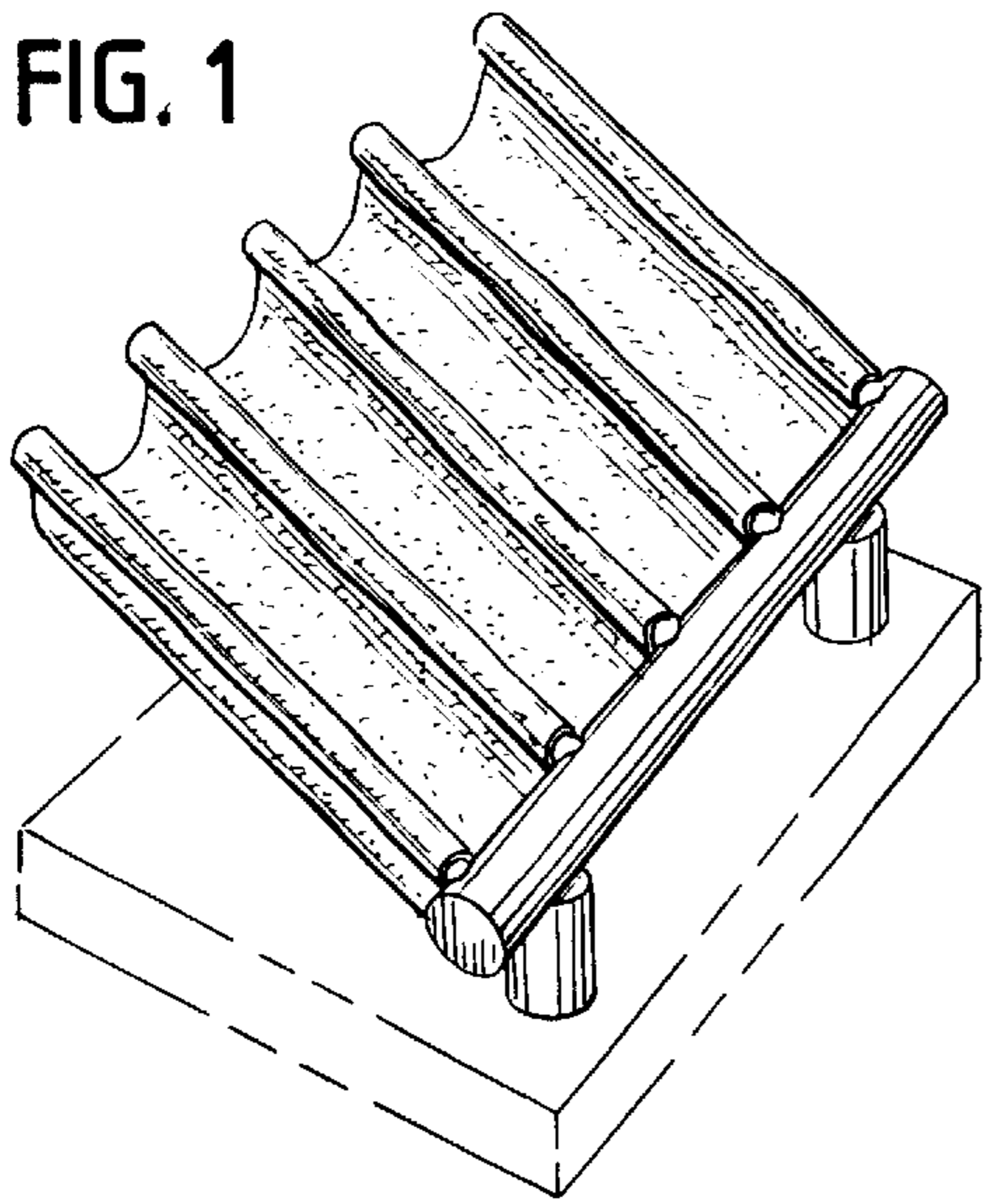


FIG. 2

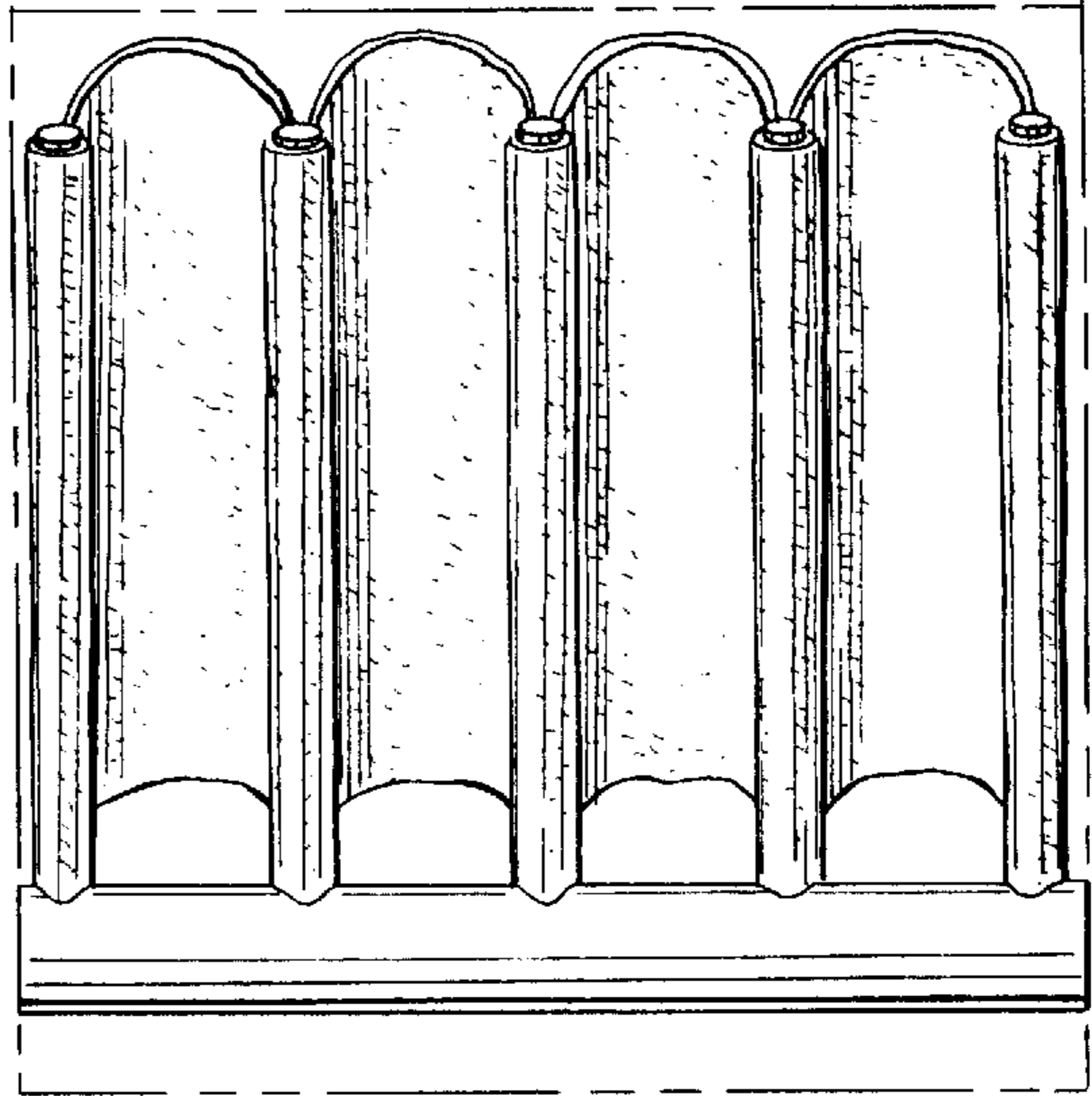


FIG. 3

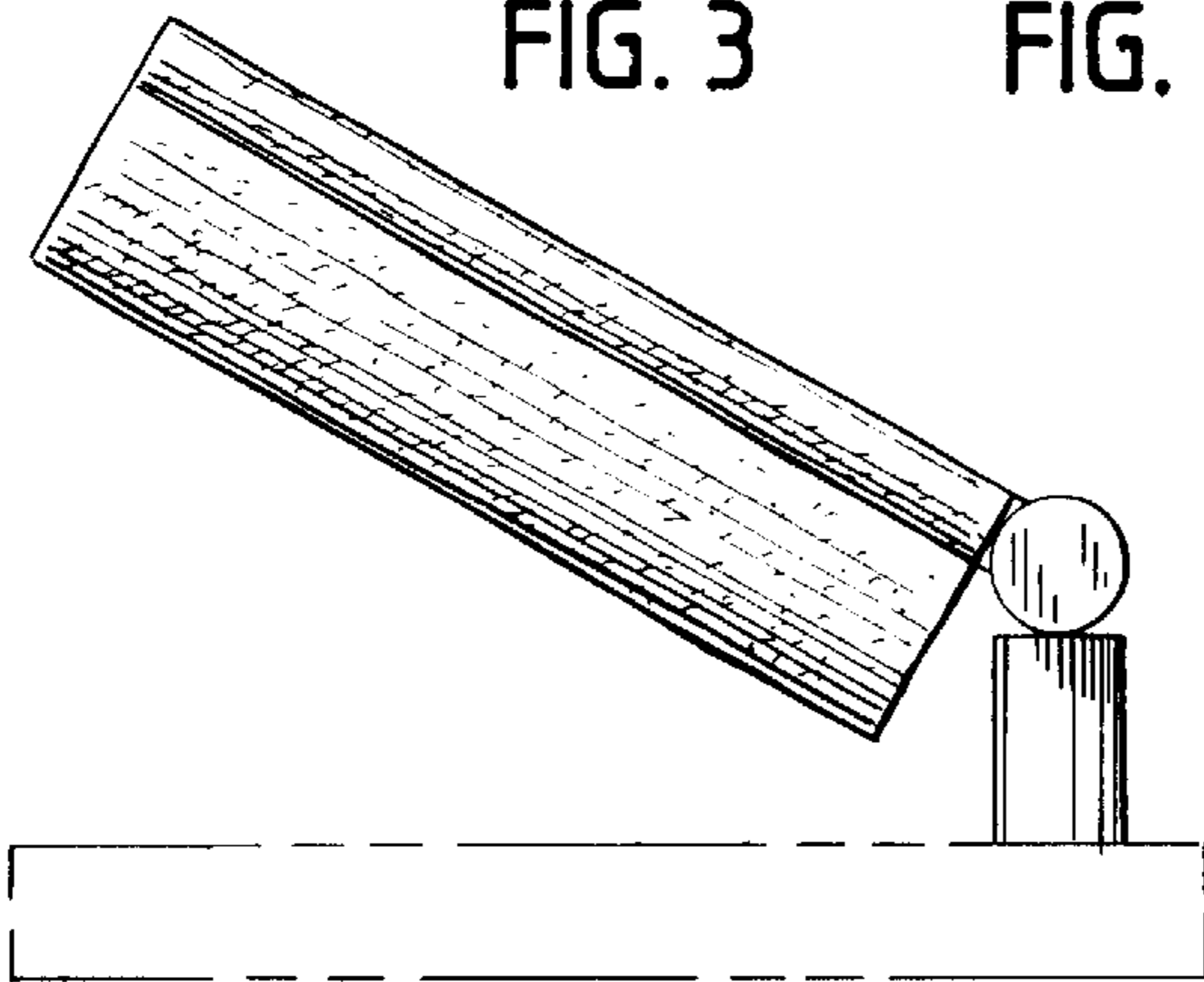


FIG. 4

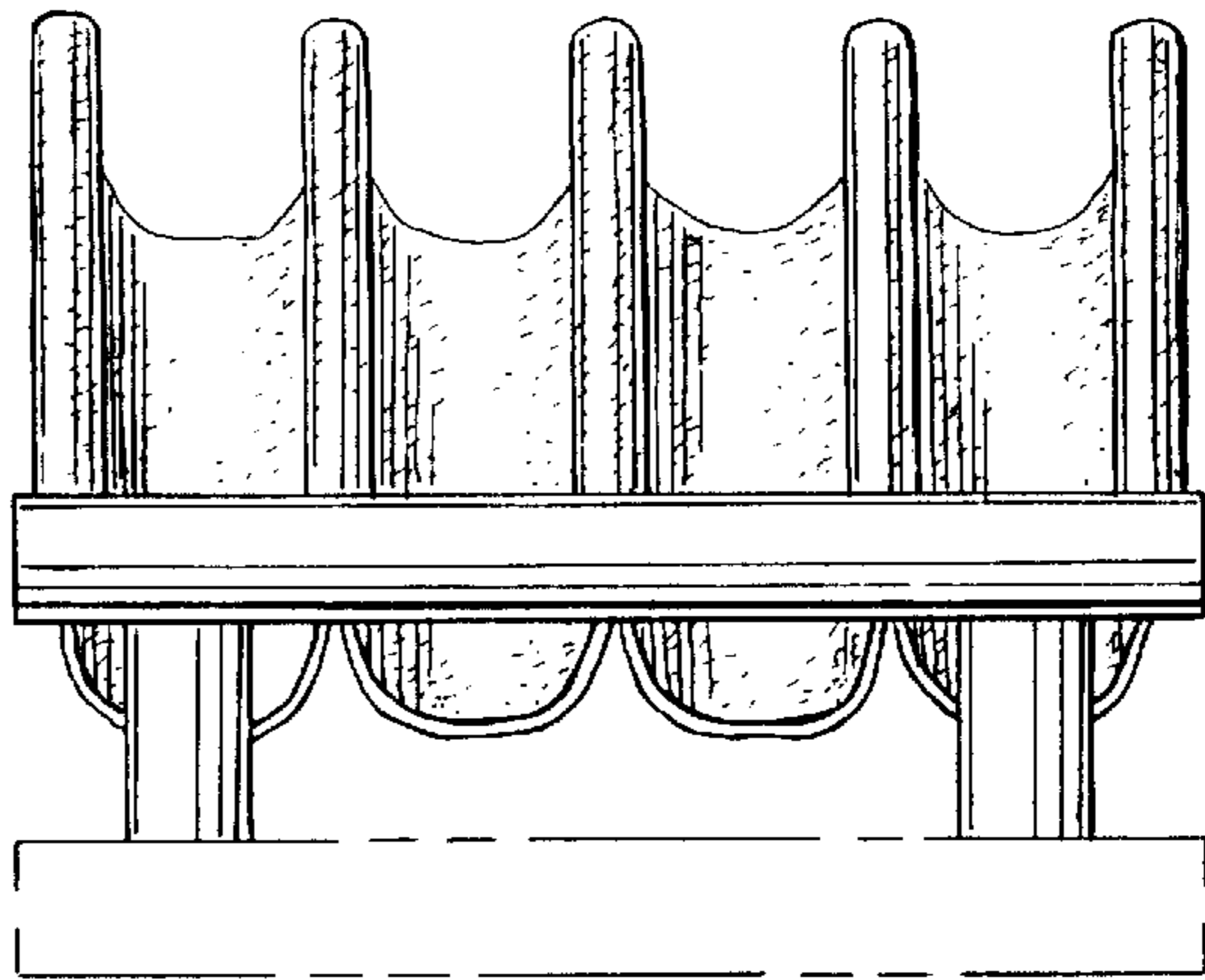


FIG. 5

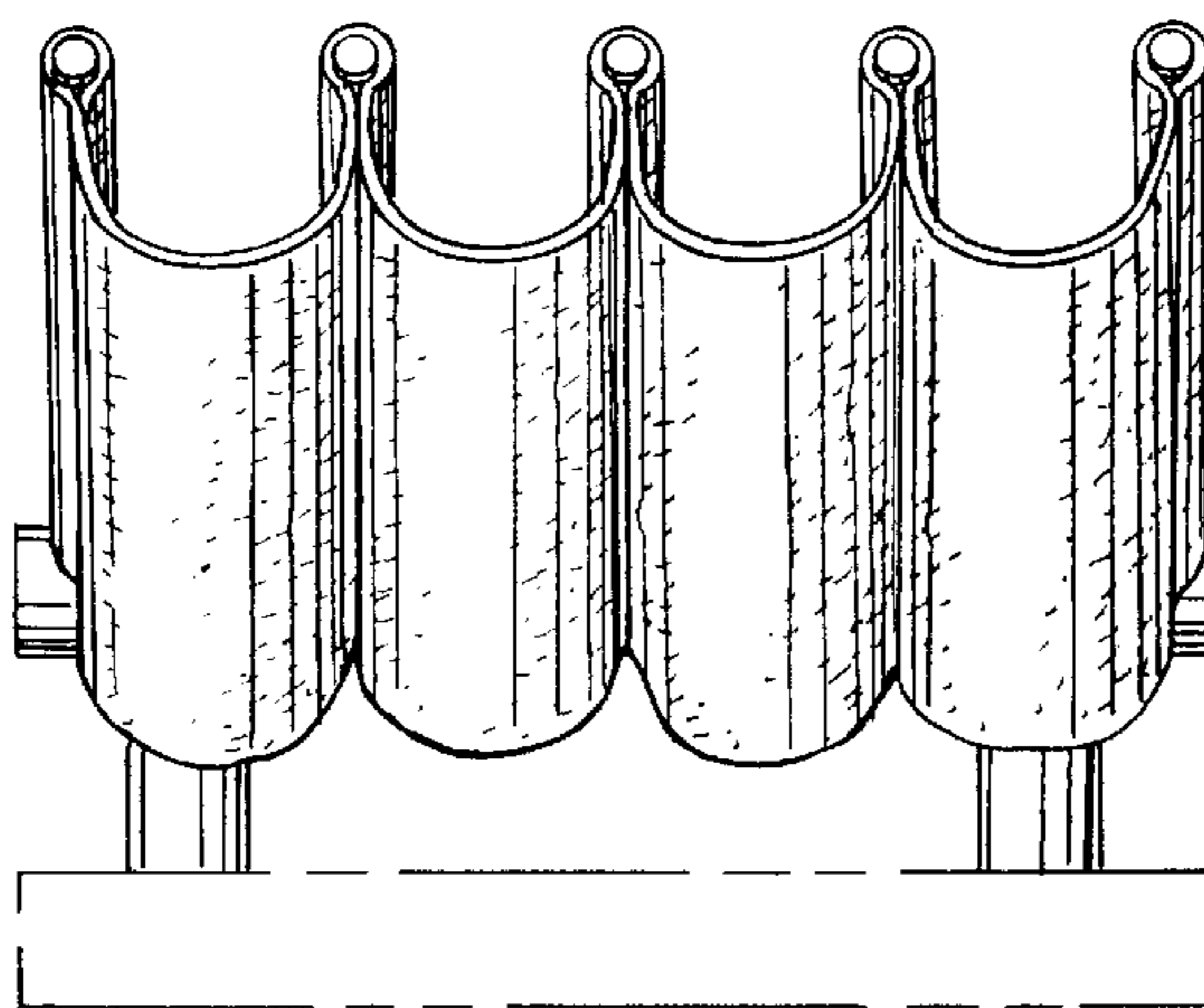


FIG. 6

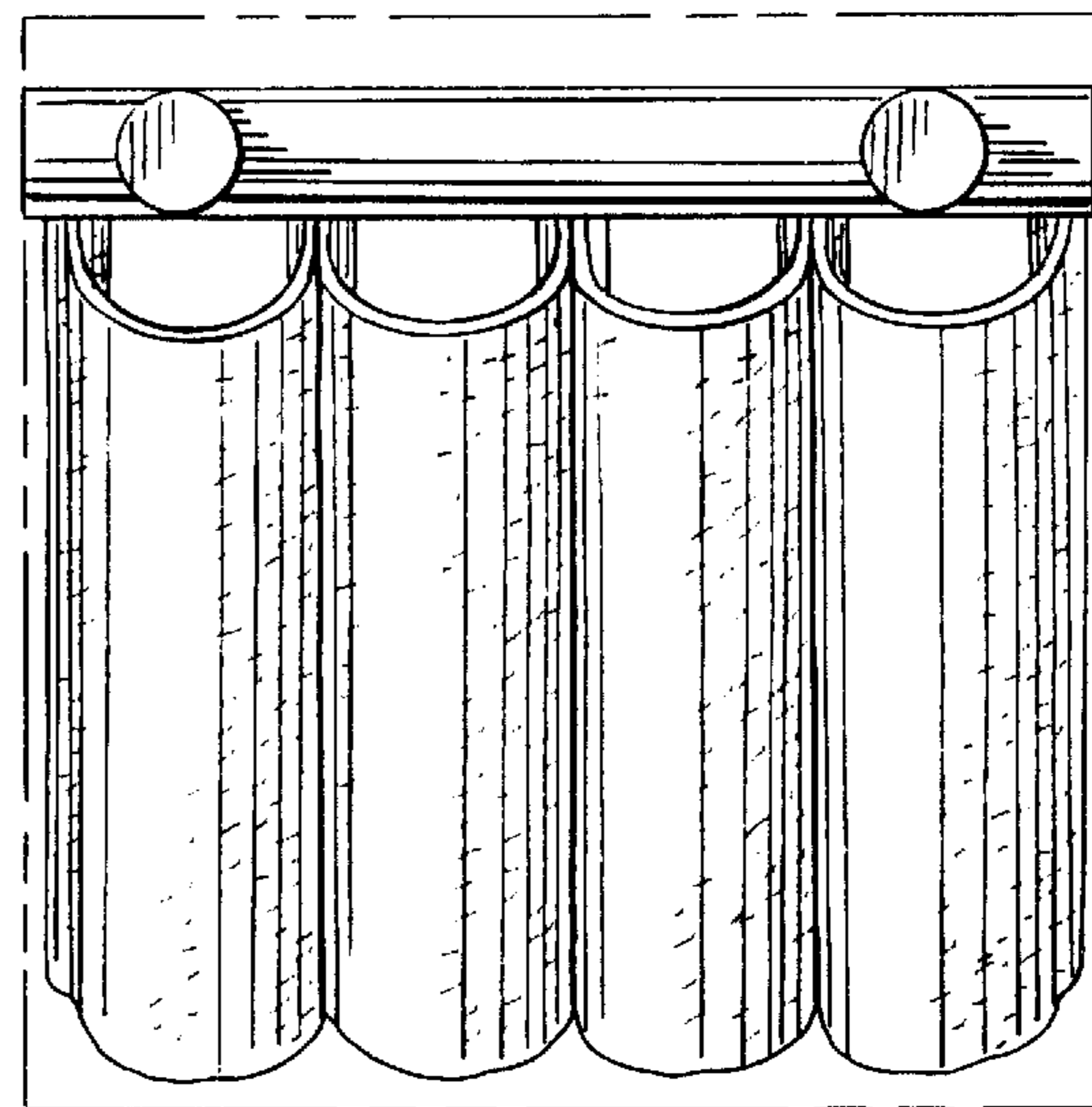


FIG. 7

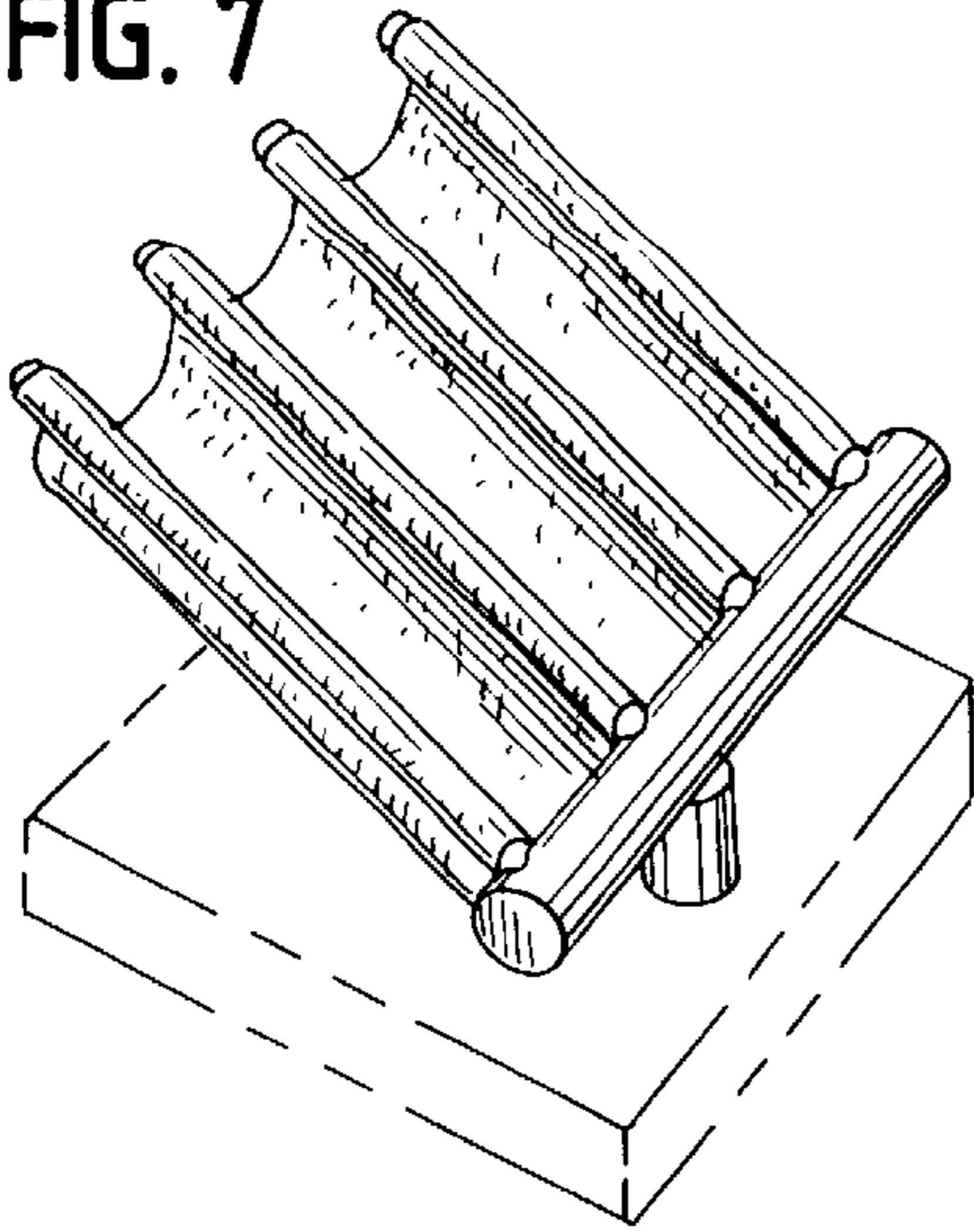


FIG. 8

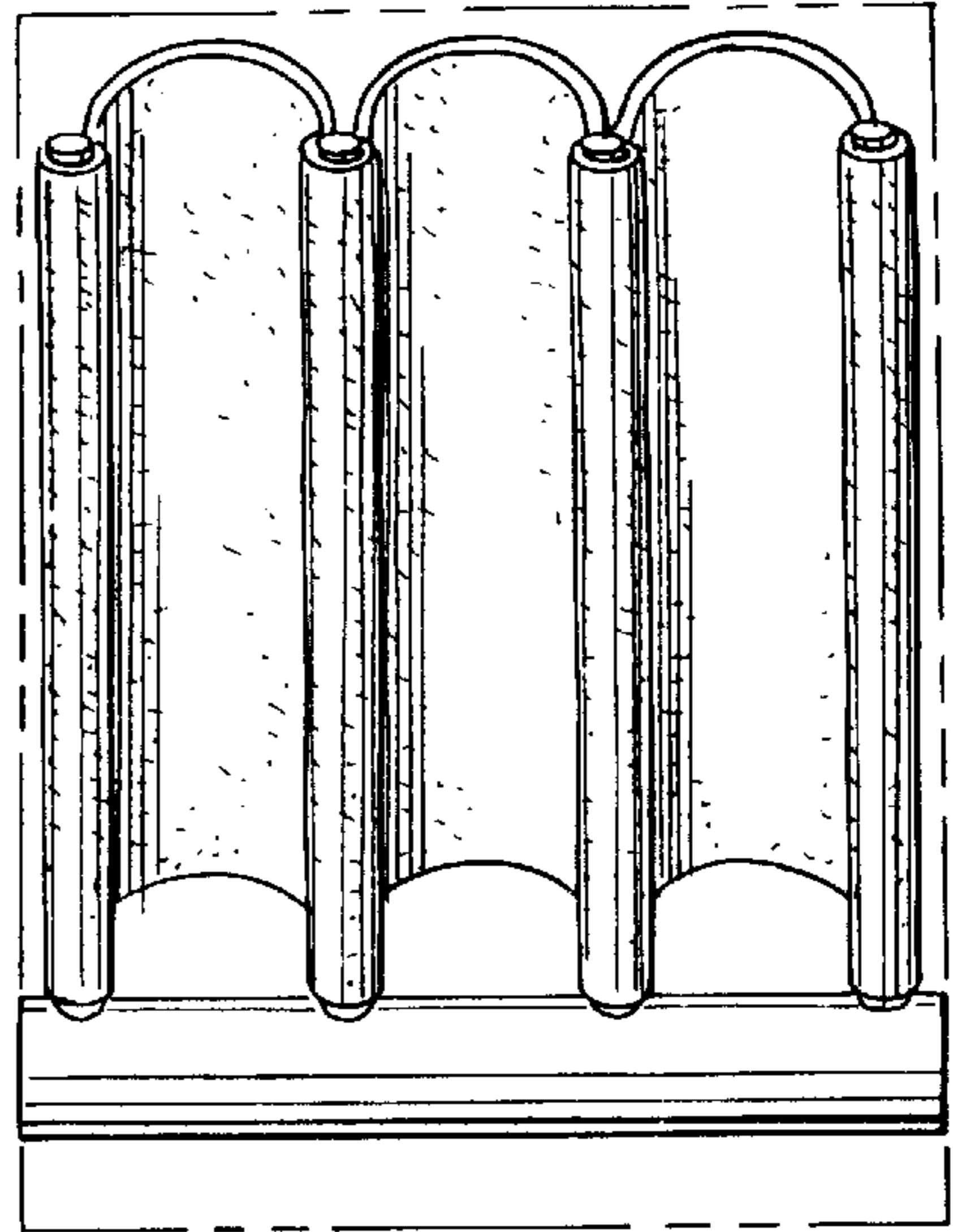


FIG. 9

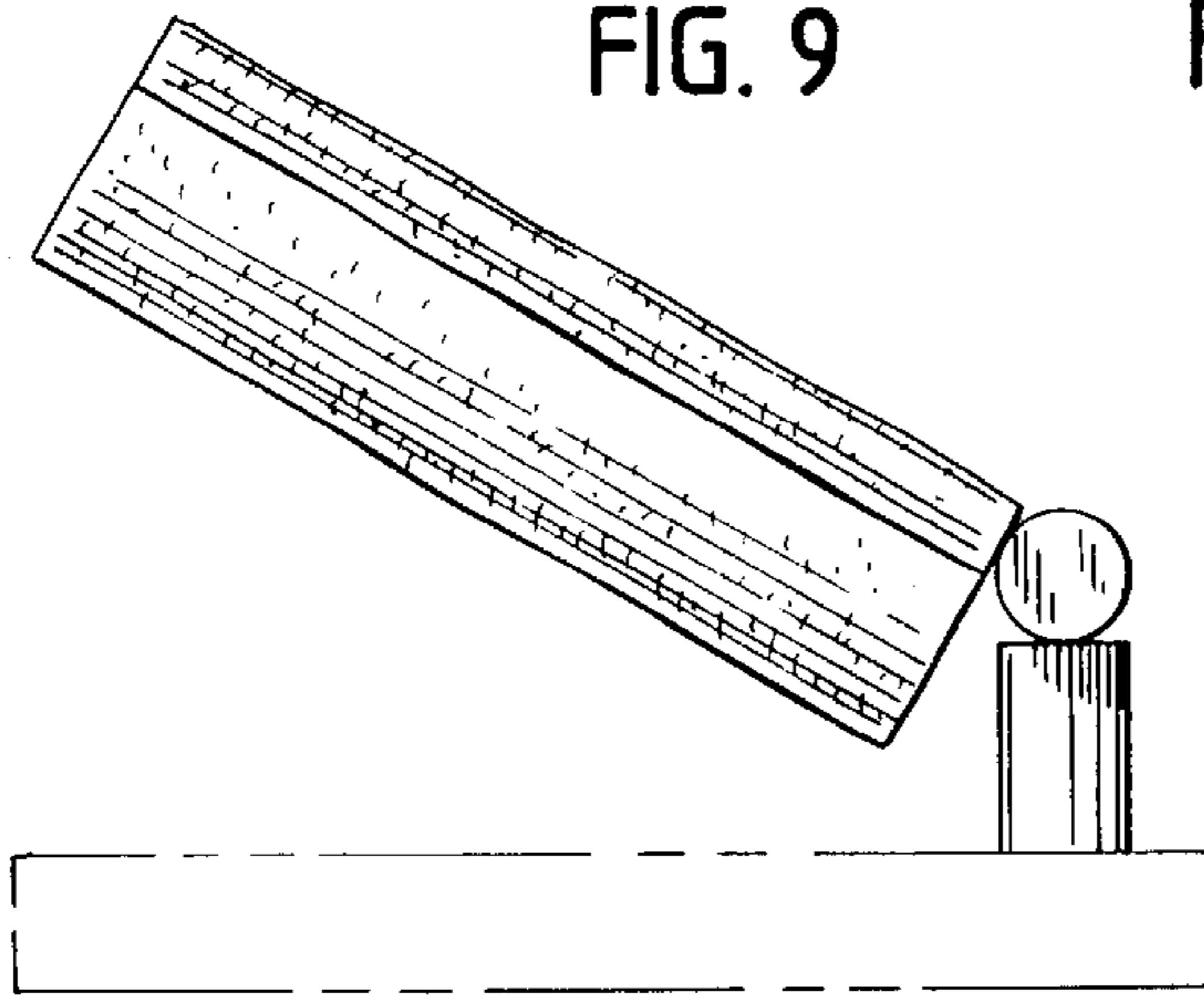


FIG. 10

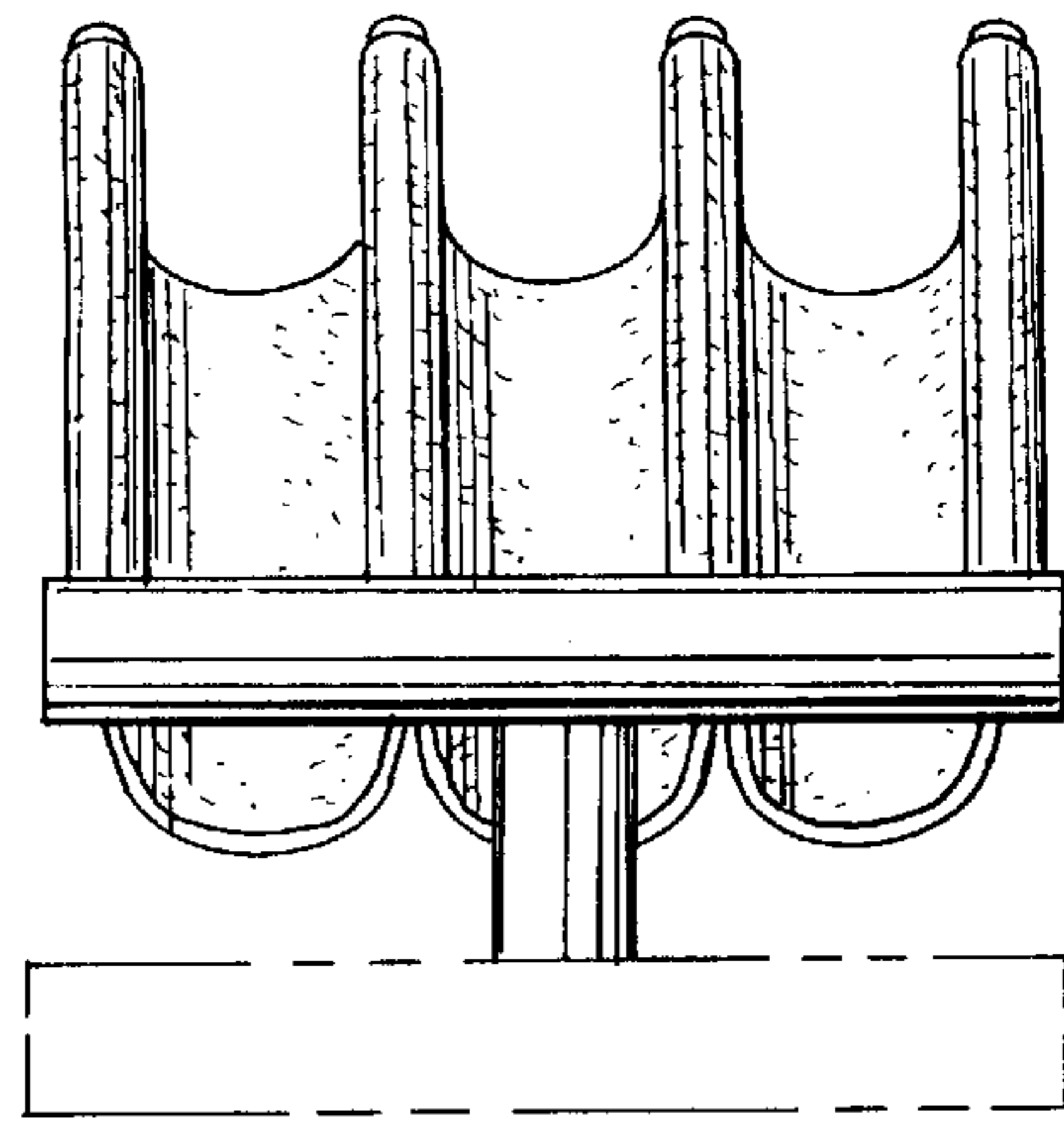


FIG. 11

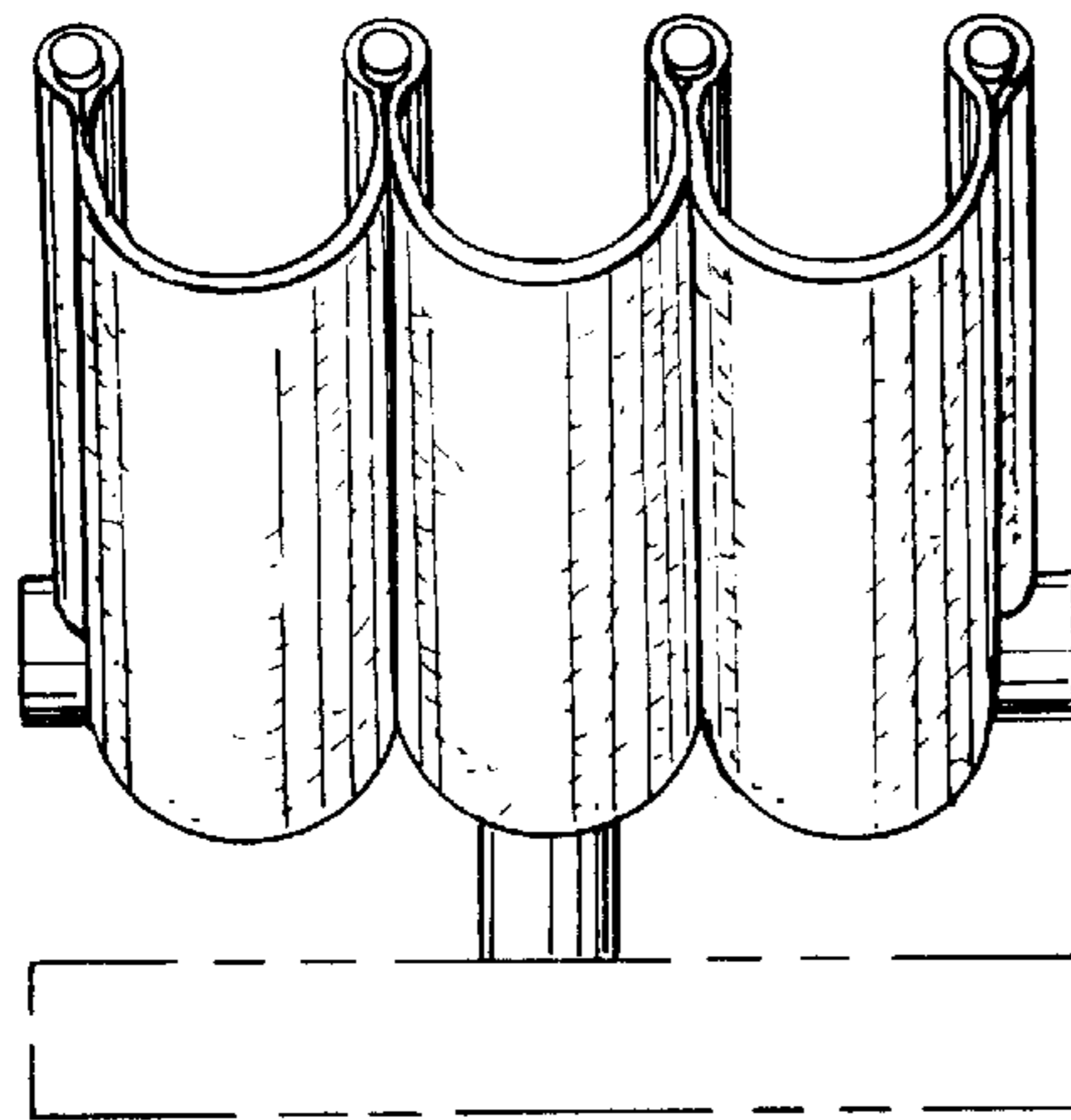


FIG. 12

