



US00D476830S

(12) **United States Design Patent**
Sayler et al.

(10) **Patent No.:** **US D476,830 S**

(45) **Date of Patent:** **** Jul. 8, 2003**

(54) **DISPLAY STAND**

5,607,135 A * 3/1997 Yamada 248/456

(75) Inventors: **David Sayler**, Portland, OR (US); **Alf Hackenberg**, Munich (DE)

* cited by examiner

(73) Assignee: **Wacom Co., Ltd.**, Saitama-ken (JP)

Primary Examiner—Janice E. Seeger

(**) Term: **14 Years**

(74) *Attorney, Agent, or Firm*—Liniak, Berenato & White

(21) Appl. No.: **29/164,032**

(57) **CLAIM**

(22) Filed: **Jul. 18, 2002**

The ornamental design for a display stand, as shown and described.

(51) **LOC (7) Cl.** **06-06**

DESCRIPTION

(52) **U.S. Cl.** **D6/466**

FIG. 1 is a front perspective view of a display stand showing my new design;

(58) **Field of Search** D6/449, 446, 467, D6/468, 469, 300, 309, 301, 310; 211/13.1, 14, 85.4, 85.26, 85.3, 85.1, 74; 248/176.1, 105, 441.1, 442.2, 454, 455, 456, 460, 450, 463; D7/404; D9/455

FIG. 2 is a rear perspective view thereof;
FIG. 3 is a front elevational view thereof;
FIG. 4 is a rear elevational view thereof;
FIG. 5 is a left side elevational view thereof;
FIG. 6 is a right side elevational view thereof;
FIG. 7 is a left side elevational view of the subject stand in an alternate configuration.
FIG. 8 is a top plan view of the stand of FIG. 1; and,
FIG. 9 is a bottom plan view thereof.

(56) **References Cited**

U.S. PATENT DOCUMENTS

4,460,146 A * 7/1984 Raggiotti 248/456
D366,568 S * 1/1996 Pagano D6/310

1 Claim, 8 Drawing Sheets

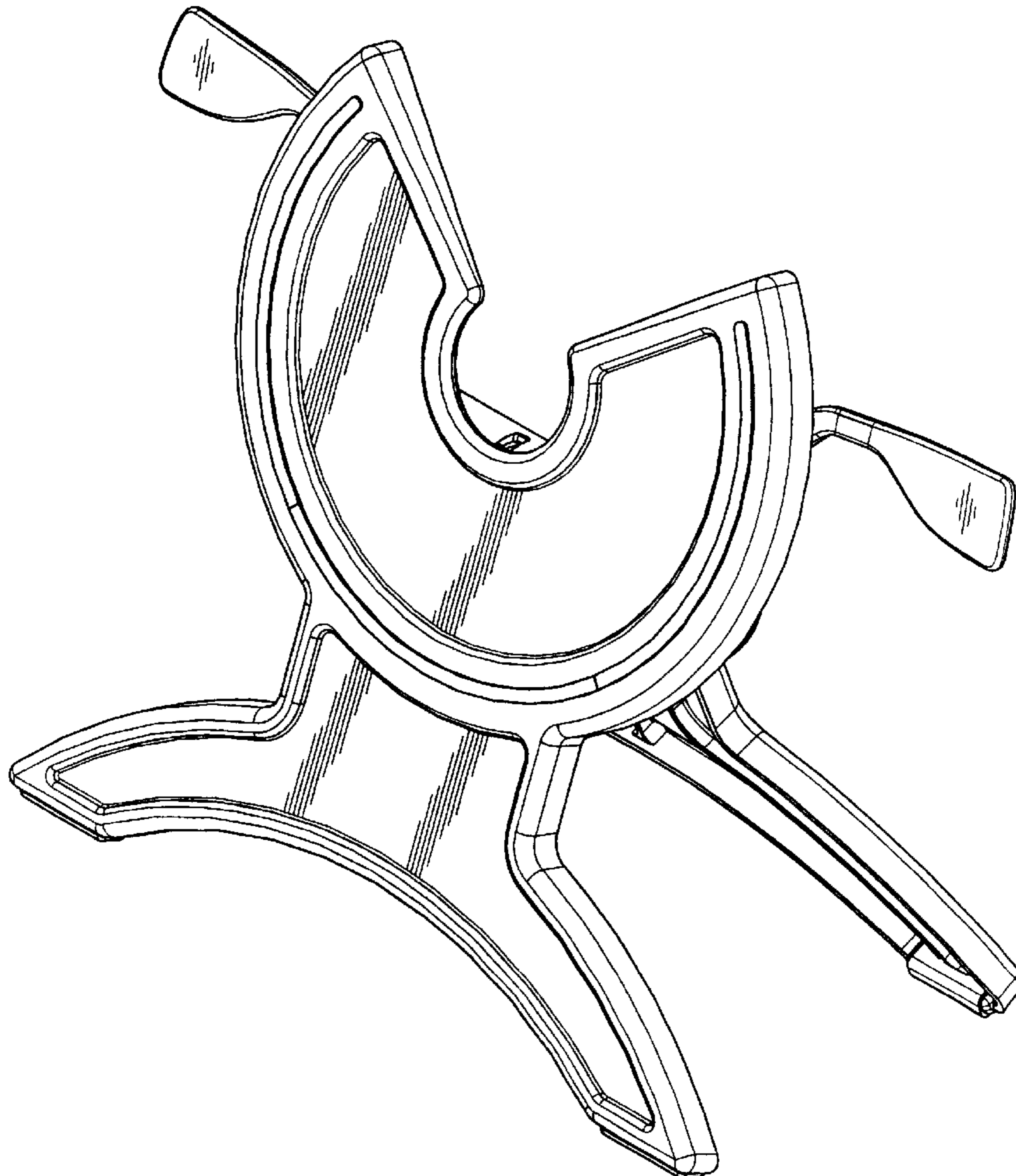


Fig. 1

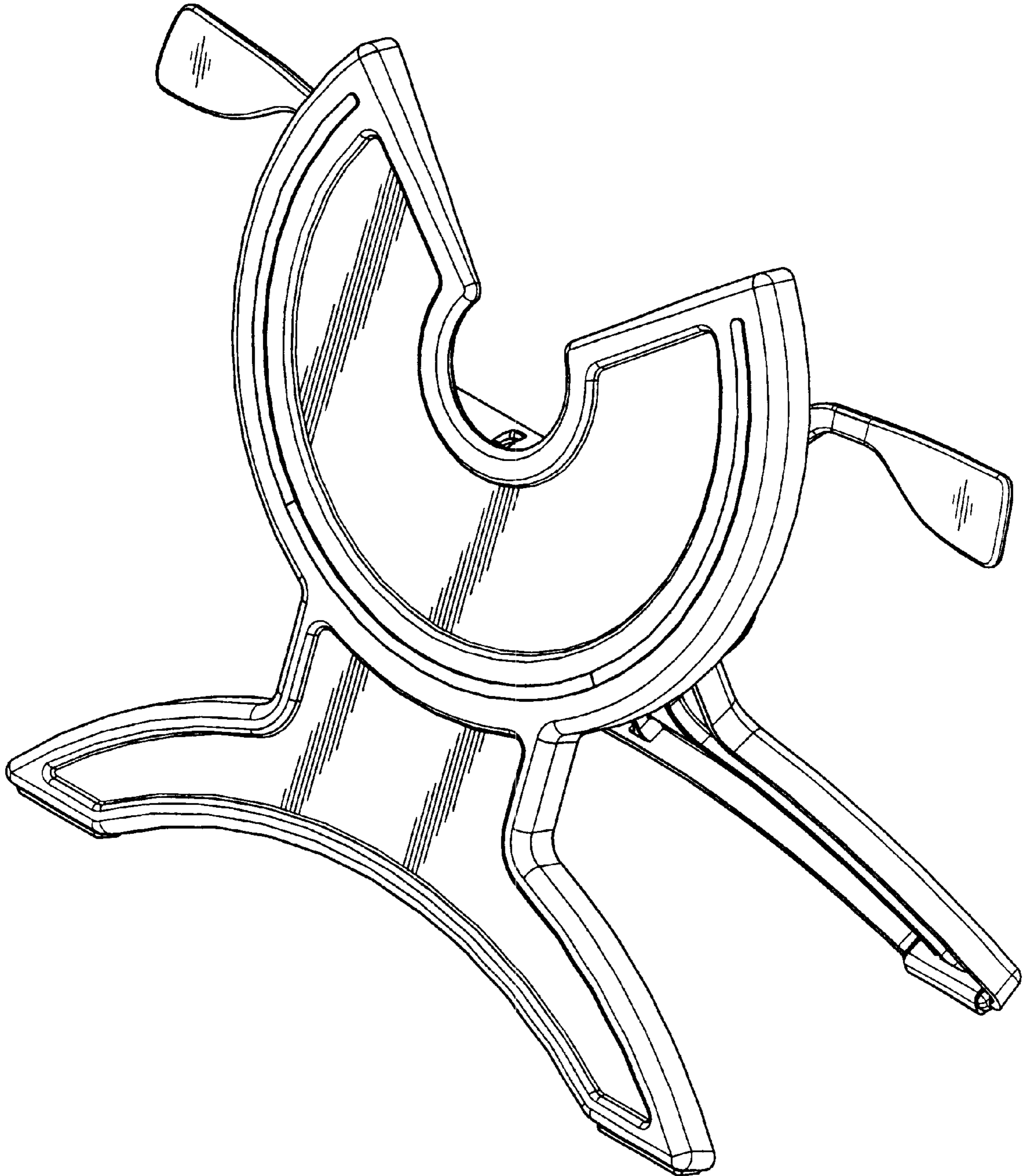


Fig. 2

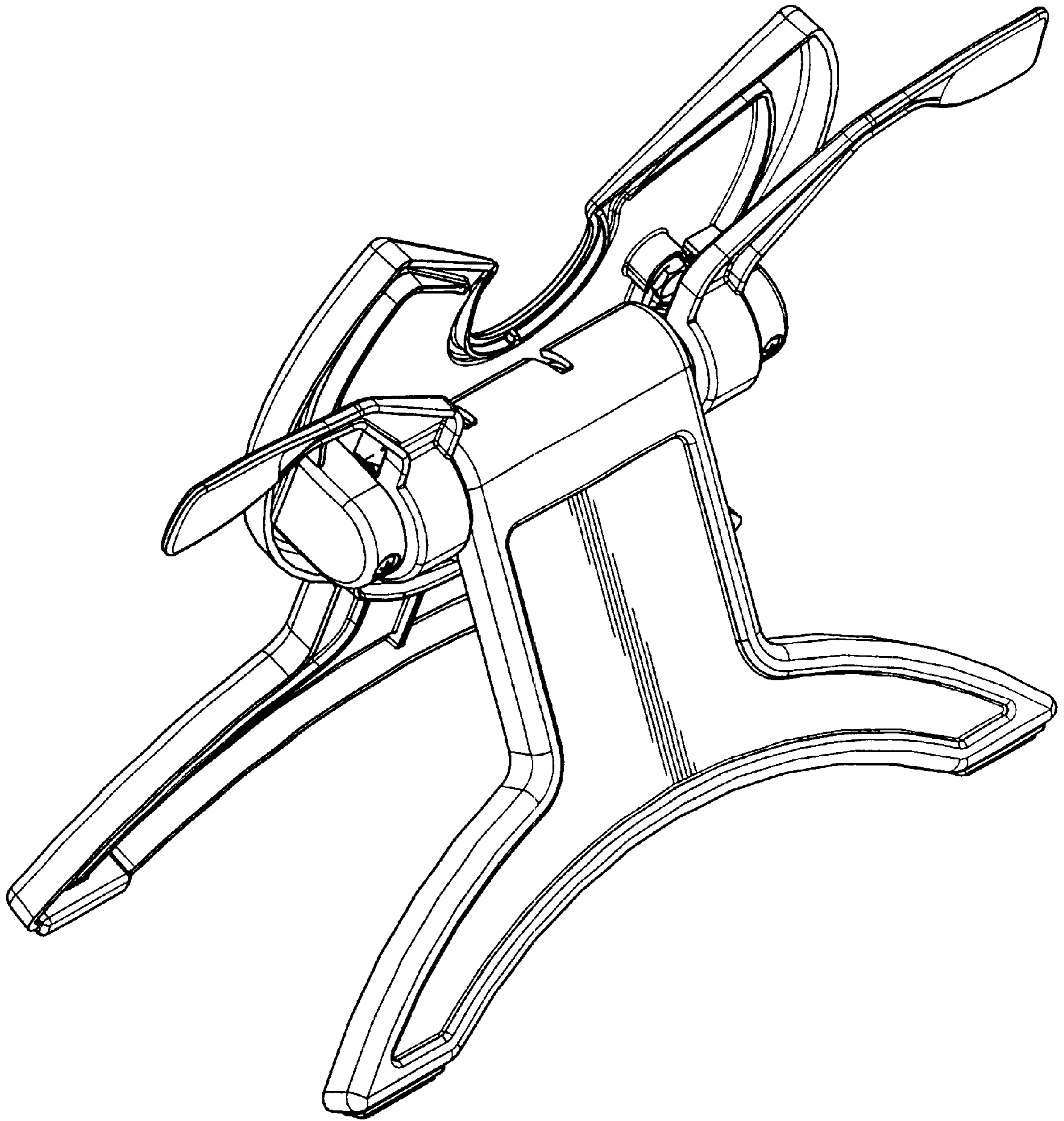


Fig. 3

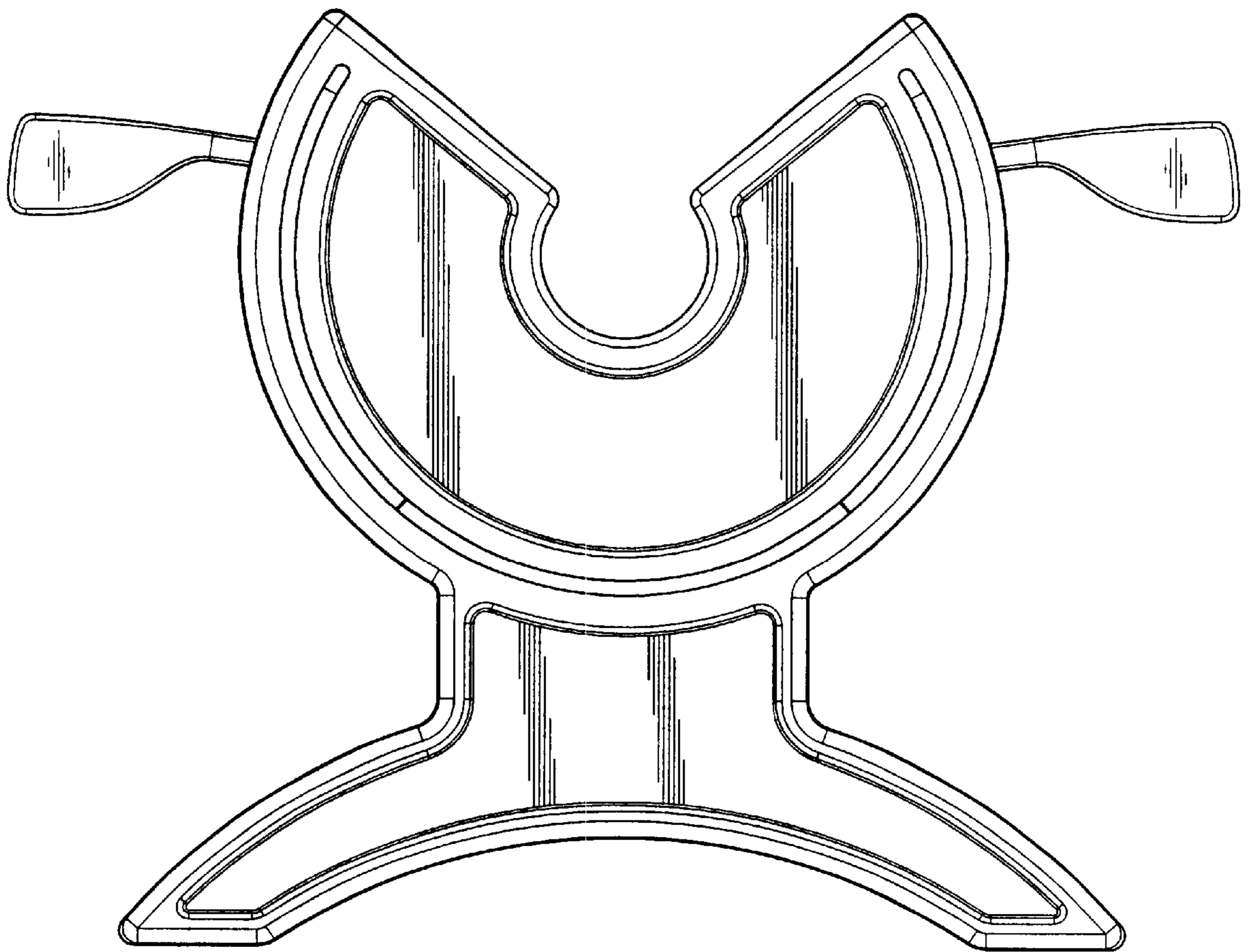


Fig. 4

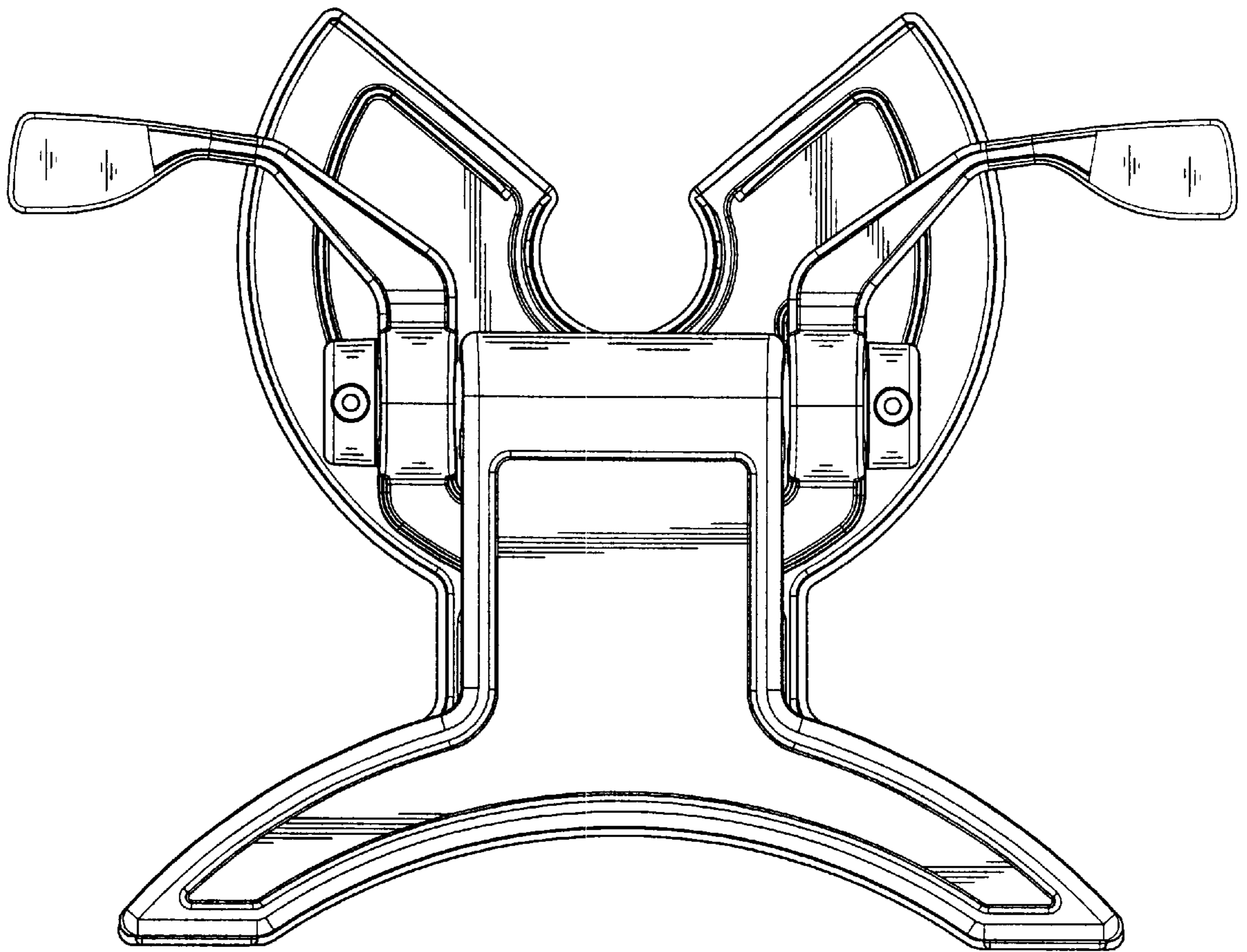


Fig. 5

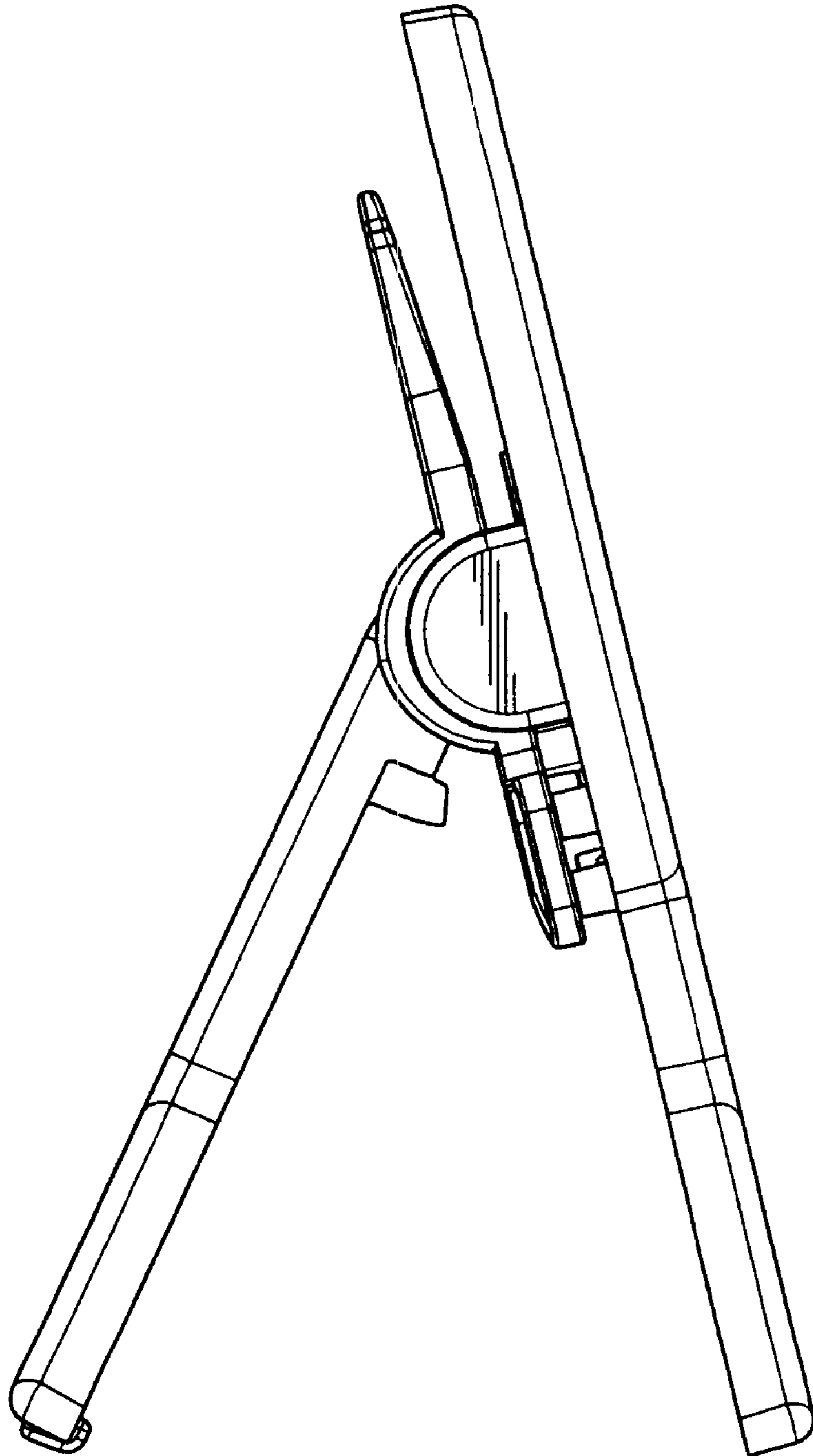


Fig. 6

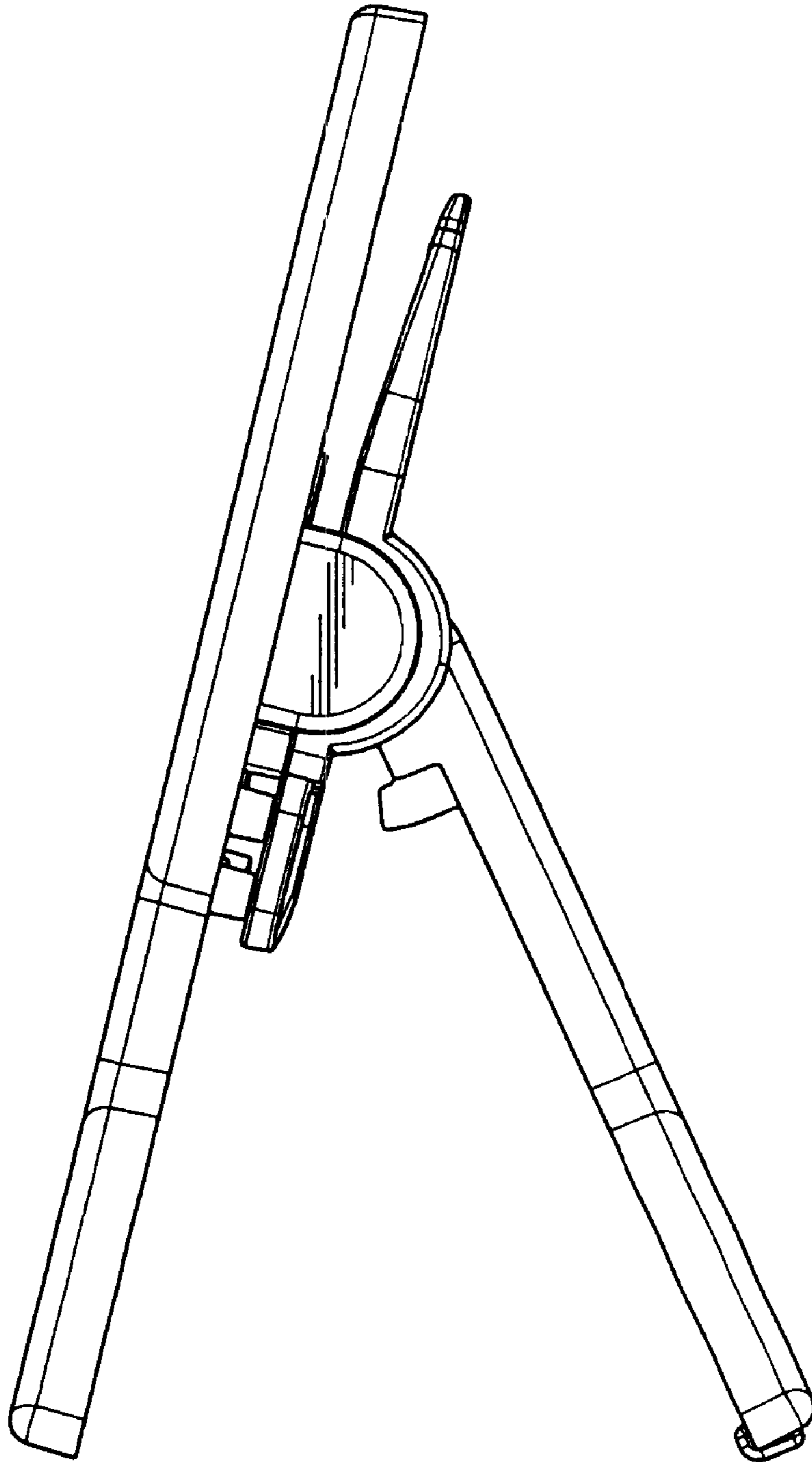


Fig. 7

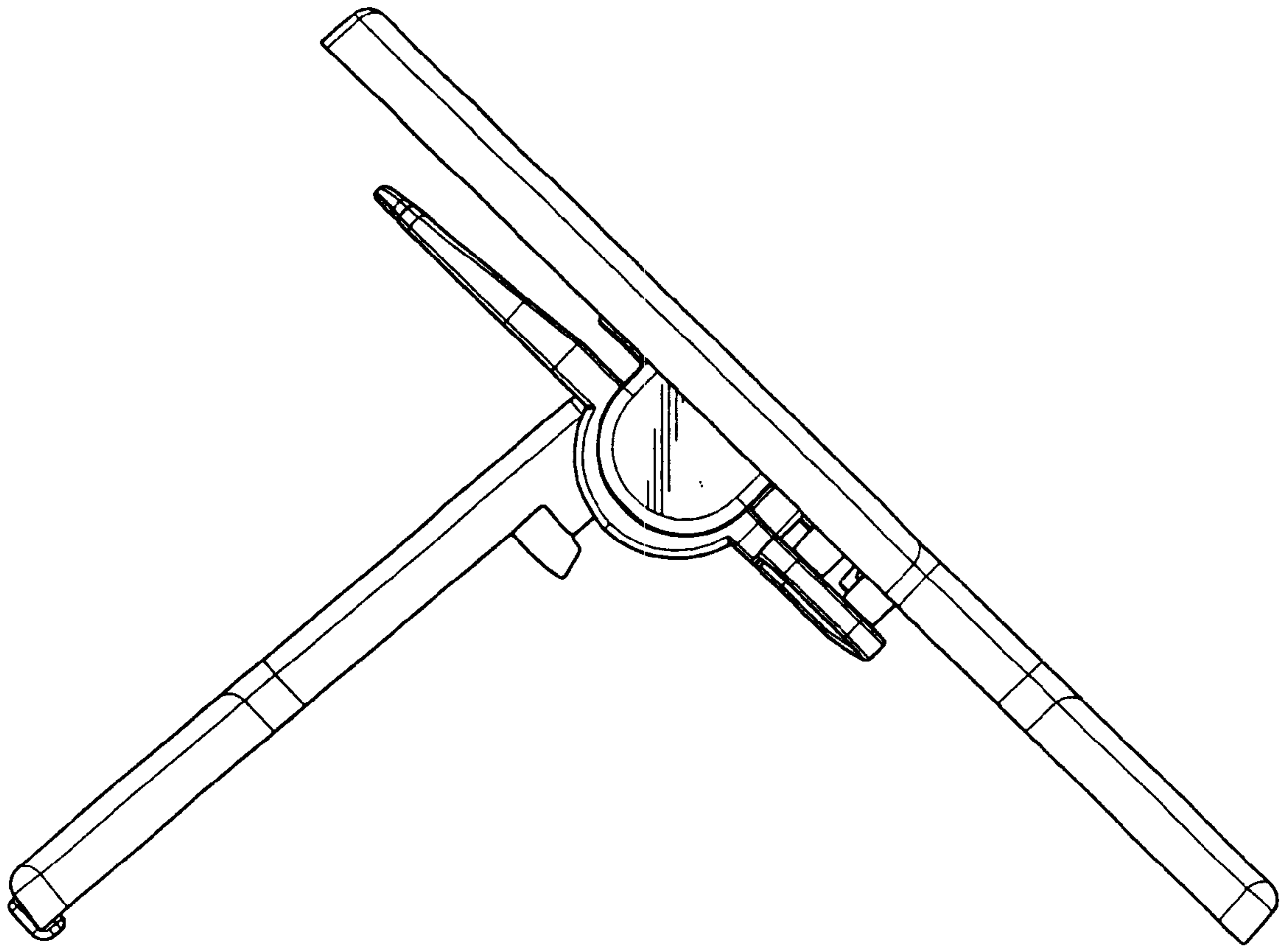


Fig. 8

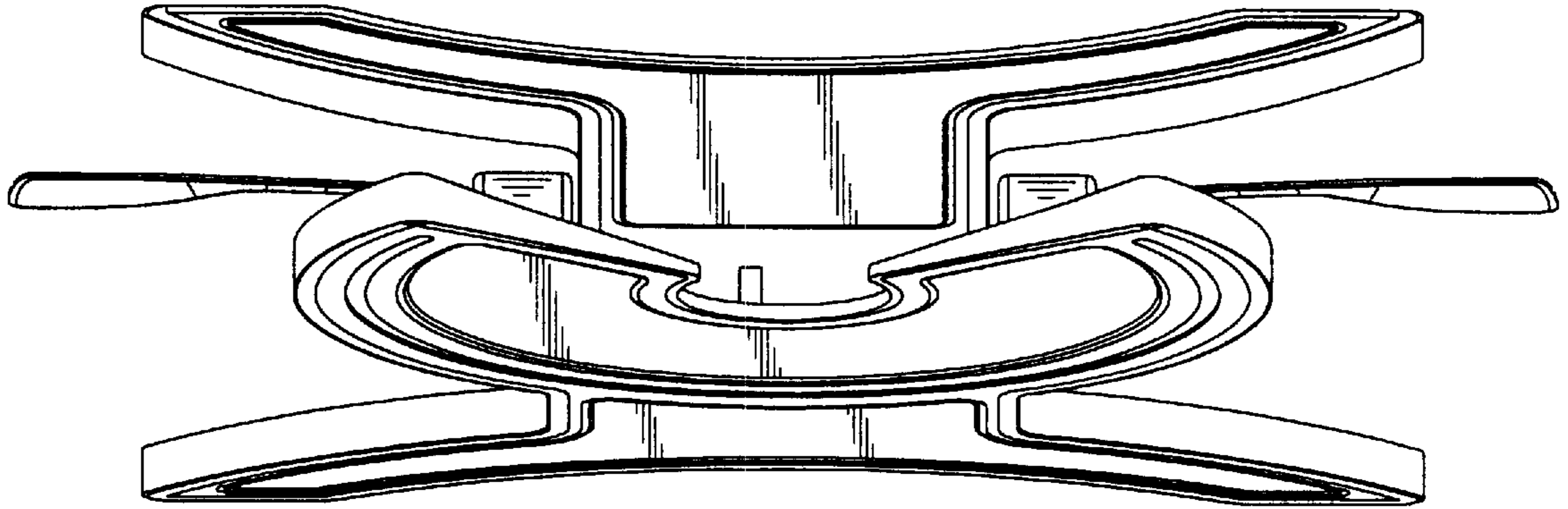


Fig. 9

