



US00D476828S

(12) **United States Design Patent**
Harwanko

(10) **Patent No.:** **US D476,828 S**

(45) **Date of Patent:** **** Jul. 8, 2003**

(54) **MAGAZINE RACK**

D453,640 S * 2/2002 Goodman et al. D6/462
D456,177 S * 4/2002 Walker D6/462

(75) Inventor: **Jeffrey Harwanko**, Wilmington, DE (US)

* cited by examiner

(73) Assignee: **Zenith Products Corp.**, New Castle, DE (US)

Primary Examiner—Cathron C. Brooks
(74) *Attorney, Agent, or Firm*—Edgar A. Zarins; Lloyd D. Doigan

(**) Term: **14 Years**

(57) **CLAIM**

(21) Appl. No.: **29/155,923**

The ornamental design for a magazine rack, as shown and described.

(22) Filed: **Feb. 20, 2002**

(51) **LOC (7) Cl.** **06-04**

(52) **U.S. Cl.** **D6/462; D6/476**

(58) **Field of Search** D6/436, 437, 411, D6/455, 457-469, 454, 524, 546; 108/59, 91, 92, 149, 107, 181; 211/13.1, 85.2, 78, 85.26, 205, 181.1, 182, 189, 34, 37, 186, 187, 133.2

DESCRIPTION

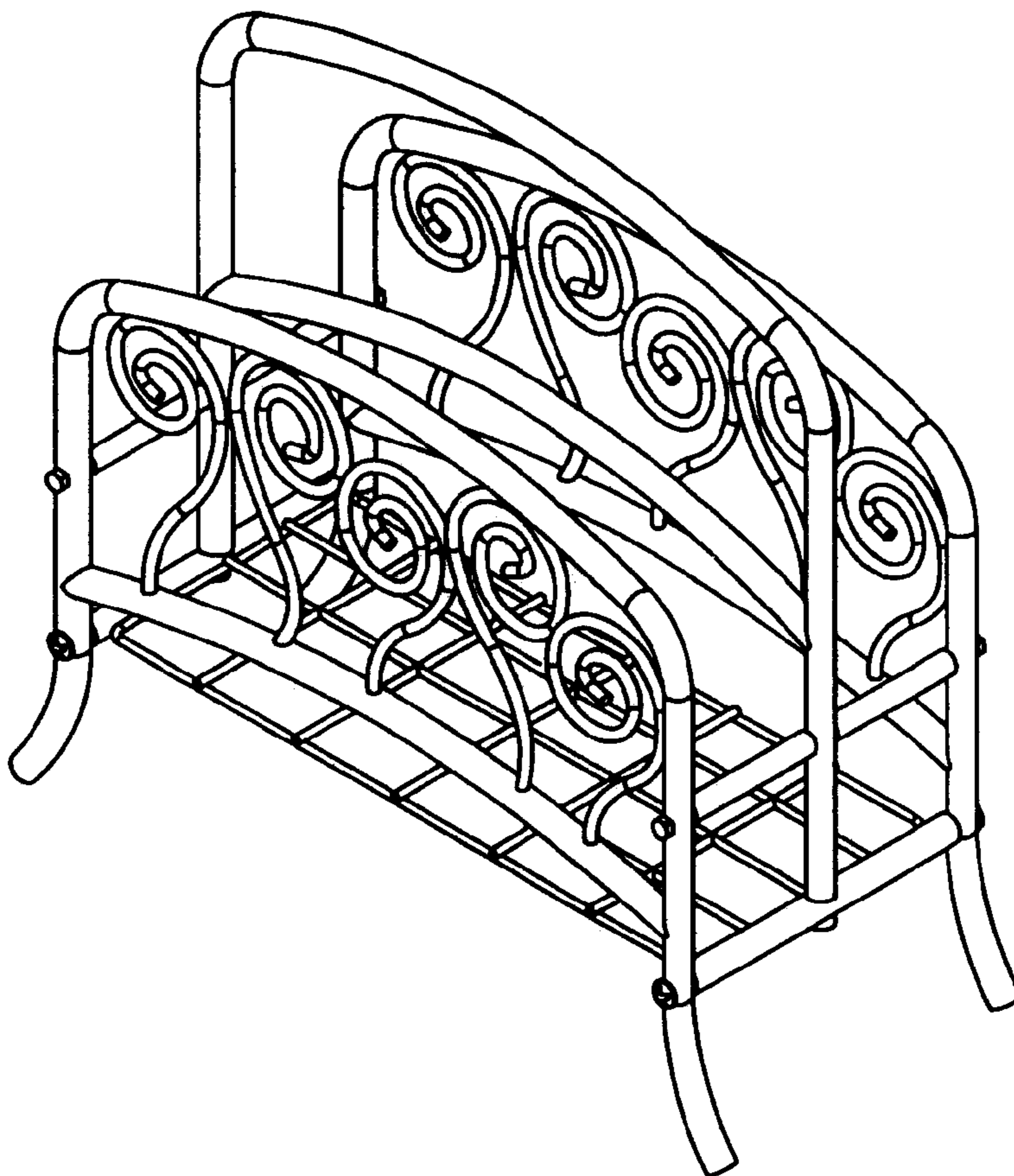
FIG. 1 is a perspective view of a magazine rack showing my new design;
FIG. 2 is a front elevational view thereof, the opposite side being a mirror image thereof;
FIG. 3 is a top plan view thereof; and,
FIG. 4 is an end view thereof, the opposite end being a mirror image thereof.
FIG. 5 is a top plan view thereof; and
FIG. 6 is a bottom plan view thereof.

(56) **References Cited**

U.S. PATENT DOCUMENTS

D316,344 S * 4/1991 Kee D6/462
D436,464 S * 1/2001 Goodman et al. D6/462

1 Claim, 3 Drawing Sheets



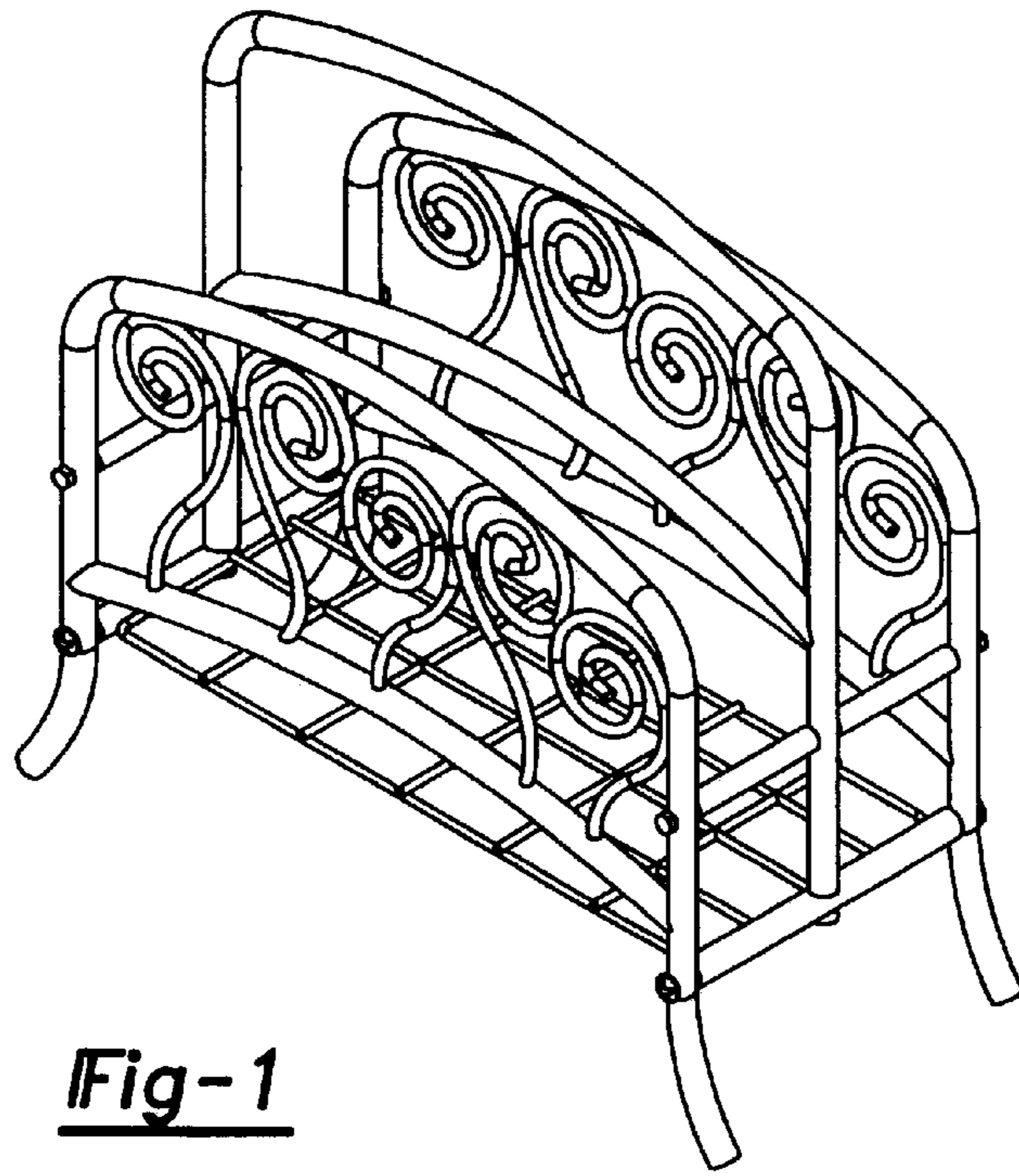


Fig-1

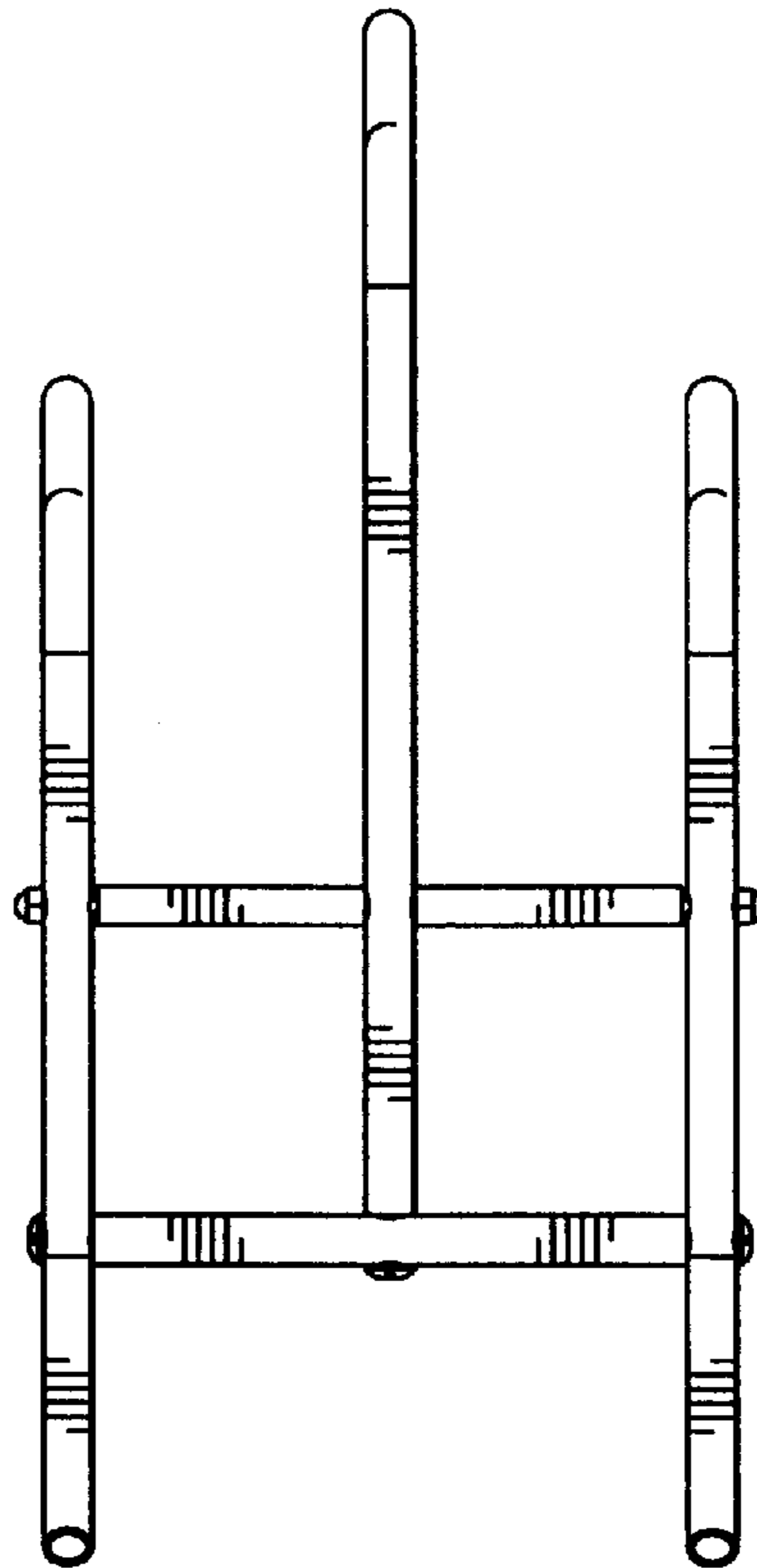


Fig-2

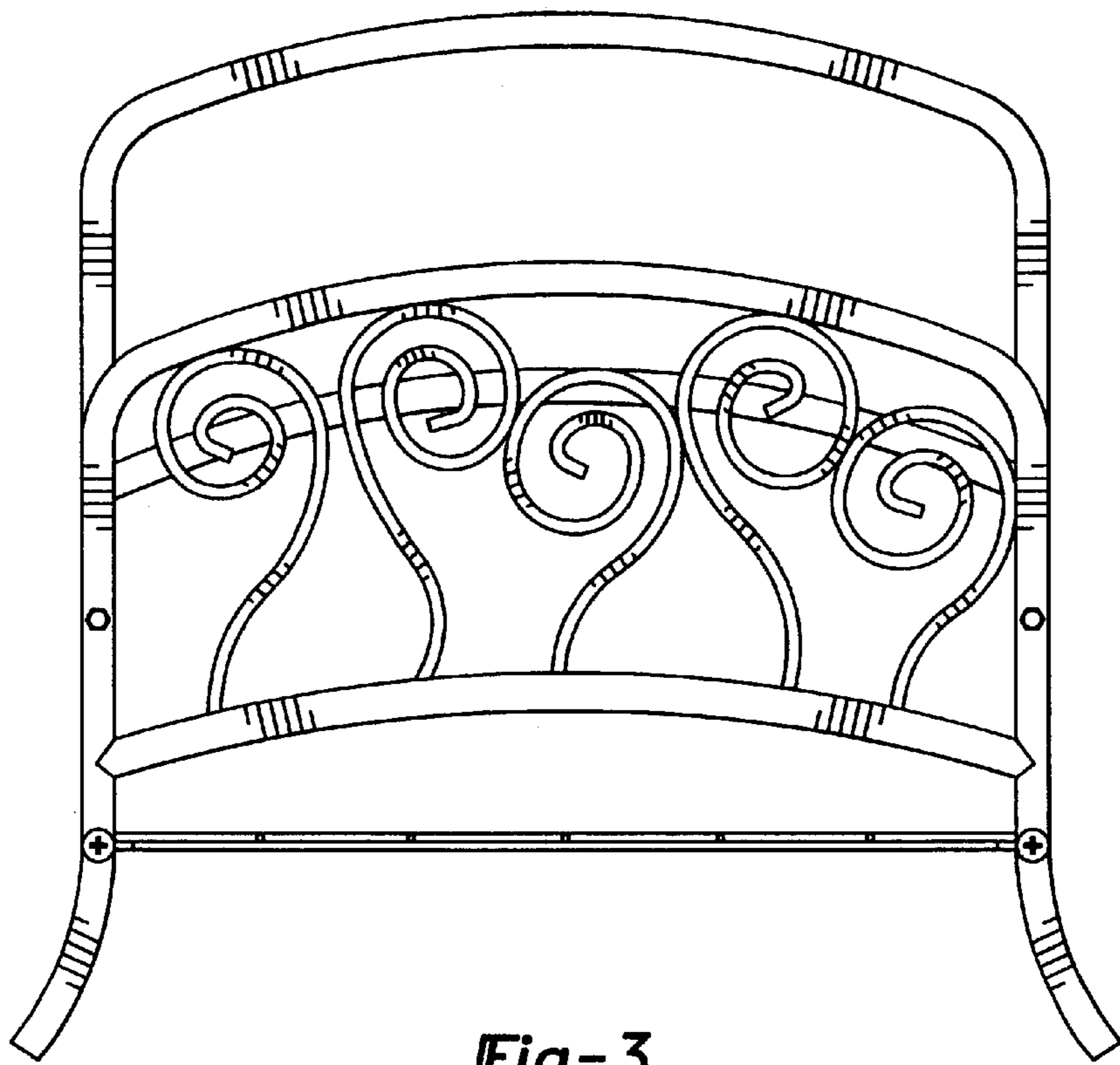


Fig-3

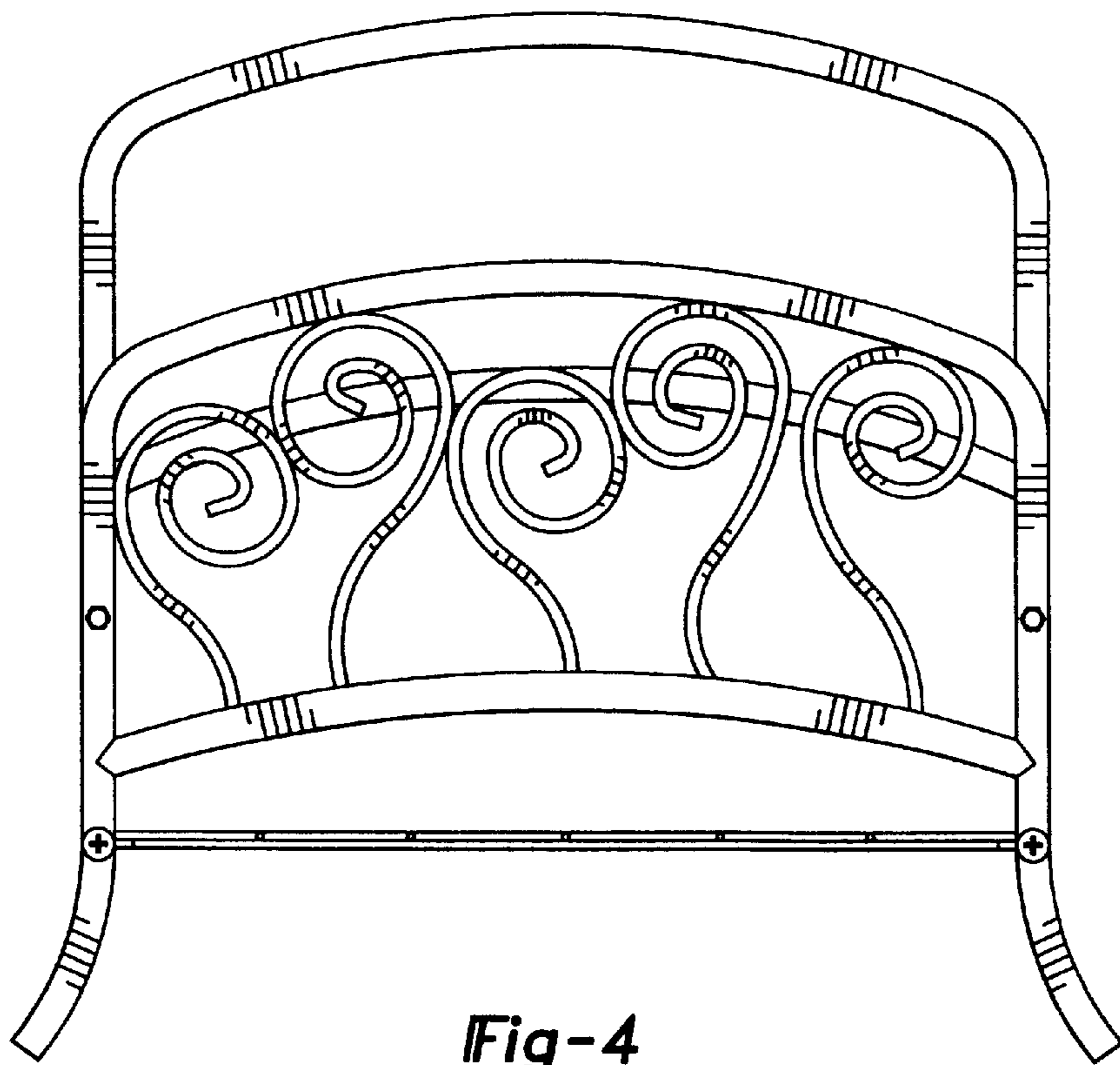


Fig-4

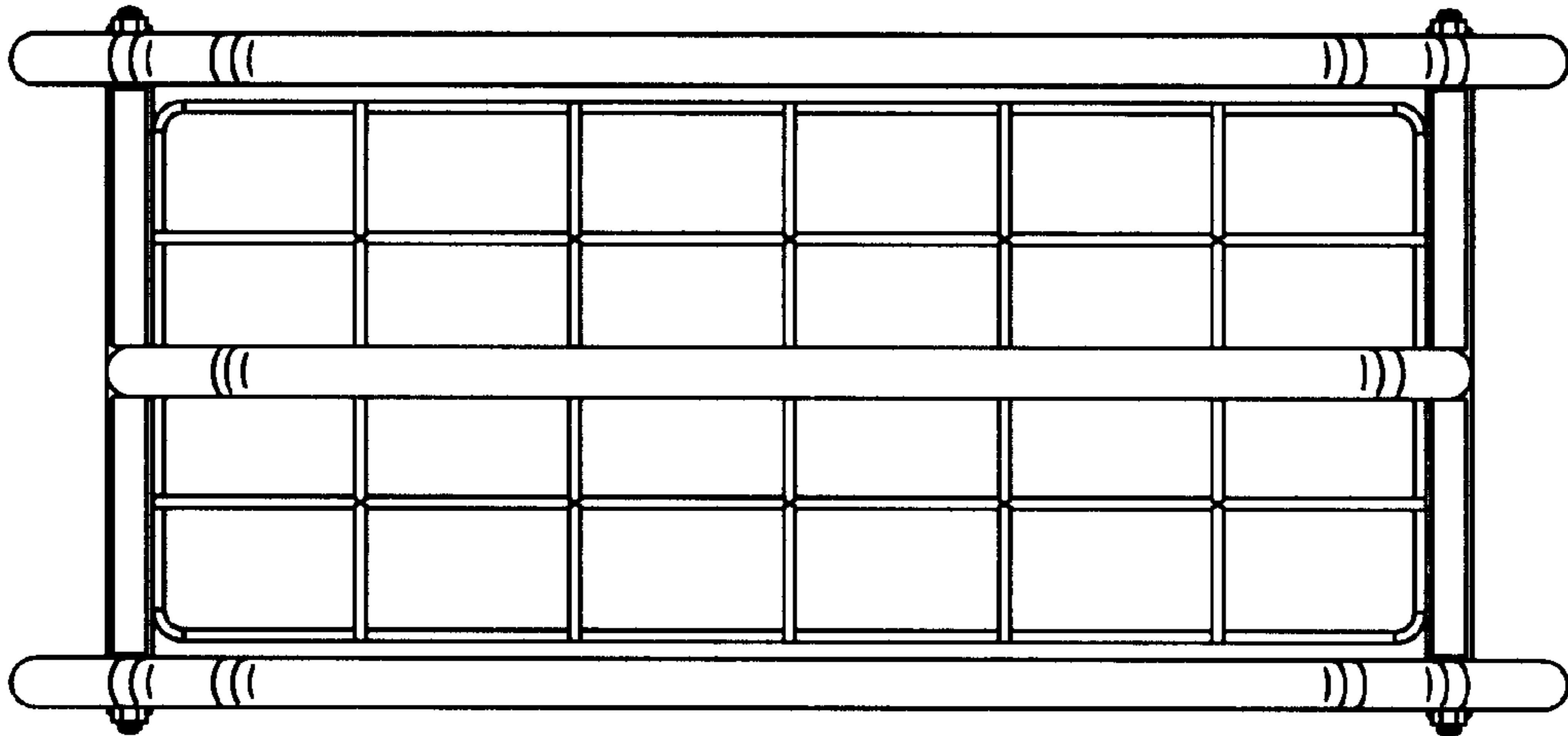


Fig-5

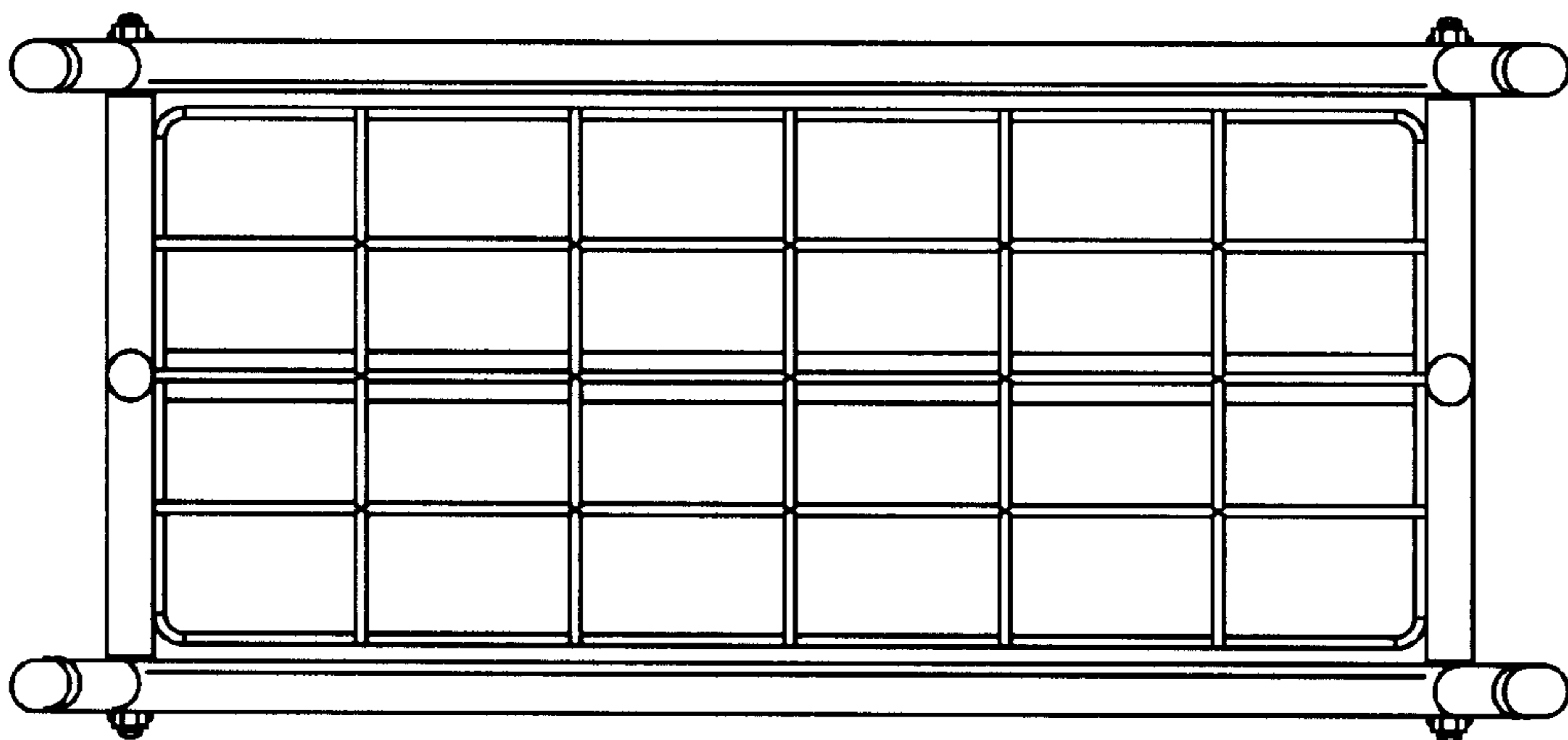


Fig-6