



US00D476824S

(12) **United States Design Patent**
Cockrell et al.

(10) **Patent No.:** **US D476,824 S**

(45) **Date of Patent:** **** Jul. 8, 2003**

(54) **MOVEABLE CABINET FOR HOLDING
COMPUTER SYSTEM COMPONENTS**

D423,817 S * 5/2000 Holcomb et al. D6/445
D437,509 S * 2/2001 Eustace D6/445

(75) Inventors: **William D. Cockrell**, Tualatin, OR
(US); **Steven K. Boicourt**, Hillsboro,
OR (US); **James R. Van Lieu**, Aloha,
OR (US); **Huang M. Nguyen**,
Beaverton, OR (US); **Pilar Calderin**,
Portland, OR (US); **John S. Meyer**,
Hillsboro, OR (US); **Nobuhisa**
Takabayashi, Shiojiri (JP); **Masaru**
Hoshino, Suwa (JP)

* cited by examiner

Primary Examiner—Cathron C. Brooks

(57) **CLAIM**

The ornamental design for a moveable cabinet for holding computer system components, substantially as shown and described.

DESCRIPTION

(73) Assignee: **Seiko Epson Corporation**, Tokyo (JP)

(**) Term: **14 Years**

(21) Appl. No.: **29/164,829**

(22) Filed: **Jul. 31, 2002**

(51) **LOC (7) Cl.** **06-04**

(52) **U.S. Cl.** **D6/436**

(58) **Field of Search** D6/432, 436, 441,
D6/445, 446, 477-479; 211/85.8; 312/7.2,
204, 249.8, 223.1

FIG. 1 is a perspective view of a moveable cabinet for holding computer system components showing the new design.

FIG. 2 is a front elevation thereof.

FIG. 3 is a rear elevation thereof.

FIG. 4 is a right side elevation thereof.

FIG. 5 is a top thereof; and,

FIG. 6 is a bottom view thereof.

The broken lines shown are for illustrative purposes only and form no part of the claimed design.

(56) **References Cited**

U.S. PATENT DOCUMENTS

D299,090 S * 12/1988 Roegner D6/436

1 Claim, 3 Drawing Sheets

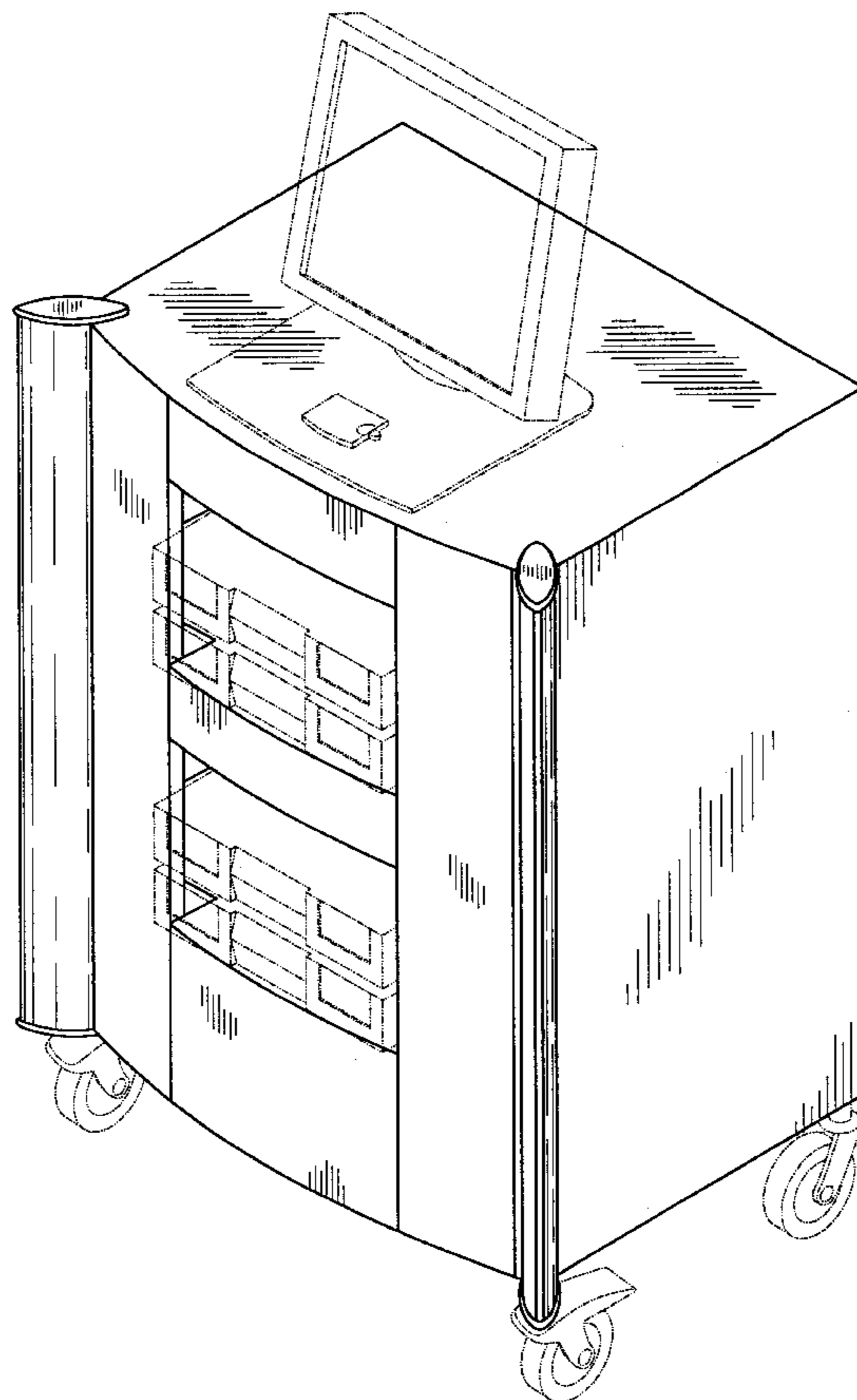


Fig. 1

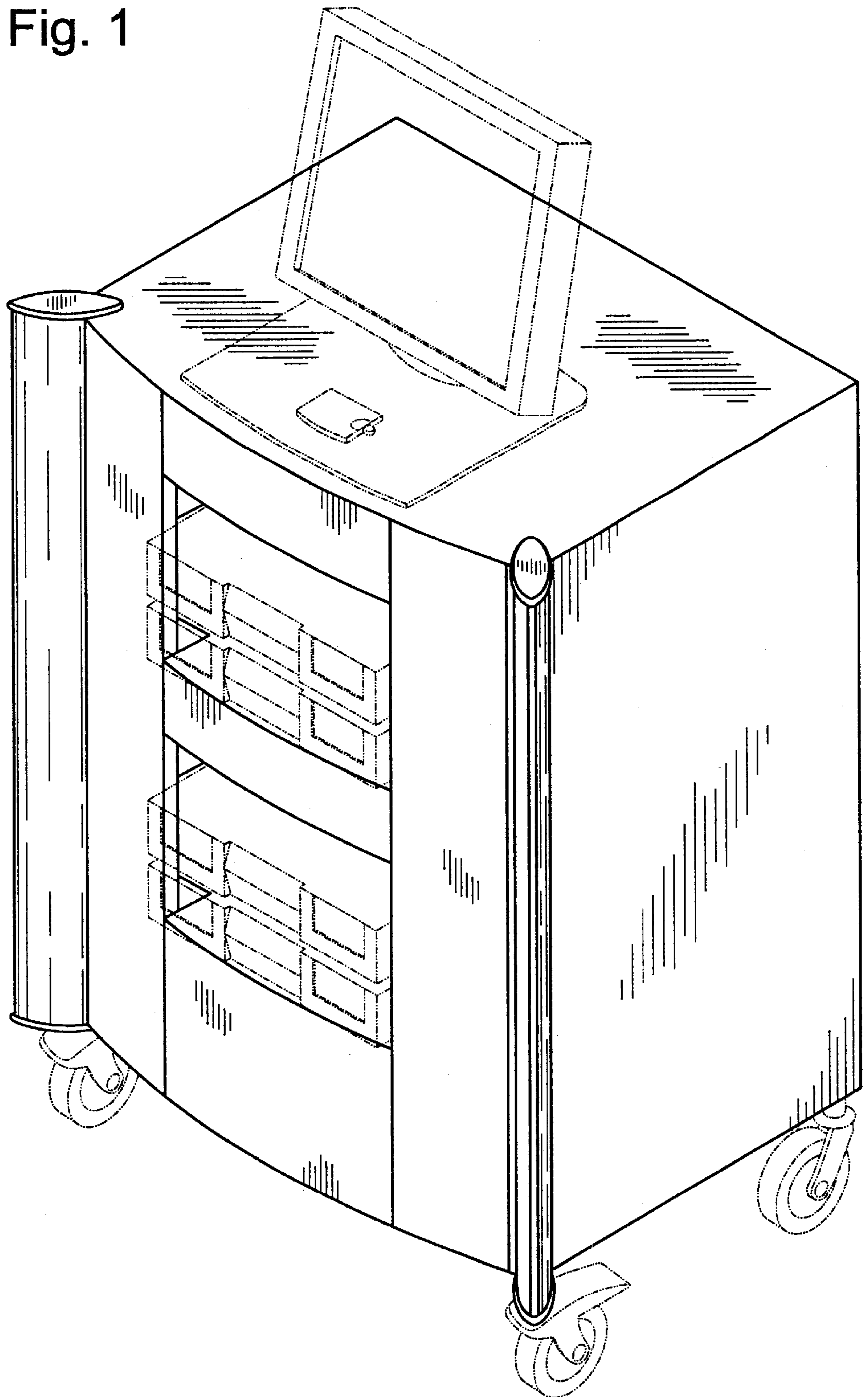


Fig. 3

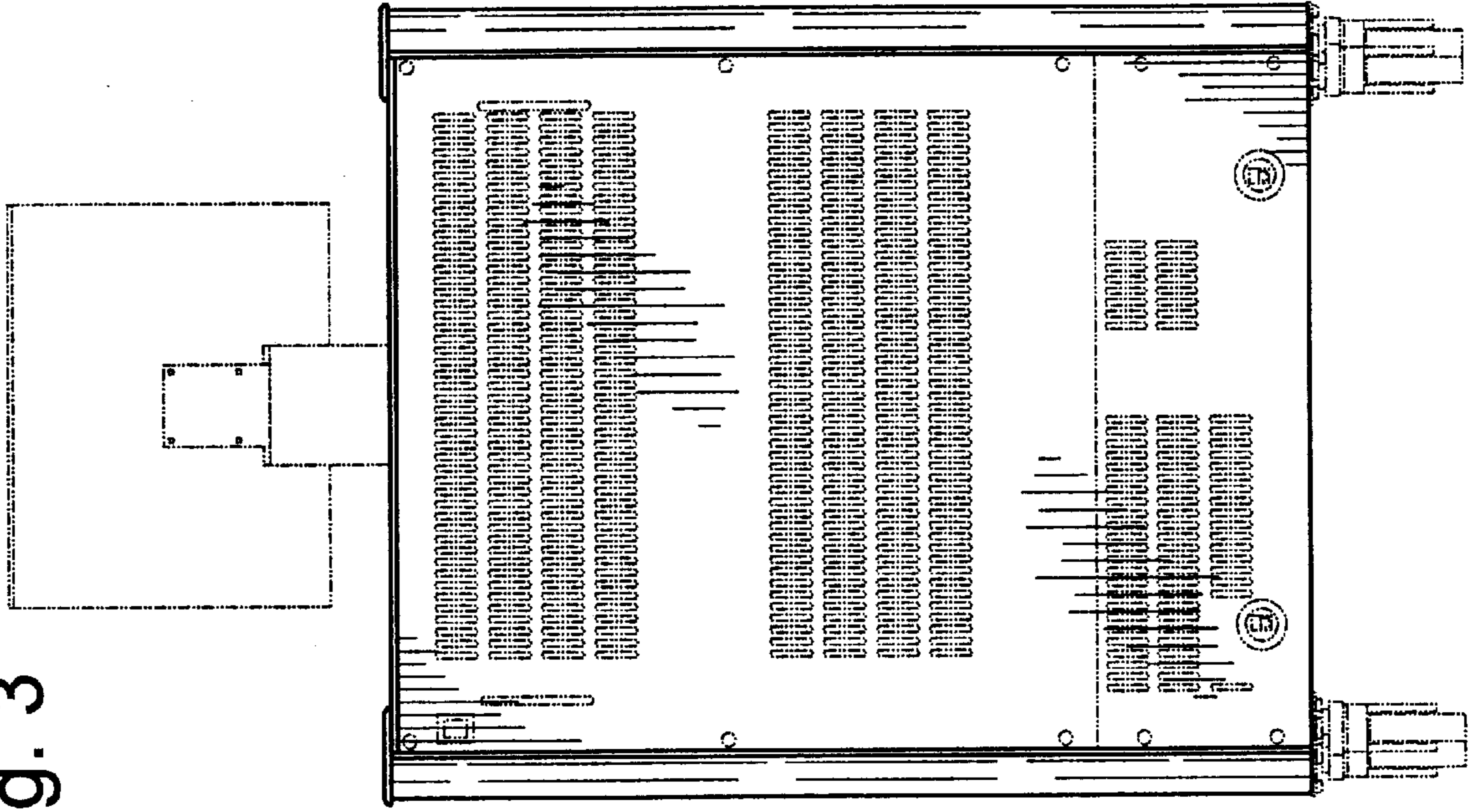


Fig. 2

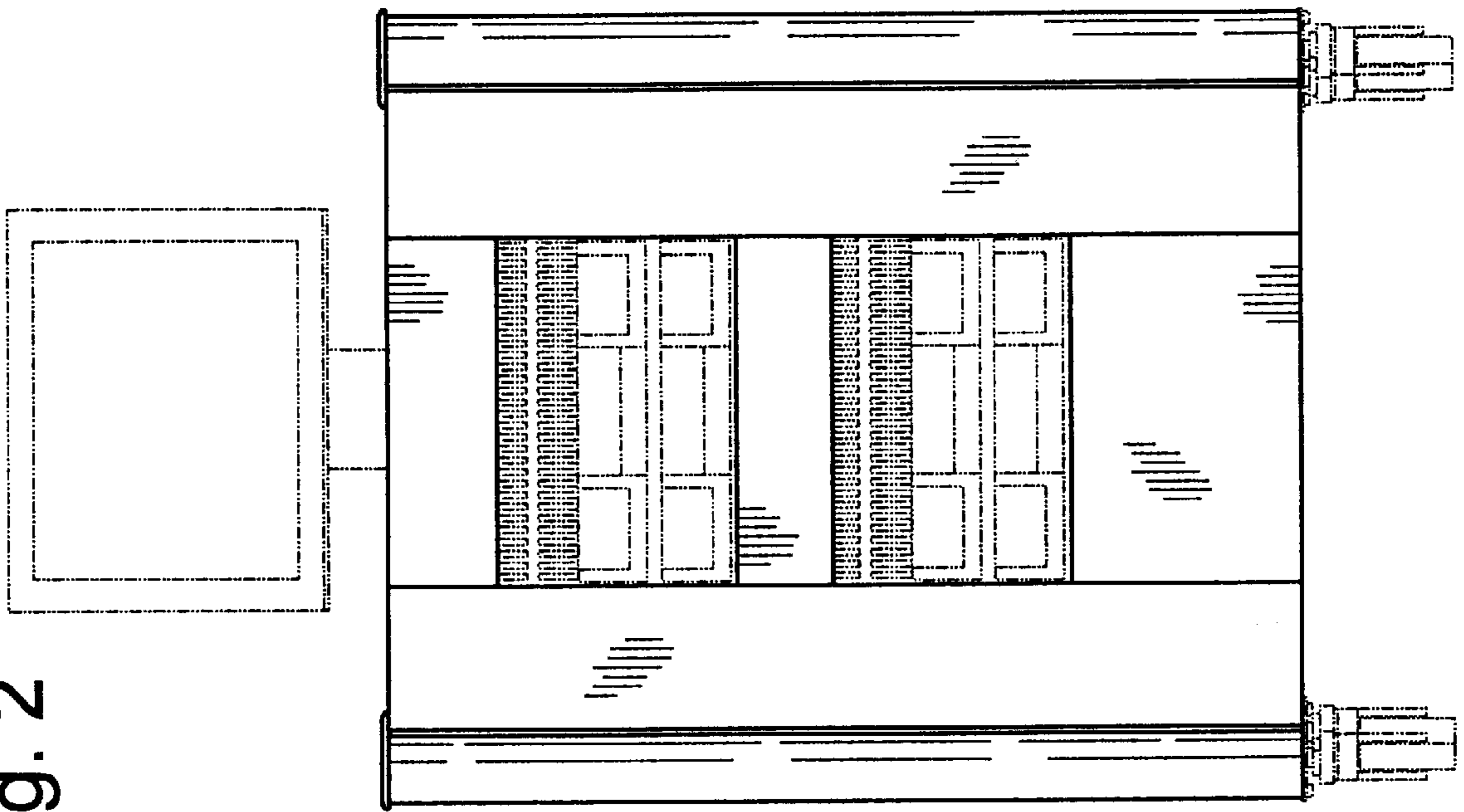


Fig. 4

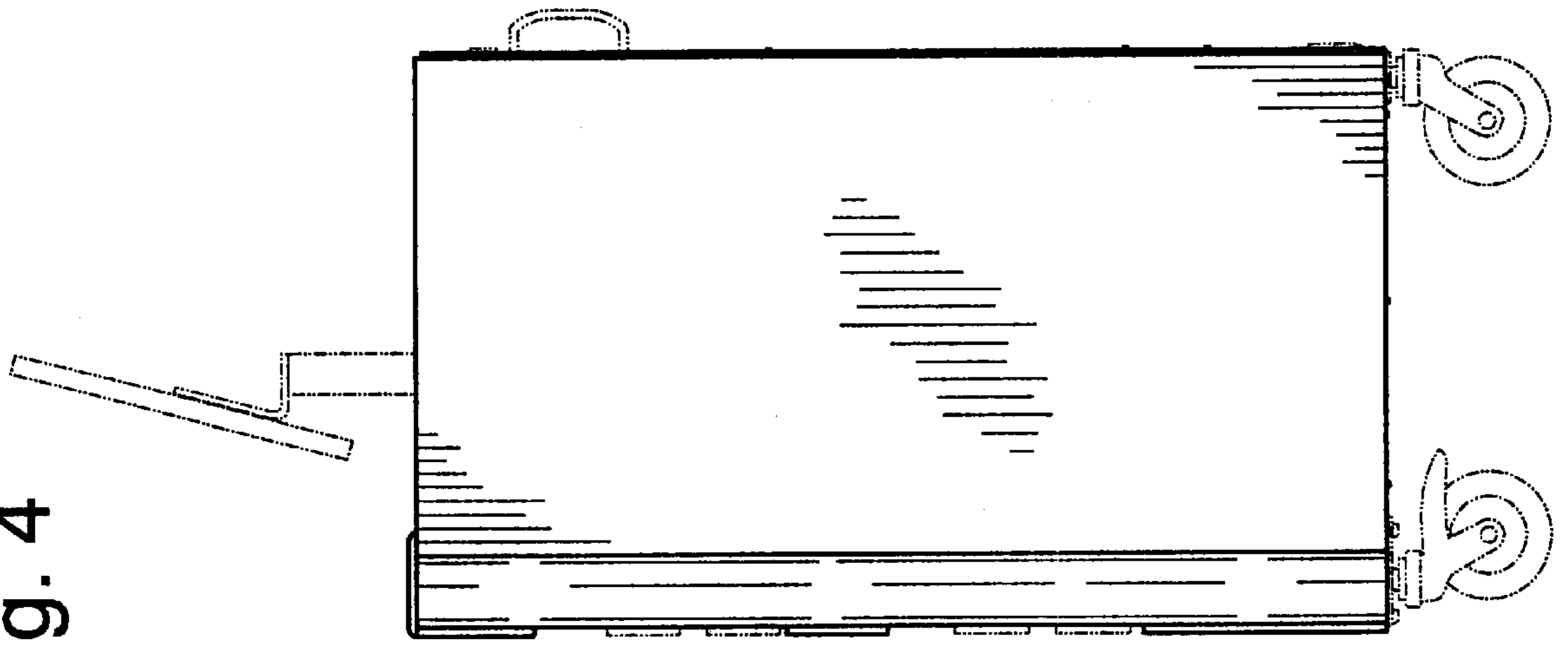


Fig. 5

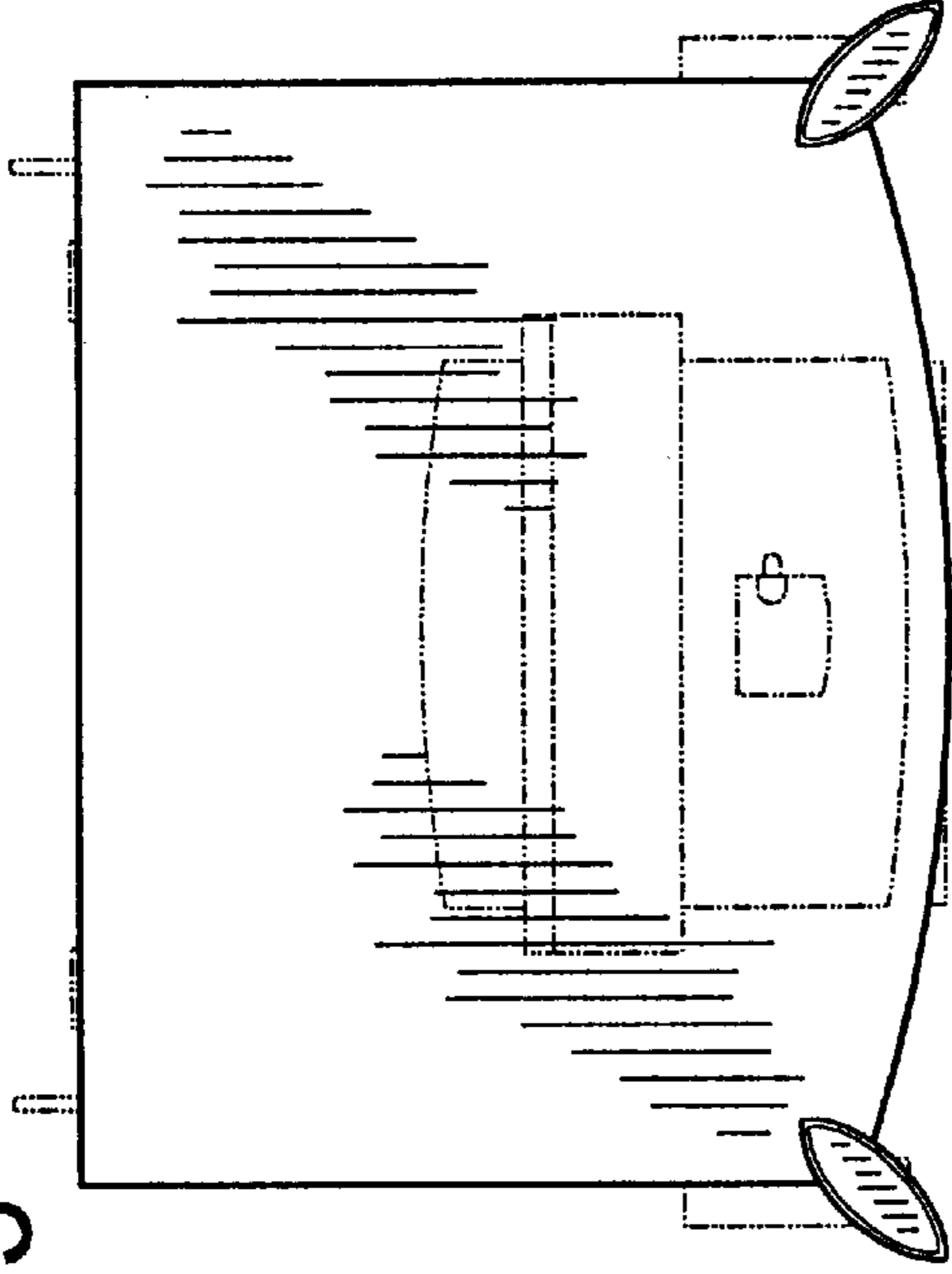


Fig. 6

