



US00D476823S

(12) **United States Design Patent**  
**Jackson**

(10) **Patent No.:** **US D476,823 S**

(45) **Date of Patent:** **\*\* Jul. 8, 2003**

(54) **BANQUET TABLE**

5,865,128 A \* 2/1999 Tarnay ..... 108/133  
D414,626 S \* 10/1999 Collins et al. .... D6/429

(75) Inventor: **Steven Jackson**, Woodbridge (CA)

**OTHER PUBLICATIONS**

(73) Assignee: **Royal Alliance Inc.**, Woodbridge (CA)

Factory Direct Furniture, Apr. 26, 1995, p. 50, table at bottom left.\*

(\*\*) Term: **14 Years**

\* cited by examiner

(21) Appl. No.: **29/164,886**

*Primary Examiner*—Janice E. Seeger

(22) Filed: **Aug. 2, 2002**

(51) **LOC (7) Cl.** ..... **06-03**

(57) **CLAIM**

(52) **U.S. Cl.** ..... **D6/429; D6/480; D6/487**

The ornamental design for a banquet table, as shown and described.

(58) **Field of Search** ..... D6/480–489, 429–431,  
D6/495, 499; 108/153, 155, 156, 157.1,  
161, 124–126, 115, 127, 130, 131; 248/188,  
188.1, 188.8

**DESCRIPTION**

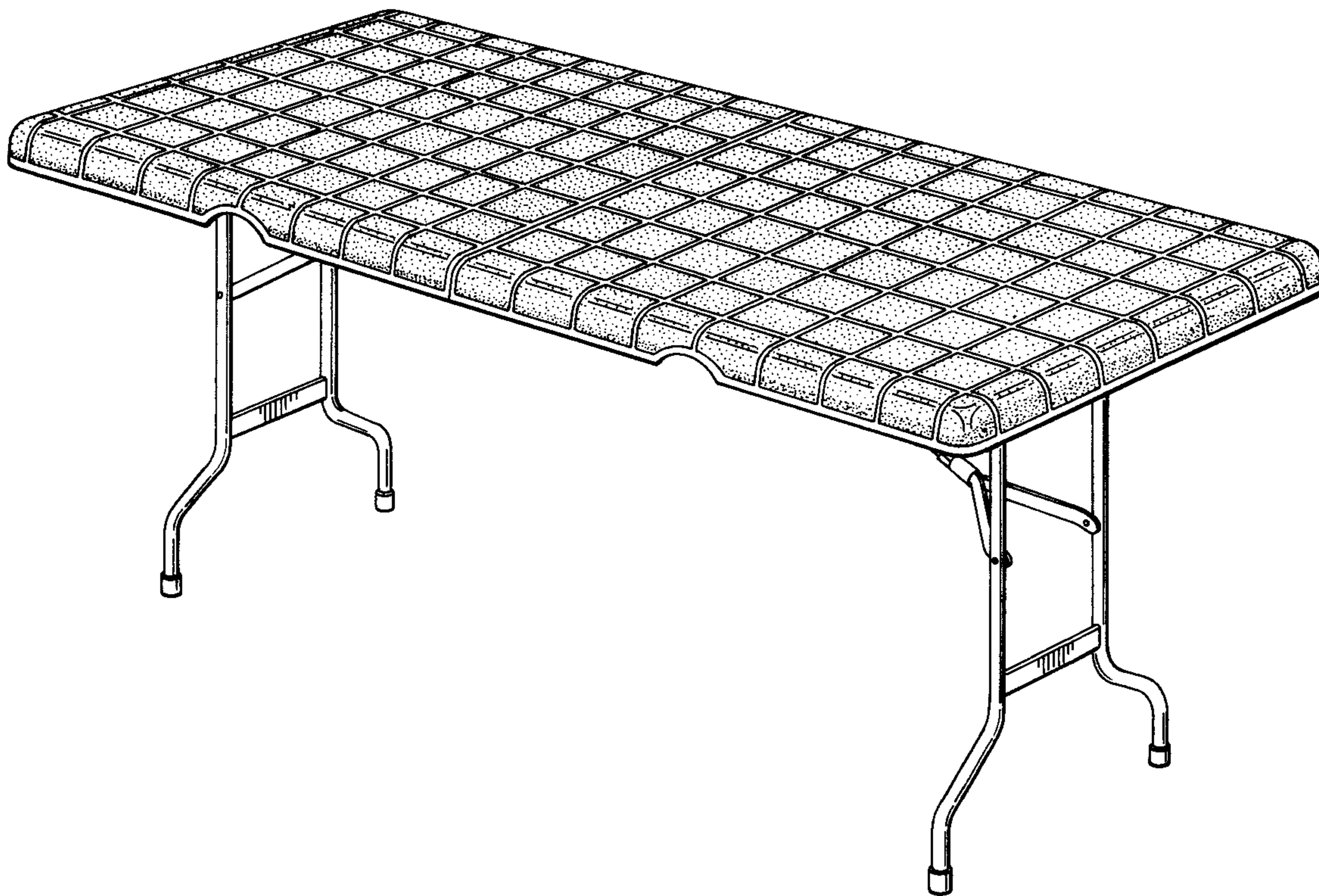
(56) **References Cited**

FIG. 1 is a perspective view of the banquet table to which the design is applied;  
FIG. 2 is a bottom perspective view of the banquet table of FIG. 1; and,  
FIGS. 3 through 6 are top, side, end and bottom views of the banquet table of FIG. 1.

**U.S. PATENT DOCUMENTS**

2,689,158 A \* 9/1954 Mahr ..... 108/131  
4,951,576 A \* 8/1990 Cobos et al. .... 108/131  
D350,862 S \* 9/1994 Beller ..... D6/429  
D358,278 S \* 5/1995 Goodwin ..... D6/449

**1 Claim, 6 Drawing Sheets**



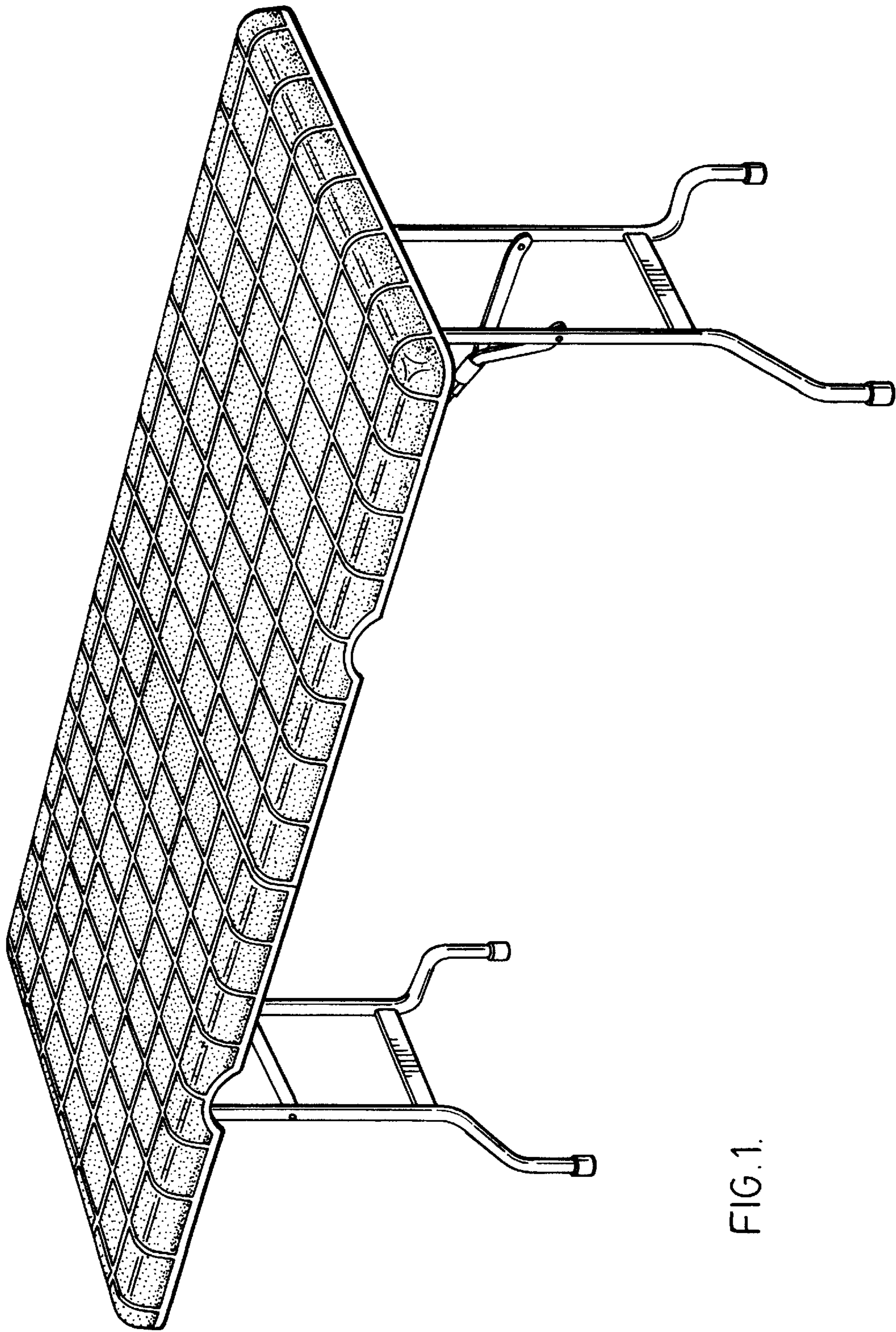
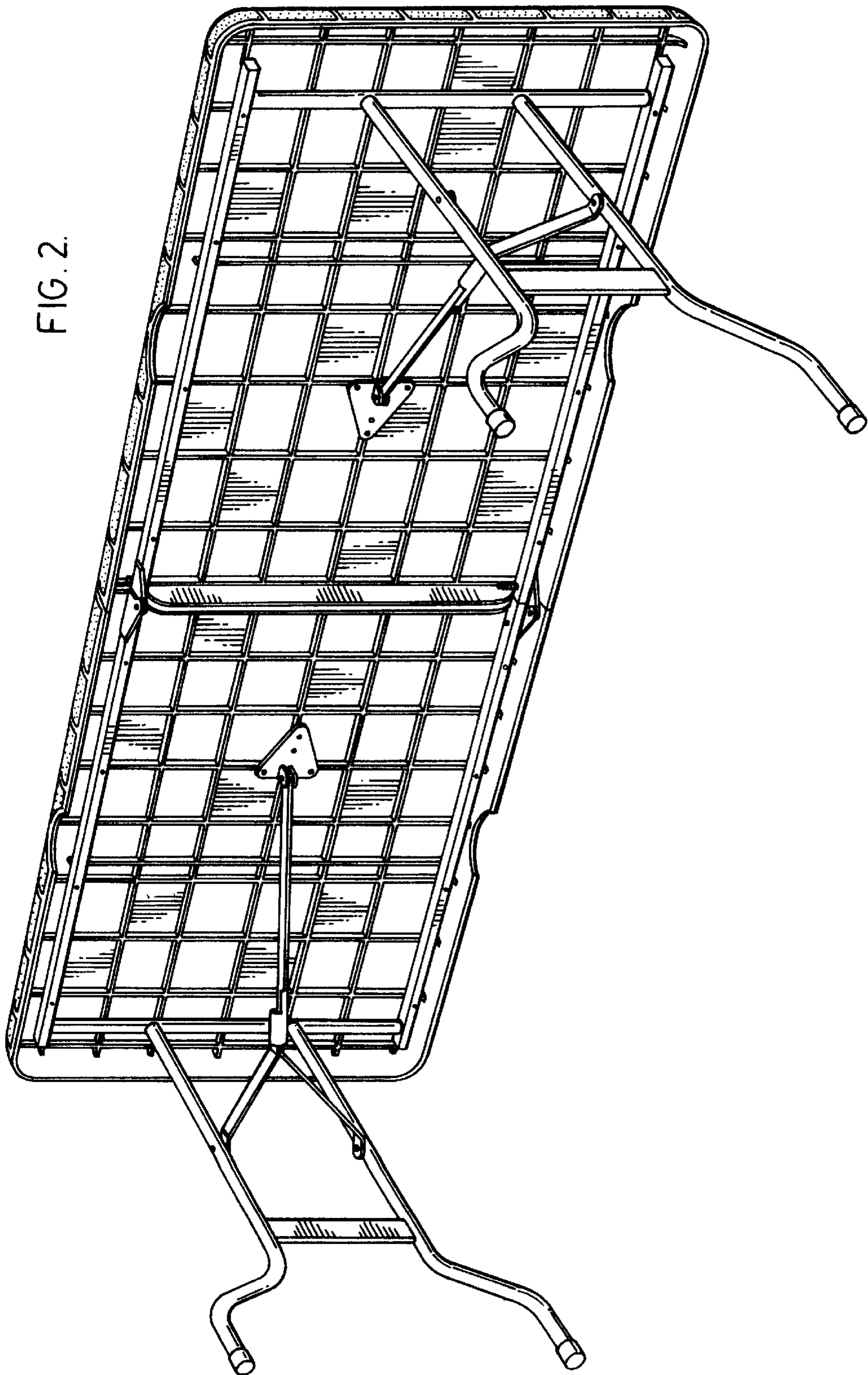


FIG. 1.

FIG. 2.



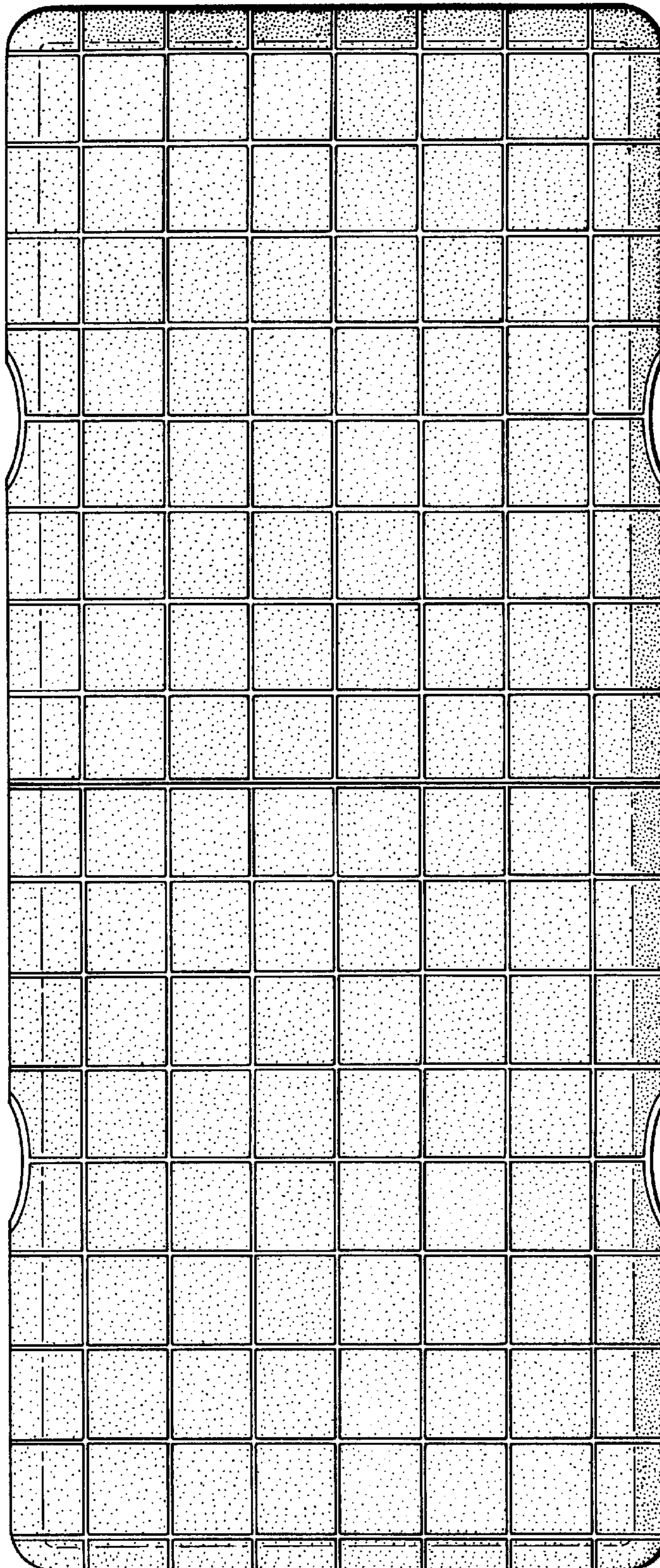
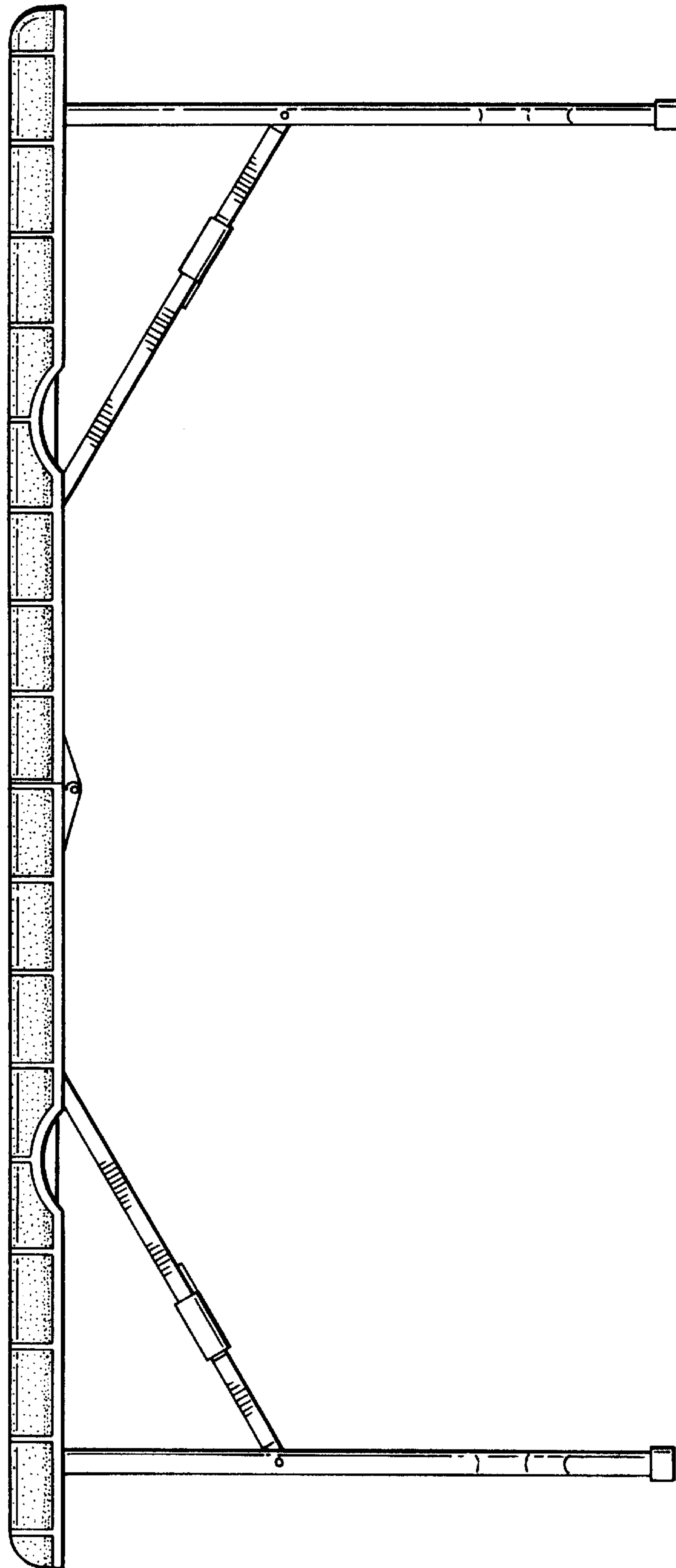


FIG. 3.

FIG. 4.



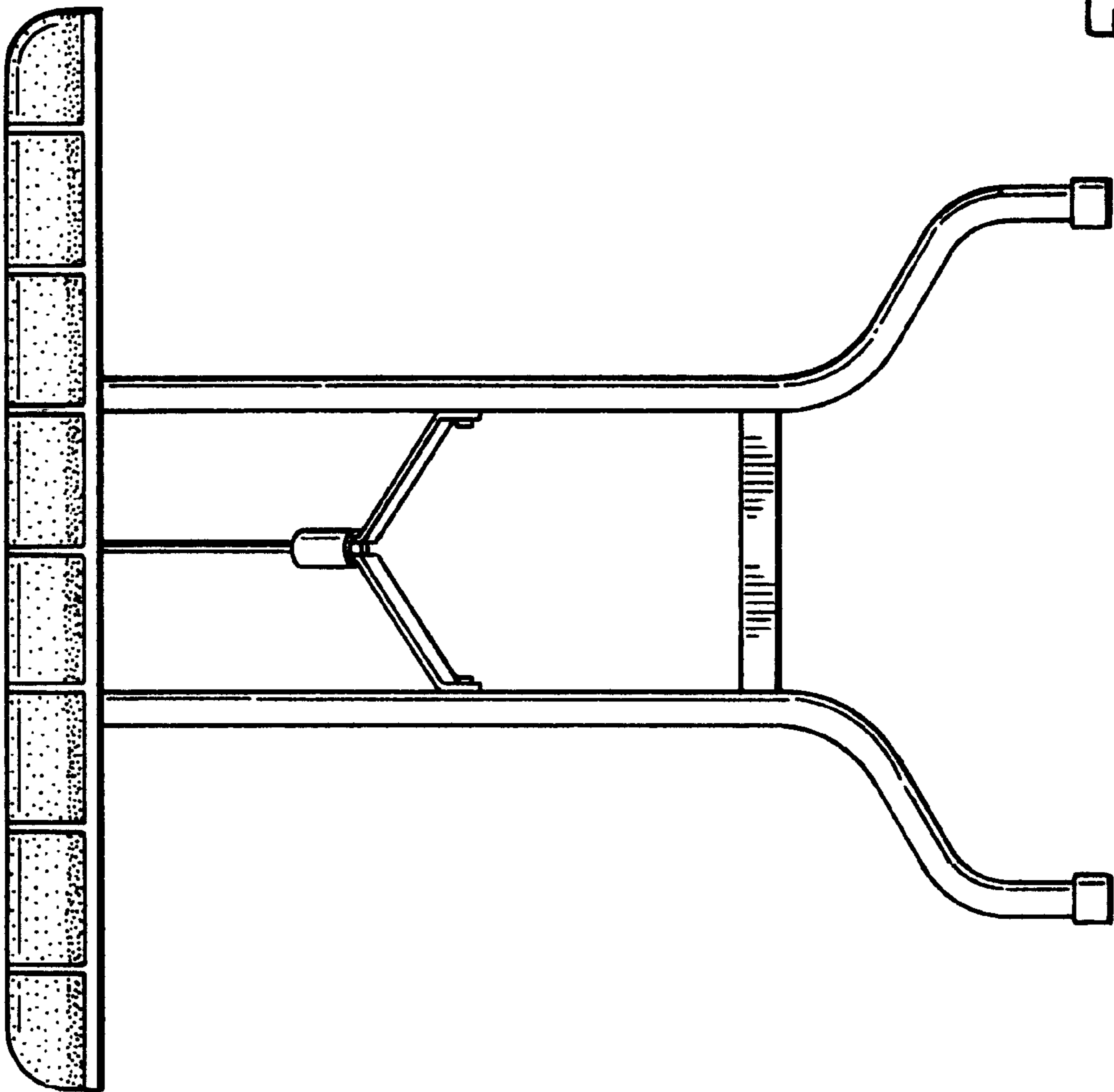


FIG. 5.

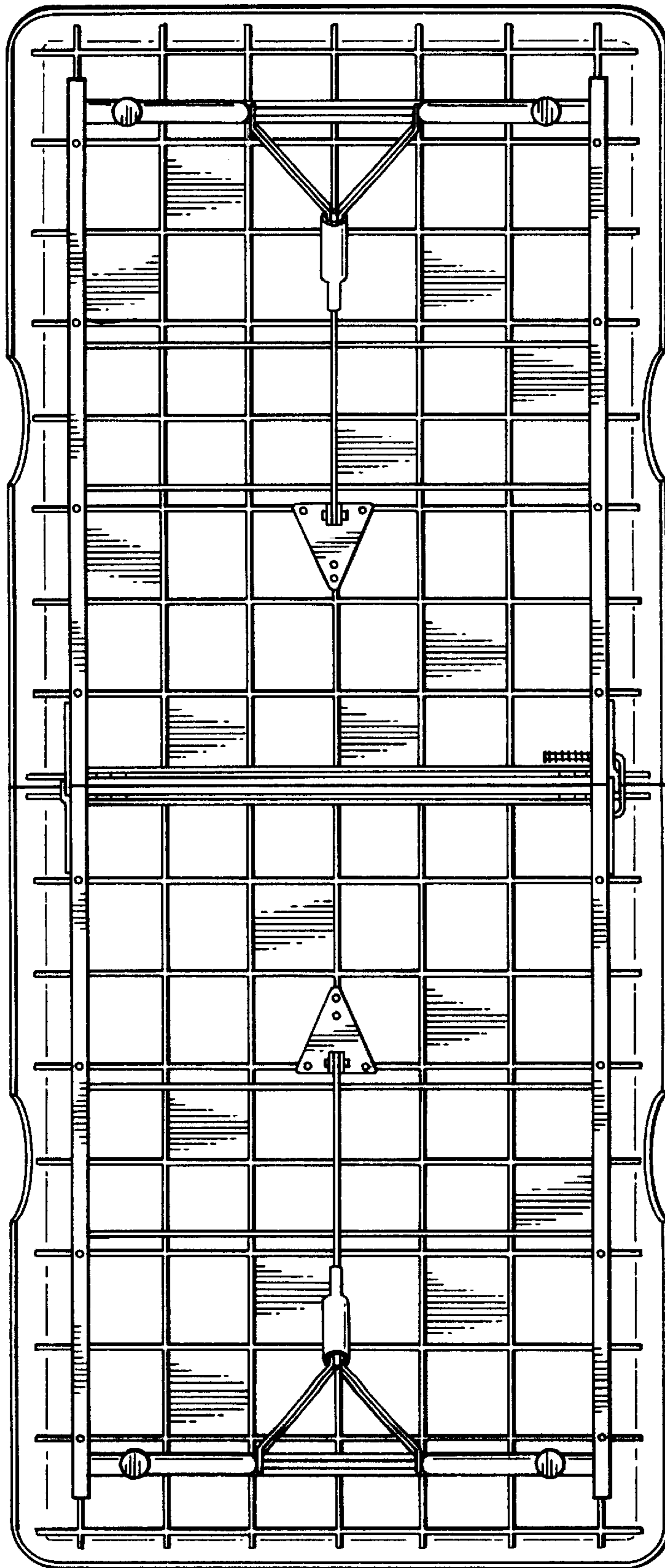


FIG. 6.