



US00D476820S

(12) **United States Design Patent**  
**Nagamitsu**

(10) **Patent No.: US D476,820 S**

(45) **Date of Patent: \*\* Jul. 8, 2003**

(54) **CHAIR**

(75) Inventor: **Satoshi Nagamitsu**, Higashiyamoto (JP)

(73) Assignee: **Okamura Corporation**, Kanagawa-ken (JP)

(\*\*) Term: **14 Years**

(21) Appl. No.: **29/140,827**

(22) Filed: **Apr. 24, 2001**

(30) **Foreign Application Priority Data**

Nov. 1, 2000 (JP) ..... 2000-031197

(51) **LOC (7) Cl. .... 06-01**

(52) **U.S. Cl. .... D6/366**

(58) **Field of Search** ..... D6/334, 364, 365,  
D6/366, 367, 500, 501, 502; 297/411.2,  
411.27, 411.36

(56) **References Cited**

**U.S. PATENT DOCUMENTS**

D312,536 S	*	12/1990	Muller-Deisig et al. ....	D6/366
D337,666 S		7/1993	Peterson et al. ....	D6/366
D349,621 S		8/1994	Wilson .....	D6/501
D354,178 S		1/1995	Ochsner .....	D6/366
D355,303 S		2/1995	Scheper et al. ....	D6/366
D357,130 S	*	4/1995	Schultz .....	D6/366
5,405,190 A		4/1995	Jeffcoat et al. ....	297/391
D358,064 S		5/1995	Larkin .....	D6/366
D358,944 S		6/1995	Citterio .....	D6/366
5,452,939 A		9/1995	Kupisz et al. ....	297/391
D363,383 S	*	10/1995	Cronk .....	D6/366
D367,980 S		3/1996	Hodge et al. ....	D6/500
D372,799 S		8/1996	Orians et al. ....	D6/366
D373,695 S	*	9/1996	Buffon .....	D6/500
D379,408 S		5/1997	Feldberg .....	D6/366
D379,567 S		6/1997	Grivet .....	D6/500
D395,762 S		7/1998	Saul .....	D6/366
D397,258 S	*	8/1998	Heyder et al. ....	D6/366
D403,520 S	*	1/1999	Wilson .....	D6/366
D407,576 S		4/1999	Ritch et al. ....	D6/500
D408,181 S		4/1999	Ginat .....	D6/500

D410,151 S	*	5/1999	Chu .....	D6/366
D411,063 S		6/1999	Ginat .....	D6/500
5,934,755 A		8/1999	Halamish .....	297/410
D414,349 S		9/1999	Jenkins et al. ....	D6/366
D417,101 S		11/1999	DeSanta et al. ....	D6/500
D417,102 S		11/1999	Vanderwood et al. ....	D6/500
D417,792 S		12/1999	Hansen et al. ....	D6/366
D418,316 S		1/2000	Vogtherr .....	D6/366
D421,861 S		3/2000	Ginat .....	D6/500

(List continued on next page.)

**OTHER PUBLICATIONS**

Adjustable headrest, B, p. 7, Modern Office catalog, May 1997.

Satoshi Nagamitsu, Chair, Design Patent Application, Ser. No. 29/122,832, filed May 4, 2000, (10 pages).

*Primary Examiner*—Gary D. Watson

(74) *Attorney, Agent, or Firm*—Henricks, Slavin & Holmes LLP

(57) **CLAIM**

The ornamental design for a chair, as shown and described.

**DESCRIPTION**

This application is related to concurrently filed design applications, Ser. Nos. 29/140,830 and 29/140,828.

FIG. 1 is a front elevational view of a chair showing my new design;

FIG. 2 is a top plan view thereof;

FIG. 3 is a rear elevational view thereof;

FIG. 4 is a bottom plan view thereof;

FIG. 5 is a right side elevational view thereof;

FIG. 6 is a vertical sectional right side view taken along the line 6—6 FIG. 1;

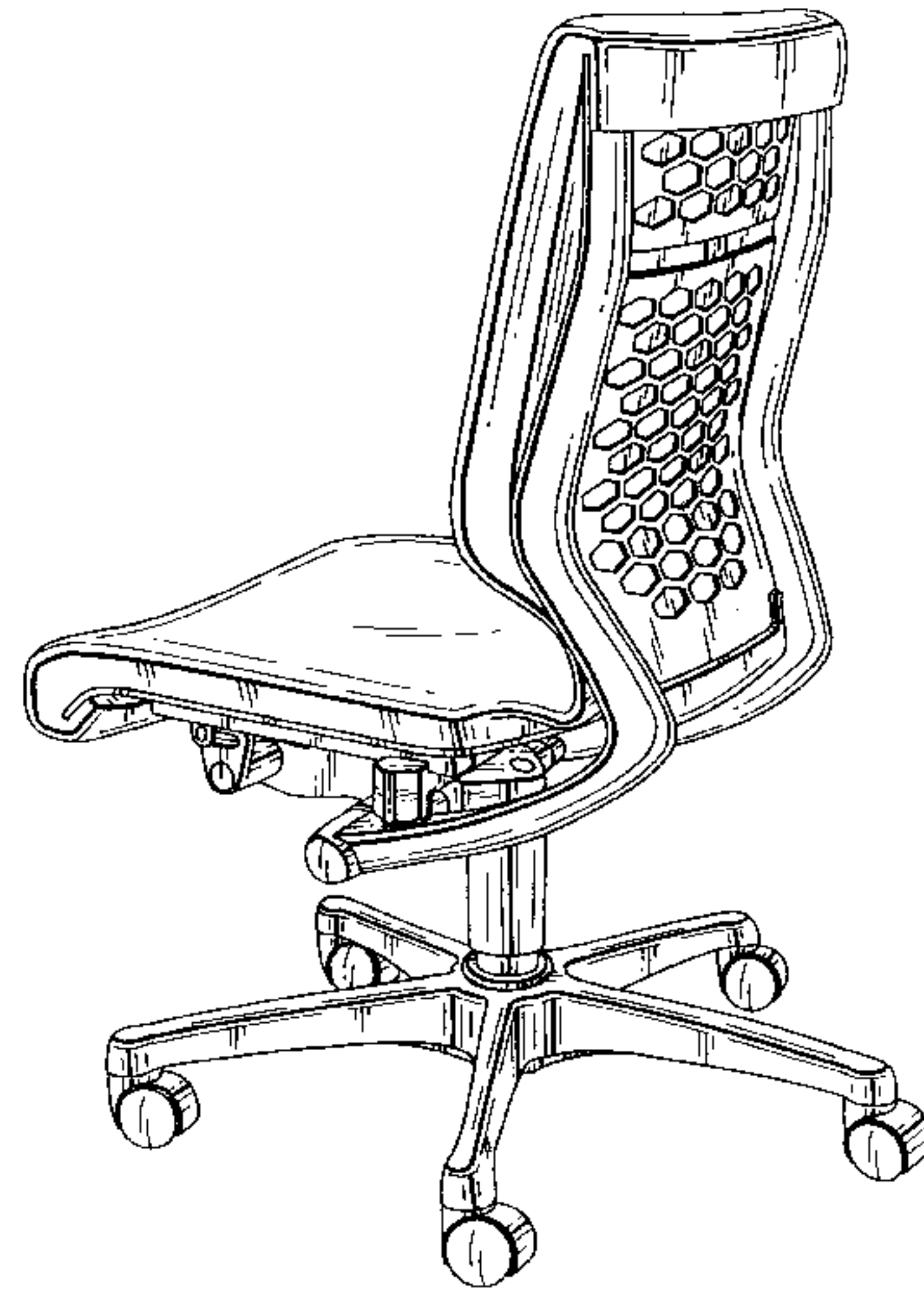
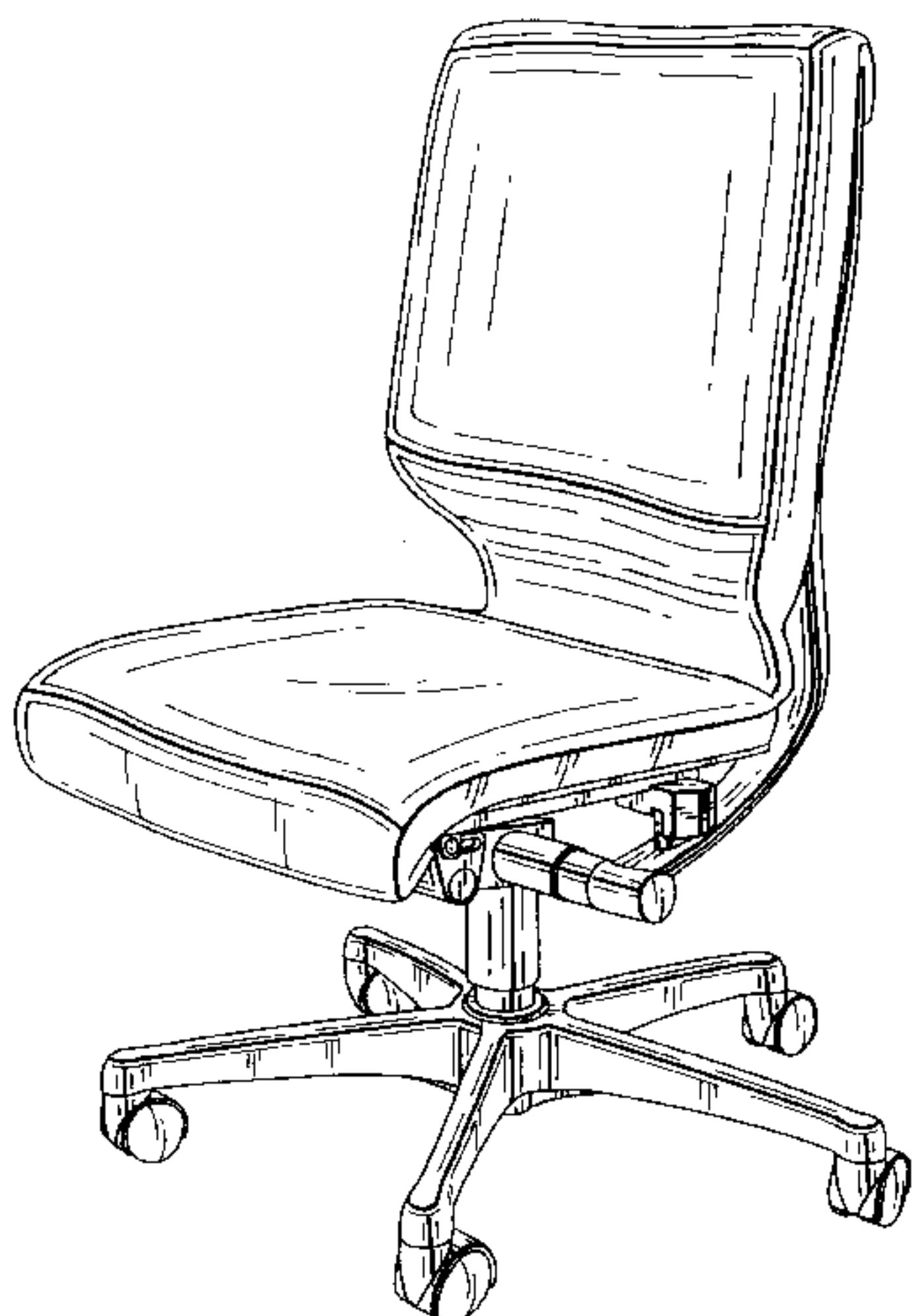
FIG. 7 is a horizontal sectional plan view taken along the line 7—7 in FIG. 1;

FIG. 8 is a vertical sectional front view taken along the line 8—8 in FIG. 2;

FIG. 9 is a front perspective view of the chair; and,

FIG. 10 is a rear perspective view thereof.

**1 Claim, 6 Drawing Sheets**



# US D476,820 S

Page 2

---

## U.S. PATENT DOCUMENTS

D422,802 S	4/2000	Deacon .....	D6/366	D436,260 S	1/2001	Nagamitsu .....	D6/366
6,074,010 A	6/2000	Takeda .....	297/391	D436,768 S *	1/2001	Jenkins et al. ....	D6/500
6,076,892 A	6/2000	van Hekken et al. ...	297/411.35	D437,132 S	2/2001	Nagamitsu .....	D6/366
6,086,153 A	7/2000	Heidmann et al. ....	297/300.1	D444,309 S *	7/2001	Nagamitsu .....	D6/366
D429,422 S *	8/2000	De Lucchi et al. ....	D6/366	D445,613 S *	7/2001	Ginat .....	D6/500
D434,575 S *	12/2000	Deacon .....	D6/366	6,296,312 B1 *	10/2001	Congleton et al. ..	297/411.36 X
D436,259 S	1/2001	Nagamitsu .....	D6/366				

\* cited by examiner

FIG.1

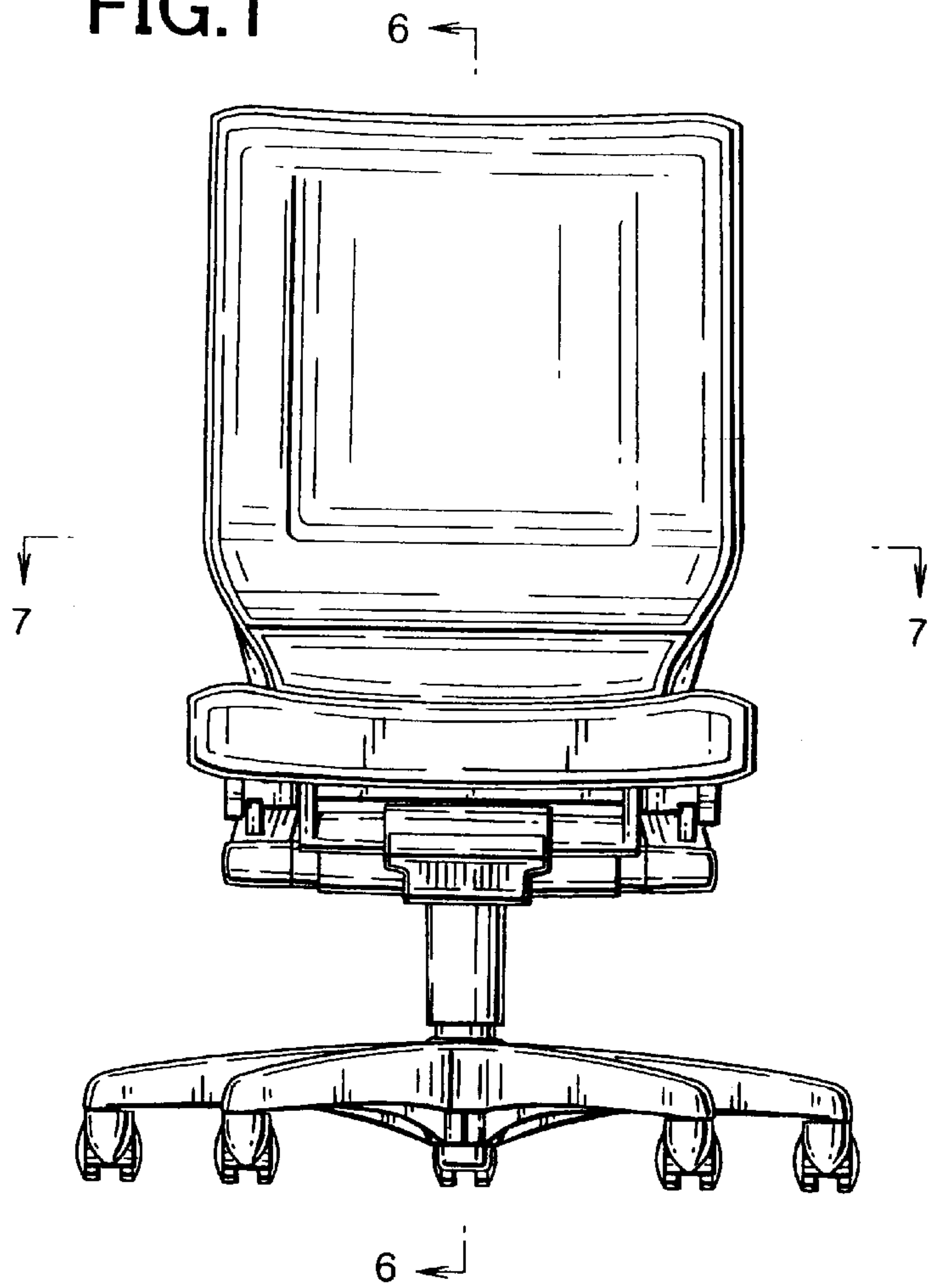


FIG.2

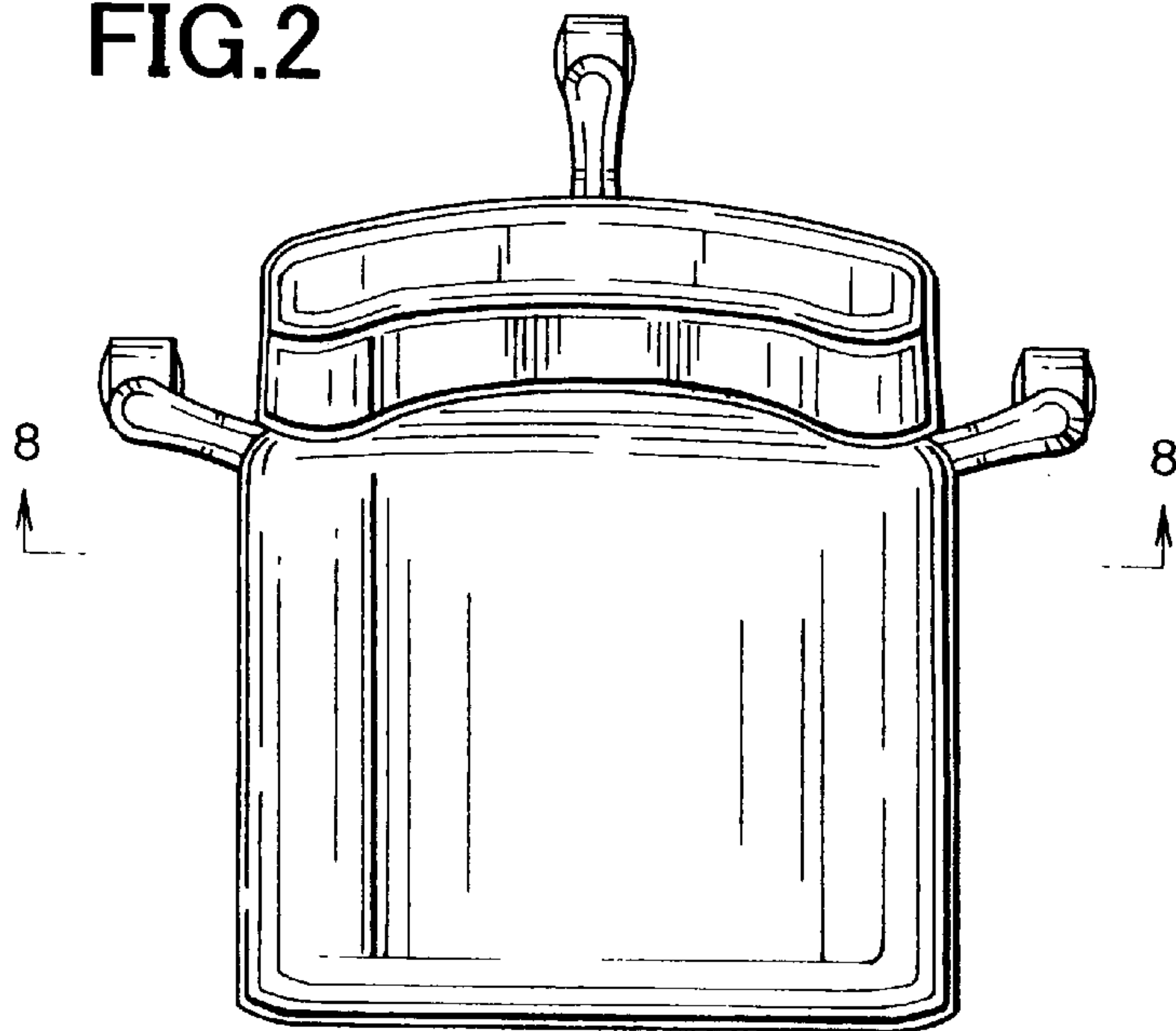


FIG.3

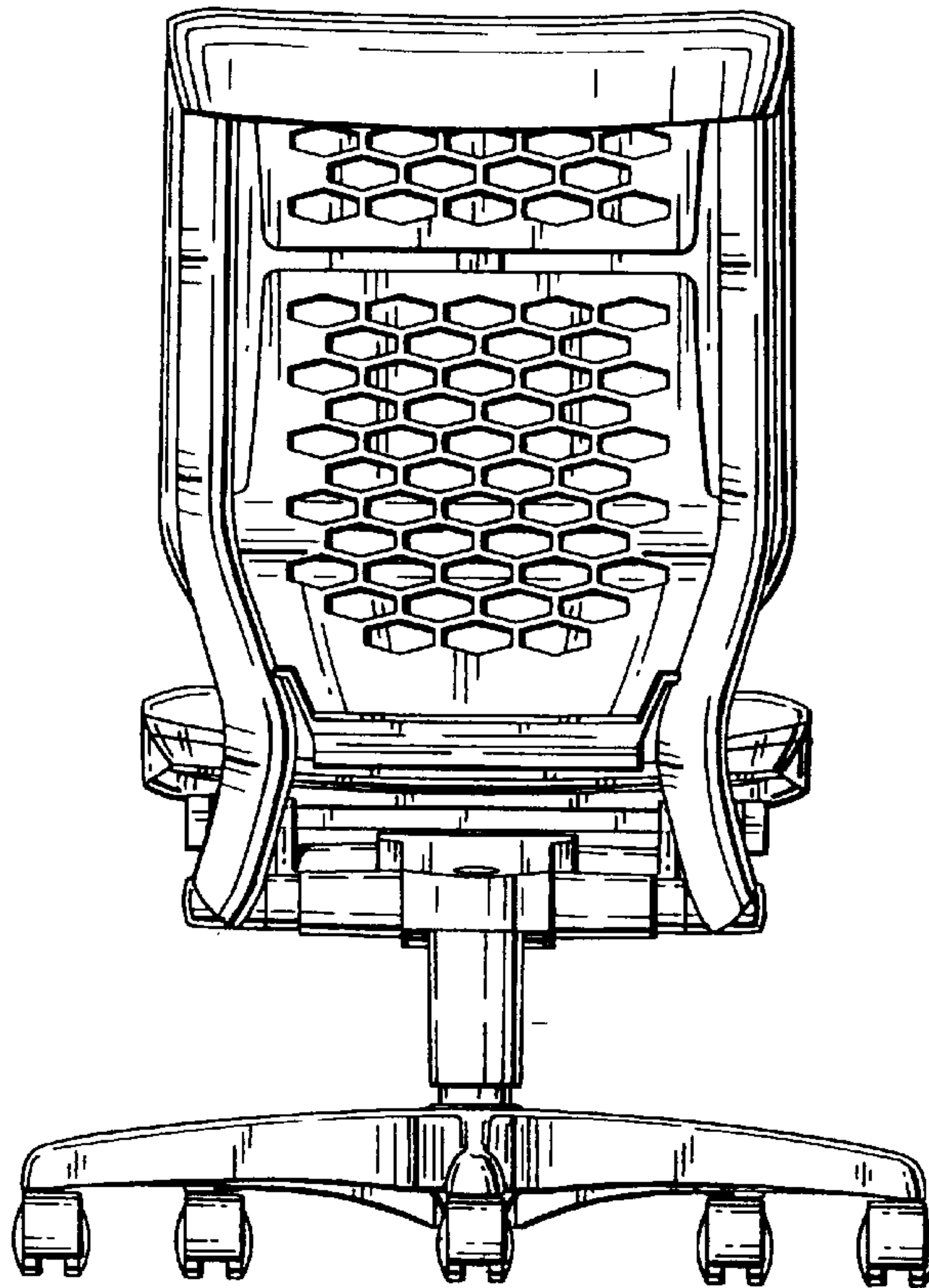


FIG.4

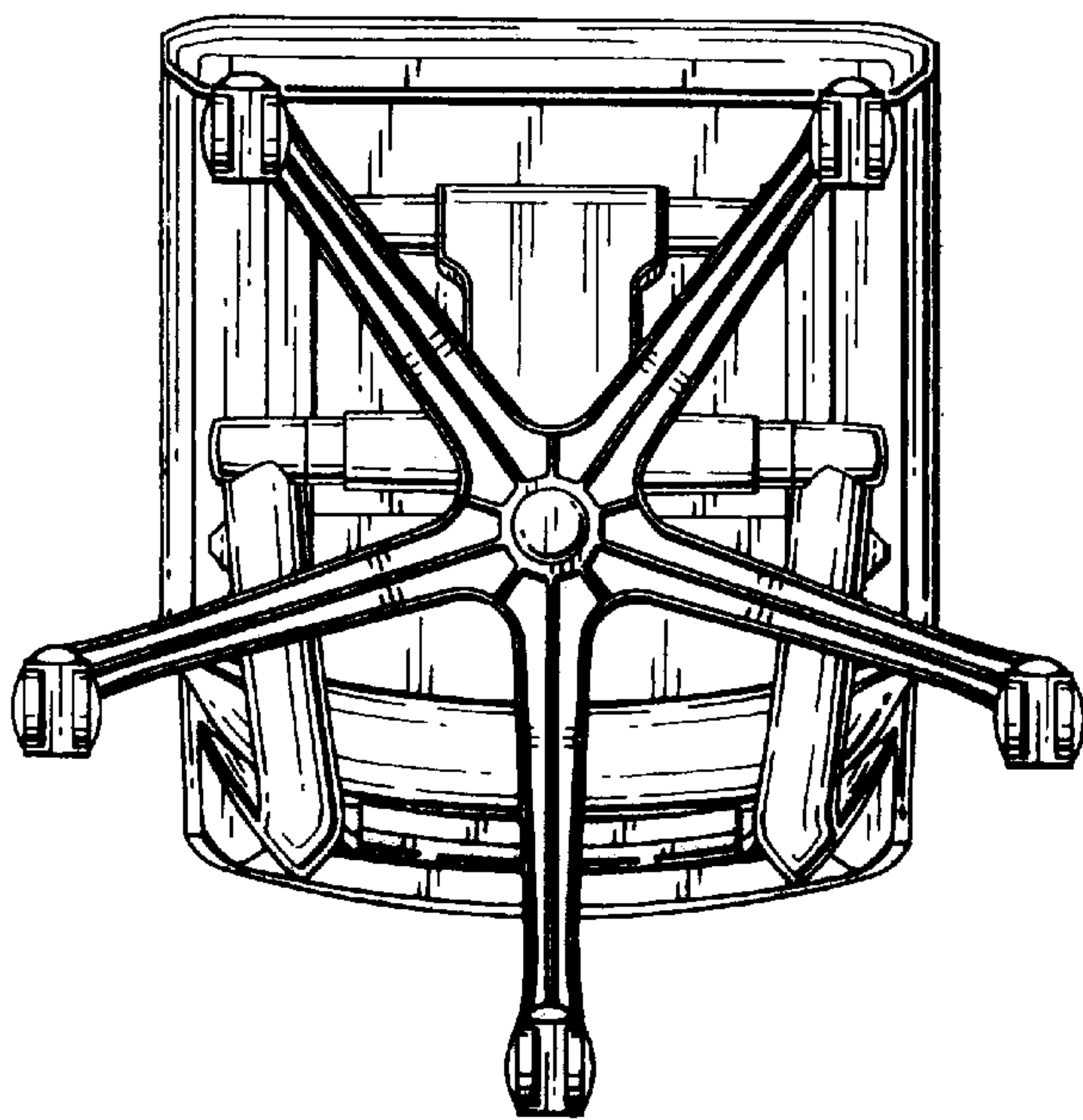




FIG.5

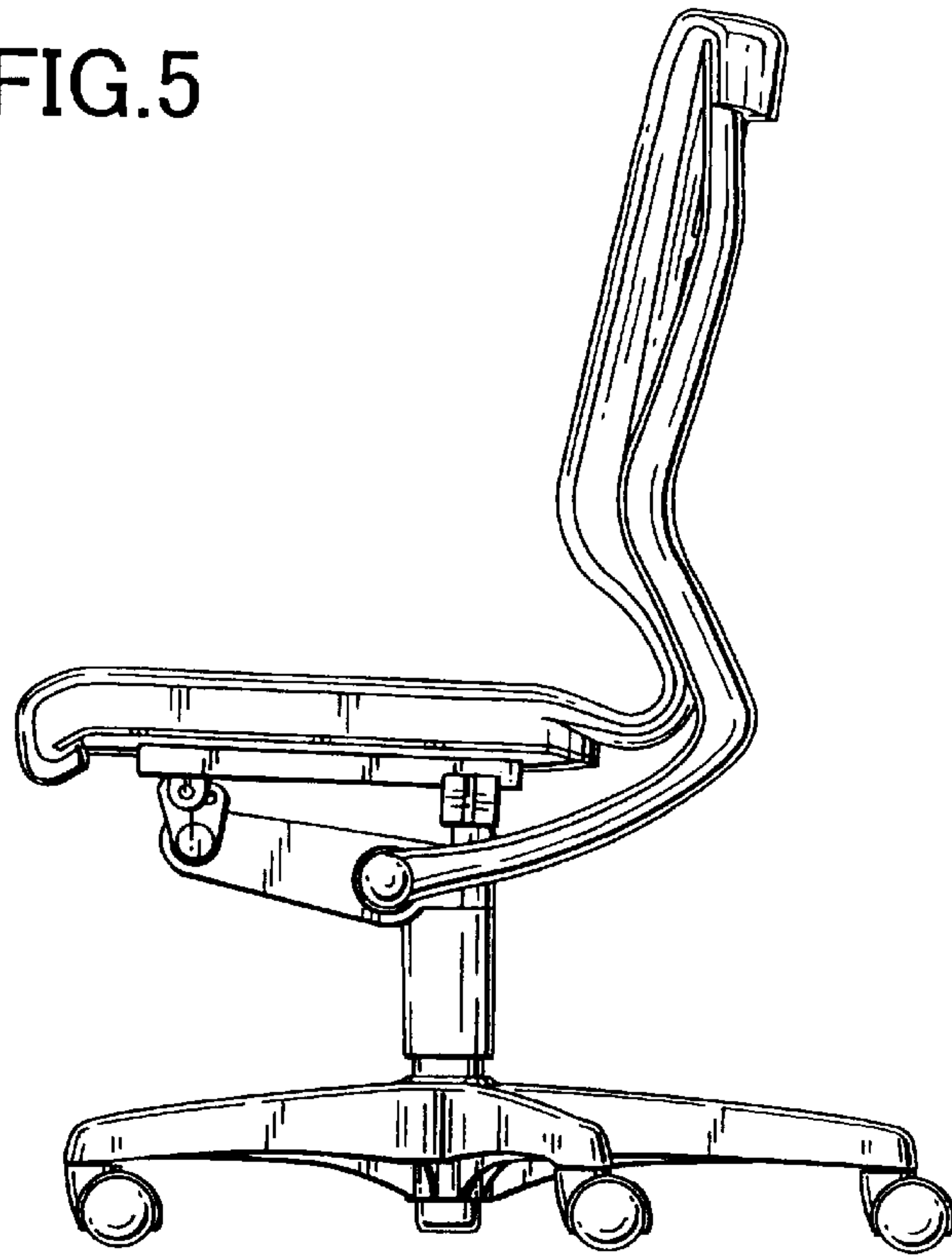


FIG.6

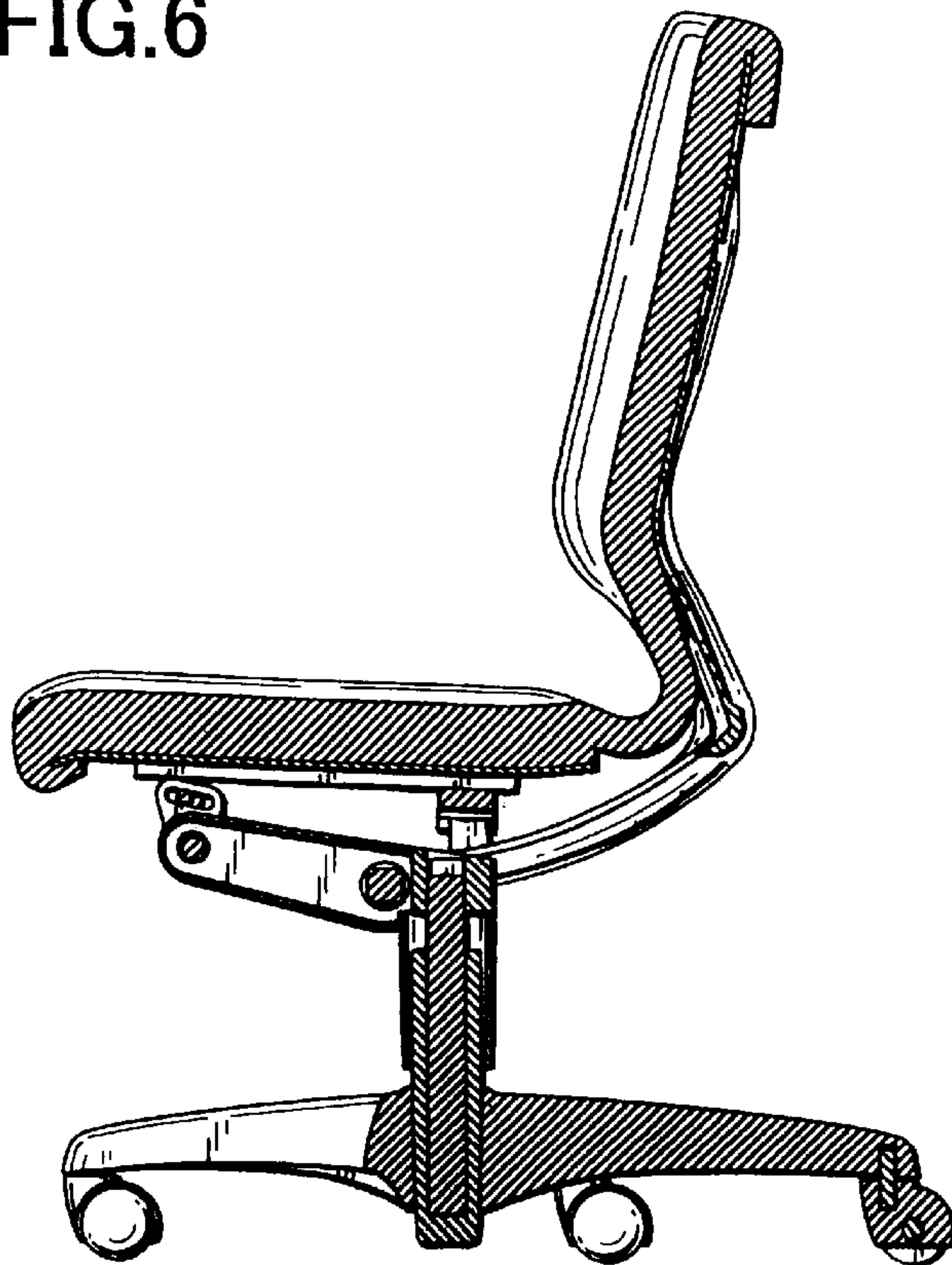


FIG.7

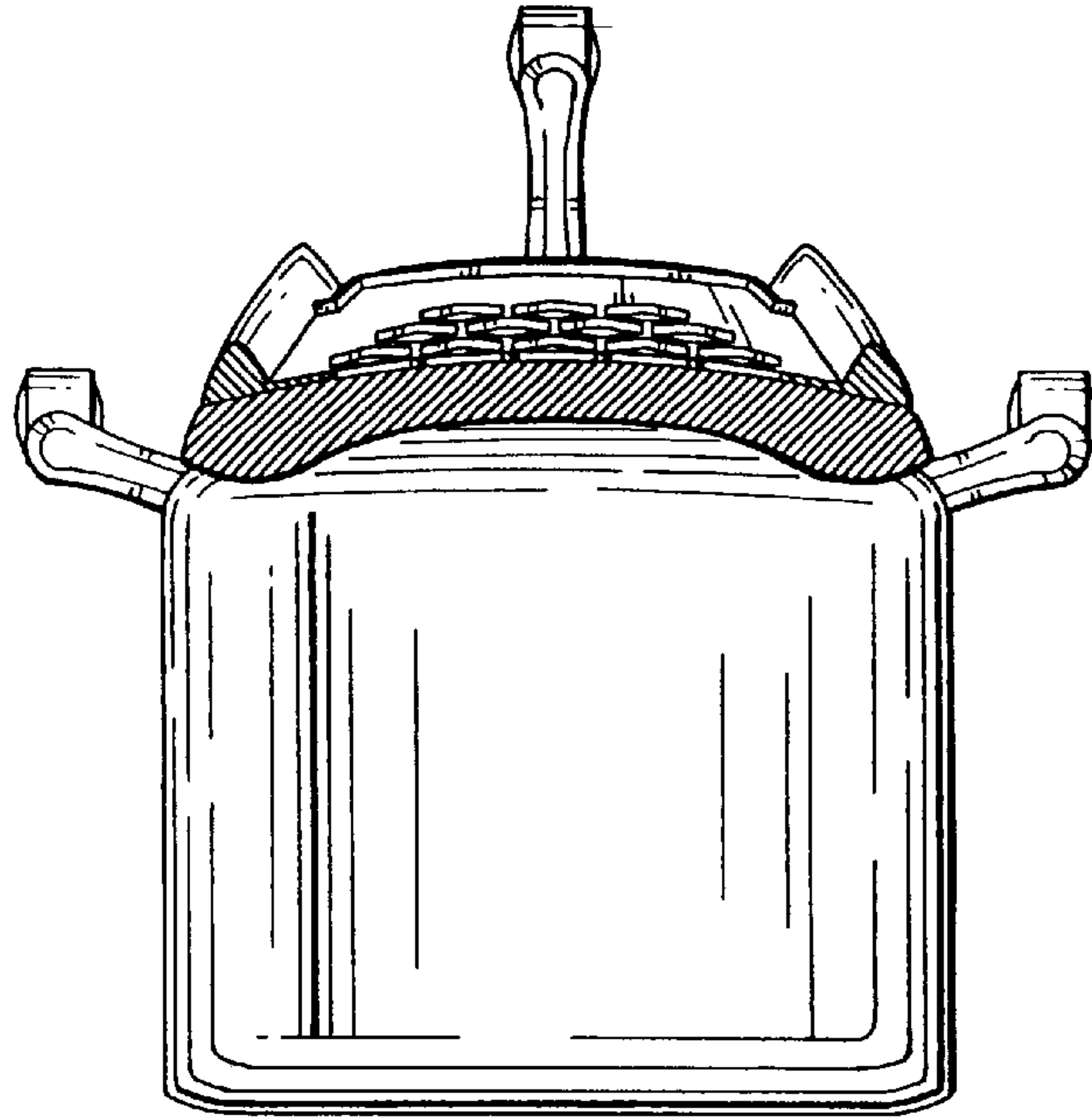


FIG.8

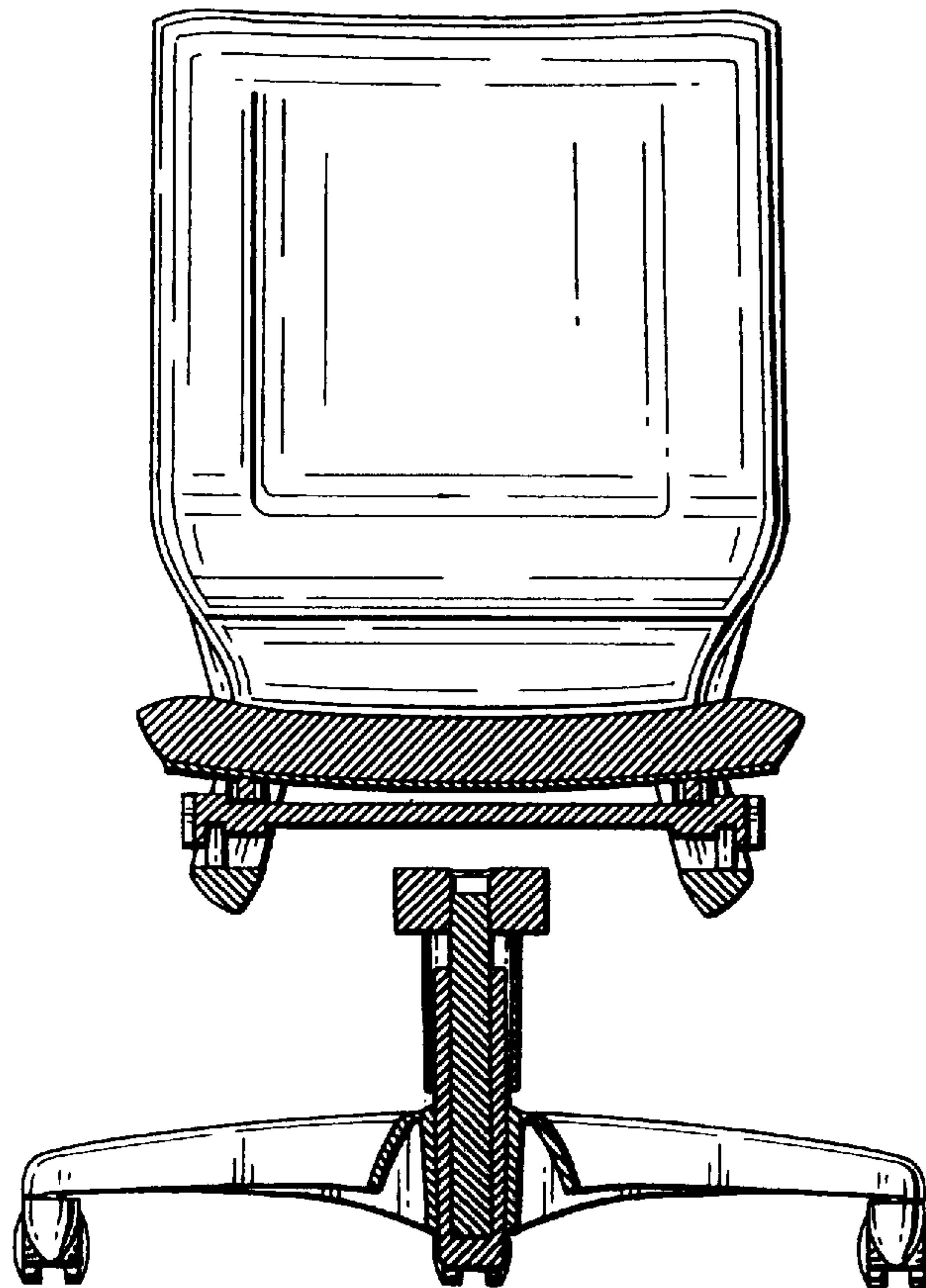


FIG. 9



FIG.10

