



US00D476815S

(12) **United States Design Patent**
Richter

(10) **Patent No.:** **US D476,815 S**

(45) **Date of Patent:** **** Jul. 8, 2003**

(54) **AUTO BAGGY-LUGGAGE HOLDER**

(76) Inventor: **Herbert Richter**, Drosselweg 8, 75331 Engelbrand (DE)

(**) Term: **14 Years**

(21) Appl. No.: **29/150,411**

(22) Filed: **Nov. 16, 2001**

(51) **LOC (7) Cl.** **03-99**

(52) **U.S. Cl.** **D3/328**

(58) **Field of Search** D3/318, 328; D6/513; D9/434, 455; D12/415, 416; 211/113; 248/339, 914; 294/159, 170, 171

(56) **References Cited**

U.S. PATENT DOCUMENTS

3,248,144	A	*	4/1966	Hinds	294/170
4,453,655	A	*	6/1984	Smilow et al.	211/113 X
D334,316	S	*	3/1993	Daniel	D6/513 X
D375,673	S	*	11/1996	Schowalter	D6/513 X
D413,464	S	*	9/1999	Richter	D12/416 X
D447,656	S	*	9/2001	Richter	D3/328 X

* cited by examiner

Primary Examiner—Louis S. Zarfes
Assistant Examiner—Monica A. Weingart
(74) *Attorney, Agent, or Firm*—Klaus J. Bach

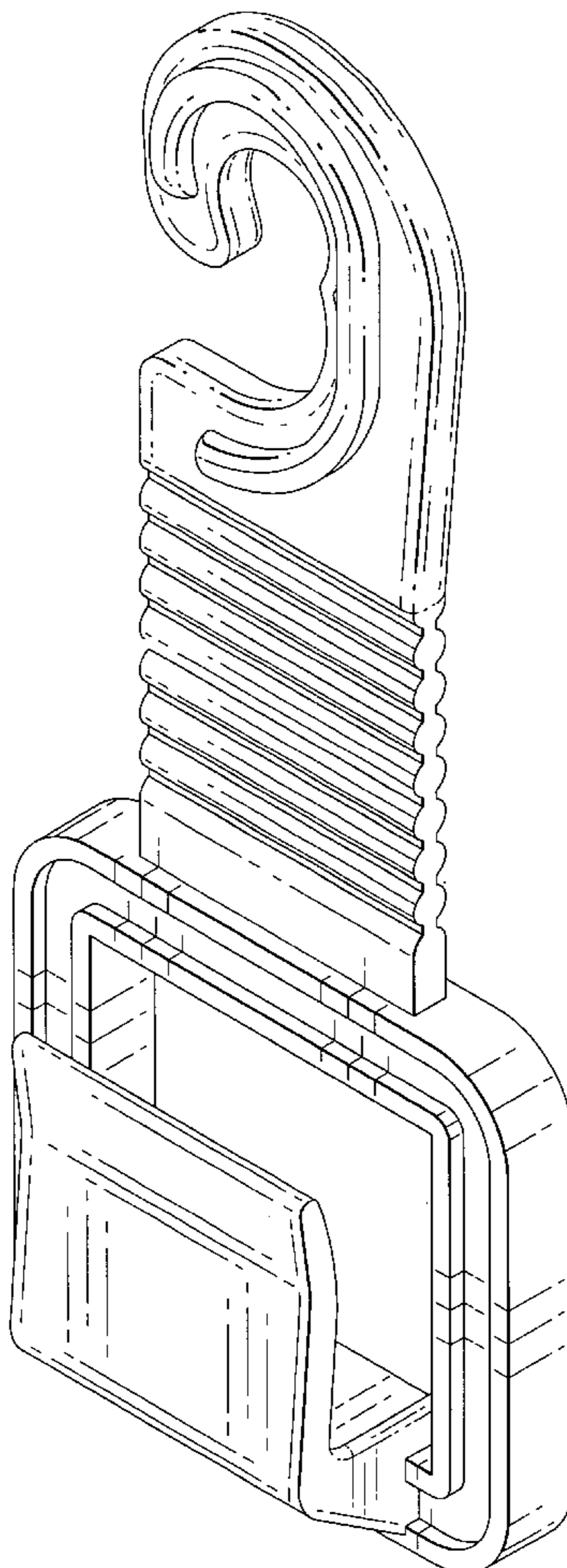
(57) **CLAIM**

The ornamental design for an auto baggy-luggage holder, as shown and described.

DESCRIPTION

FIG. 1 is a perspective view of the auto baggy-luggage holder;
FIG. 2 is a front view of the auto baggy-luggage holder shown in FIG. 1;
FIG. 3 is a left side view of the auto baggy-luggage holder as shown in FIG. 2;
FIG. 4 is a rear view of the auto baggy-luggage holder as shown in FIG. 2;
FIG. 5 is a right side view of the auto baggy-luggage holder as shown in FIG. 2;
FIG. 6 is a top view of the auto baggy-luggage holder as shown in FIG. 2; and,
FIG. 7 is a bottom view of the auto baggy-luggage holder as shown in FIG. 2.

1 Claim, 4 Drawing Sheets



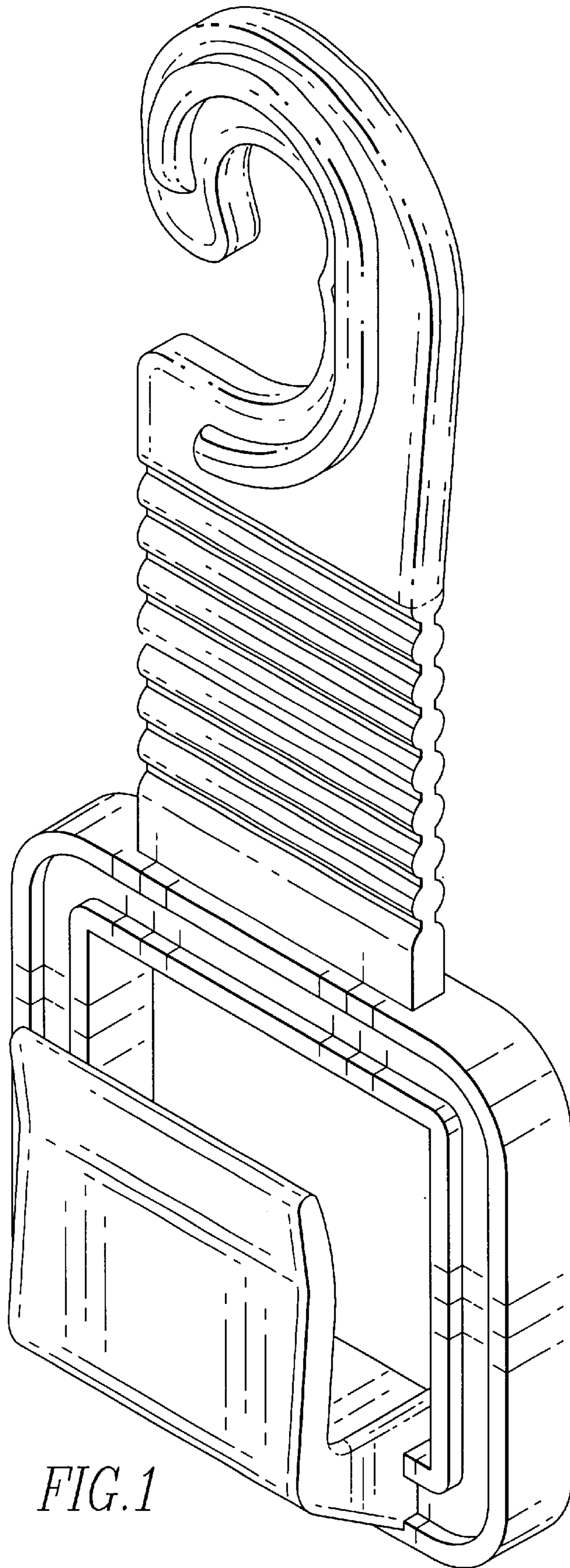


FIG. 1

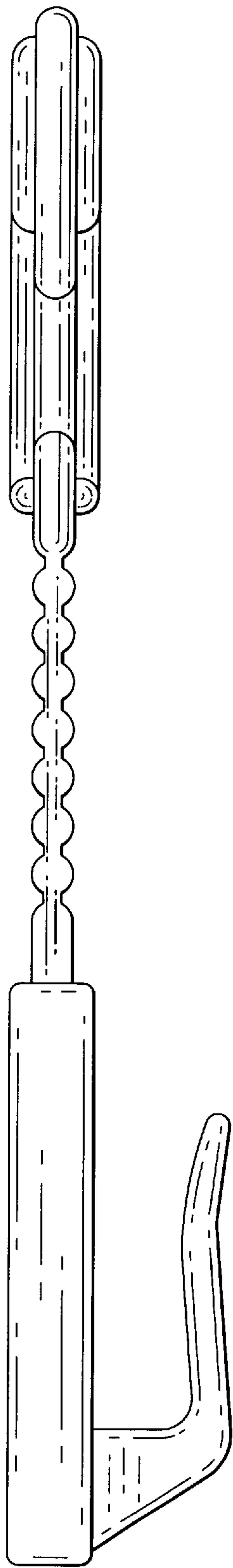


FIG. 3

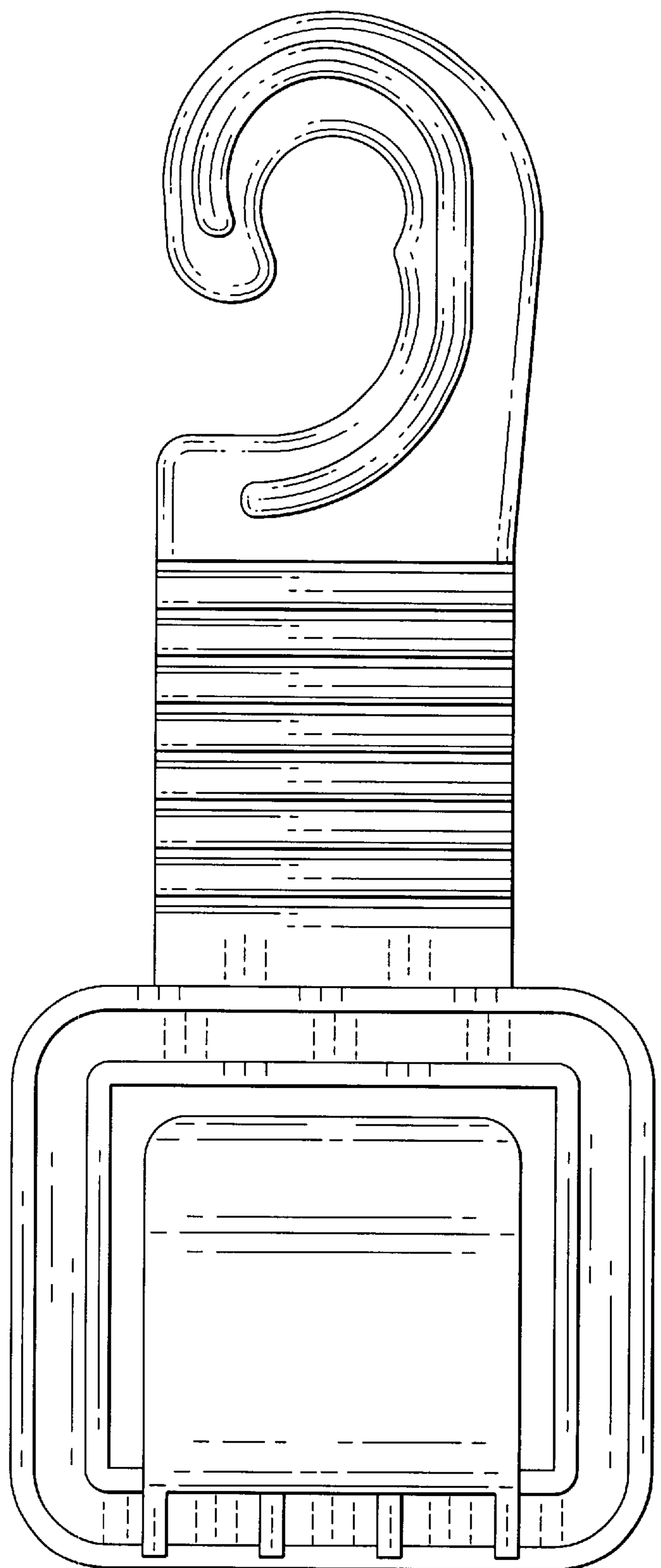


FIG. 2

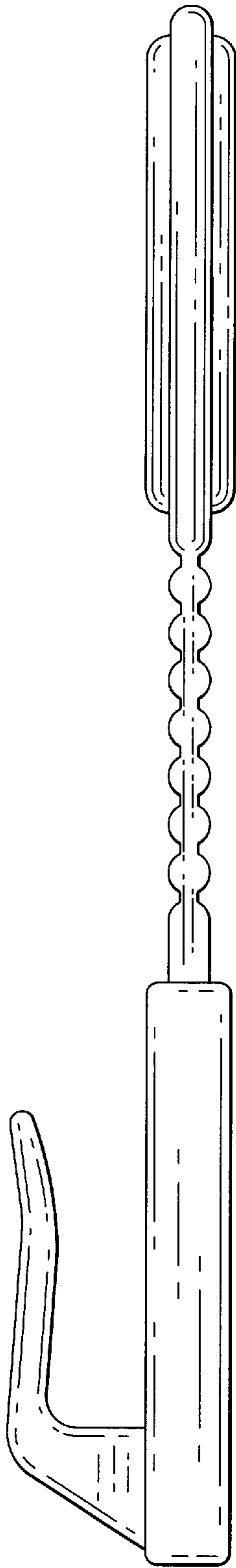


FIG. 5

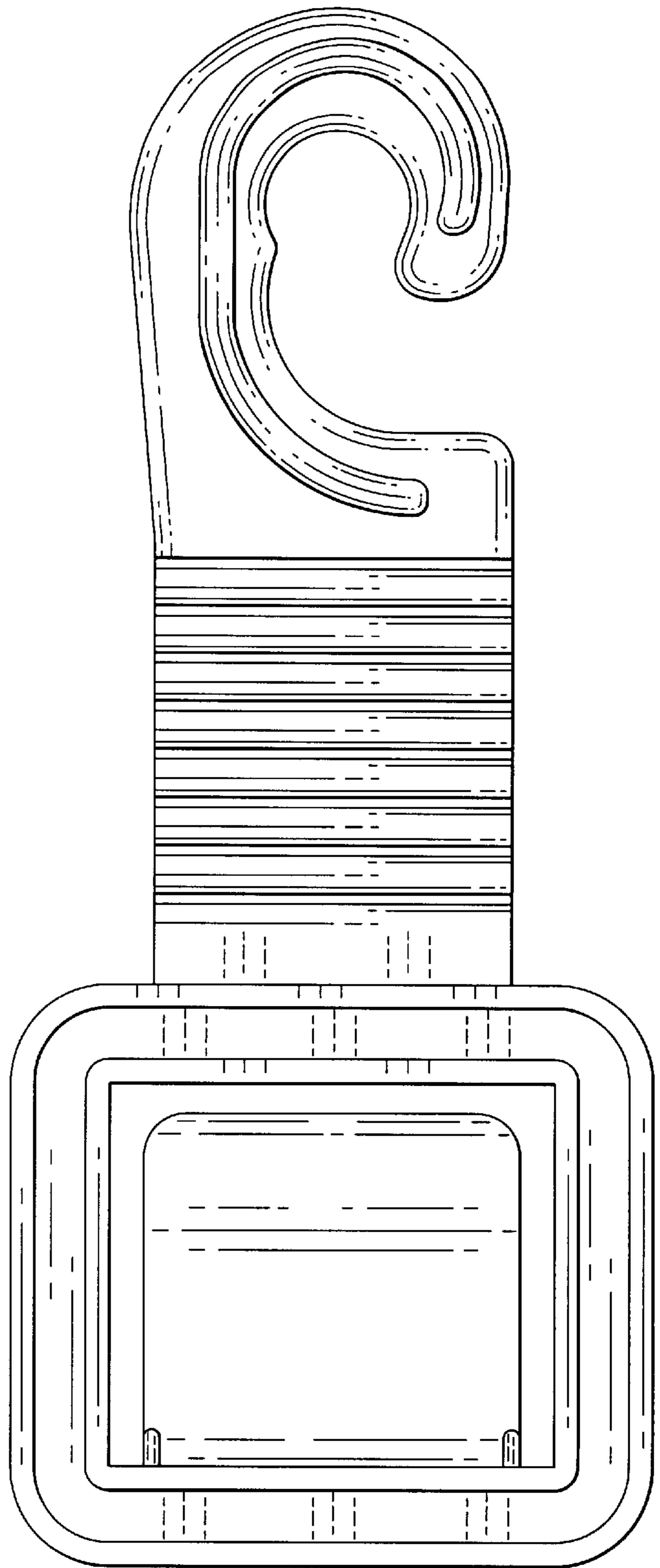


FIG. 4

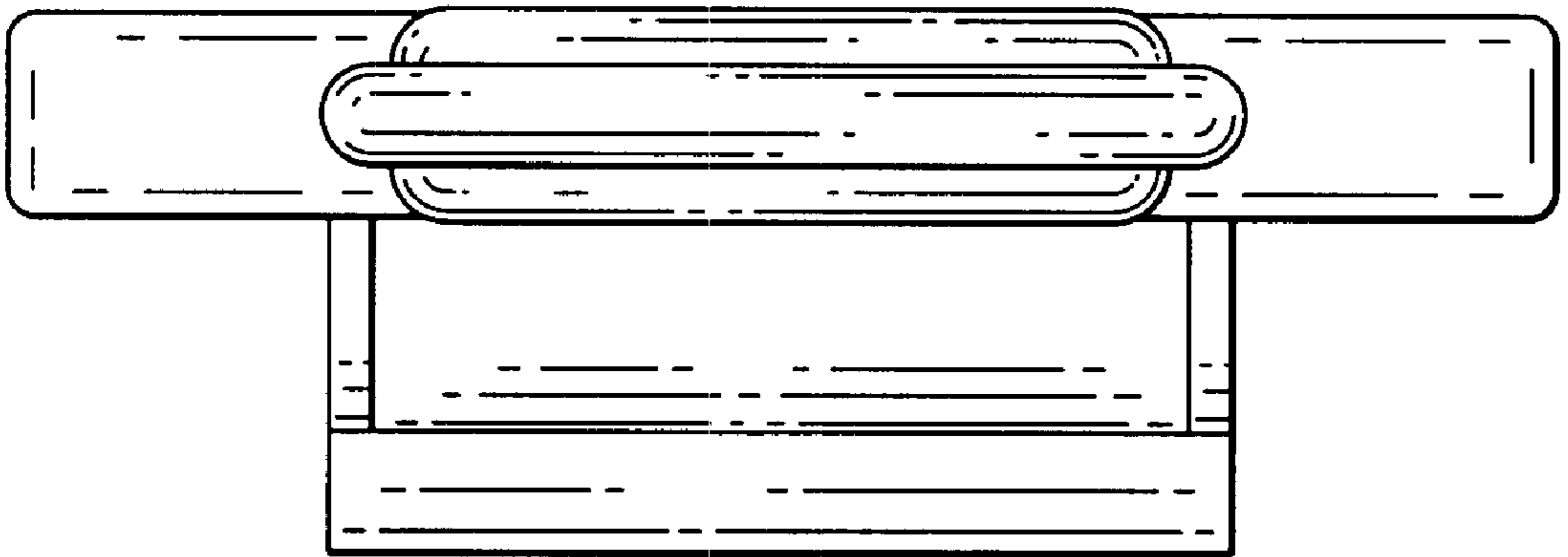


FIG. 6

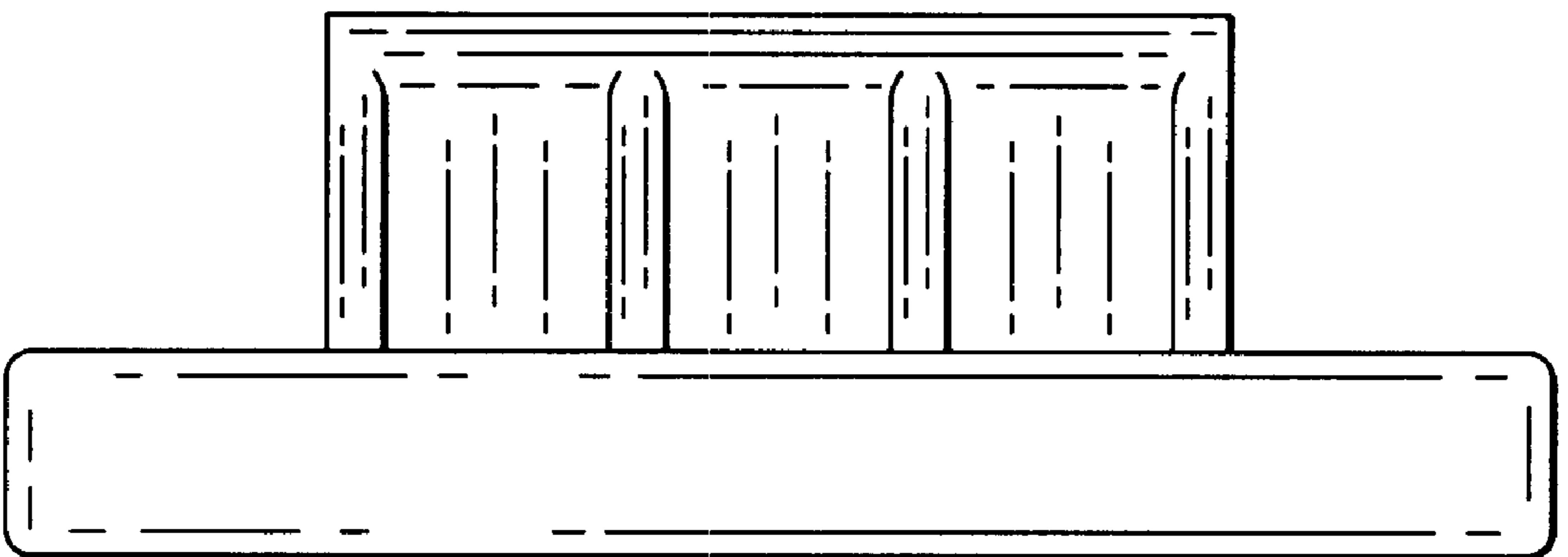


FIG. 7