



US00D476814S

(12) **United States Design Patent**
Thorpe

(10) **Patent No.:** **US D476,814 S**

(45) **Date of Patent:** **** Jul. 8, 2003**

(54) **BULK CONTAINER SUPPORT FRAME**

(75) Inventor: **John Richard Thorpe, Natal (ZA)**

(73) Assignee: **Almar Packaging International Inc., Umhlanga (ZA)**

(**) Term: **14 Years**

(21) Appl. No.: **29/161,603**

(22) Filed: **Jun. 4, 2002**

(30) **Foreign Application Priority Data**

Dec. 4, 2001 (ZA) 2001/1318
Dec. 4, 2001 (ZA) 2001/1268

(51) **LOC (7) Cl.** **03-01**

(52) **U.S. Cl.** **D3/314**

(58) **Field of Search** D3/304-305, 314;
220/1.5, 9.1-9.4, 4.11, 4.28, 639, 643, 647-649,
654; 206/386, 596, 598, 599, 600

(56) **References Cited**

U.S. PATENT DOCUMENTS

3,695,506 A * 10/1972 Cook 206/599

4,257,523 A * 3/1981 Blasio 206/386
5,178,275 A * 1/1993 Fitzgerald et al. 206/386
5,897,012 A * 4/1999 Sortwell 220/4.28
6,000,549 A * 12/1999 Perkins 206/596
6,003,705 A * 12/1999 Burguires, Jr. 220/1.5
6,415,927 B1 * 7/2002 Stone et al. 206/600

* cited by examiner

Primary Examiner—Louis S. Zarfaz

Assistant Examiner—Deanne Levy

(74) *Attorney, Agent, or Firm*—Young & Thompson

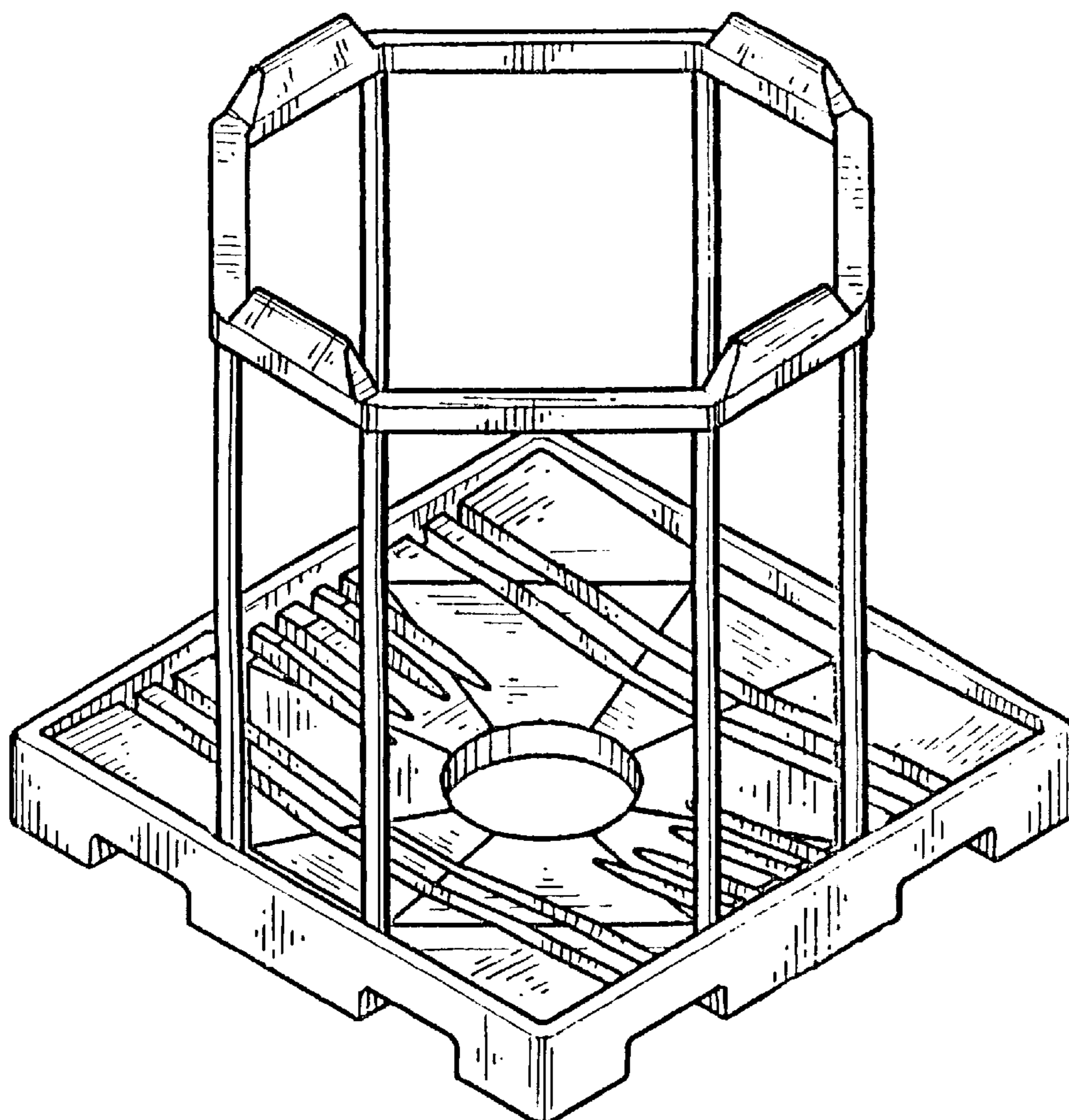
(57) **CLAIM**

The ornamental design for a bulk container support frame, shown and described.

DESCRIPTION

FIG. 1 is a side elevation view of the bulk container support frame showing my new design, with all sides being identical;
FIG. 2 is a top plan view thereof;
FIG. 3 is a top perspective view thereof; and,
FIG. 4 is a bottom perspective view thereof.

1 Claim, 2 Drawing Sheets



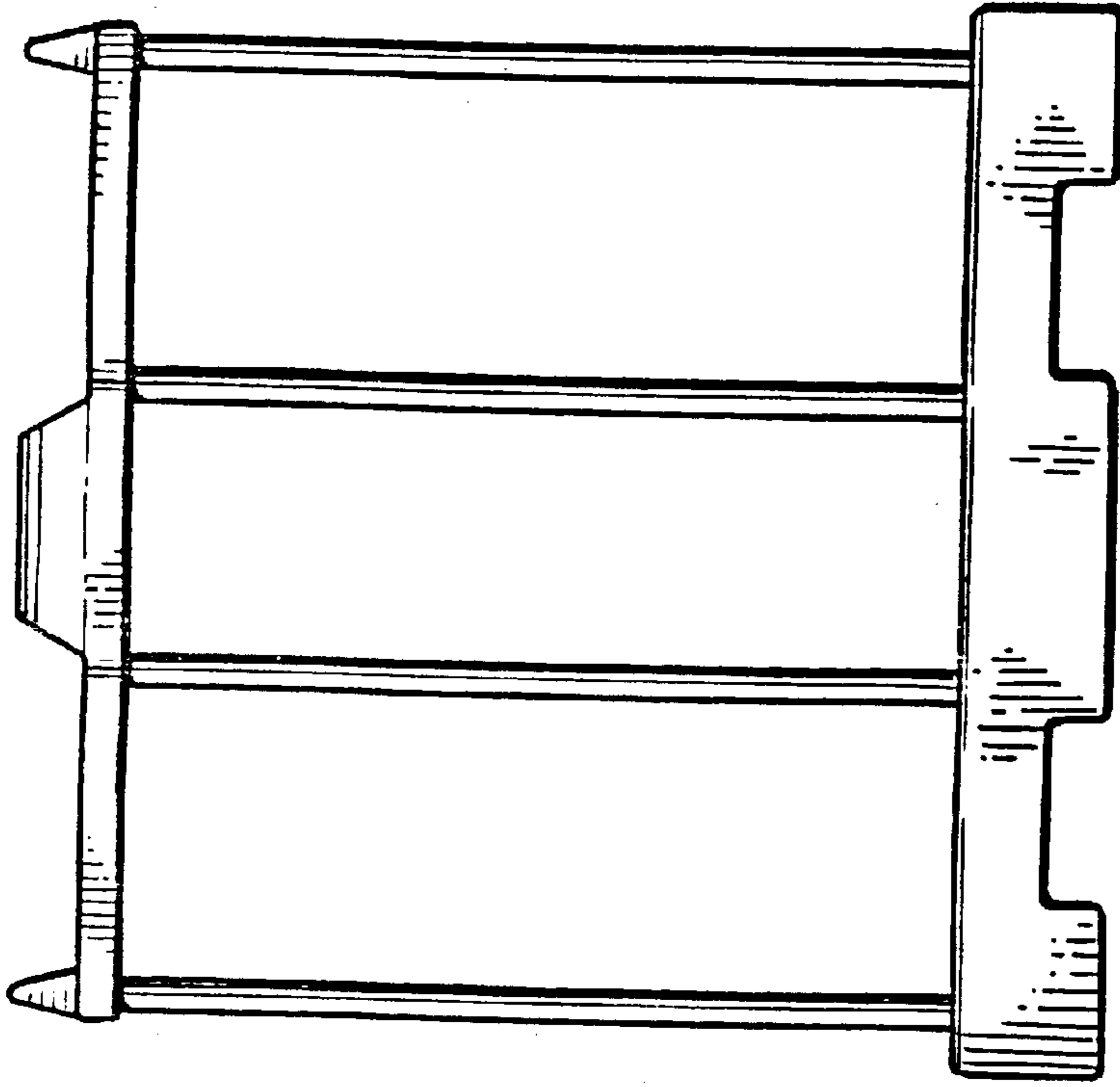


FIGURE 1

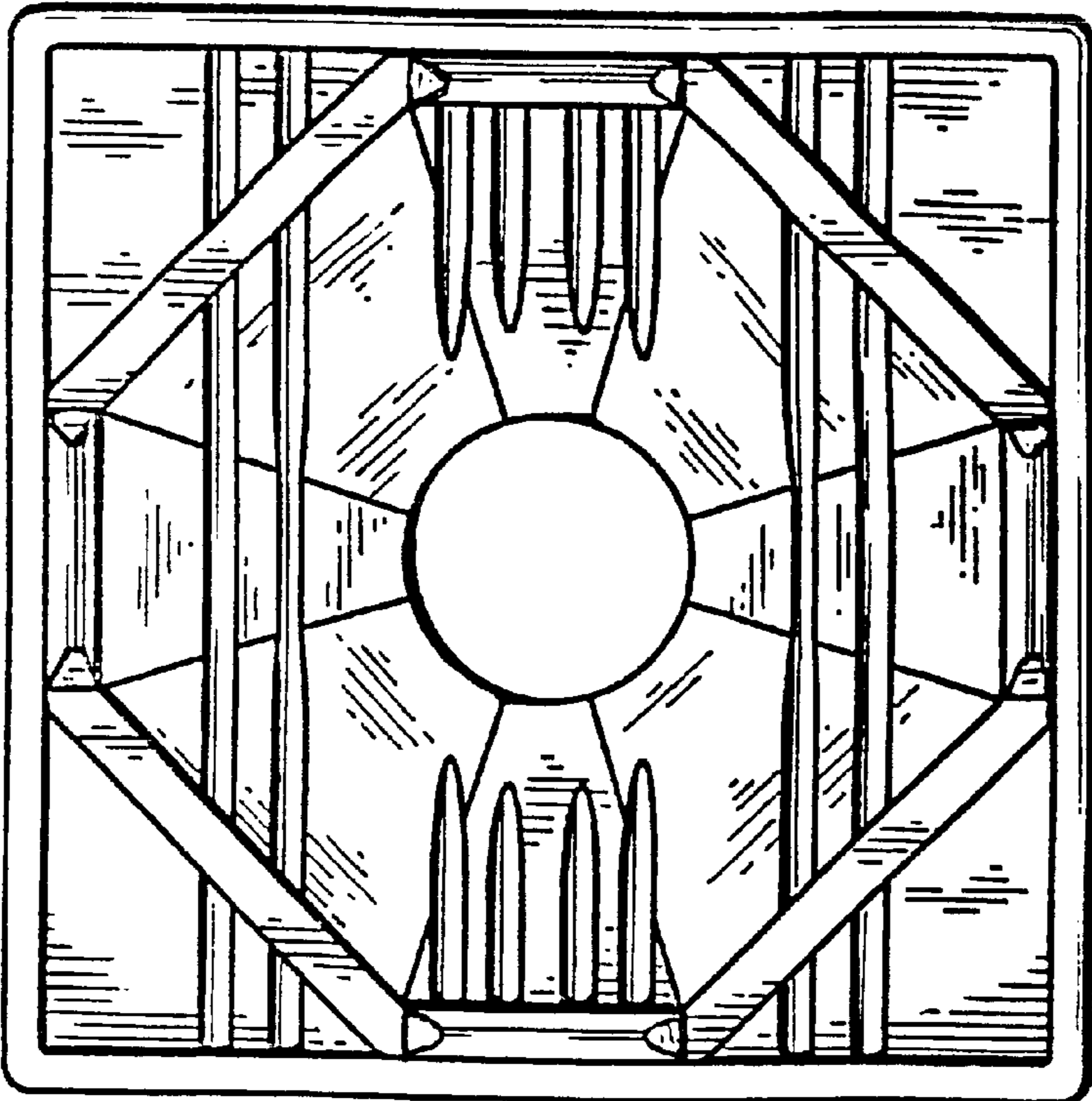


FIGURE 2

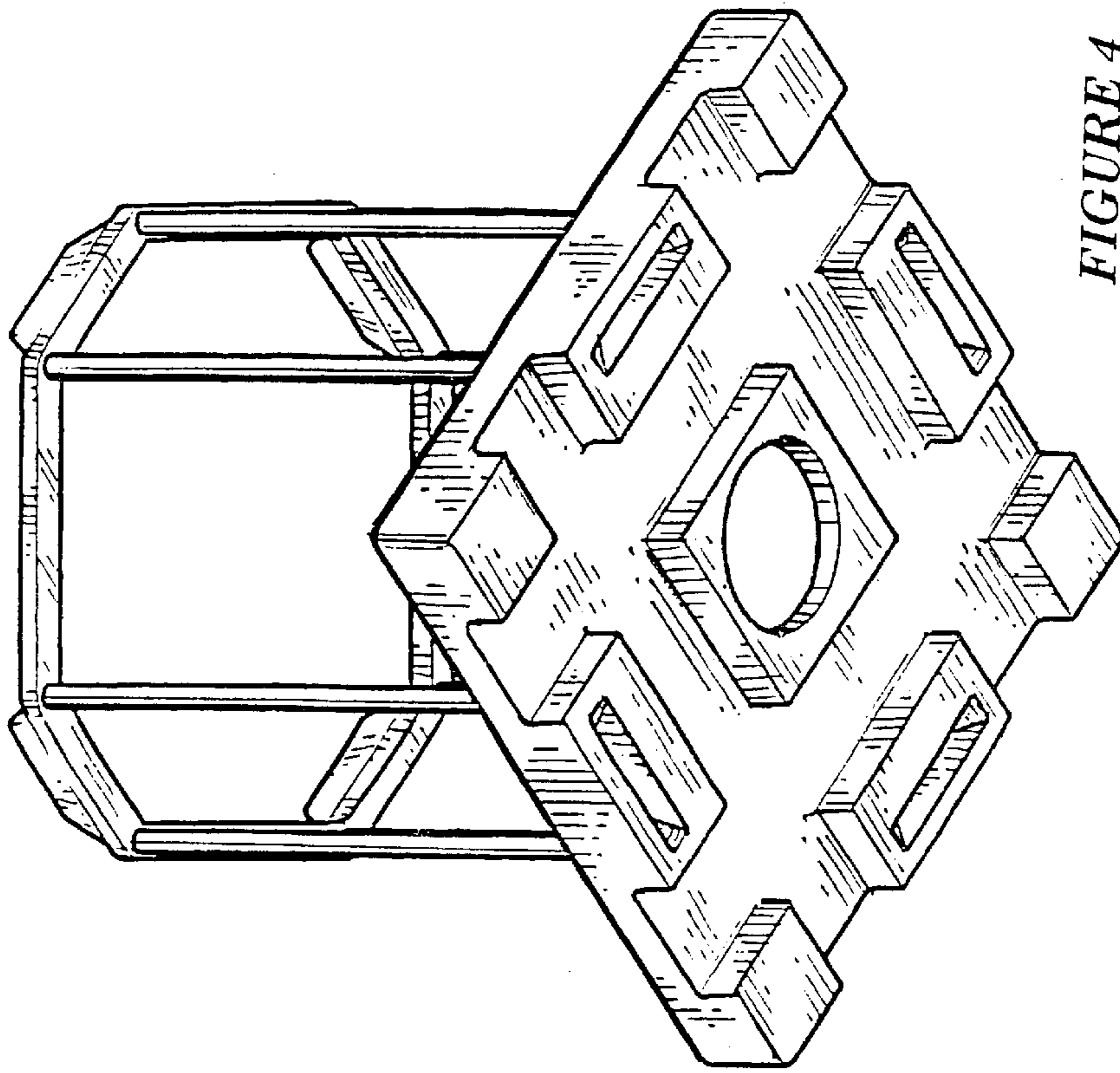


FIGURE 4

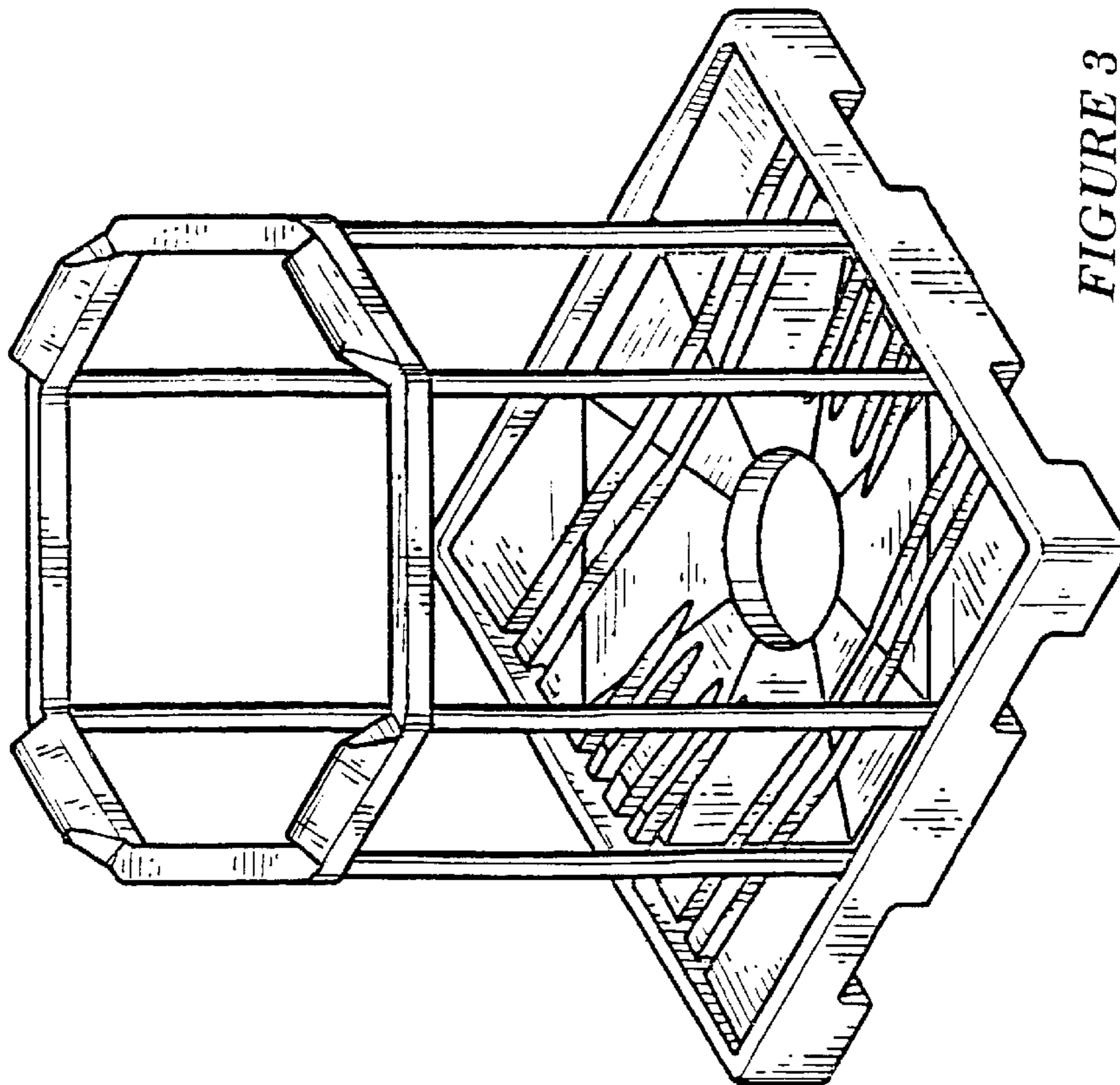


FIGURE 3