



US00D476809S

(12) **United States Design Patent**
Ko

(10) **Patent No.:** **US D476,809 S**

(45) **Date of Patent:** **** Jul. 8, 2003**

(54) **COSMETIC CASE**

(75) **Inventor:** **Chin-Der Ko**, Tainan (TW)

(73) **Assignee:** **Mei Kuai Cosmetics Co., Ltd.**, Tainan (TW)

(**) **Term:** **14 Years**

(21) **Appl. No.:** **29/164,654**

(22) **Filed:** **Jul. 30, 2002**

(51) **LOC (7) Cl.** **03-01**

(52) **U.S. Cl.** **D3/276; D3/232; D3/901**

(58) **Field of Search** **D3/292, 276, 239, D3/245, 232, 901; 206/823; 190/100, 114, 115, 900, 901; 150/103, 106, 109**

(56) **References Cited**

U.S. PATENT DOCUMENTS

D115,862 S	*	7/1939	Wenger	D3/292
2,170,379 A	*	8/1939	Ortt	190/107
3,144,065 A	*	8/1964	Burgio, Jr.	150/106
D222,315 S	*	10/1971	Abraham	D3/284
D237,021 S	*	9/1975	Chilewich	D3/292

4,027,710 A	*	6/1977	Keebler	150/103
4,804,122 A	*	2/1989	Knox	224/220
5,123,467 A	*	6/1992	Steinberg	150/106
D350,874 S	*	9/1994	Gowin	D7/606
D431,357 S	*	10/2000	du Sartel	D3/246

* cited by examiner

Primary Examiner—Philip S. Hyder

(74) *Attorney, Agent, or Firm*—Rosenberg, Klein & Lee

(57) **CLAIM**

The ornamental design for a cosmetic case, as shown and described.

DESCRIPTION

FIG. 1 is a perspective view of a cosmetic case showing my new design.

FIG. 2 is a front elevational view thereof.

FIG. 3 is a rear elevational view thereof.

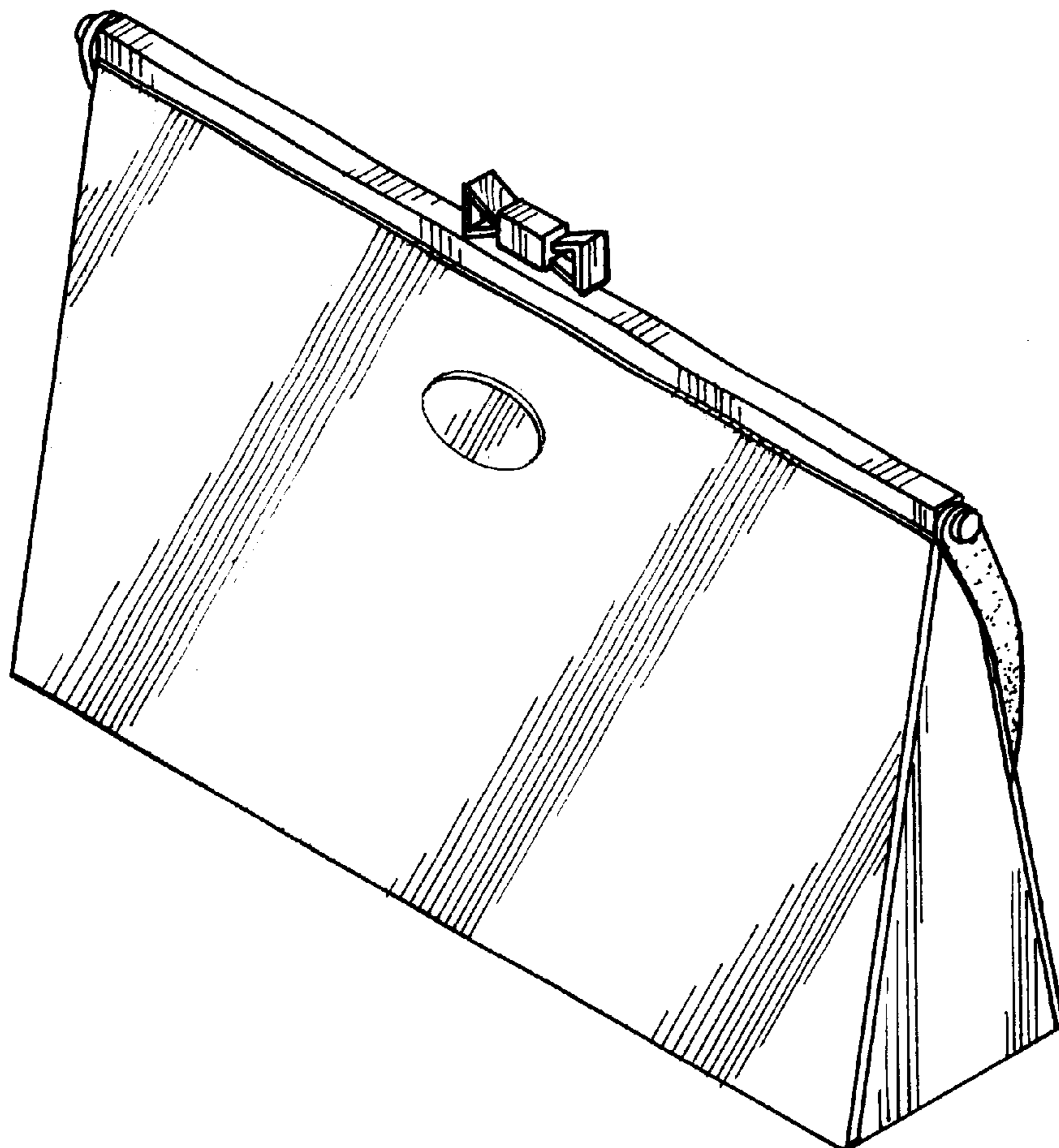
FIG. 4 is a left side elevational view thereof.

FIG. 5 is a right side elevational view thereof.

FIG. 6 is a top plan view thereof; and,

FIG. 7 is a bottom plan view thereof.

1 Claim, 4 Drawing Sheets



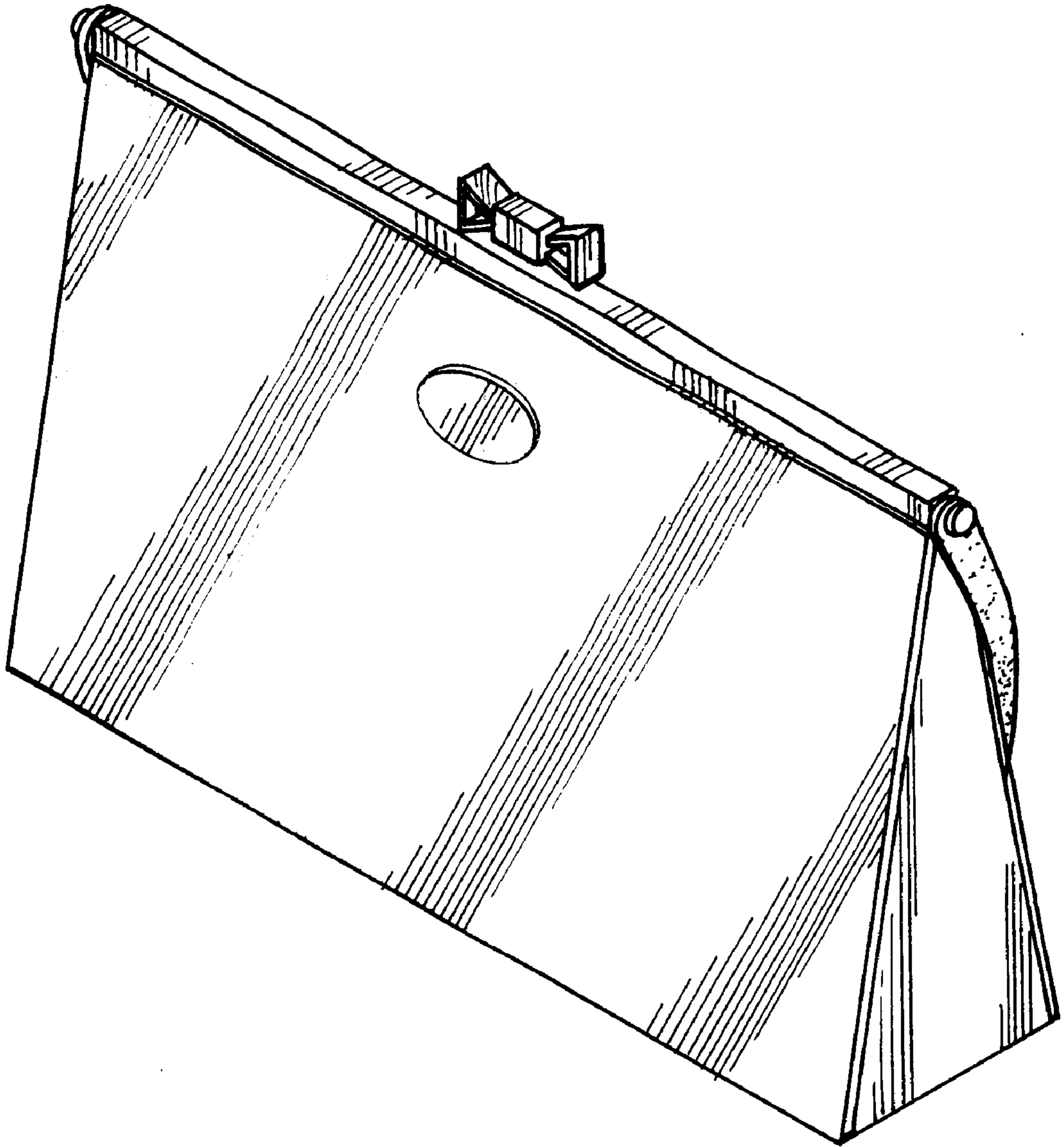


FIG. 1

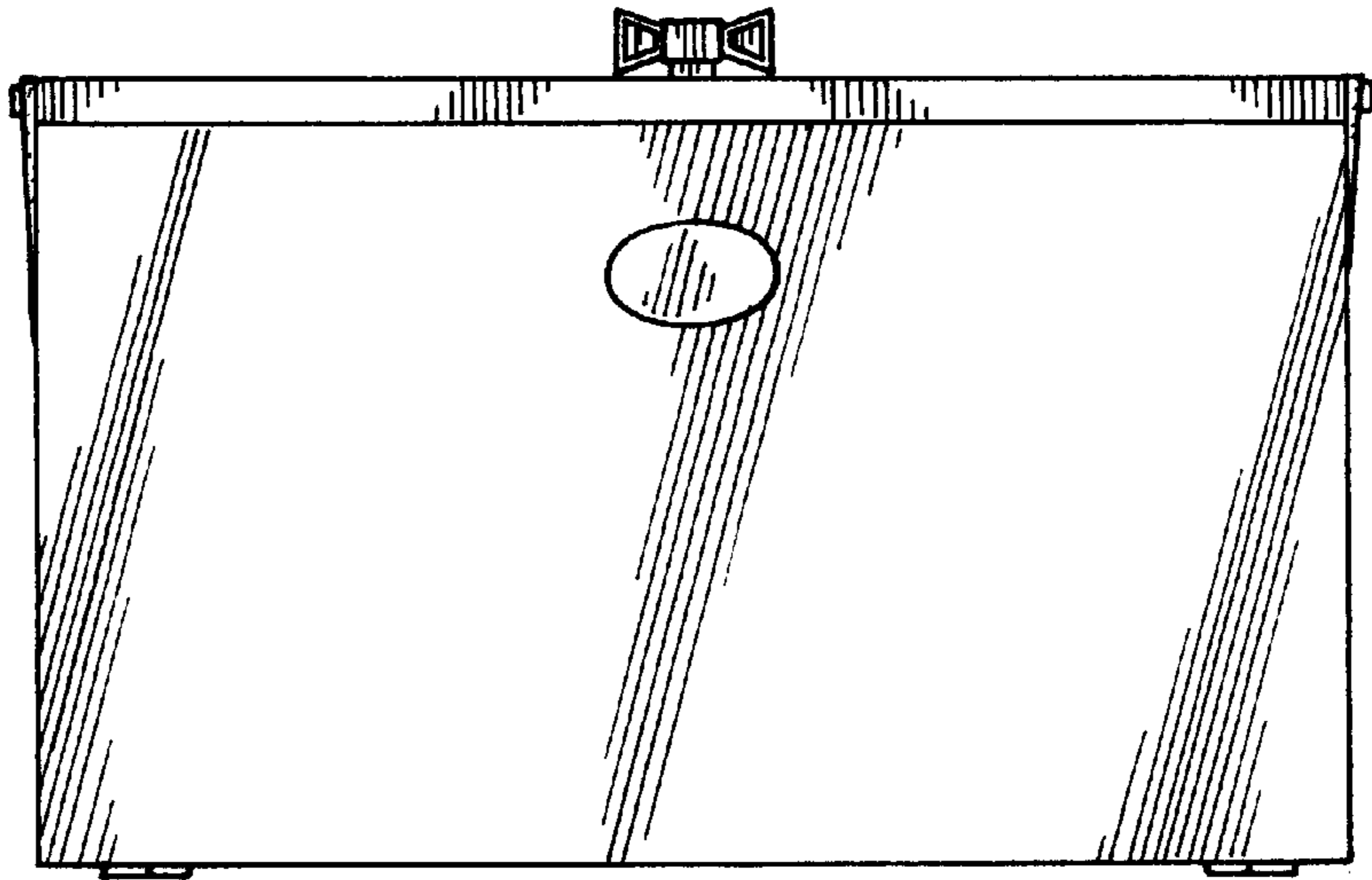


FIG. 2

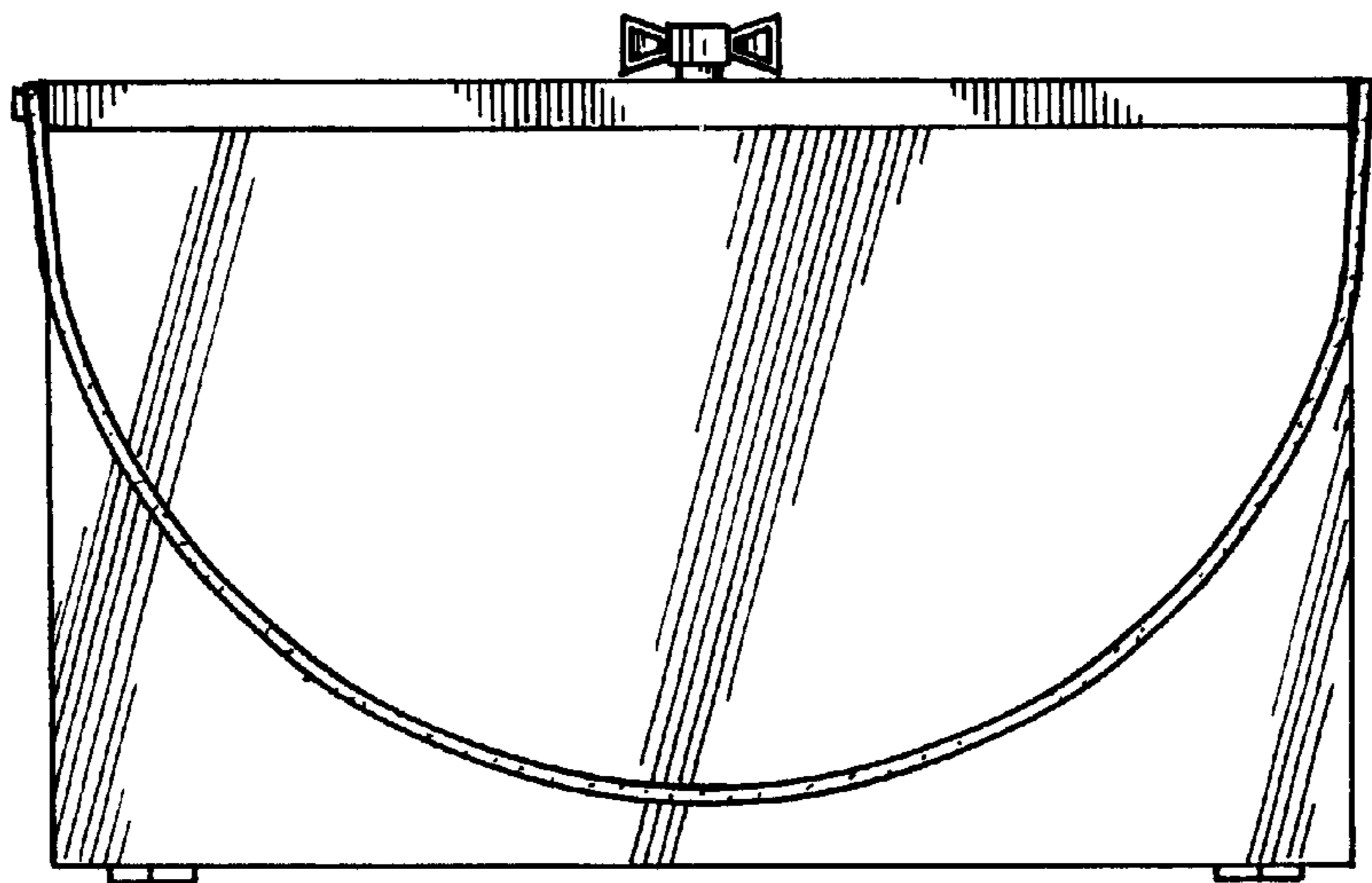


FIG. 3

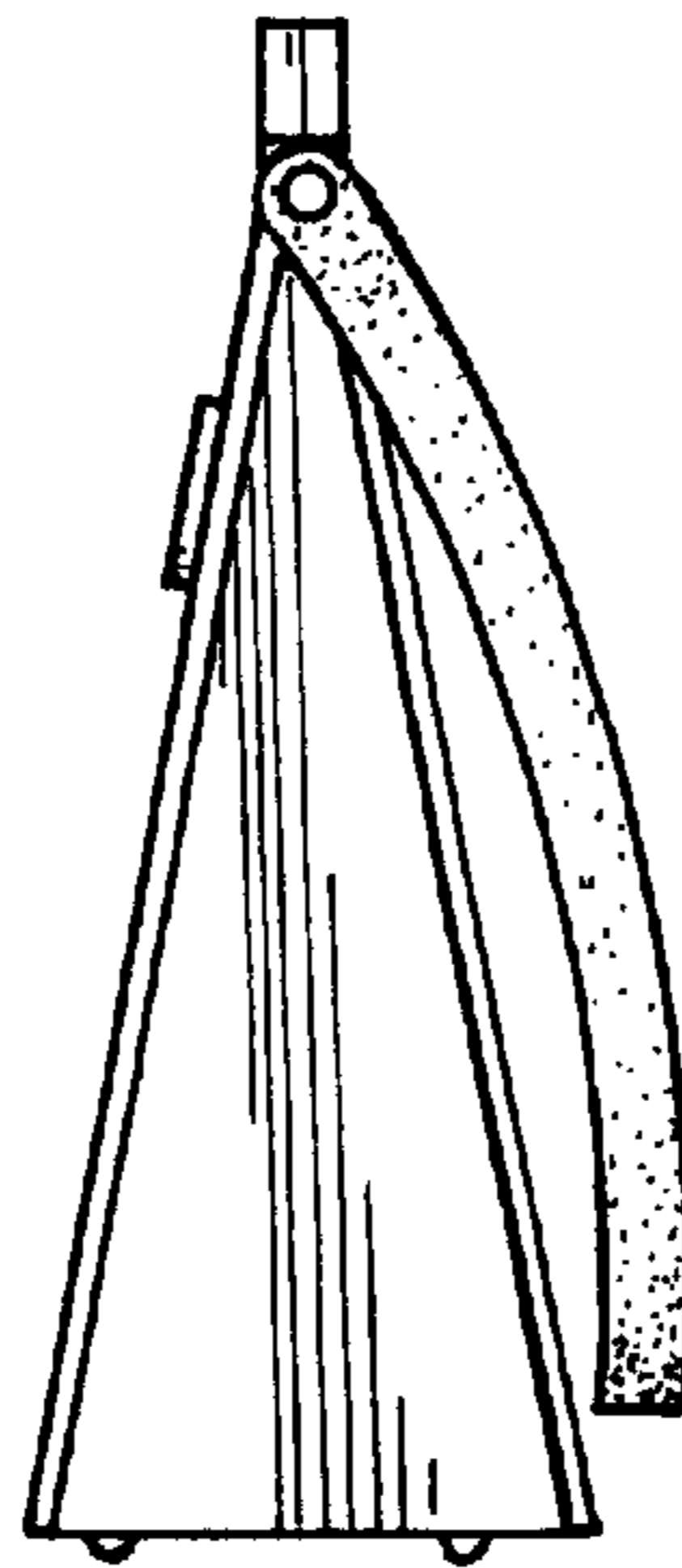


FIG. 5

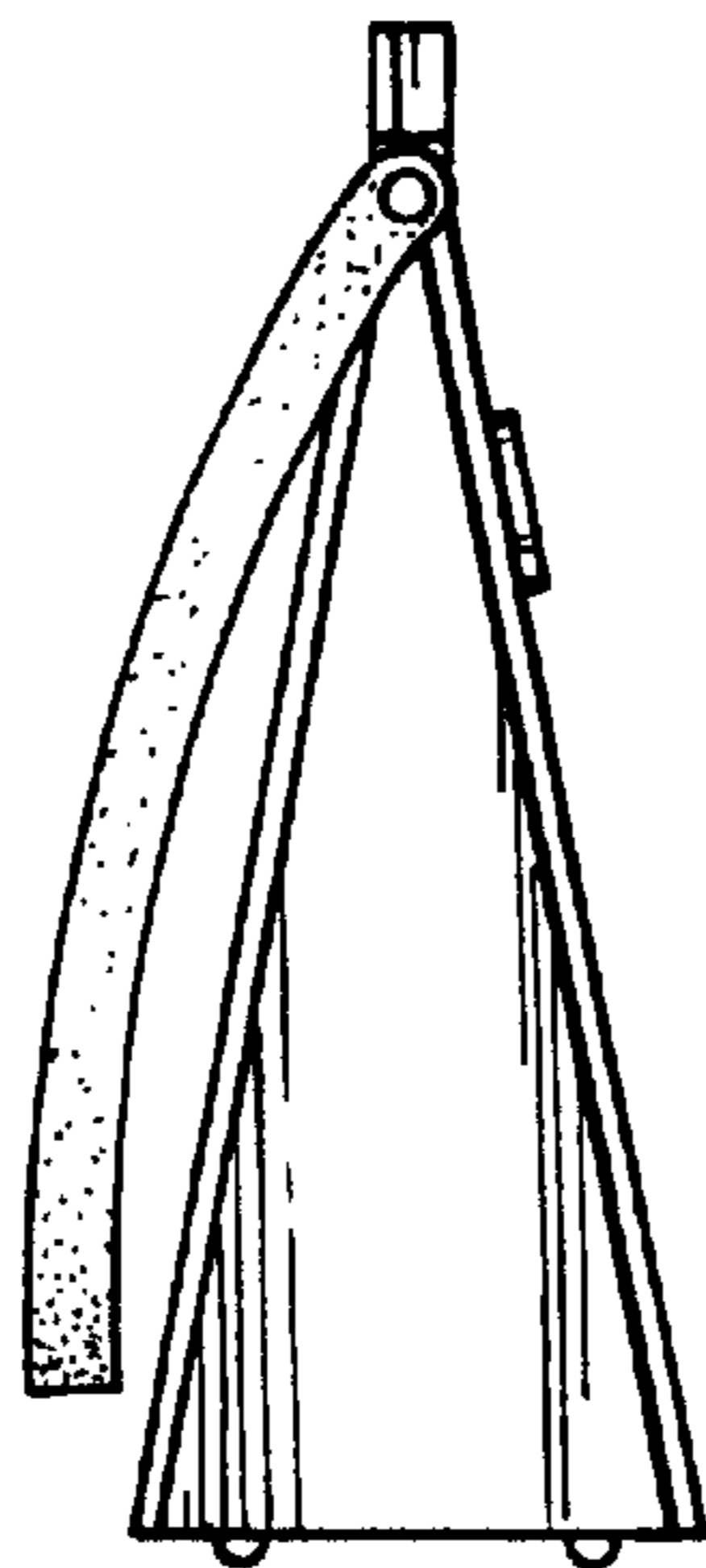


FIG. 4

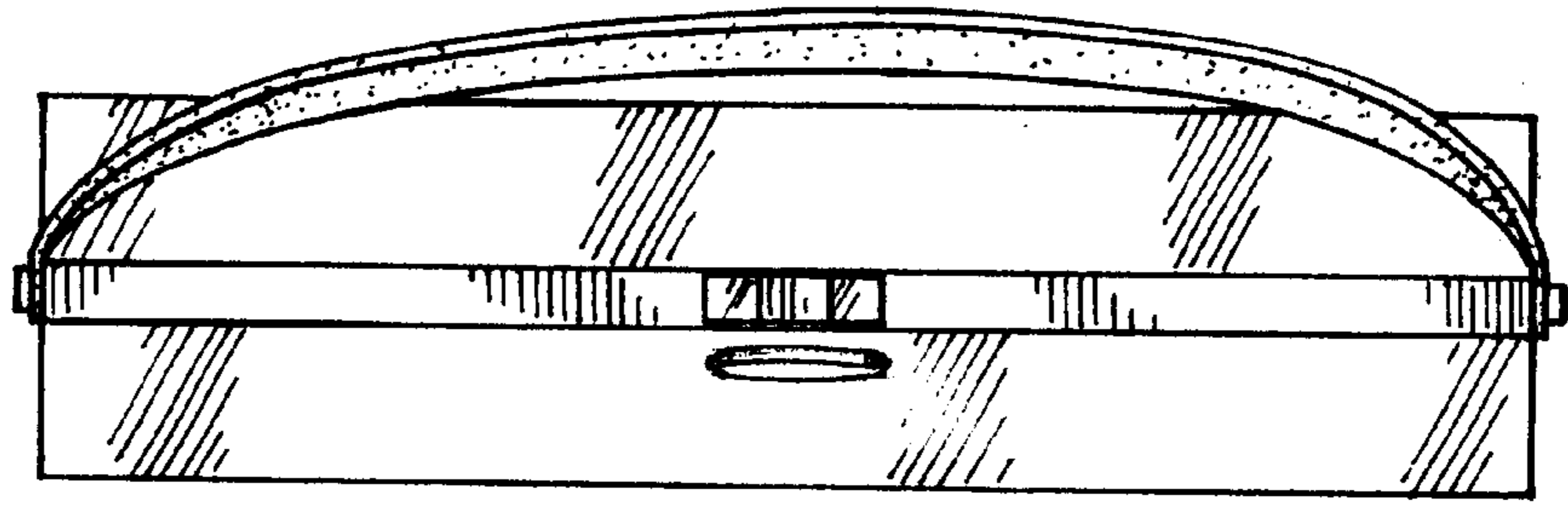


FIG. 6

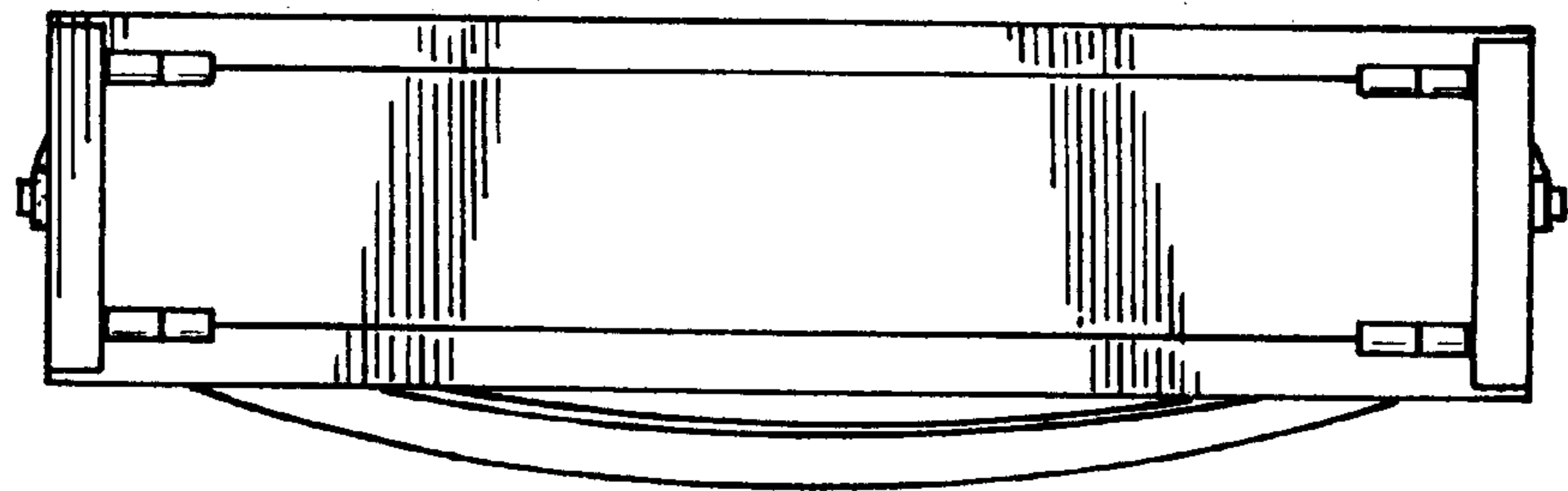


FIG. 7