



US00D476803S

(12) **United States Design Patent**
Margolis

(10) **Patent No.:** **US D476,803 S**

(45) **Date of Patent:** **** Jul. 8, 2003**

(54) **SELF-ALIGNING TIP FOR A CRUTCH AND CANE**

6,439,250 B1 * 8/2002 Balan 135/67

* cited by examiner

(75) **Inventor:** **Bernard S. Margolis**, West Bloomfield, MI (US)

Primary Examiner—Louis S. Zarfes

Assistant Examiner—Robert A. Delehanty

(73) **Assignee:** **Cane-Ga-Roo, Inc.**, West Bloomfield, MI (US)

(74) *Attorney, Agent, or Firm*—Alex Rhodes

(**) **Term:** **14 Years**

(57) **CLAIM**

The ornamental design for a self-aligning tip for a crutch and cane, as shown and described.

(21) **Appl. No.:** **29/153,955**

DESCRIPTION

(22) **Filed:** **Jan. 17, 2002**

(51) **LOC (7) Cl.** **03-03**

(52) **U.S. Cl.** **D3/17**

(58) **Field of Search** D3/5, 6, 7, 10, D3/13, 14, 16, 17; 135/98, 15.1, 16, 65, 66, 67, 68, 77, 82, 910, 911

FIG. 1 is a plan view of a self-aligning tip for a crutch and cane, showing my new design;

FIG. 2 is a front elevational view of the self-aligning tip;

FIG. 3 is a bottom view of the self-aligning tip;

FIG. 4 is perspective view of the self-aligning tip;

FIG. 5 is a side elevation view of the self-aligning tip shown in condition of use with a cane; and,

FIG. 6 is a side elevation view of the self-aligned tip shown in condition of use with a crutch.

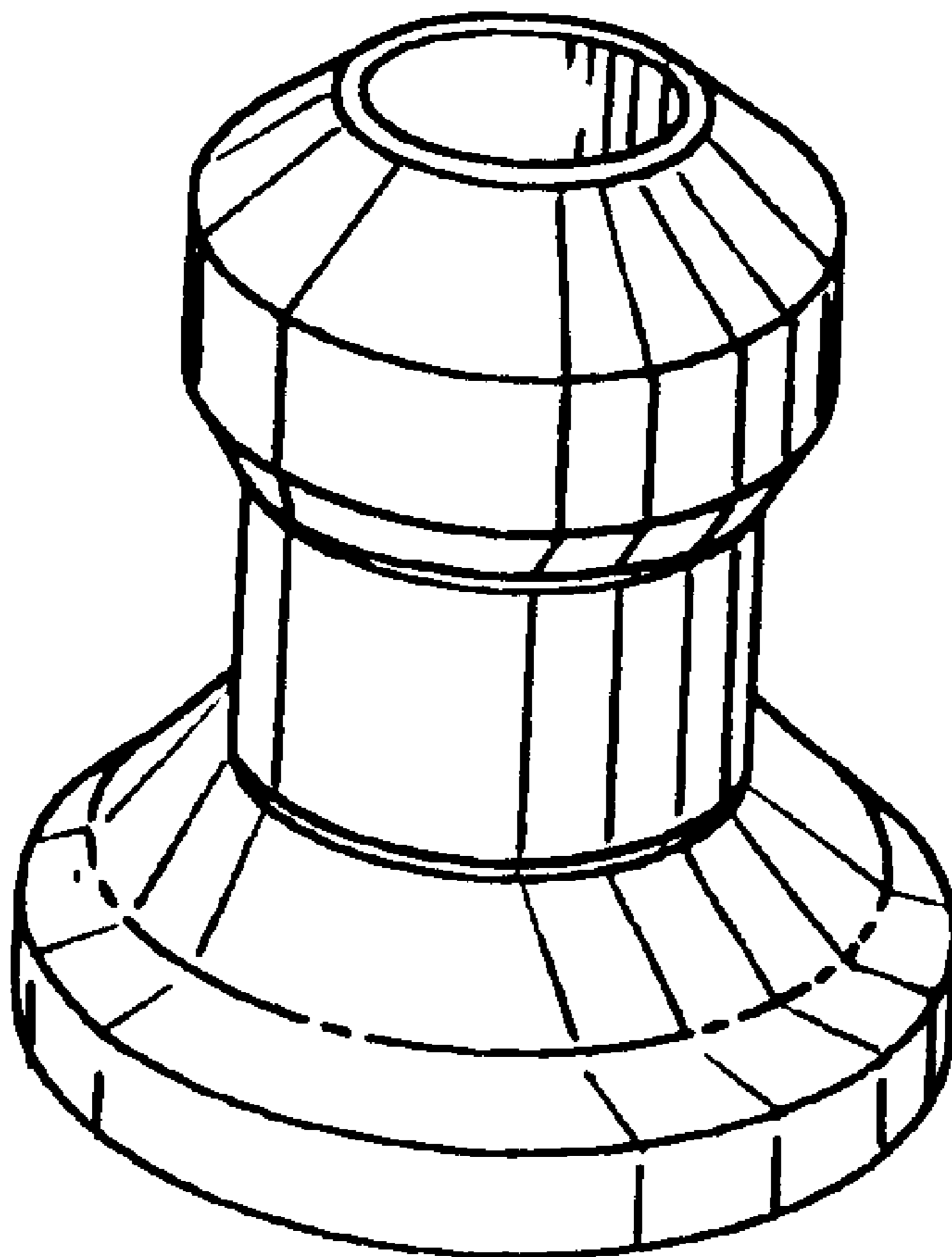
The broken line showing of a cane and a crutch is for illustrative purposes only and forms no part of the claimed design.

(56) **References Cited**

U.S. PATENT DOCUMENTS

- D20,276 S * 11/1890 Clogg D3/17
- D132,195 S * 4/1942 Shedlo D3/17
- D417,070 S * 11/1999 Wyler D3/17

1 Claim, 2 Drawing Sheets



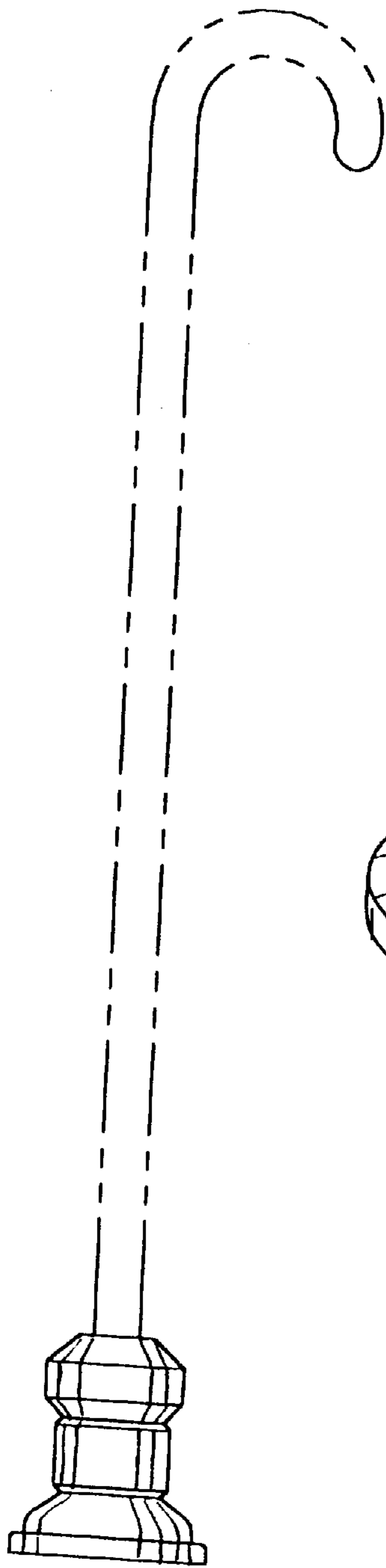


FIG. 5

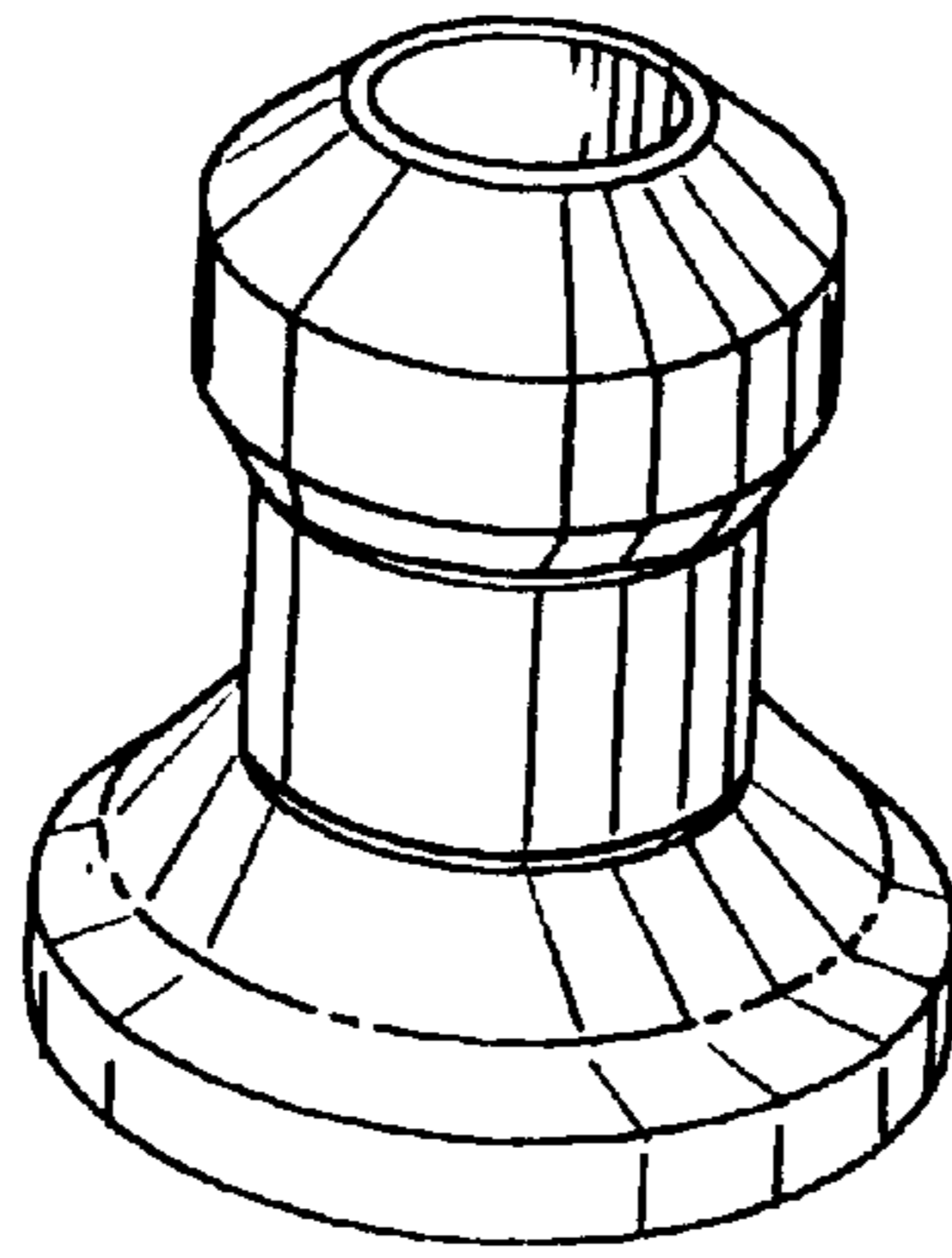


FIG. 4

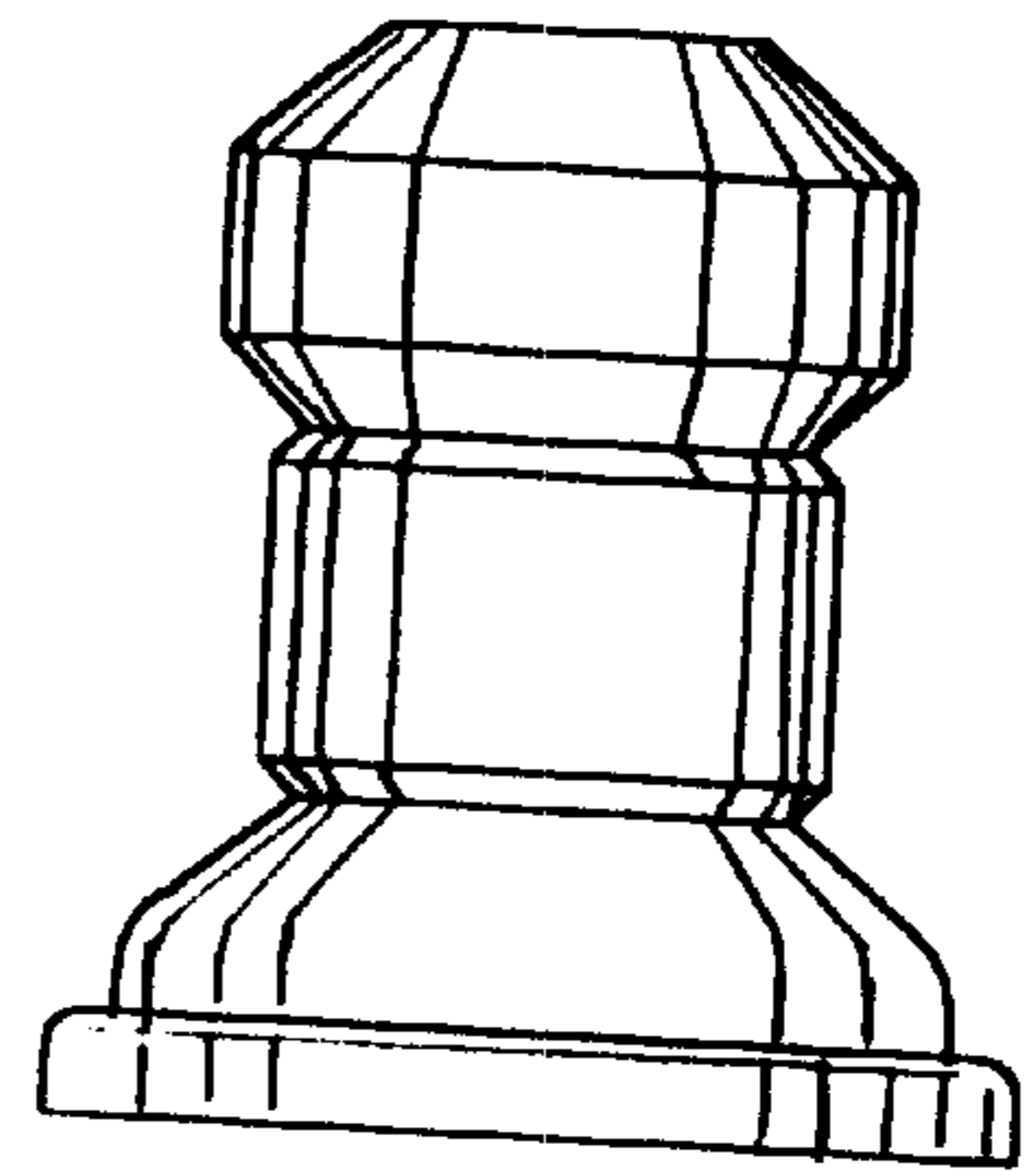


FIG. 2

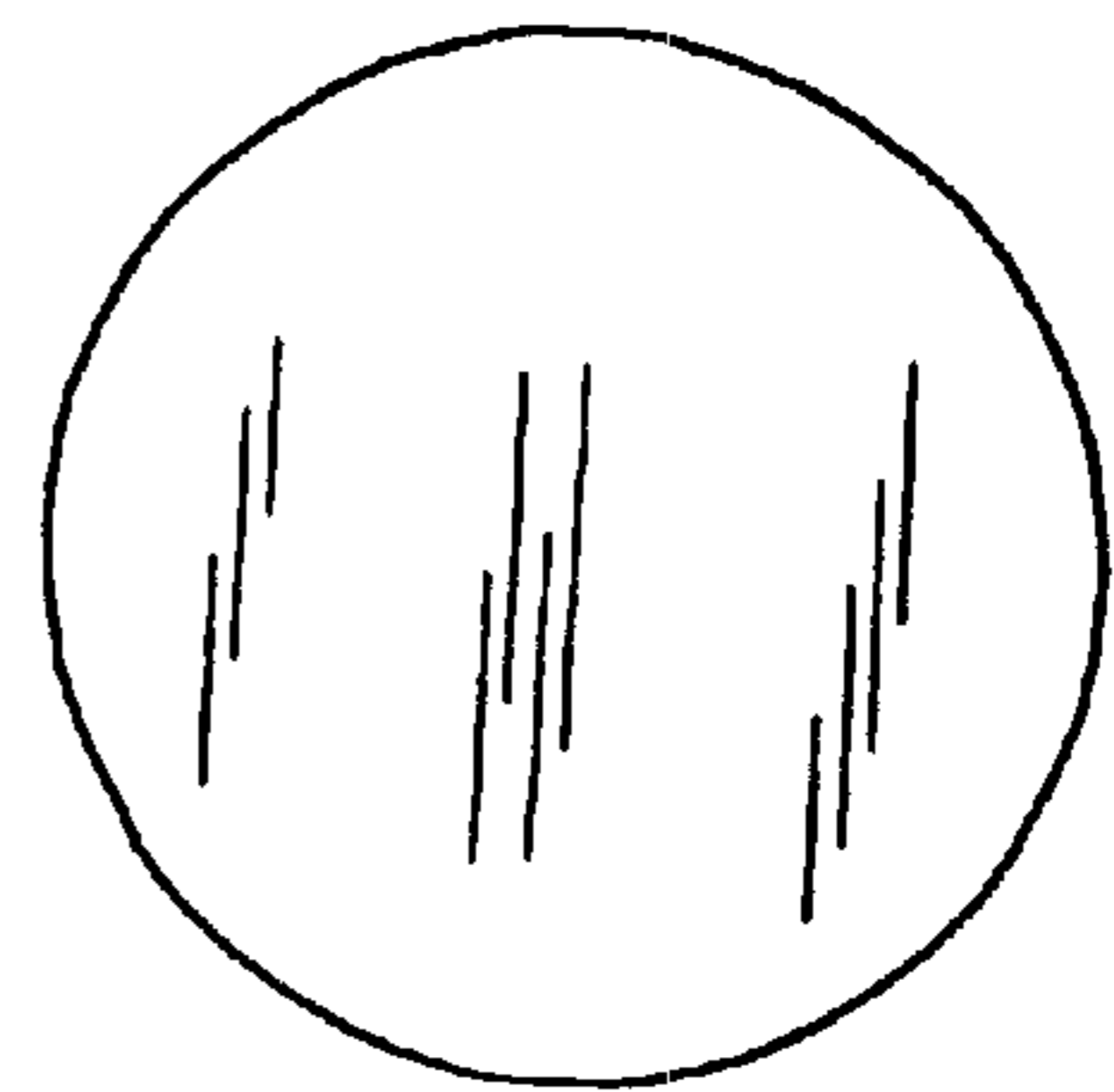


FIG. 3

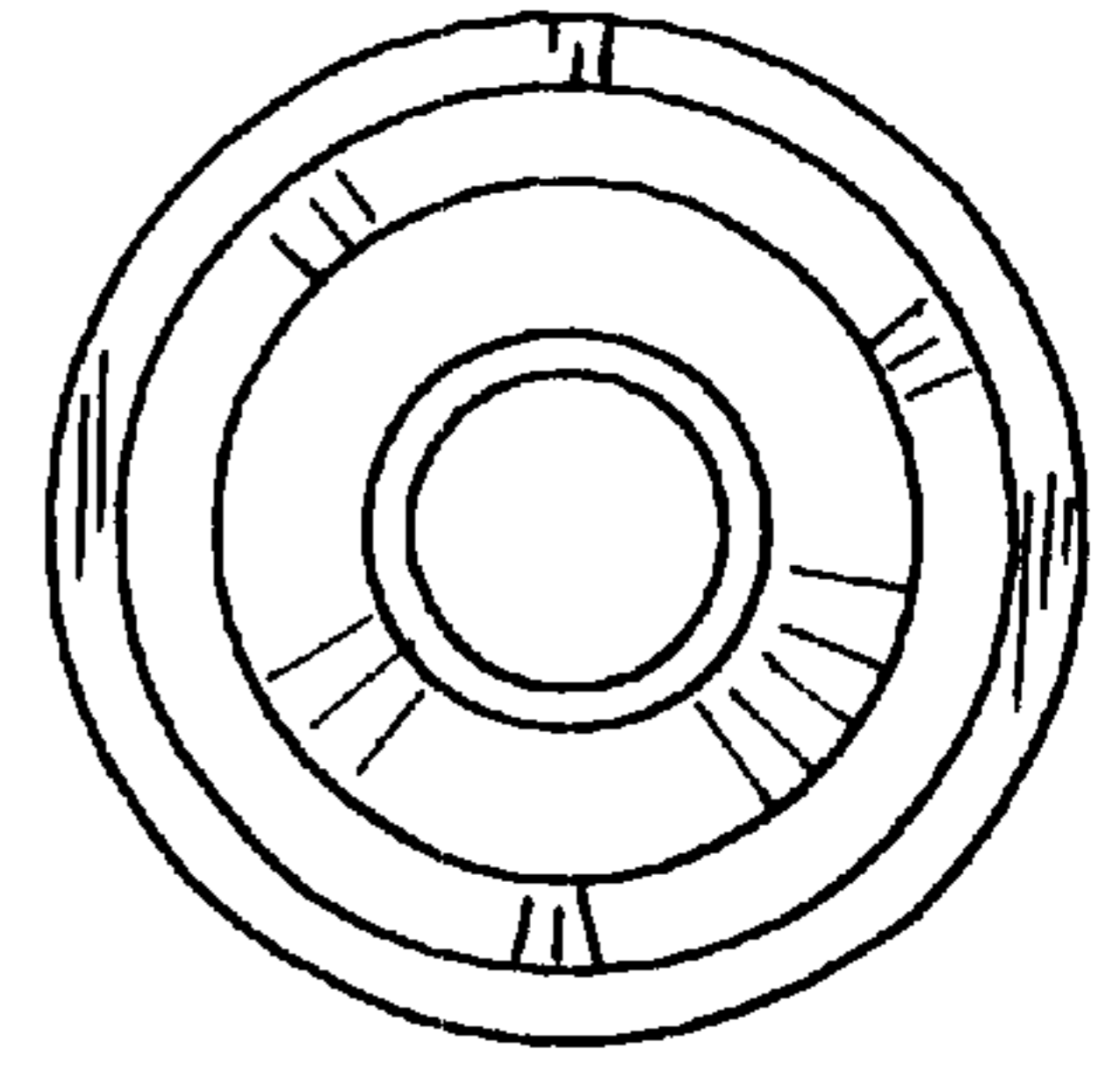


FIG. 1

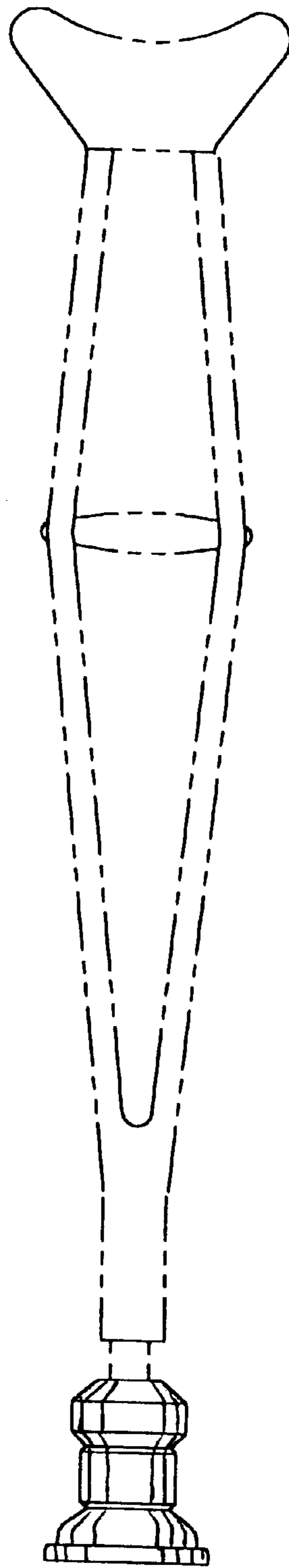


FIG. 6