



US00D476797S

(12) **United States Design Patent**
Schenone

(10) **Patent No.:** **US D476,797 S**

(45) **Date of Patent:** **** Jul. 8, 2003**

(54) **PORTION OF A SHOE**

(75) Inventor: **Dave J. Schenone**, Beaverton, OR (US)

(73) Assignee: **Nike, Inc.**, Beaverton, OR (US)

(**) Term: **14 Years**

(21) Appl. No.: **29/175,648**

(22) Filed: **Feb. 10, 2003**

(51) **LOC (7) Cl.** **02-99**

(52) **U.S. Cl.** **D2/946; D2/916**

(58) **Field of Search** D2/896, 902, 903,
D2/946, 969, 916-918; 36/45, 50.1, 11.5

(56) **References Cited**

U.S. PATENT DOCUMENTS

D132,292 S	*	5/1942	Benton	D2/918
D163,359 S	*	5/1951	Braun	D2/916
D172,251 S	*	5/1954	Salmeri	D2/918
3,001,302 A	*	9/1961	Farley	36/11.5
D215,402 S	*	9/1969	Cordoba de Balseiro	D2/918
D296,951 S		8/1988	Brickwood		
4,967,750 A	*	11/1990	Cherniak	36/140
5,615,496 A	*	4/1997	Sharpstein	36/11.5
D422,780 S		4/2000	Aguerre		
6,237,249 B1		5/2001	Aguerre		
2002/0124434 A1		9/2002	Hsin et al.		

OTHER PUBLICATIONS

Nike Footwear Catalog Spring 1985—Freestyle, p. 11, published 1985.

Nike Footwear Catalog Fall 1990, p. 40, published Dec. 1989.

Nike Footwear Catalog Spring 1992, p. 8, published May 1991.

Nike Footwear Catalog Fall 1999, p. W77, published Nov. 1998.

Nike Footwear Catalog Holiday 1999, p. W25, published Mar. 1999.

Nike Footwear Catalog Spring 2000 #1, pp. W23 and 89, published Jul. 1999.

Nike Footwear Catalog Spring 2000 #2, pp. W41, 8 and 9, published Jul. 1999.

Nike Footwear Catalog Spring 2001, pp. 90 and 101, published Jun. 2000.

Nike Footwear Catalog Holiday 2001, p. 23, published Feb. 2001.

Nike Footwear Fall 2002, p. 73, published Nov. 2001.

Nike Footwear Fall 2003, p. 45, published Nov. 2002.

* cited by examiner

Primary Examiner—Dominic Simone

(74) *Attorney, Agent, or Firm*—Banner & Witcoff, Ltd.

(57) **CLAIM**

The ornamental design for a portion of a shoe, as shown and described.

DESCRIPTION

FIG. 1 is a perspective view of a portion of a shoe showing my new design;

FIG. 2 is a front view thereof;

FIG. 3 is a rear view thereof;

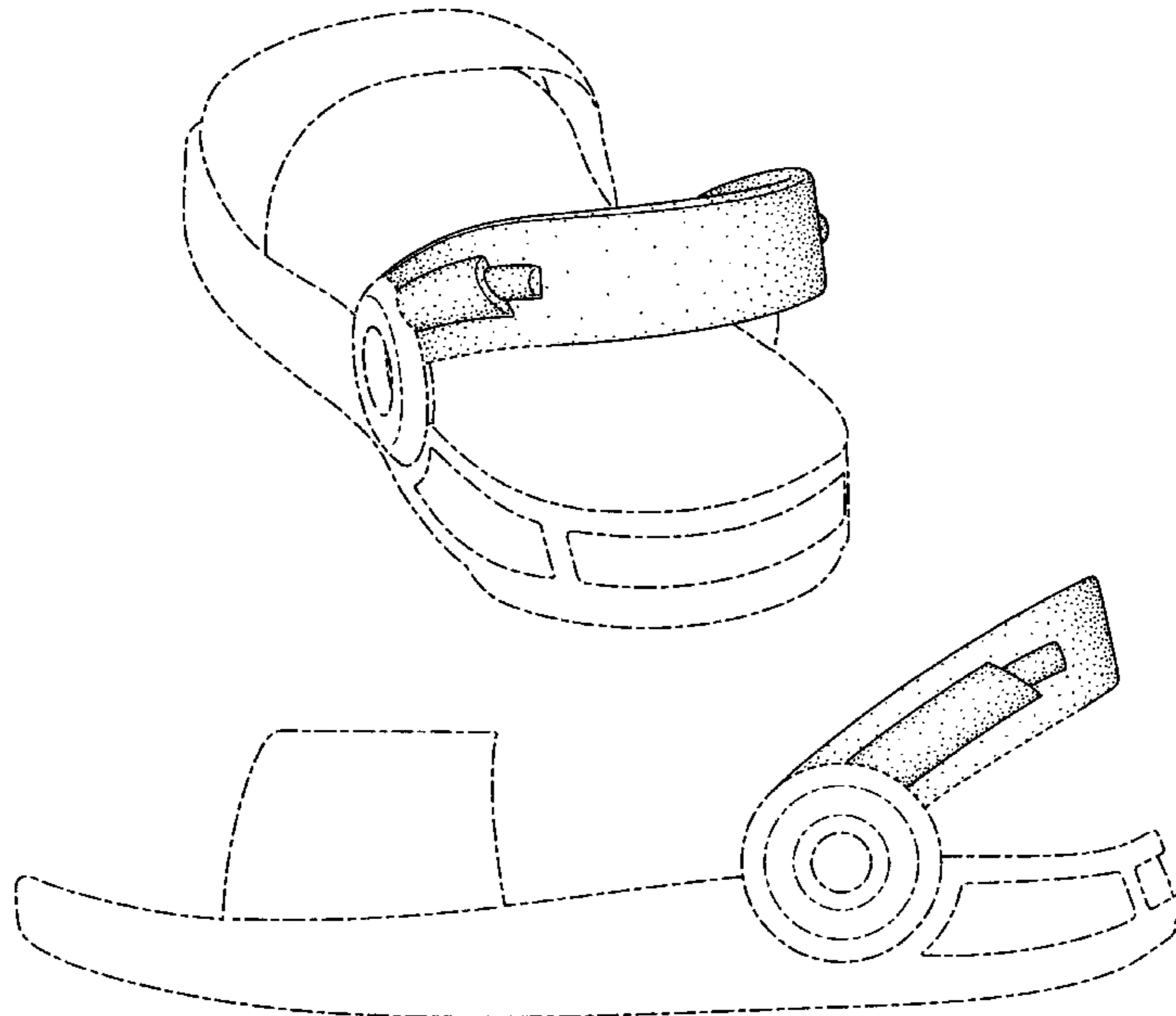
FIG. 4 is a side view thereof;

FIG. 5 is a side view of the other side thereof; and,

FIG. 6 is a top view thereof.

The broken line immediately adjacent to the shaded area represents an unclaimed boundary of the design. The uneven broken line showing of the remainder of the shoe is for illustrative purposes only and forms no part of the claimed design.

1 Claim, 5 Drawing Sheets



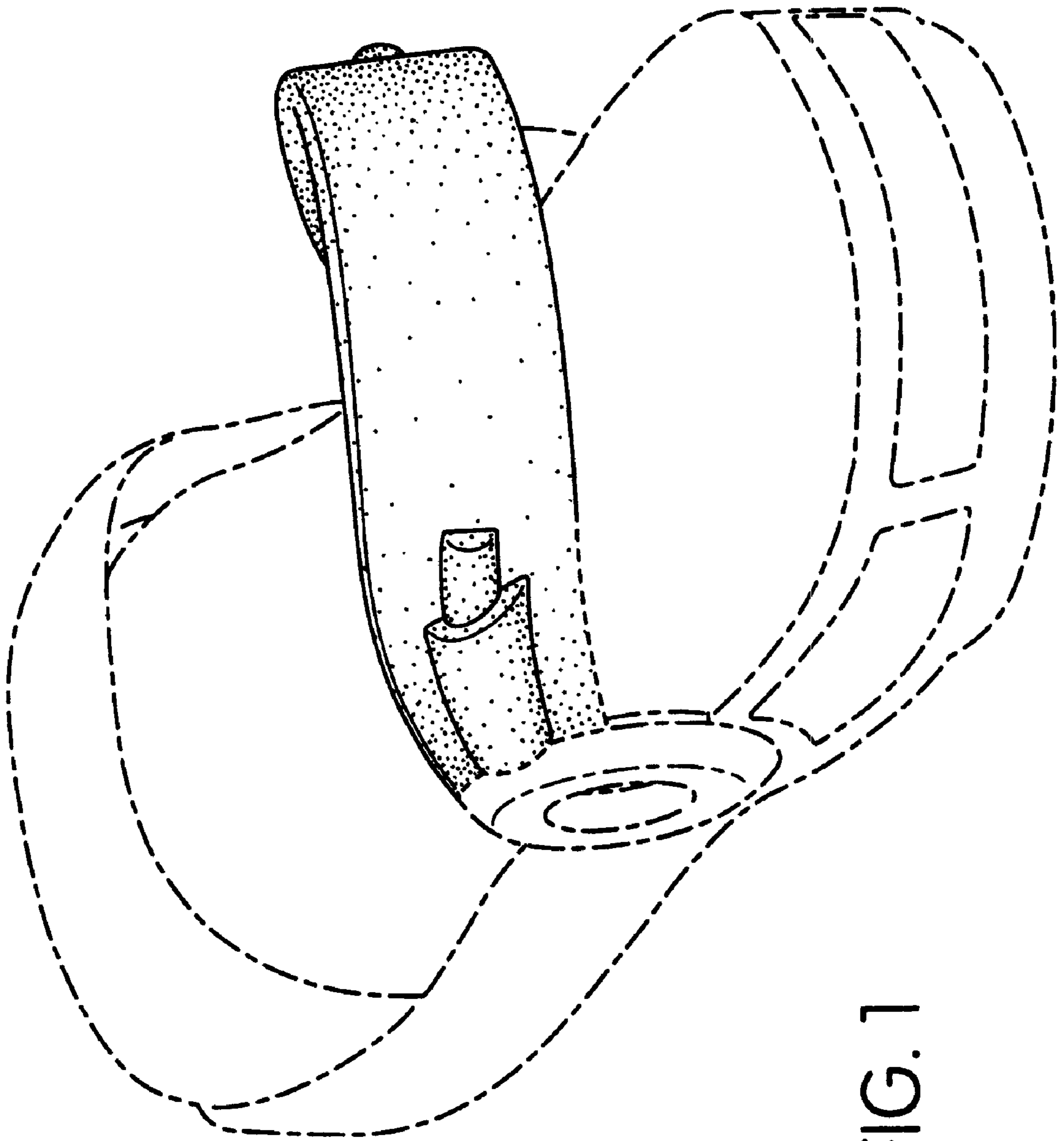


FIG. 1

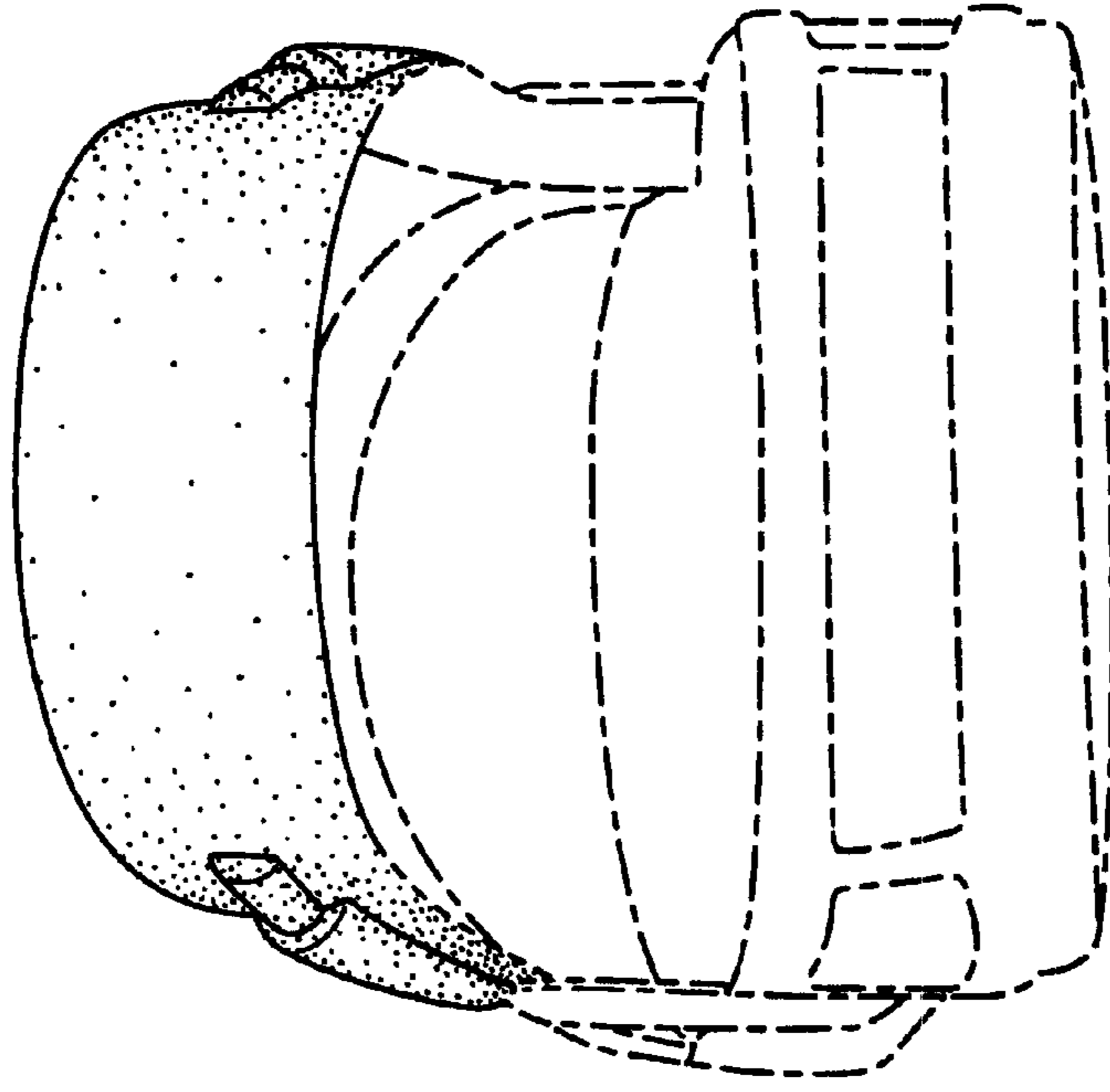


FIG. 3

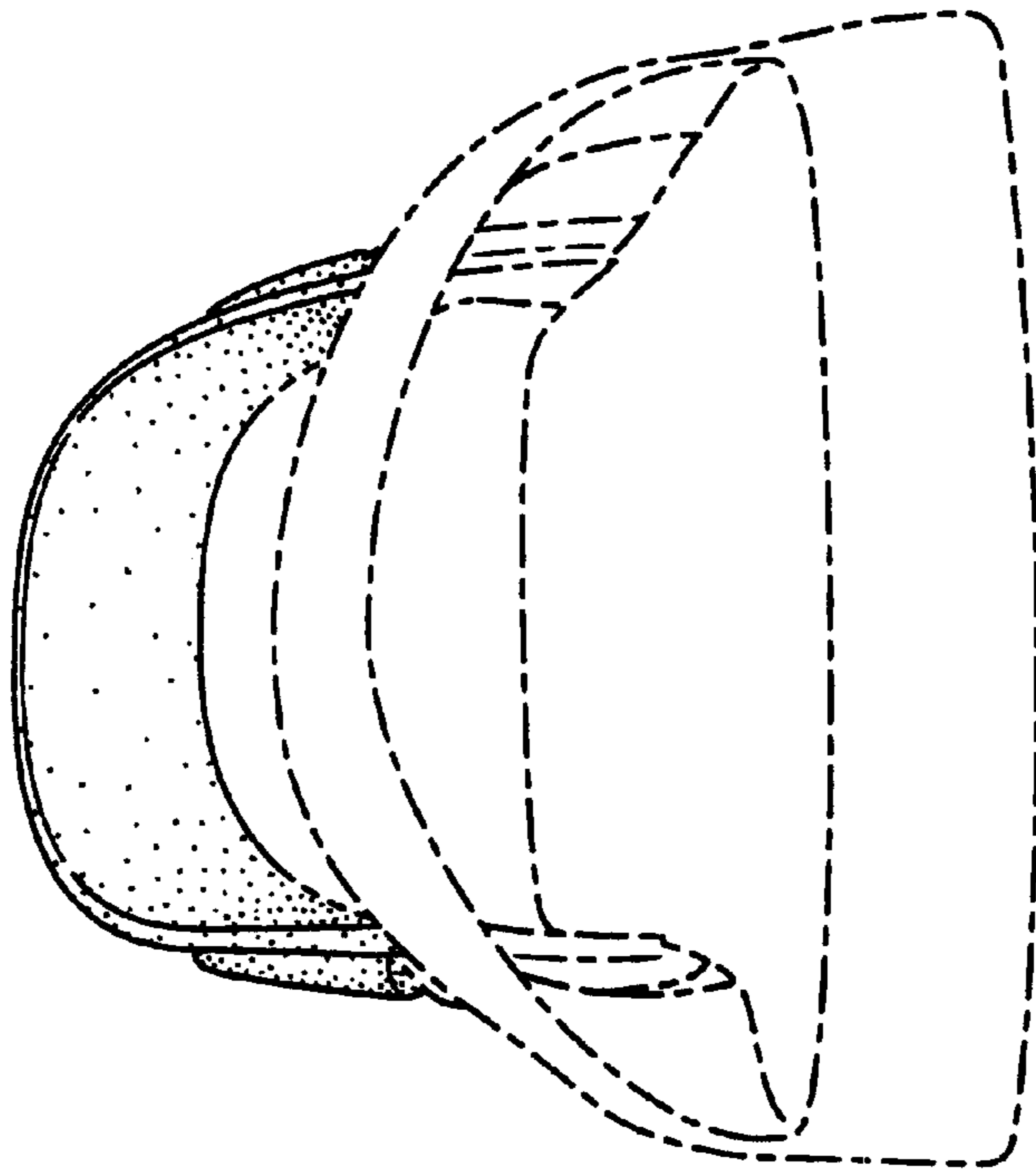


FIG. 2

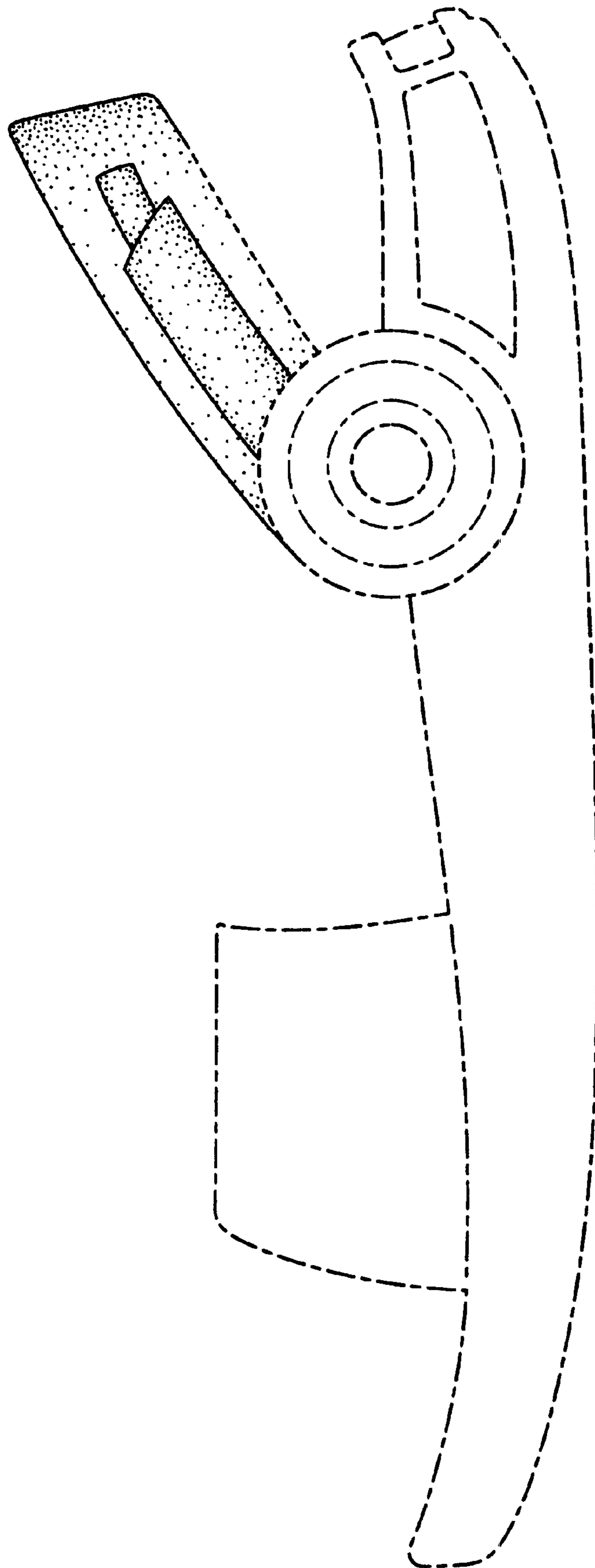


FIG. 4

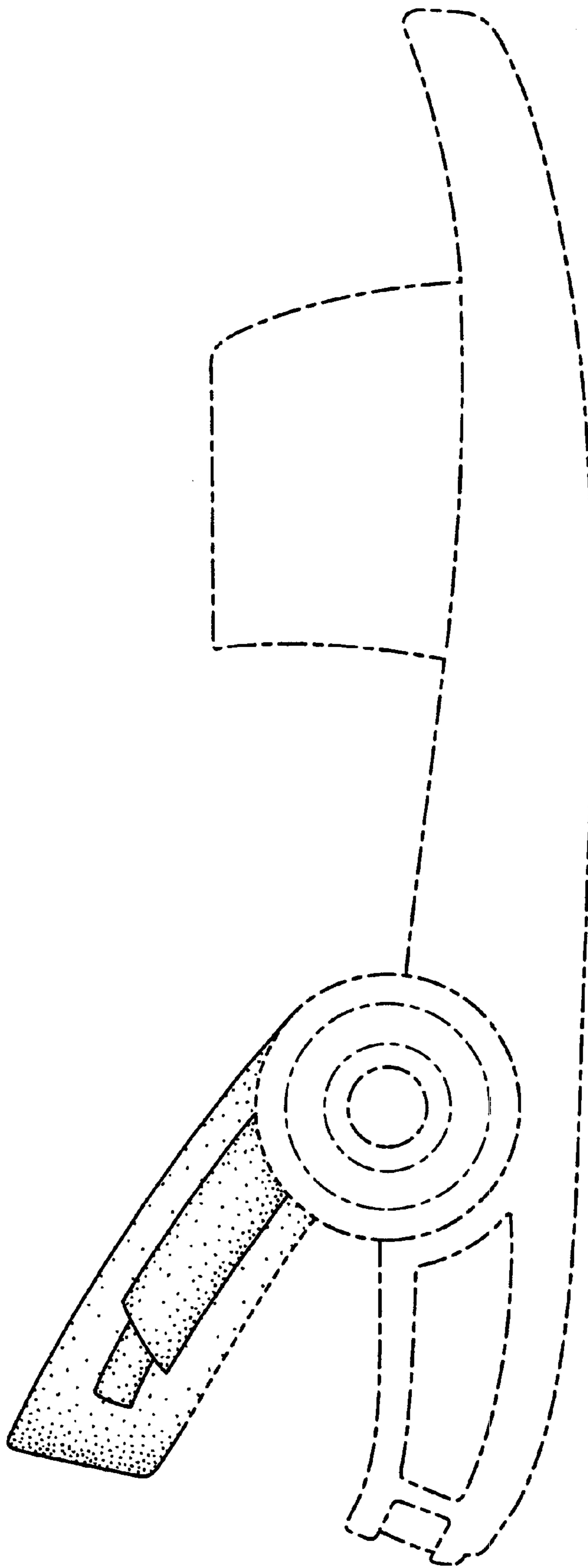


FIG. 5

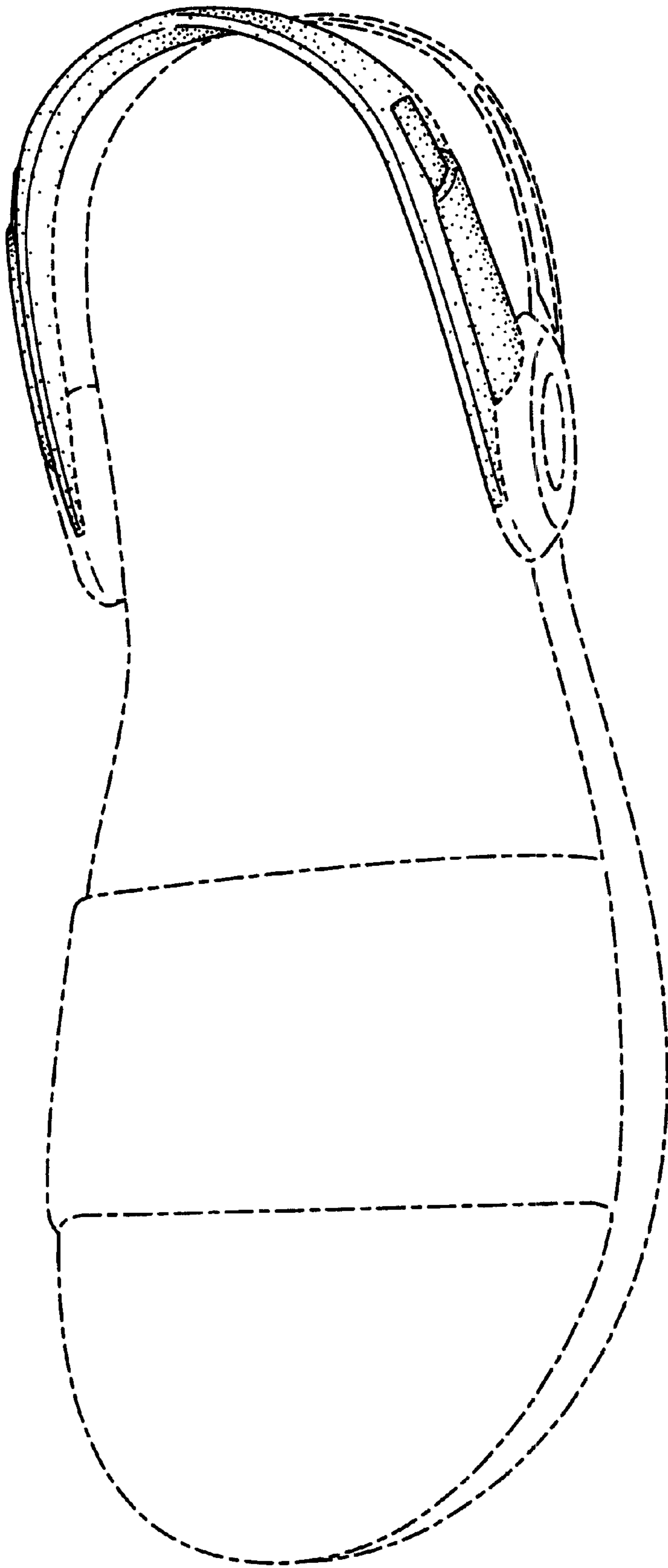


FIG. 6