



US00D476792S

(12) **United States Design Patent**
Macari

(10) **Patent No.:** **US D476,792 S**

(45) **Date of Patent:** **** Jul. 1, 2003**

(54) **PORTABLE MAIL SLOT CHUTE WITH
CLEAT AND THUMB GRIP FOR MAIL
CARRIER**

D346,265 S * 4/1994 Smith D99/29
5,775,578 A 7/1998 Baxi et al.
6,378,769 B1 * 4/2002 Wolgamot 232/44

(76) Inventor: **Albert Macari**, 2A Moffat Crescent,
Kochgelly, Fife (GB), KY5-9NZ

* cited by examiner

Primary Examiner—Paula A. Mortimer

(**) Term: **14 Years**

(74) *Attorney, Agent, or Firm*—Donald R. Schoonover

(21) Appl. No.: **29/167,168**

(57) **CLAIM**

(22) Filed: **Sep. 11, 2002**

The ornamental design for a portable mail slot chute with cleat and thumb grip for mail carrier, as shown and described.

(51) **LOC (7) Cl.** **99-00**

(52) **U.S. Cl.** **D99/43; D99/29**

(58) **Field of Search** D99/29, 31, 32;
232/17, 19, 20, 22, 28, 34, 39, 1 E, 45,
47, 44; 193/34; D34/1, 10, 11; 109/68

DESCRIPTION

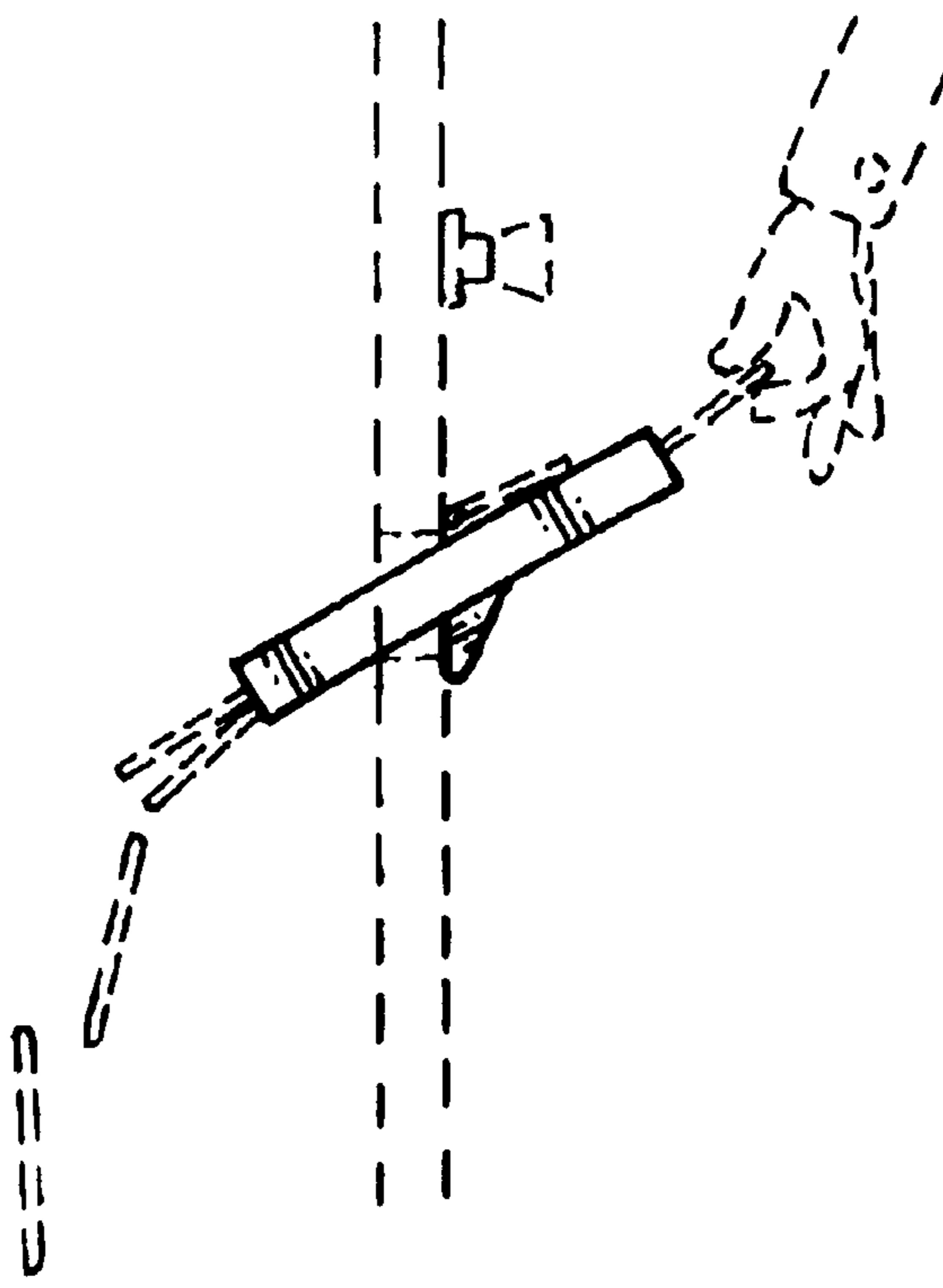
(56) **References Cited**

U.S. PATENT DOCUMENTS

483,525 A	*	10/1892	Becket	232/20
D147,727 S		10/1947	Hallamore		
2,868,444 A	*	1/1959	Whittier	232/45
2,934,261 A	*	4/1960	Eaton	232/44
3,107,848 A		10/1963	Penta		
3,189,265 A		6/1965	Franklin		
3,593,914 A	*	7/1971	Van Orden	232/47
3,885,668 A		5/1975	McClain		
4,600,143 A		7/1986	Harlow, Jr. et al.		
4,776,512 A		10/1988	Moore, Sr. et al.		

FIG. 1 is a perspective view of the portable mail slot chute with cleat and thumb grip for mail carrier embodying the design of the present invention;
FIG. 2 is a front elevational view thereof;
FIG. 3 is a rear elevational view thereof;
FIG. 4 is a right side elevational view thereof, the left side elevational view being a mirror image thereof;
FIG. 5 is a top plan view thereof;
FIG. 6 is a bottom plan view thereof; and,
FIG. 7 is a side elevational view showing the portable mail slot chute with cleat and thumb grip for mail carrier in use; the broken lines depict environmental structure and form no part of the claimed design.

1 Claim, 3 Drawing Sheets



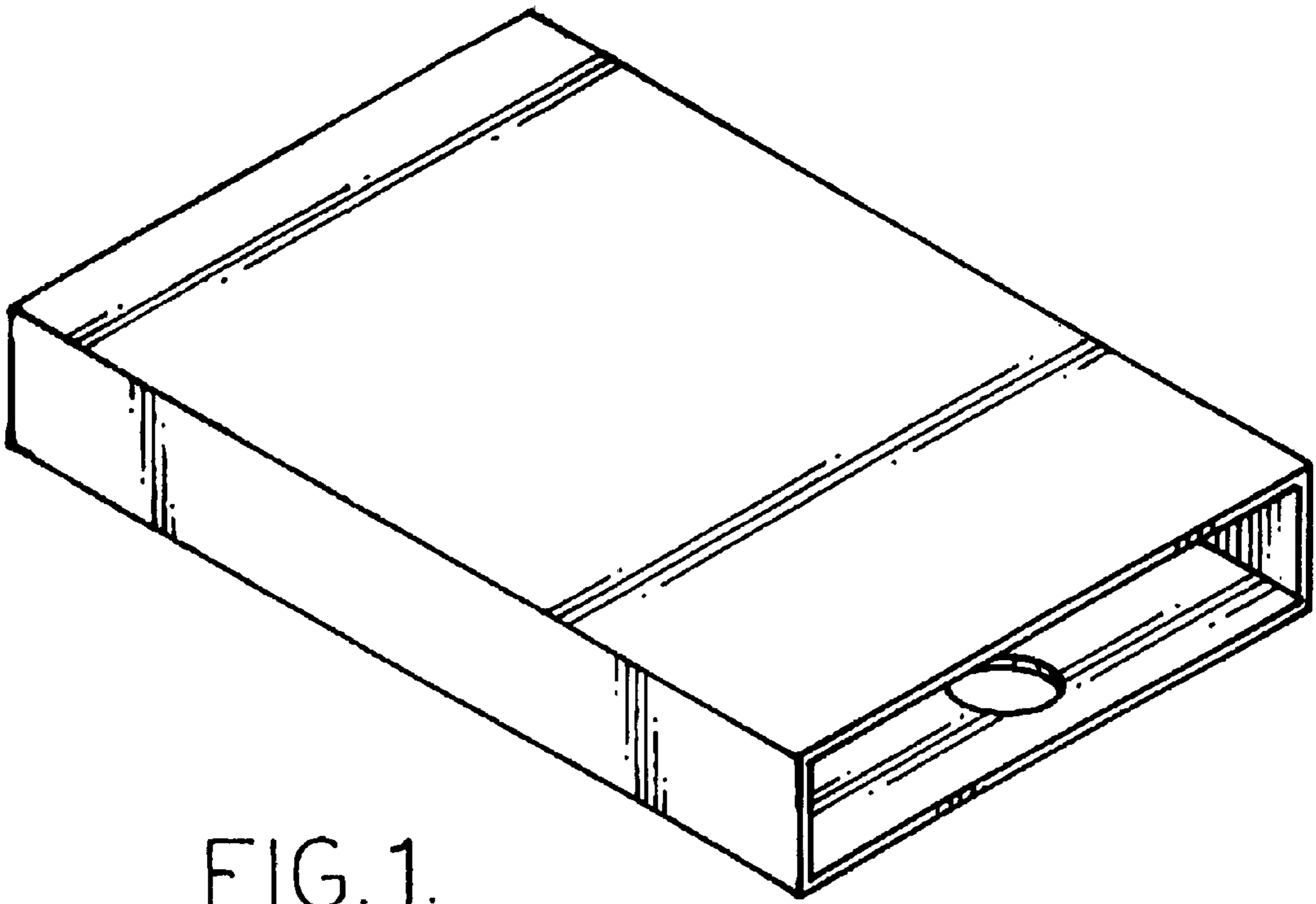


FIG. 1.

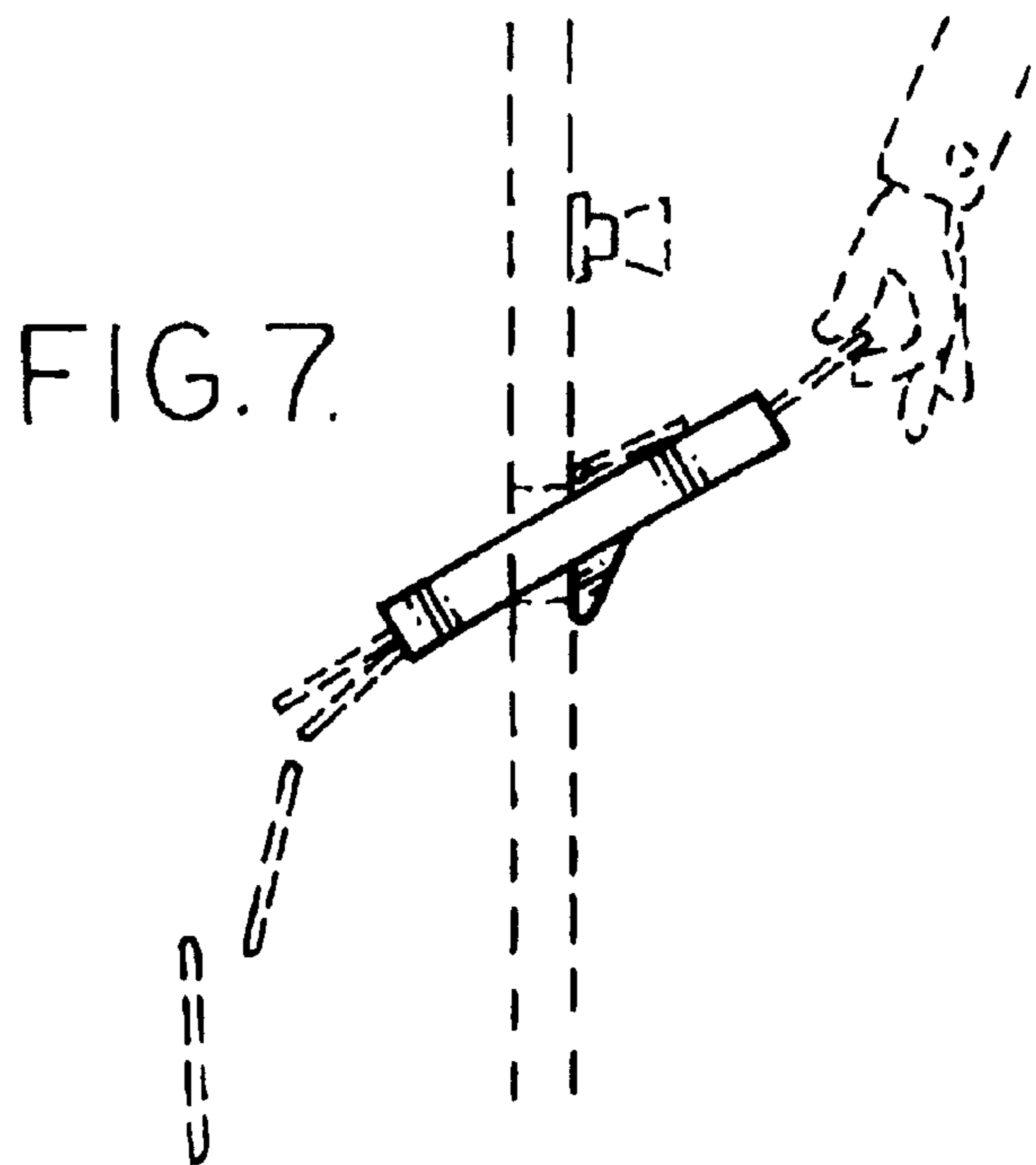


FIG. 7.

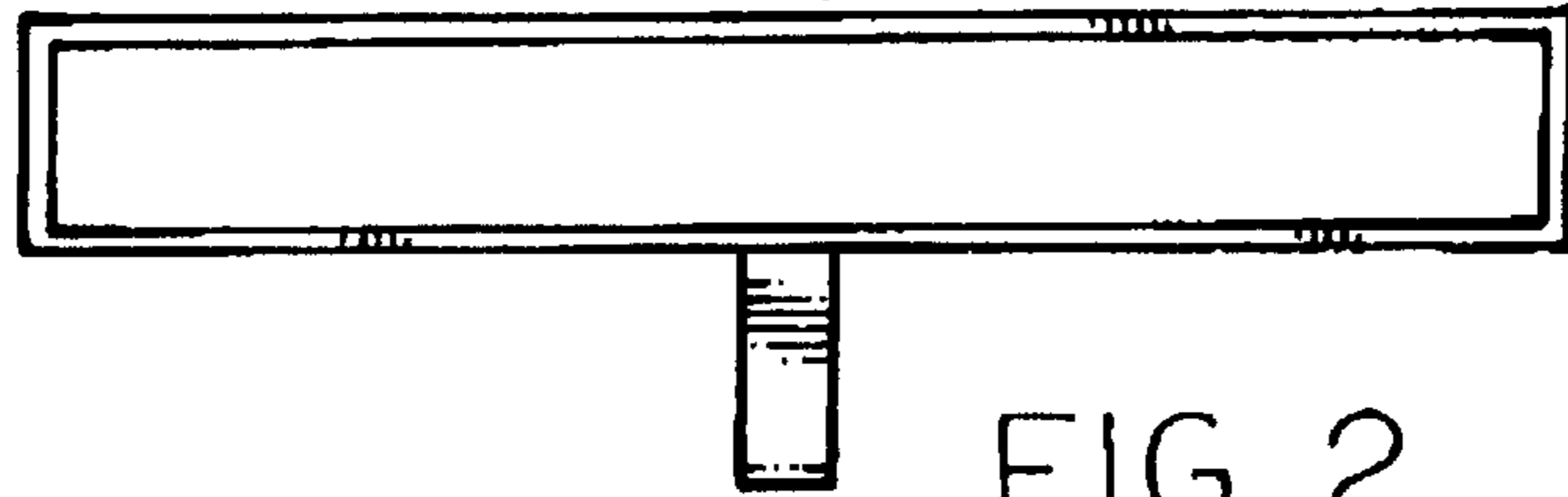


FIG. 2.

FIG. 4.

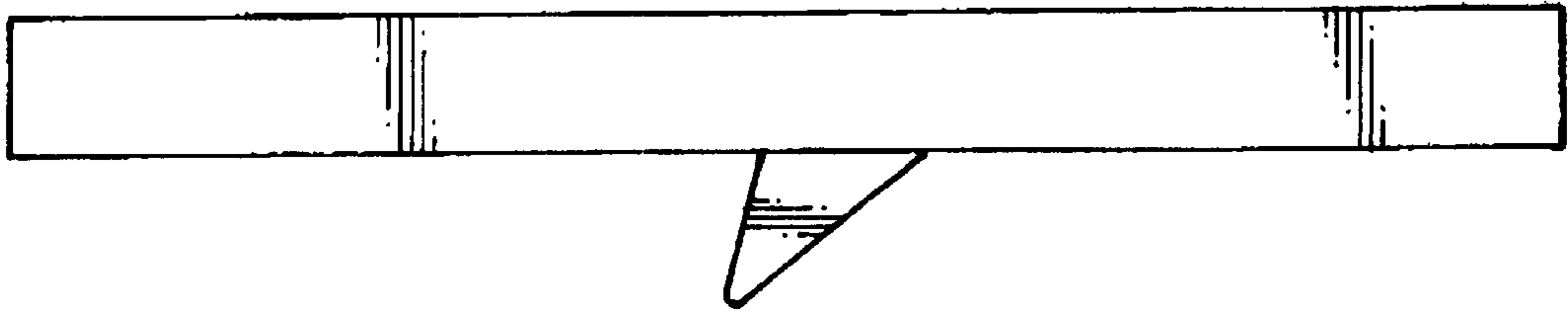
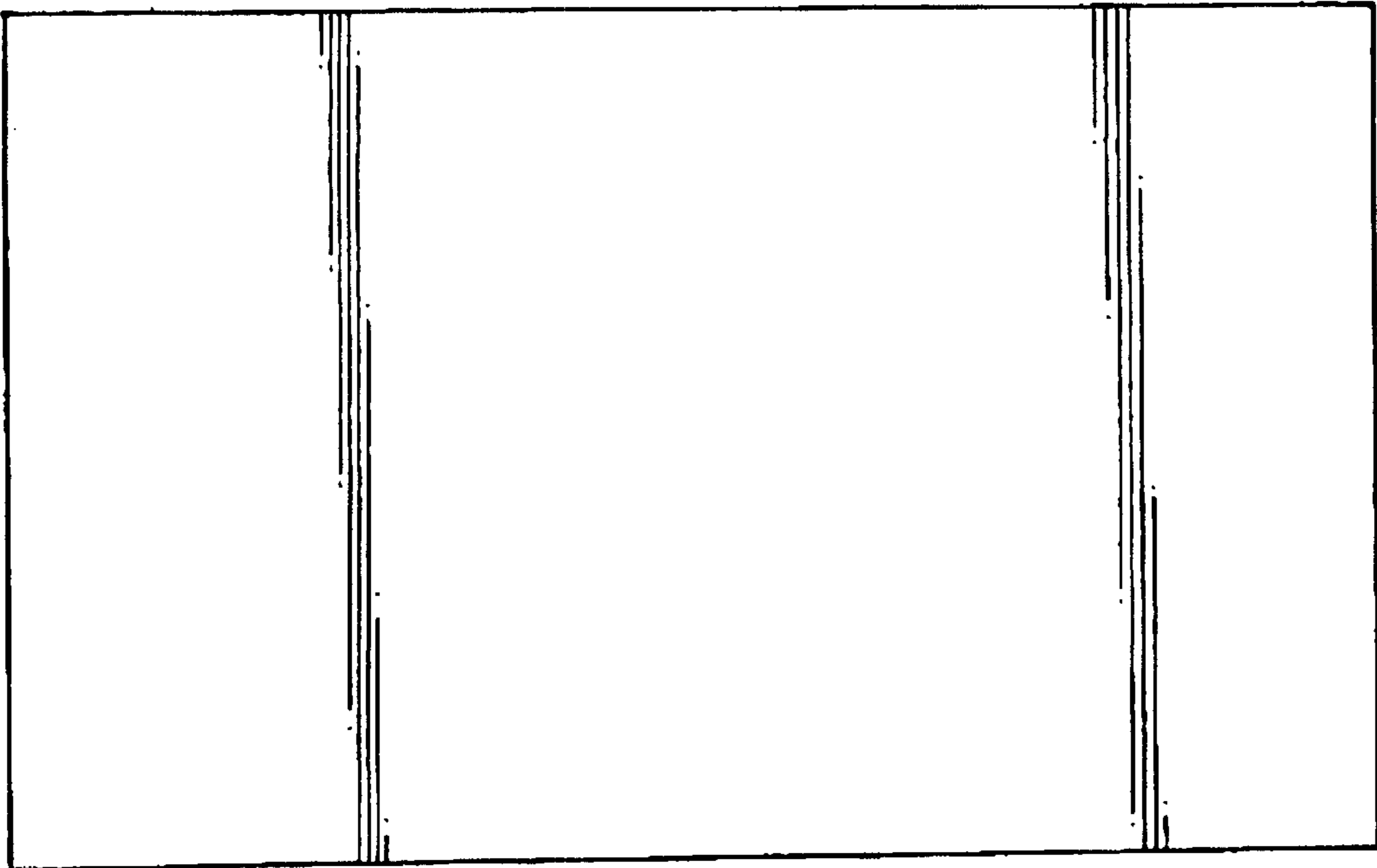


FIG. 5.



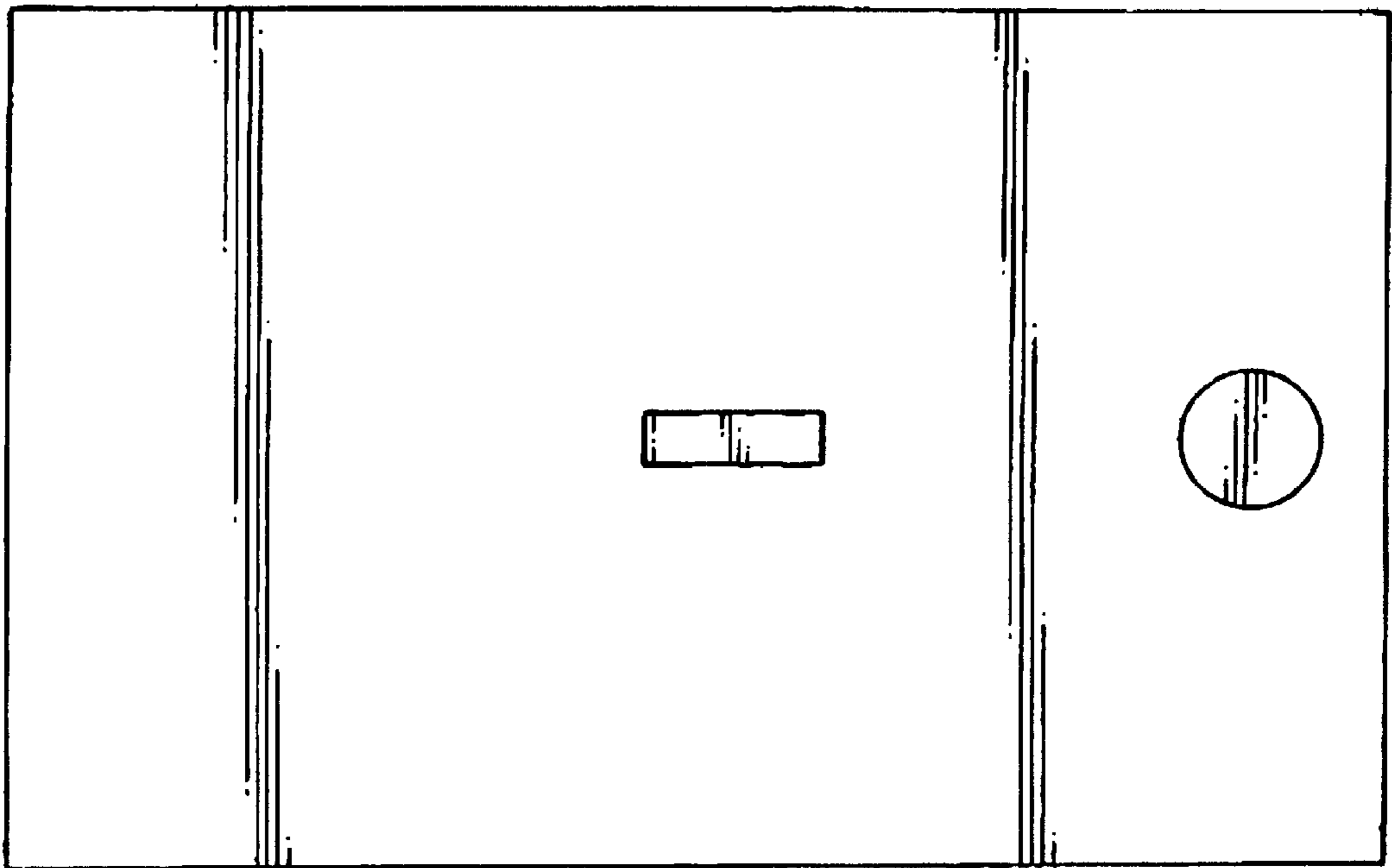


FIG. 6.

FIG. 3.

