



US00D476790S

(12) **United States Design Patent**
Ruiz, Jr.

(10) **Patent No.:** **US D476,790 S**

(45) **Date of Patent:** **** Jul. 1, 2003**

(54) **ILLUMINATED RELIEF**

D344,690 S * 3/1994 Gilliard D11/160
D462,292 S * 9/2002 Hanlon et al. D11/124

(76) Inventor: **Robert Ruiz, Jr.**, 3020 Sunset Dr.,
Edinburg, TX (US) 78539

* cited by examiner

(**) Term: **14 Years**

Primary Examiner—Paula A. Mortimer

(21) Appl. No.: **29/161,334**

(57) **CLAIM**

(22) Filed: **May 28, 2002**

The ornamental design for a illuminated relief, as shown and described.

(51) **LOC (7) Cl.** **11-02**

DESCRIPTION

(52) **U.S. Cl.** **D99/25**

(58) **Field of Search** D99/25; D26/18;
D11/121, 122, 124, 128, 157, 160, 162;
428/3, 9, 16; 362/31, 124

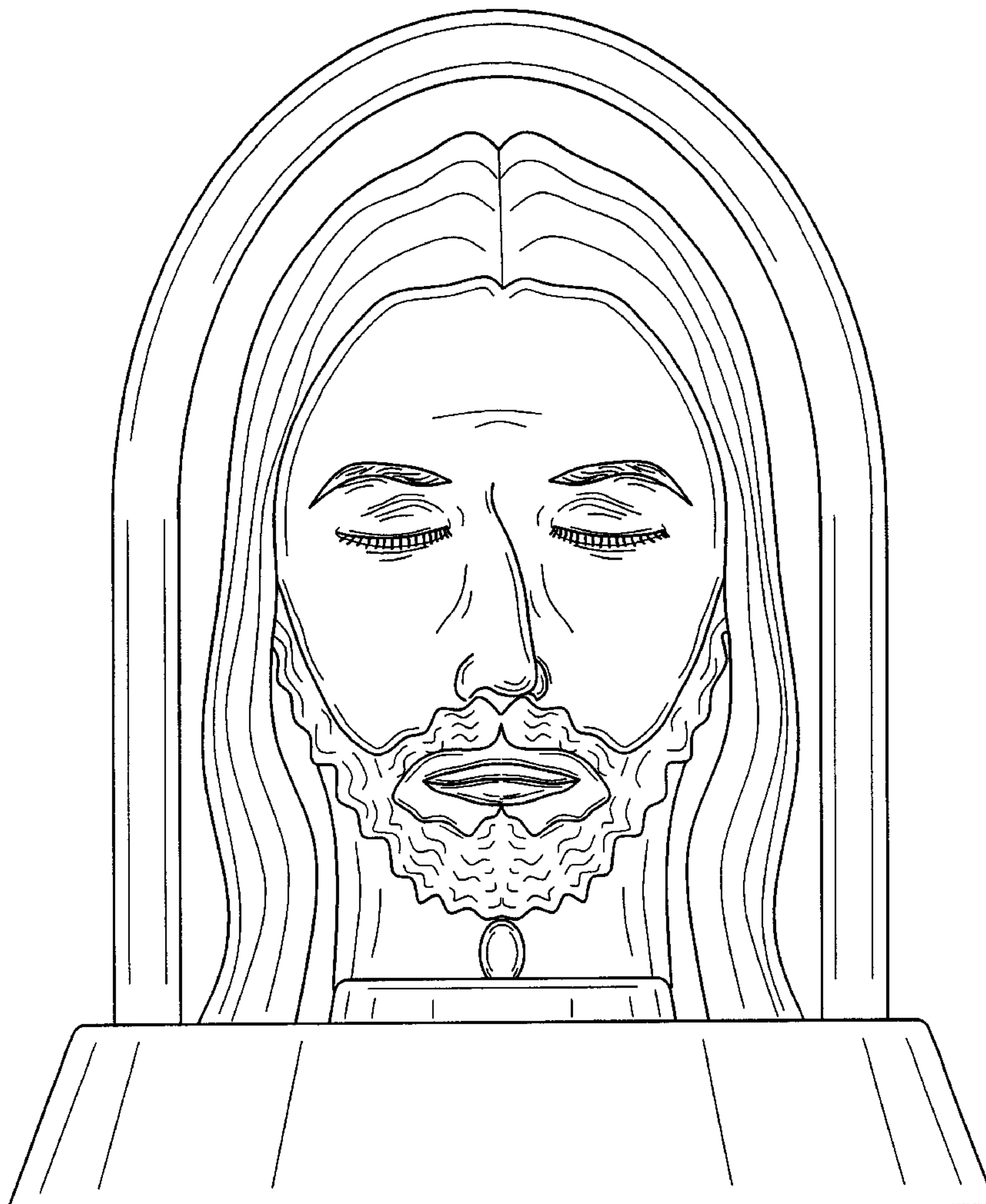
FIG. 1 is a front elevational view of a illuminated relief showing my new design;
FIG. 2 is a rear elevational view thereof;
FIG. 3 is a side view, taken from the left side of FIG. 1, the right side view being a mirror image thereof;
FIG. 4 is a top plan view thereof; and,
FIG. 5 is a bottom plan view thereof.
The cord in FIGS. 3 and 4 is drawn broken away for purposes of illustration.

(56) **References Cited**

U.S. PATENT DOCUMENTS

D163,853 S * 7/1951 Cerracchio D11/122
3,205,350 A * 9/1965 Roszkowski et al. 362/124
D250,885 S * 1/1979 Newman D11/160
D260,442 S * 8/1981 Leach D26/18

1 Claim, 5 Drawing Sheets



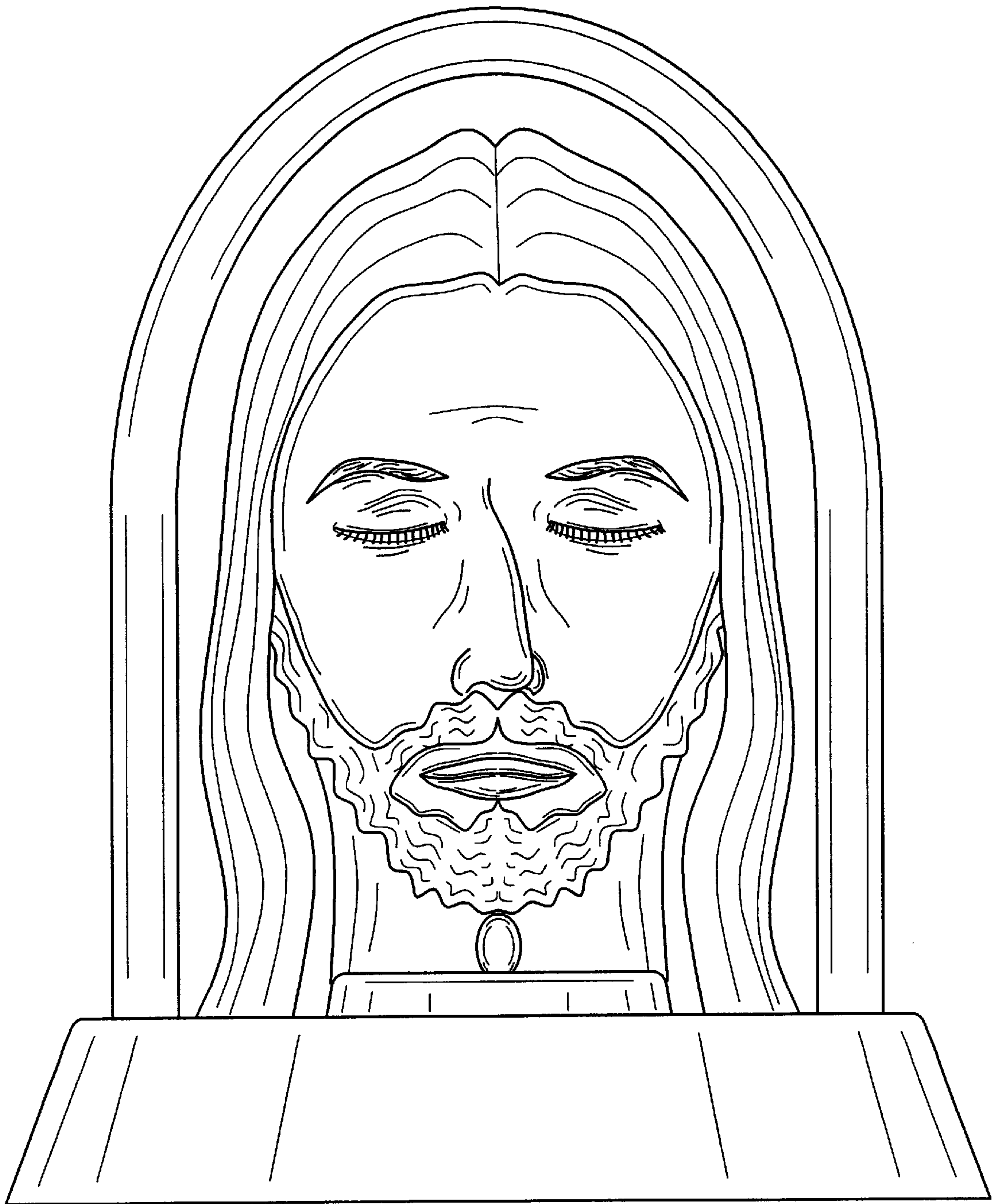


FIG. 1

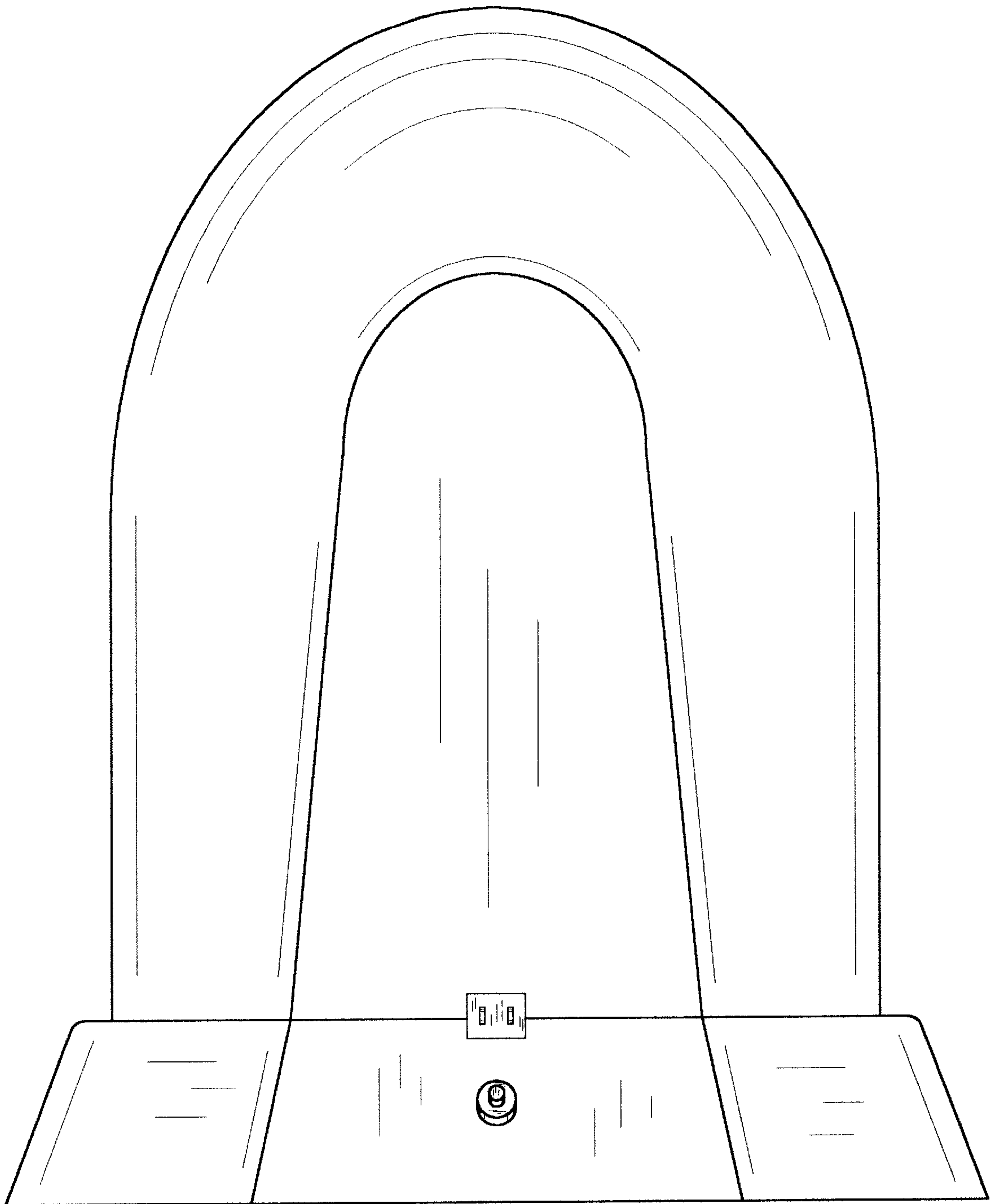


FIG. 2

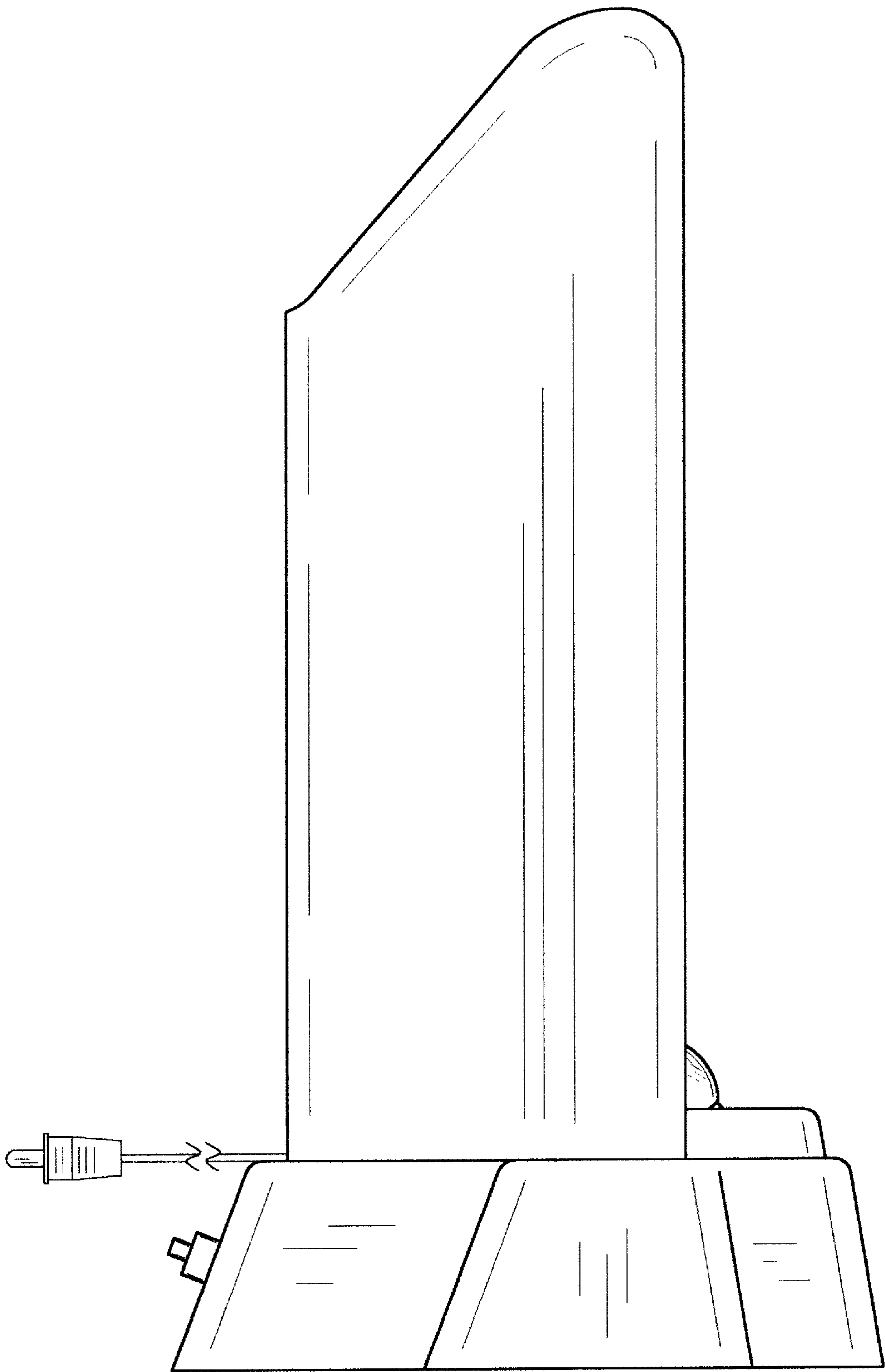


FIG. 3

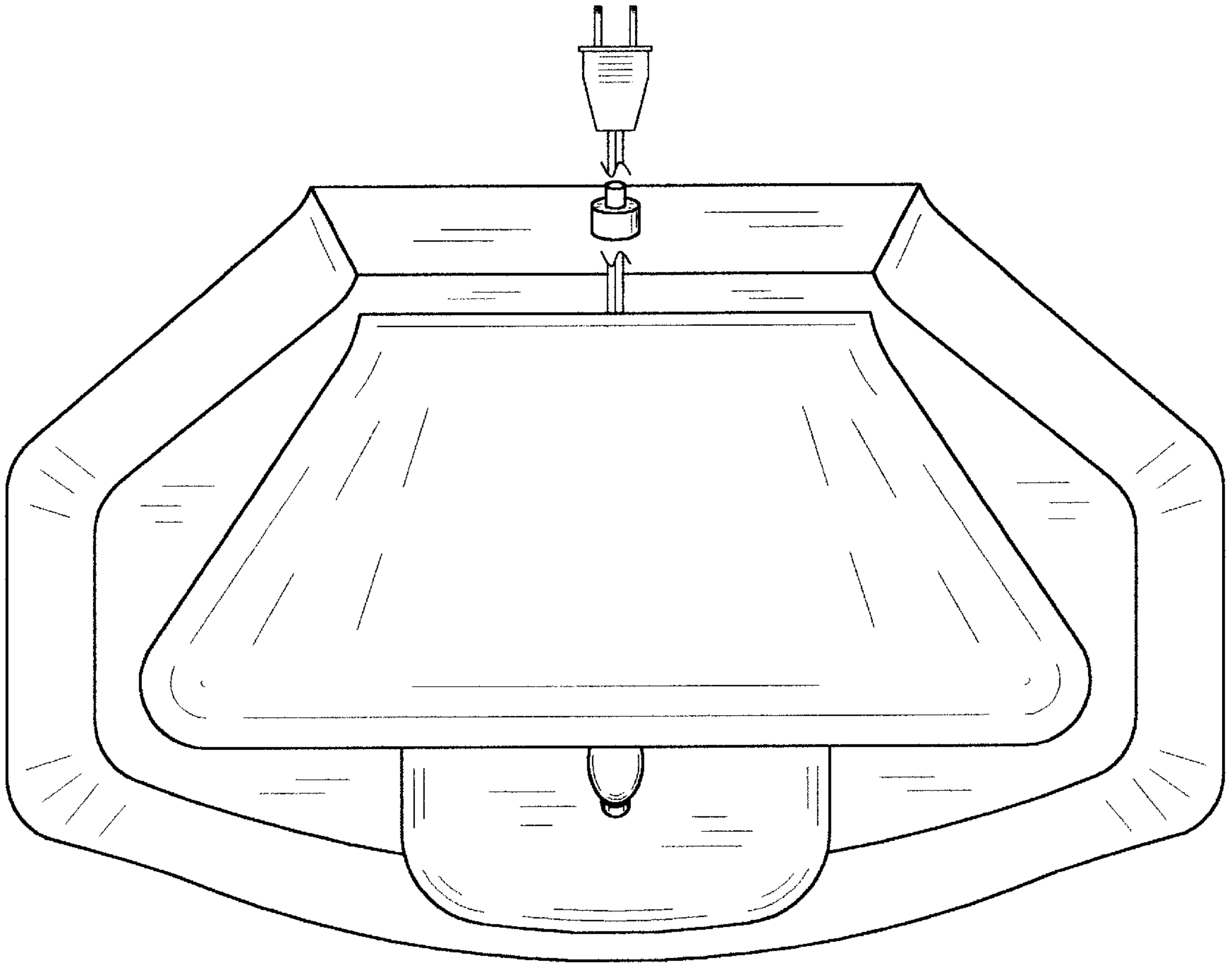


FIG. 4

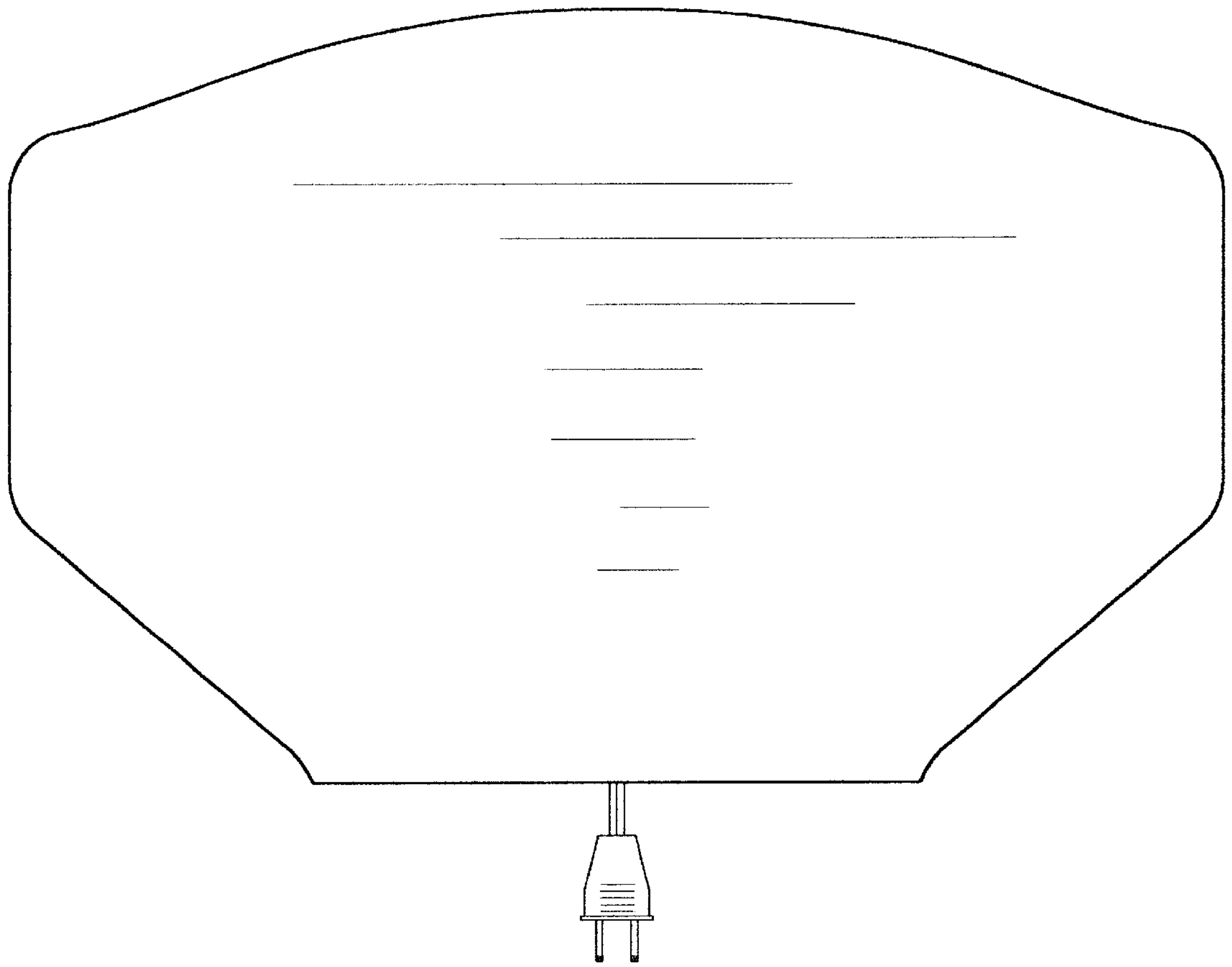


FIG. 5