



US00D476789S

(12) **United States Design Patent**
Apps et al.

(10) **Patent No.: US D476,789 S**

(45) **Date of Patent: ** Jul. 1, 2003**

(54) **PALLET**

(75) **Inventors: William P. Apps, Alpharetta, GA (US); Sean T. Ogburn, Lawrenceville, GA (US)**

(73) **Assignee: Rehrig Pacific Company, Los Angeles, CA (US)**

(**) **Term: 14 Years**

(21) **Appl. No.: 29/152,661**

(22) **Filed: Dec. 18, 2001**

(51) **LOC (7) Cl. 09-08**

(52) **U.S. Cl. D34/38**

(58) **Field of Search D34/38; 108/51.11, 108/52.1, 53.1, 54.1, 56.1, 57.1, 53.3; 248/346.06, 346.01**

(56) **References Cited**

U.S. PATENT DOCUMENTS

- 2,991,965 A 7/1961 Drieborg
- 3,126,843 A 3/1964 DeLaney
- 3,327,654 A * 6/1967 Duncan et al. 108/53.1
- 3,481,285 A 12/1969 Yellin
- D221,636 S * 8/1971 Moses D34/38
- 3,626,869 A * 12/1971 Colas 108/51
- 3,638,586 A 2/1972 Elshout
- 3,720,176 A 3/1973 Munroe
- 3,759,194 A 9/1973 Fujii et al.
- 3,795,206 A 3/1974 Utz
- 3,938,448 A 2/1976 Nishitani et al.
- 4,051,787 A 10/1977 Nishitani et al.
- D246,296 S 11/1977 Fujii et al.
- 4,230,050 A 10/1980 Mays
- 4,230,051 A 10/1980 Mays
- D279,617 S * 7/1985 Helmer D34/38

- D283,073 S * 3/1986 Marshall D34/38
- 4,606,278 A 8/1986 Shuert
- D288,978 S * 3/1987 Wind D34/38
- D296,599 S * 7/1988 Bean D34/38
- 4,972,782 A 11/1990 Shepherd et al.
- D347,511 S * 5/1994 Pigott et al. D34/38
- D357,108 S * 4/1995 Hutchinson D34/38
- 5,413,052 A 5/1995 Breezer et al.
- 5,427,019 A * 6/1995 Moorman 108/51.11
- 5,433,156 A * 7/1995 Hutchinson 108/53.1
- D367,145 S * 2/1996 Hamilton D34/38
- D370,762 S * 6/1996 Young, Jr. et al. D34/38
- D371,882 S 7/1996 Kristoffersson
- D379,716 S * 6/1997 Zipperle et al. D34/38

(List continued on next page.)

FOREIGN PATENT DOCUMENTS

- DE 26 13 083 6/1977
- DE 27 33 457 7/1977
- DE 3205910 11/1983
- EP 0 301 445 7/1987
- WO WO 00/06458 7/1998

Primary Examiner—Cynthia E. Ramirez

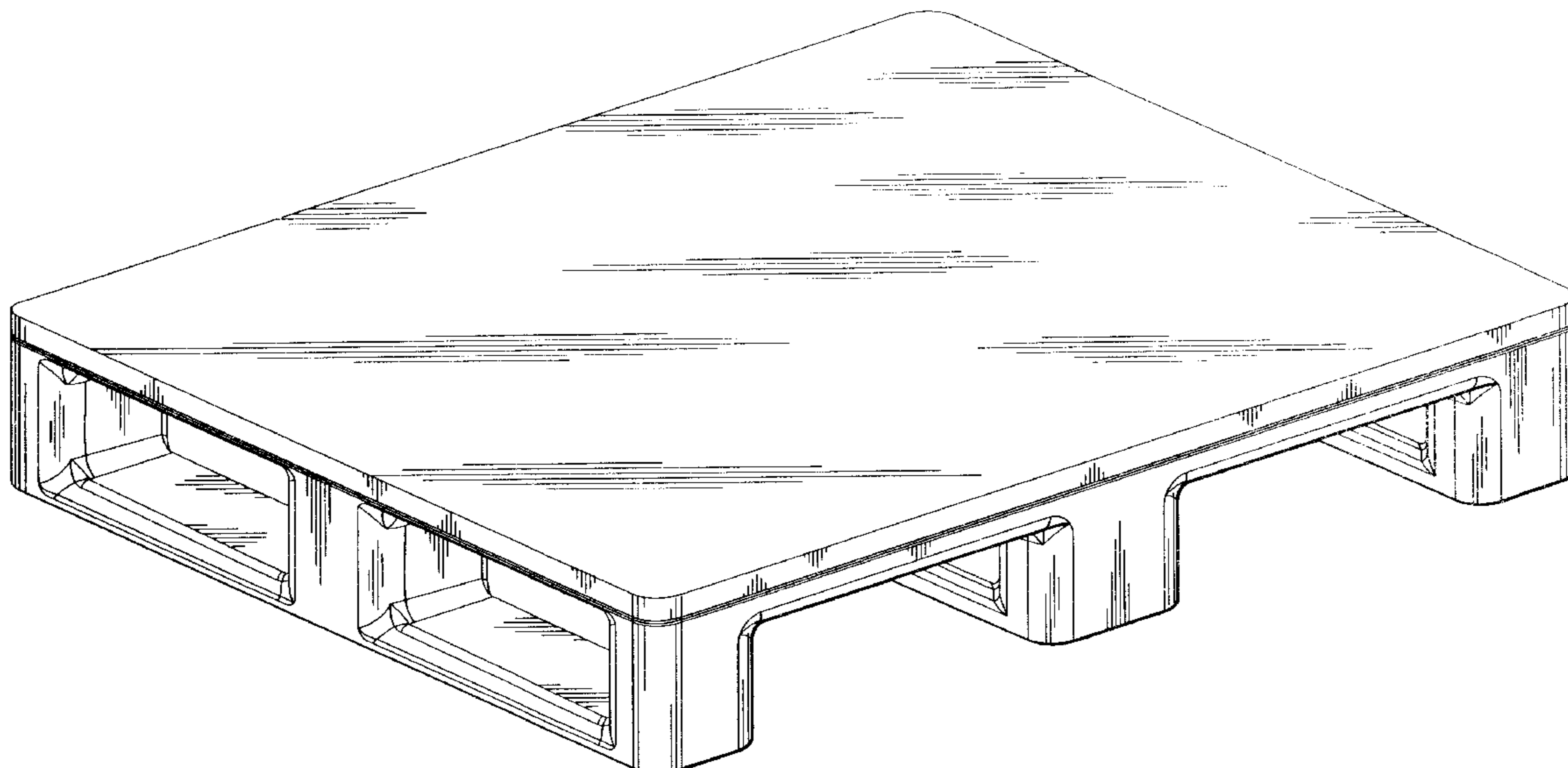
(57) **CLAIM**

The ornamental design for a pallet, as shown and described.

DESCRIPTION

FIG. 1 is a perspective view of the pallet showing my new design;
 FIG. 2 is a top plan view thereof;
 FIG. 3 is a bottom plan view thereof;
 FIG. 4 is a front elevational view thereof, the rear elevational view being a mirror image thereof; and,
 FIG. 5 is a left side elevational view thereof, the right side being a mirror image thereof.

1 Claim, 5 Drawing Sheets



US D476,789 S

Page 2

U.S. PATENT DOCUMENTS

5,690,037	A	*	11/1997	Hill	108/51.11	6,125,770	A	10/2000	Brandenburg	
5,736,221	A		4/1998	Hardigg et al.			6,173,657	B1	1/2001	Espejo	
5,806,436	A		9/1998	Weichenrieder, Sr. et al.			6,199,488	B1	3/2001	Favaron et al.	
5,845,588	A		12/1998	Gronnevik			6,250,234	B1	6/2001	Apps	
5,868,080	A		2/1999	Wyler et al.			D445,554	S	*	7/2001	Blason et al. D34/38
5,894,803	A		4/1999	Kuga			D446,900	S	*	8/2001	Koefeldt et al. D34/38
D411,682	S	*	6/1999	Edwards et al.	D34/38	6,283,044	B1	9/2001	Apps	
5,918,551	A	*	7/1999	Liu	108/56.1	D452,057	S	*	12/2001	French et al. D34/38
5,937,767	A		8/1999	Togawa et al.			D453,057	S	*	1/2002	Sewell D34/38
5,967,057	A		10/1999	Nakayama et al.			6,354,230	B1	3/2002	Maschio	
D428,679	S	*	7/2000	Bridge	D34/38	6,357,366	B1	3/2002	Frankenberg	
6,095,061	A		8/2000	Perazzo							

* cited by examiner

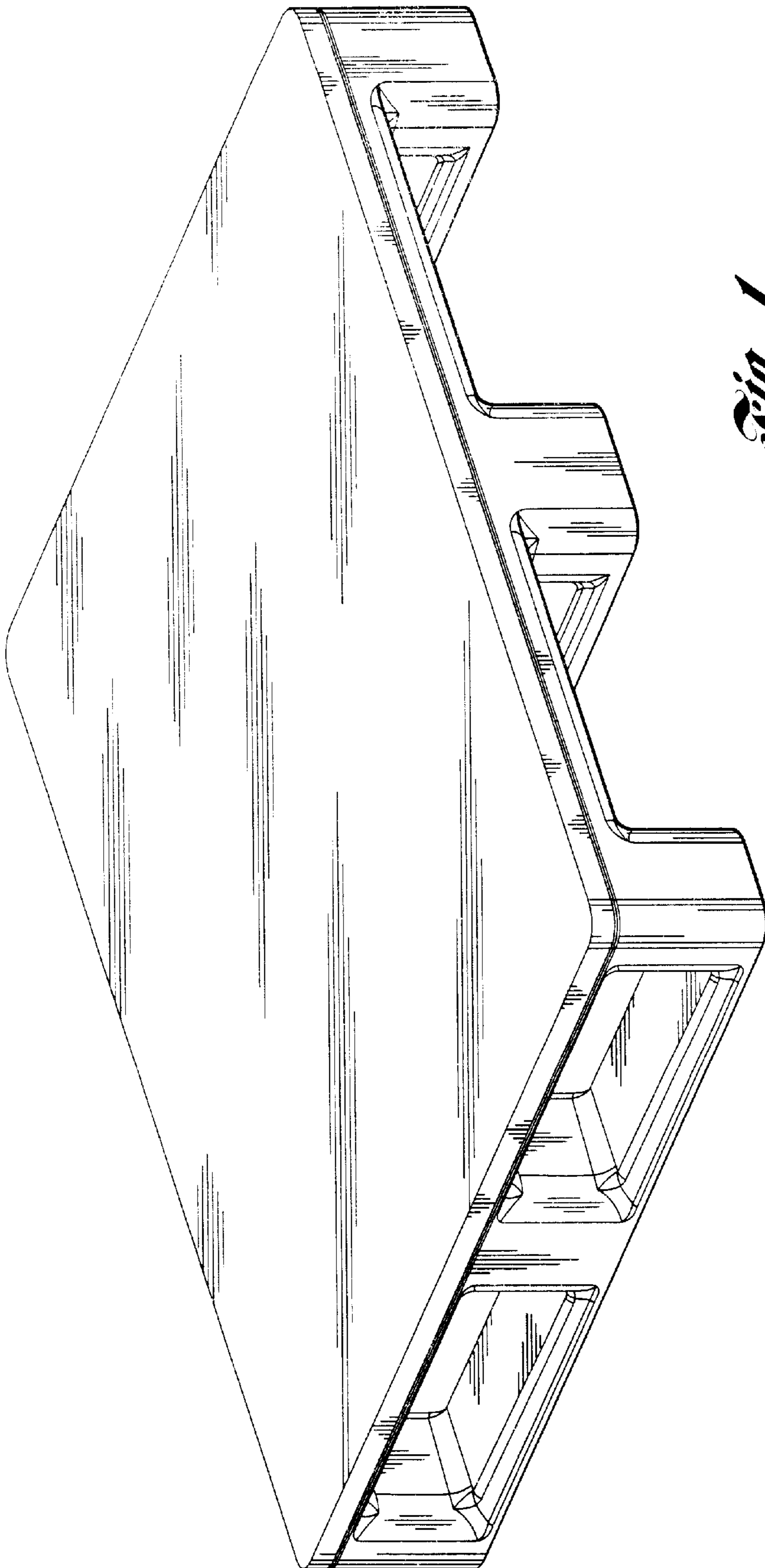


Fig. 1

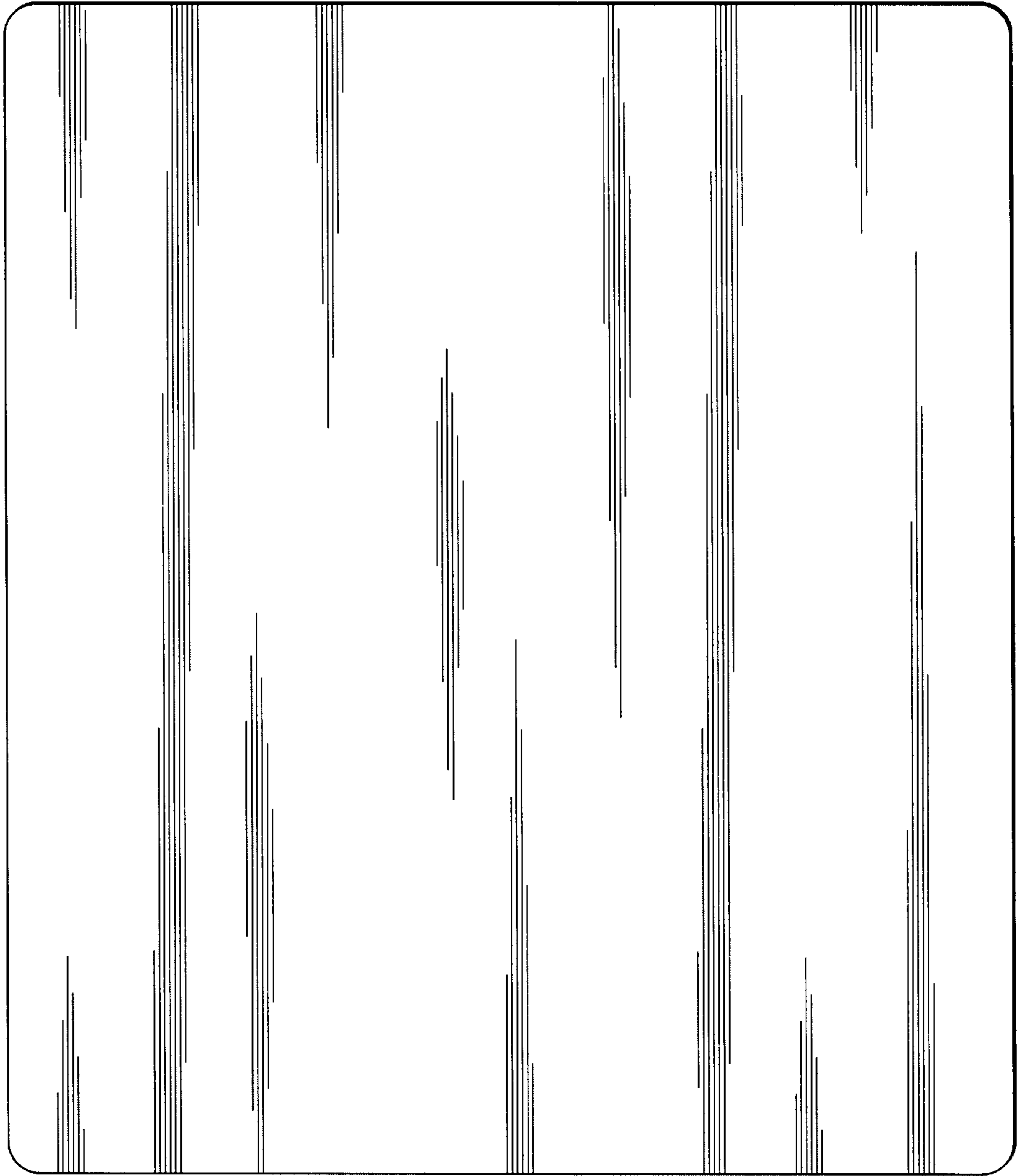


Fig. 2

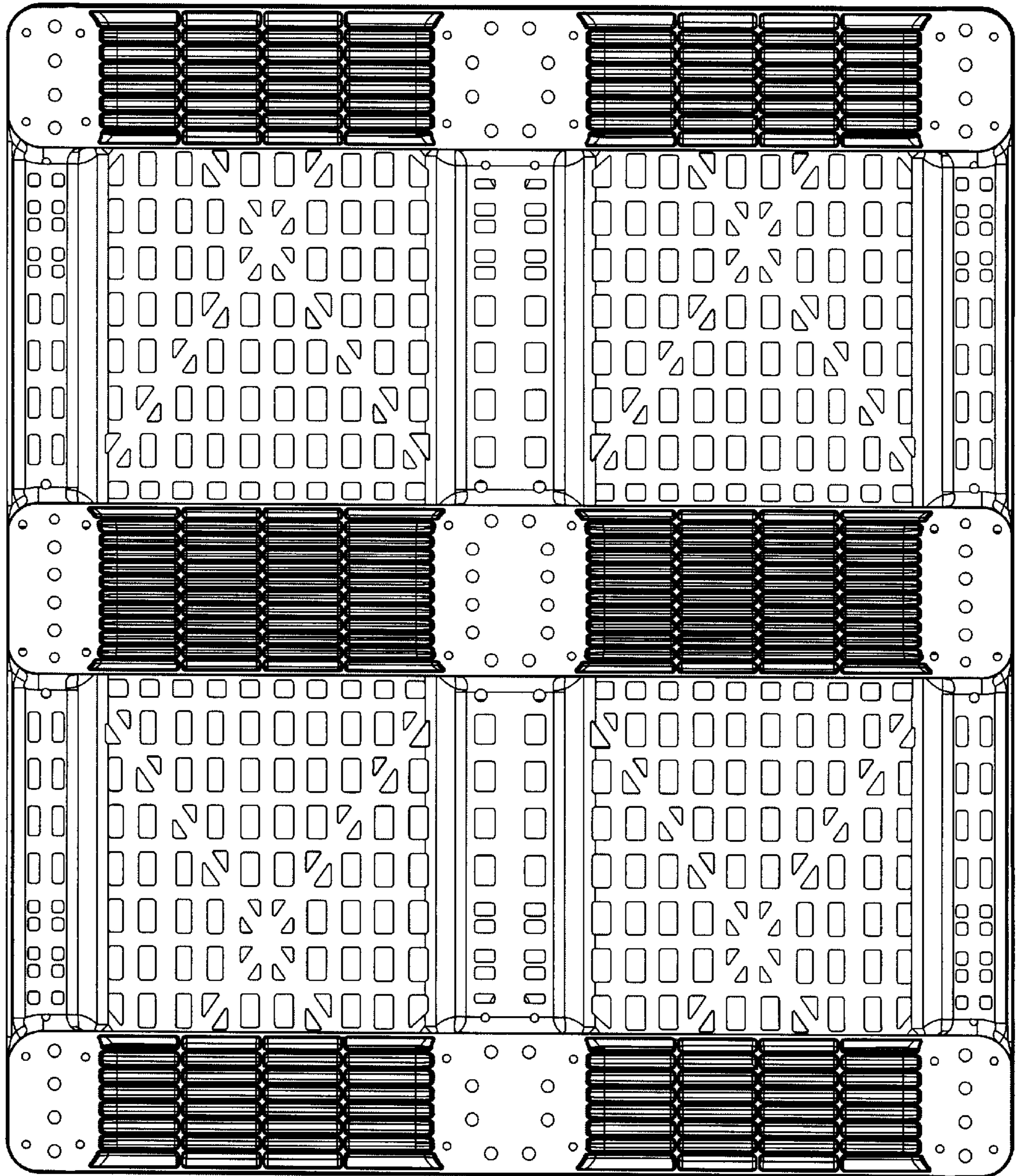


Fig. 3

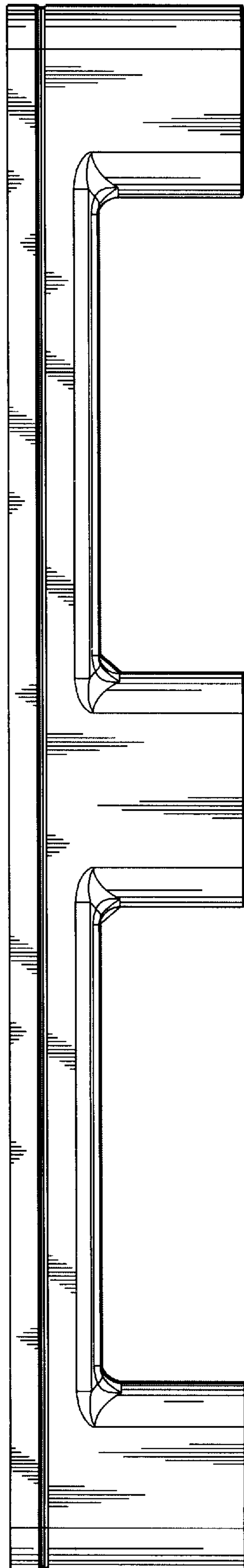


Fig. 4

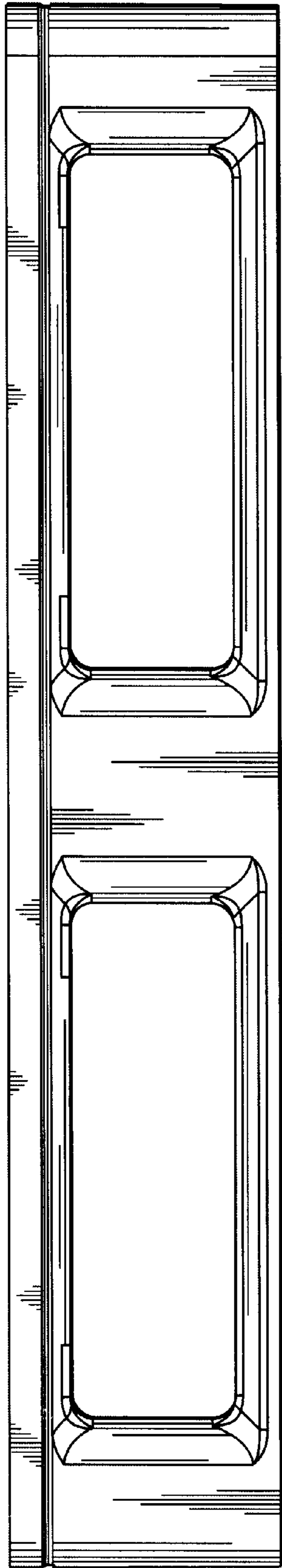


Fig. 5