



US00D476787S

(12) **United States Design Patent**
Templeton

(10) **Patent No.:** **US D476,787 S**

(45) **Date of Patent:** **** Jul. 1, 2003**

(54) **PAINT CAN SPOUT WITH BRUSH REST**

FOREIGN PATENT DOCUMENTS

(75) Inventor: **Garry D. Templeton**, Suwanee, GA
(US)

DE 29704163 * 9/1997 B65D/8/02

* cited by examiner

(73) Assignee: **PKG Alliance, Inc.**, Cumming, GA
(US)

Primary Examiner—Alan P. Douglas

Assistant Examiner—Lavone D. Tabor

(74) *Attorney, Agent, or Firm*—Kaplan & Gilman, L.L.P.

(**) Term: **14 Years**

(57) **CLAIM**

(21) Appl. No.: **29/158,239**

The ornamental design for a paint can spout with brush rest, as shown and described.

(22) Filed: **Apr. 1, 2002**

DESCRIPTION

(51) **LOC (7) Cl.** **07-07**

FIG. 1 is a perspective view of a paint can spout with brush rest with the broken lines showing a paint can and a paintbrush being for illustrative purposes only and forming no part of the claimed design.

(52) **U.S. Cl.** **D32/54**

FIG. 2 is a front elevation view of the paint can spout with brush rest of the invention.

(58) **Field of Search** D9/435, 436, 440,
D9/447; D32/53, 53.1, 54; 220/571.1, 697,
698, 700, 702, 733; 222/567, 569, 570;
248/110

FIG. 3 is a rear elevation view of the paint can spout with brush rest of the invention.

(56) **References Cited**

FIG. 4 is a left side view of the paint can spout with brush rest of the invention, the right side view being a mirror image thereof.

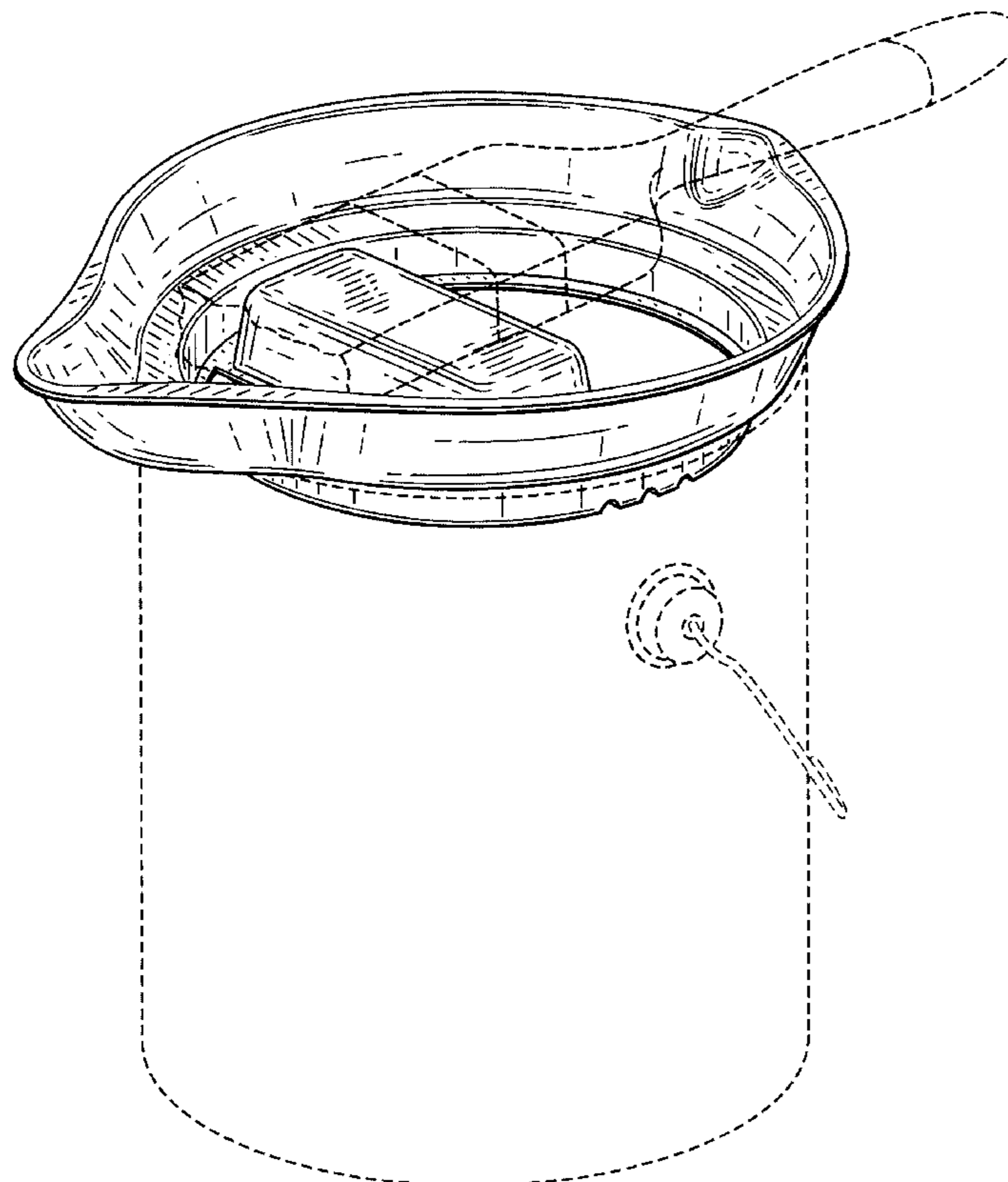
U.S. PATENT DOCUMENTS

3,899,107 A * 8/1975 Gaal 222/570
4,203,537 A * 5/1980 McAlister 222/570
D288,535 S * 3/1987 Bozich D9/447
D345,833 S * 4/1994 Truran D32/54
D379,302 S * 5/1997 Rodman D9/440

FIG. 5 is a top plan view of the paint can spout with brush rest of the invention; and,

FIG. 6 is a bottom plan view of the paint can spout with brush rest of the invention.

1 Claim, 4 Drawing Sheets



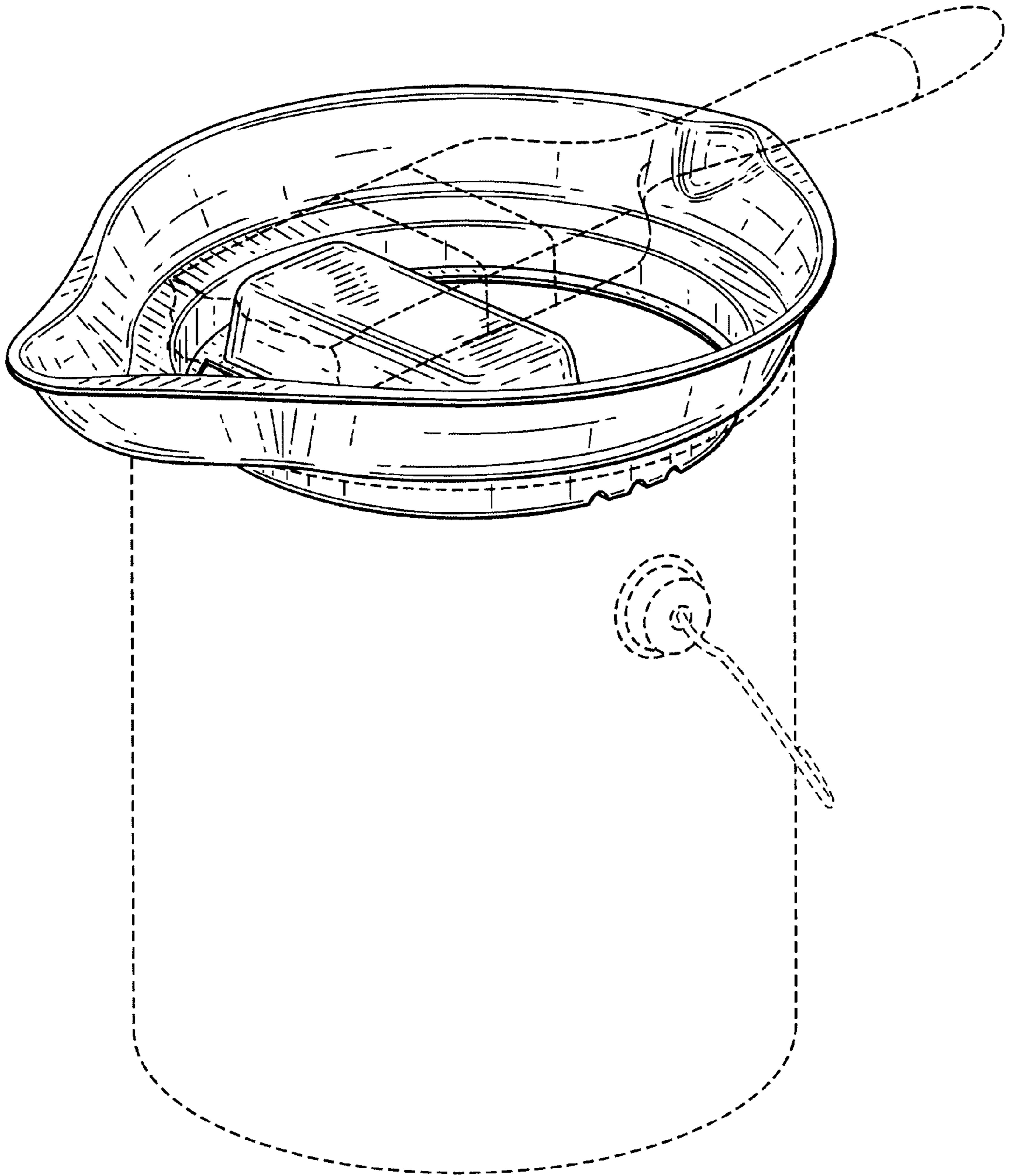


FIG. 1

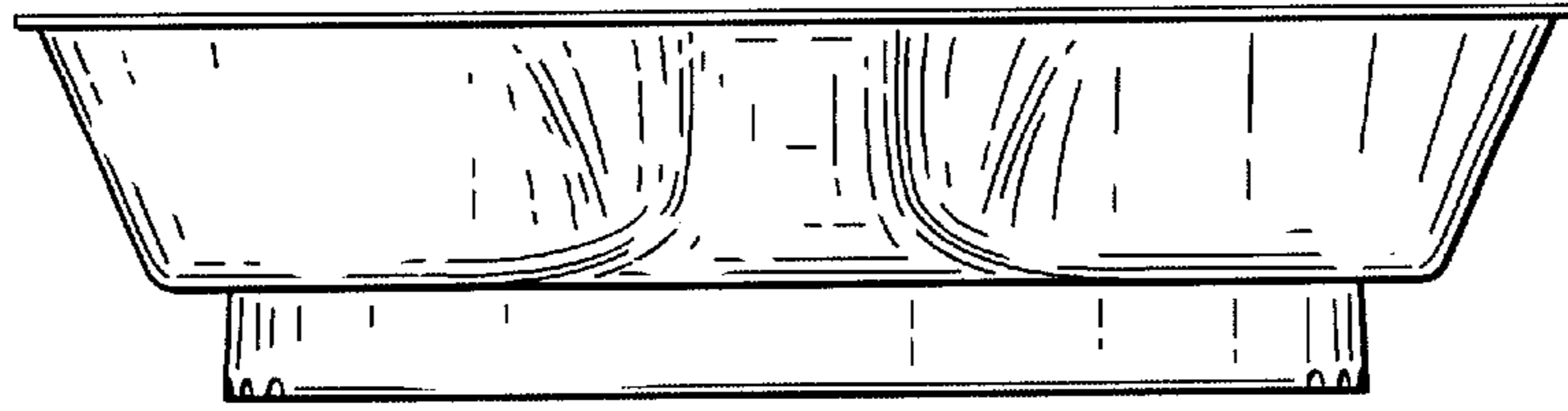


FIG. 2

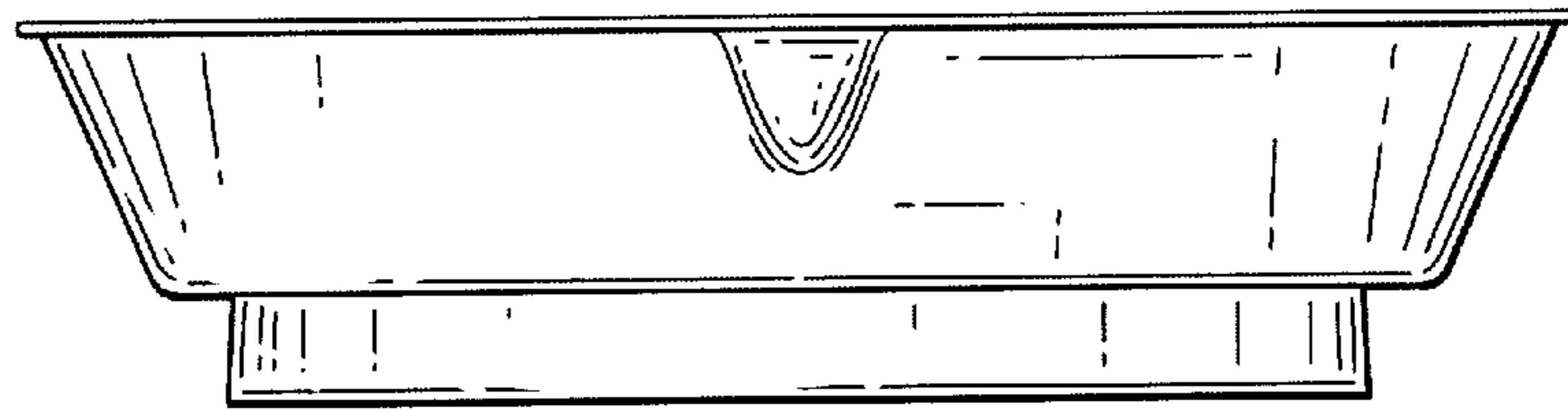


FIG. 3

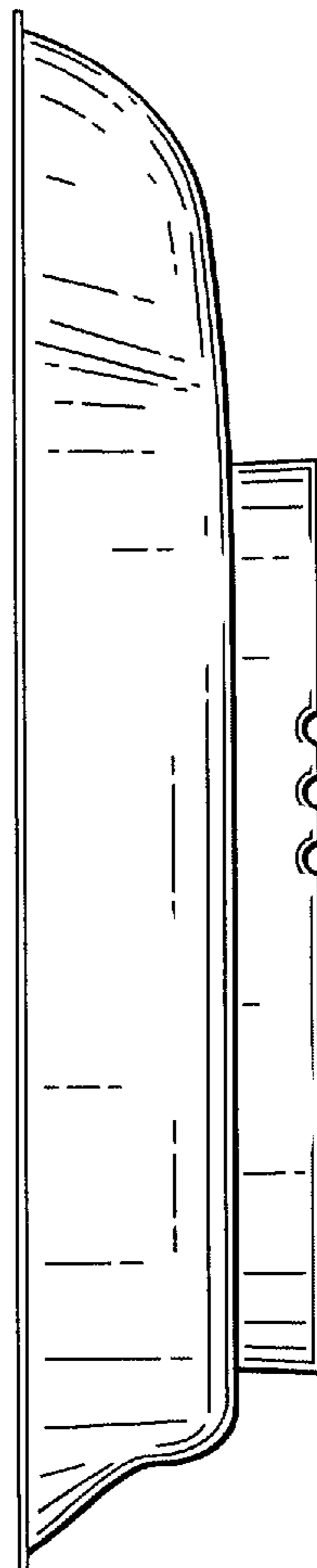


FIG. 4

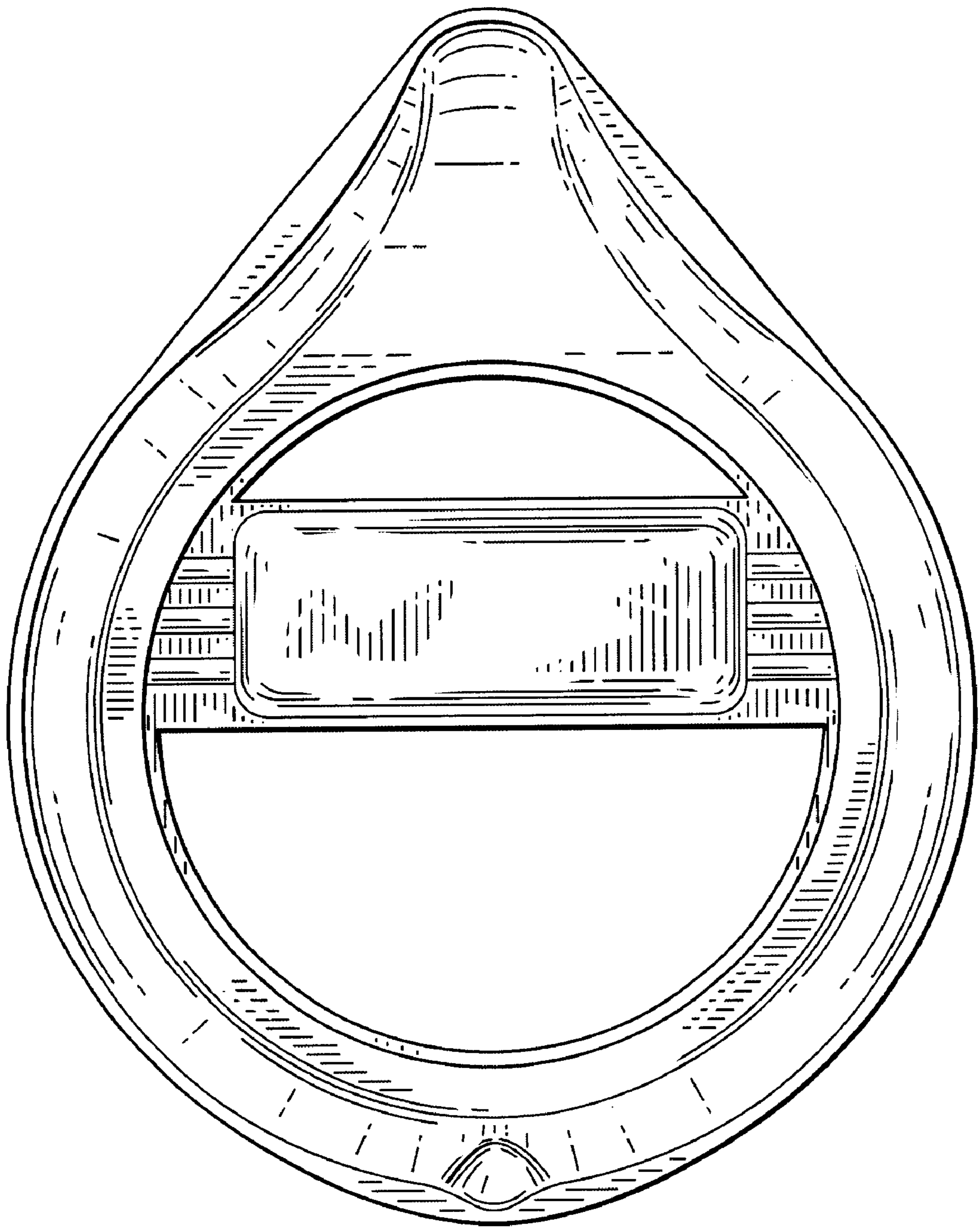


FIG. 5

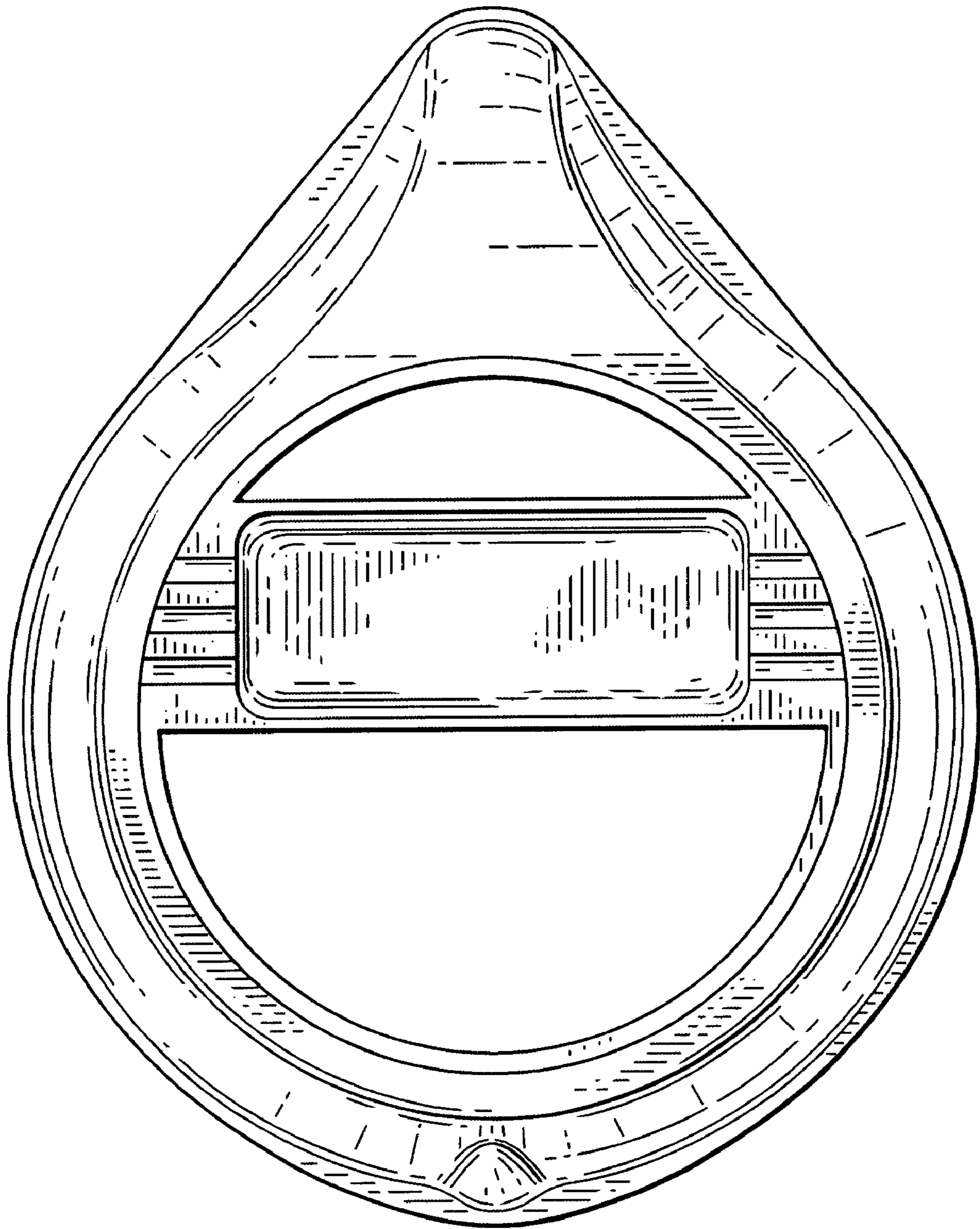


FIG. 6