



US00D476783S

(12) **United States Design Patent**
Kondo et al.

(10) **Patent No.:** **US D476,783 S**

(45) **Date of Patent:** **** Jul. 1, 2003**

(54) **VACUUM CLEANER**

(75) Inventors: **Osamu Kondo**, Osaka (JP); **Takako Hayashi**, Nara (JP)

(73) Assignee: **Matsushita Electric Industrial Co., Ltd.** (JP)

(**) Term: **14 Years**

(21) Appl. No.: **29/163,260**

(22) Filed: **Jun. 28, 2002**

(51) **LOC (7) Cl.** **15-05**

(52) **U.S. Cl.** **D32/21**

(58) **Field of Search** D32/17-18, 21-24, D32/31; 15/344, 329, 320-321, 353, 327.1-327.7

(56) **References Cited**

U.S. PATENT DOCUMENTS

D373,665 S	*	9/1996	Nakamura et al.	D32/21
D394,528 S	*	5/1998	Pochopien et al.	D32/21
D399,617 S	*	10/1998	Fujita	D32/21
D417,046 S	*	11/1999	Tsuruha et al.	D32/21
D430,366 S	*	8/2000	Sato et al.	D32/21
D443,119 S	*	5/2001	Sung	D32/21
D445,226 S	*	7/2001	Jupp	D32/21
D455,529 S	*	4/2002	Wu	D32/21
D459,040 S	*	6/2002	Oh	D32/21

FOREIGN PATENT DOCUMENTS

JP	A11124481	10/2001
JP	A21124482	10/2001
JP	A31124486	10/2001
JP	A41125609	11/2001
JP	A51125617	11/2001

* cited by examiner

Primary Examiner—Ruth McInroy

(74) *Attorney, Agent, or Firm*—Brinks Hofer Gilson & Lione; Gregory H. Zayia

(57) **CLAIM**

The ornamental design for a vacuum cleaner, as shown.

DESCRIPTION

FIG. 1 is a perspective view of a vacuum cleaner showing our new design.

FIG. 2 is a front view of a vacuum cleaner showing our new design;

FIG. 3 is a rear view thereof;

FIG. 4 is a top view thereof;

FIG. 5 is a right side view thereof;

FIG. 6 is a left side view thereof; and,

FIG. 7 is a bottom view thereof.

1 Claim, 7 Drawing Sheets

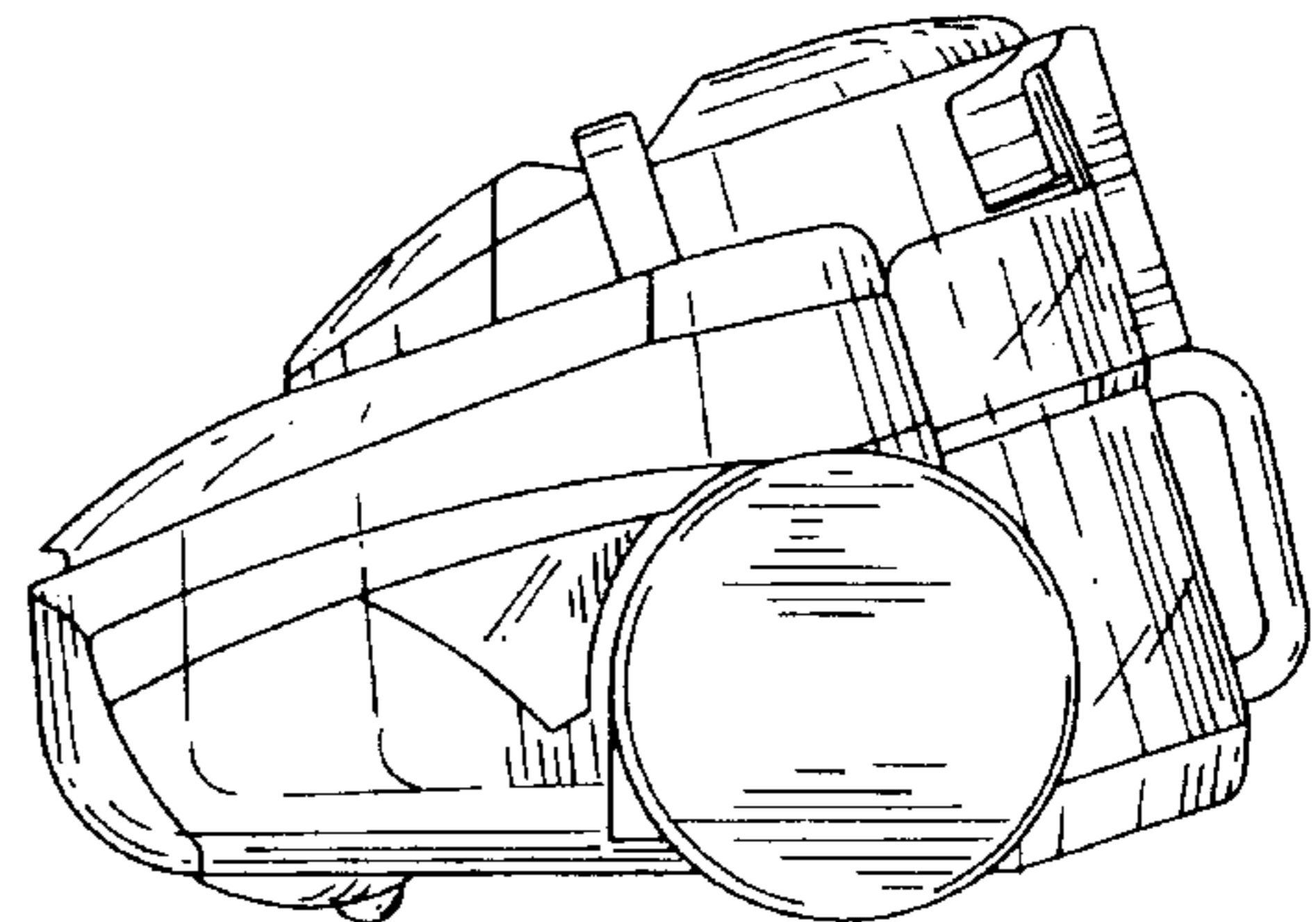
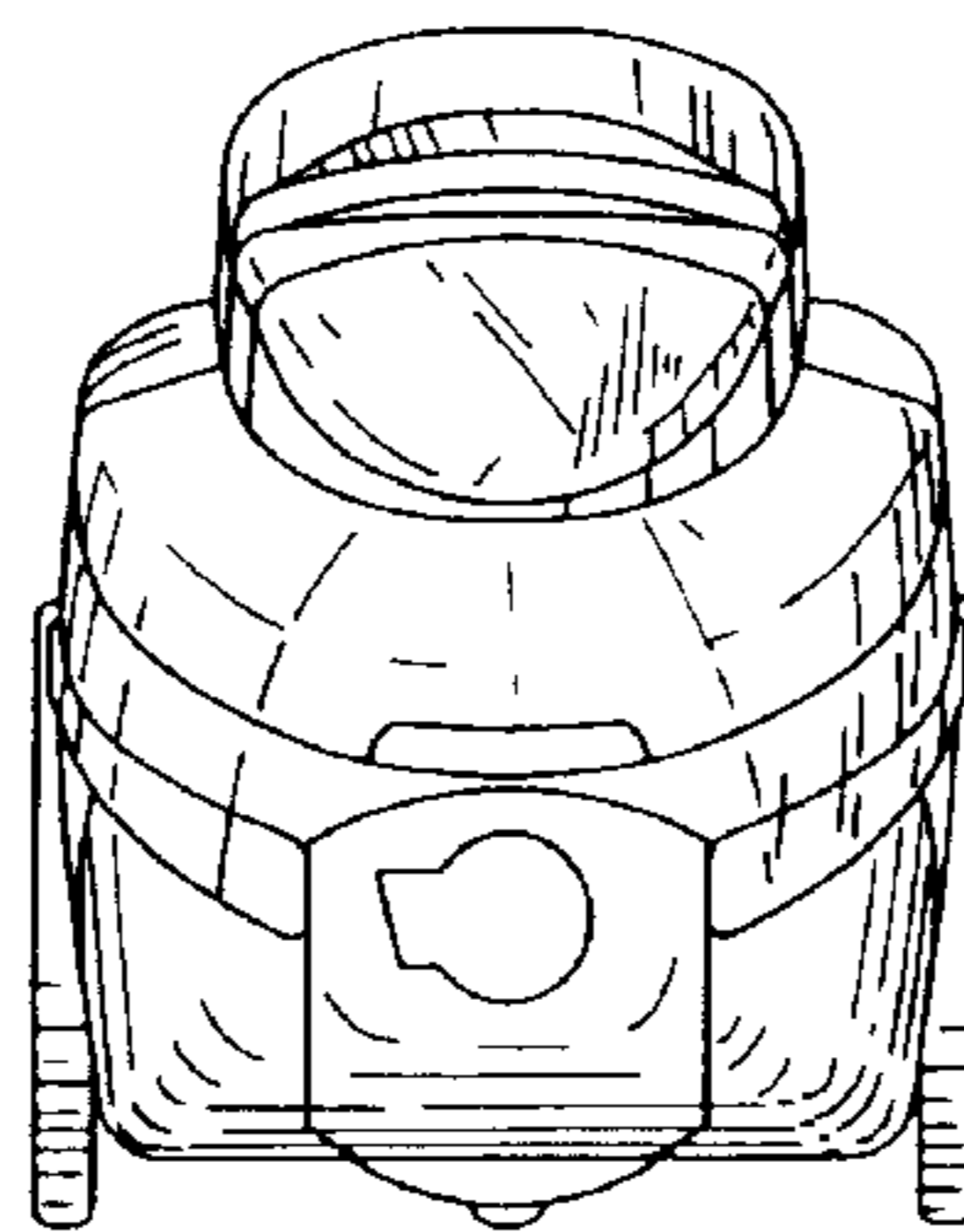
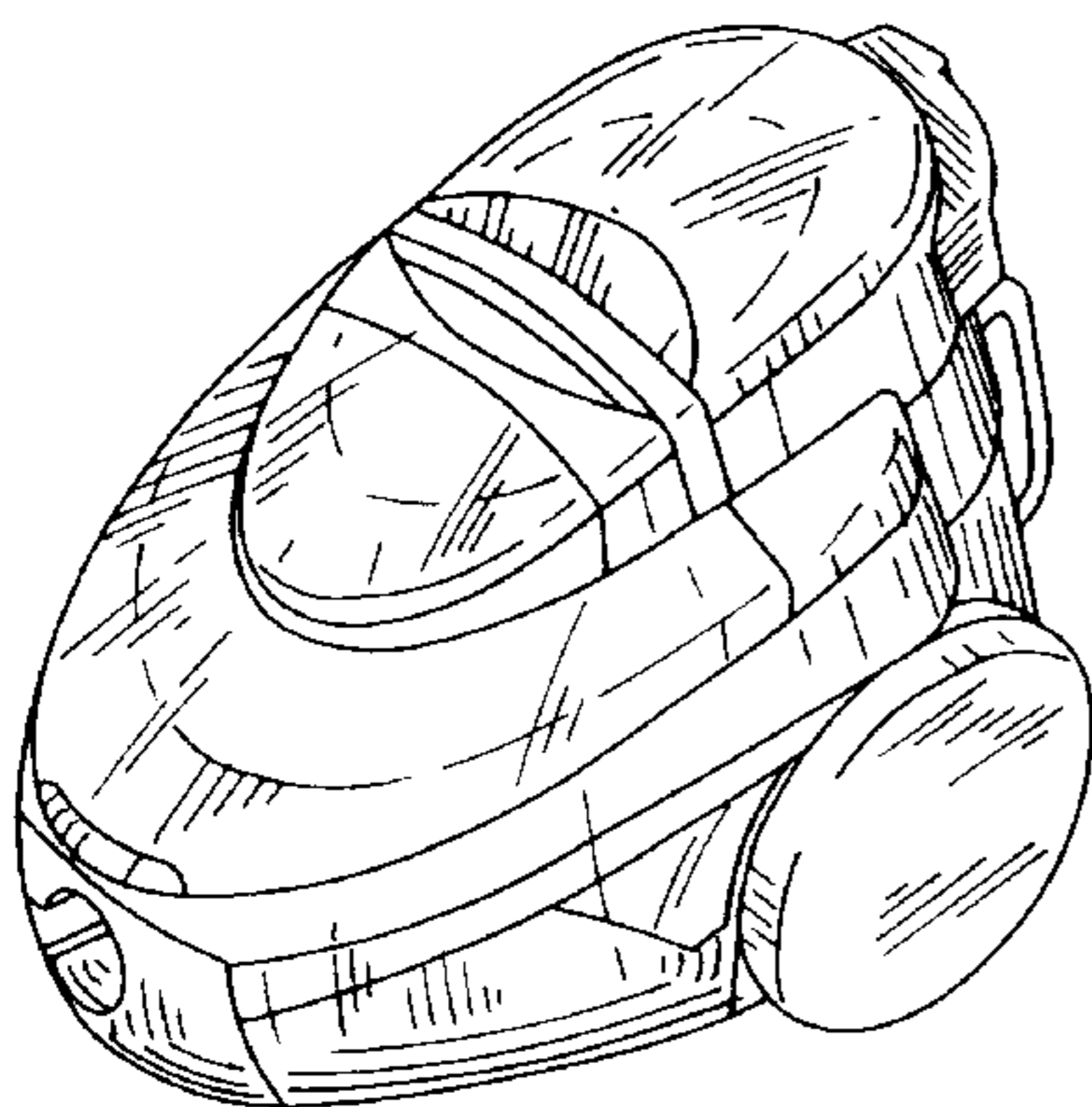


FIG. 1

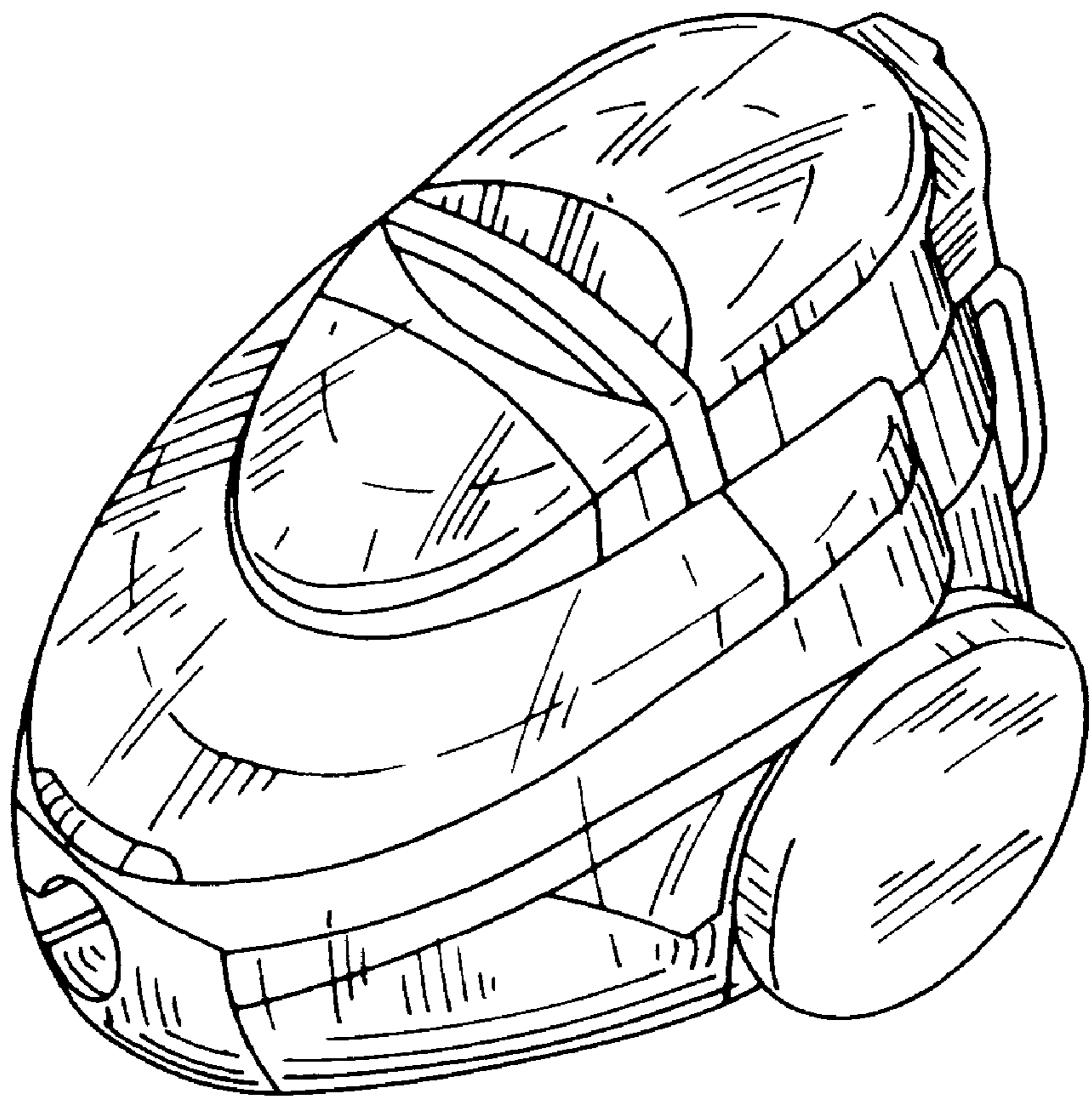


FIG. 2

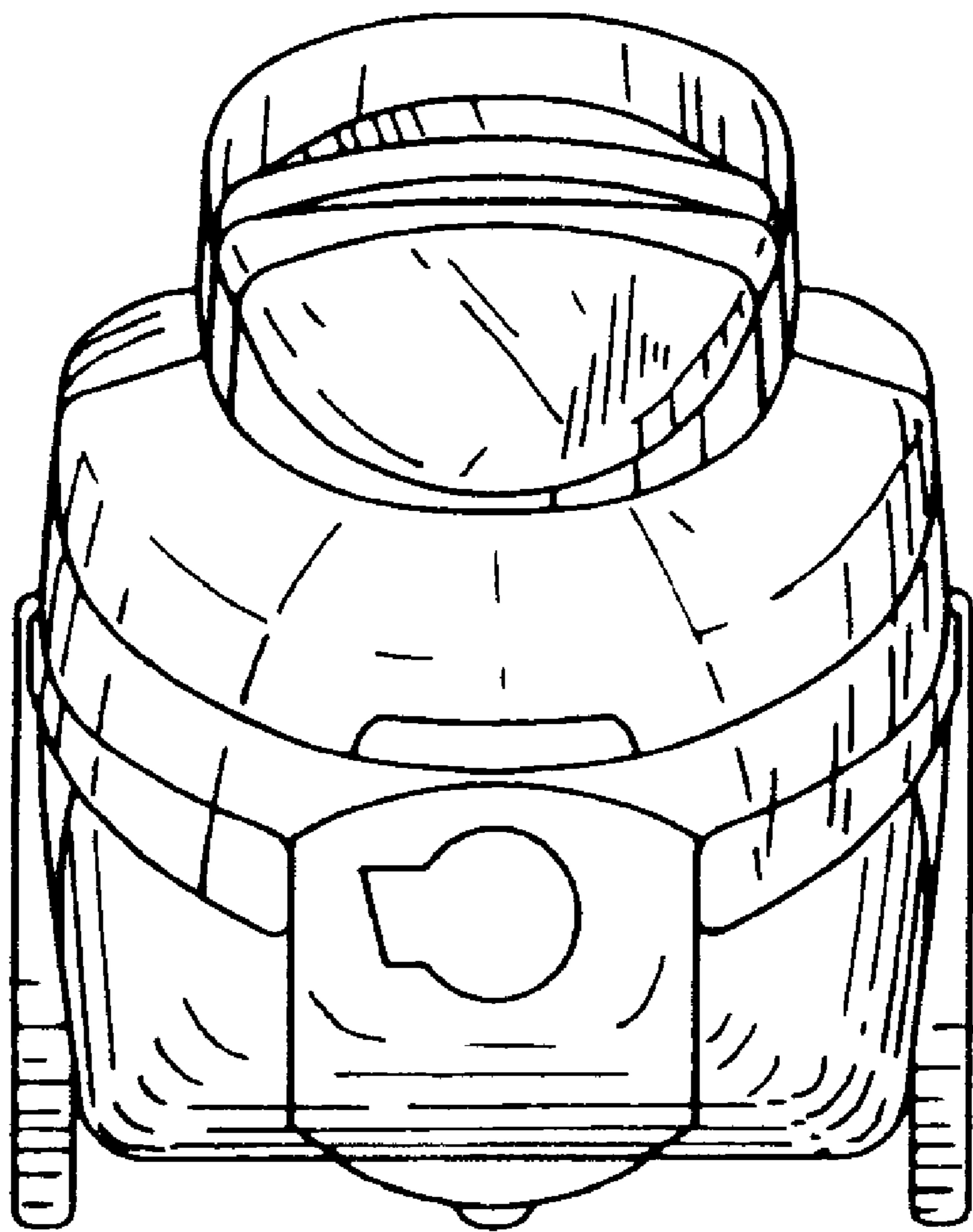


FIG. 3

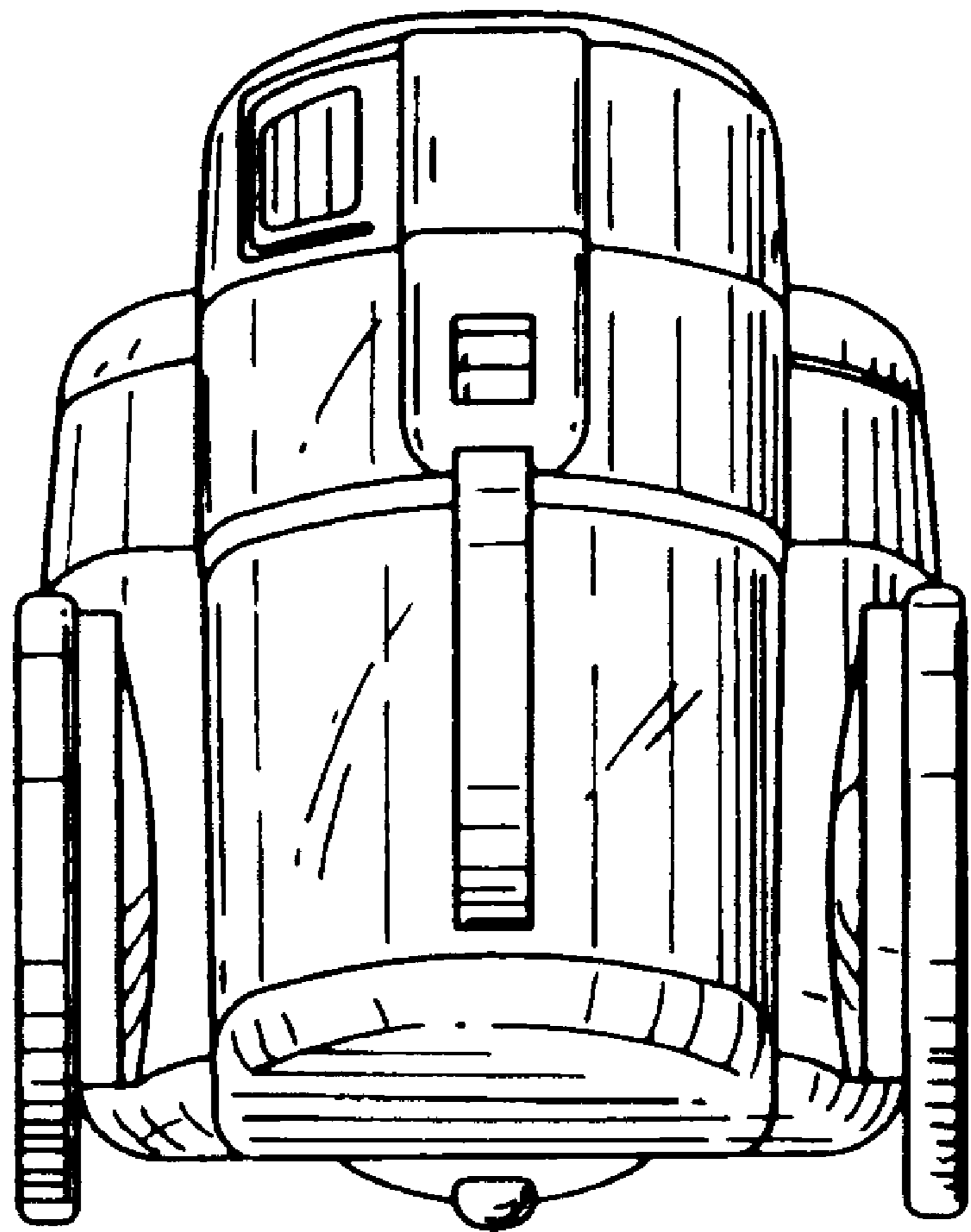


FIG. 4

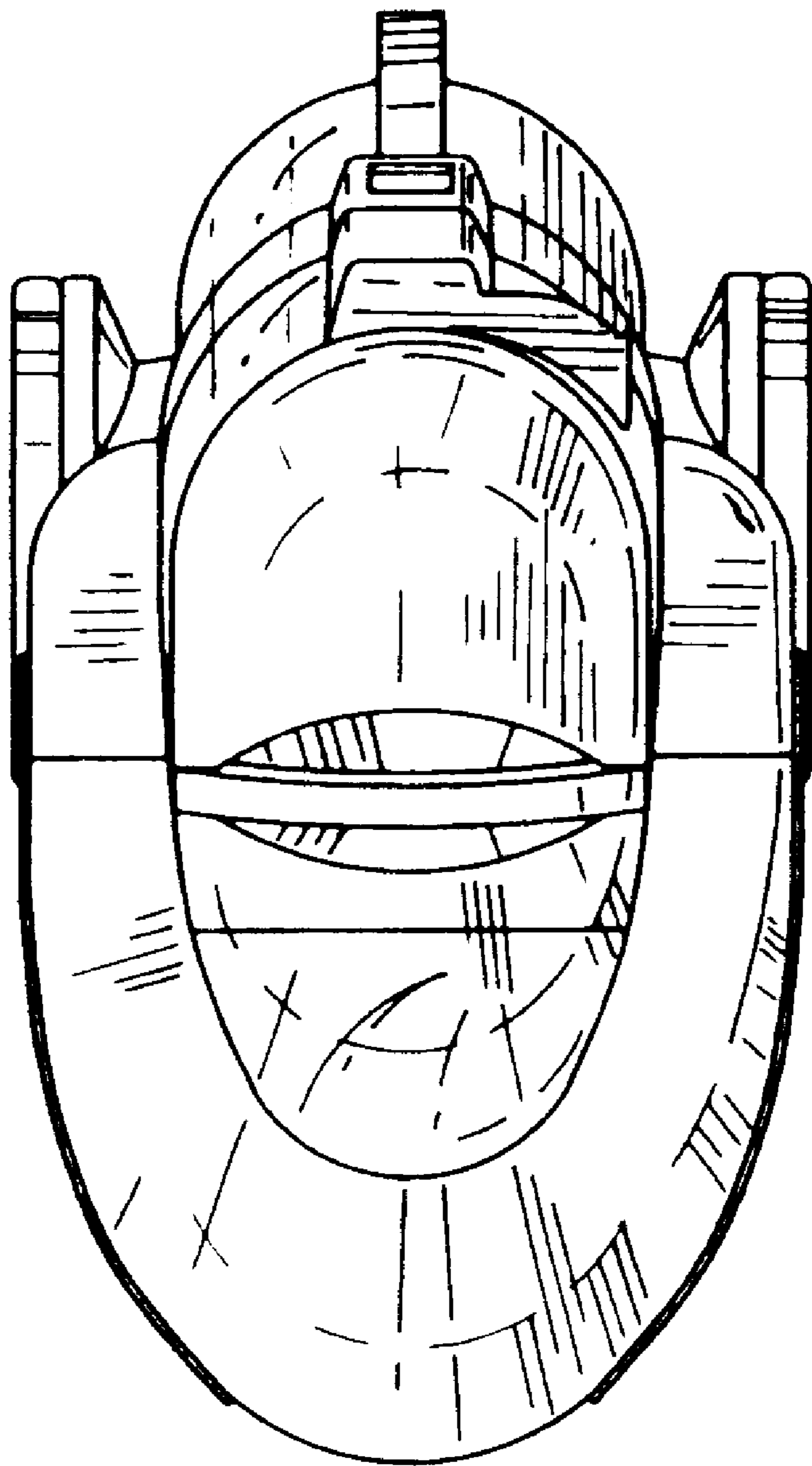


FIG. 5

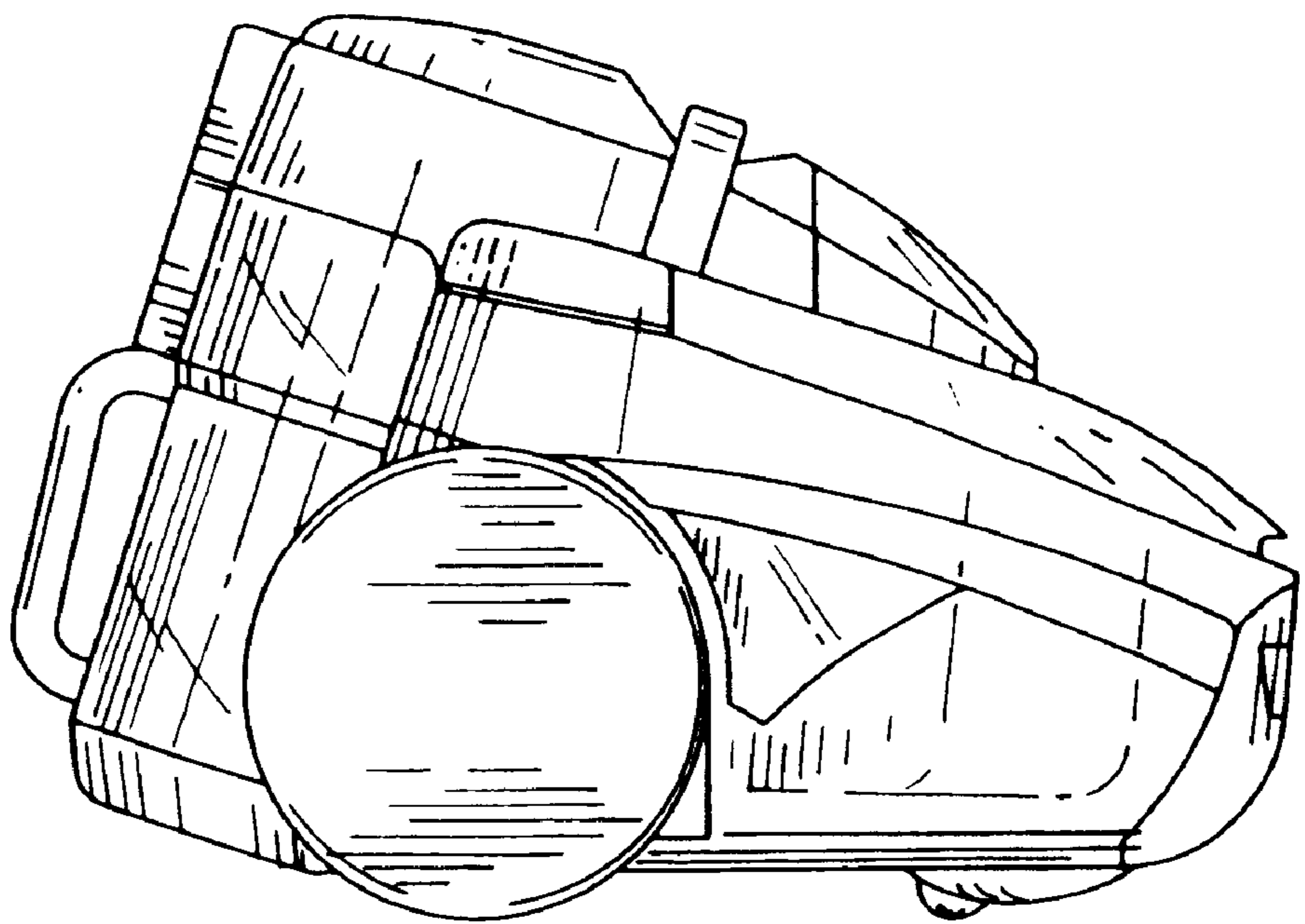


FIG. 6

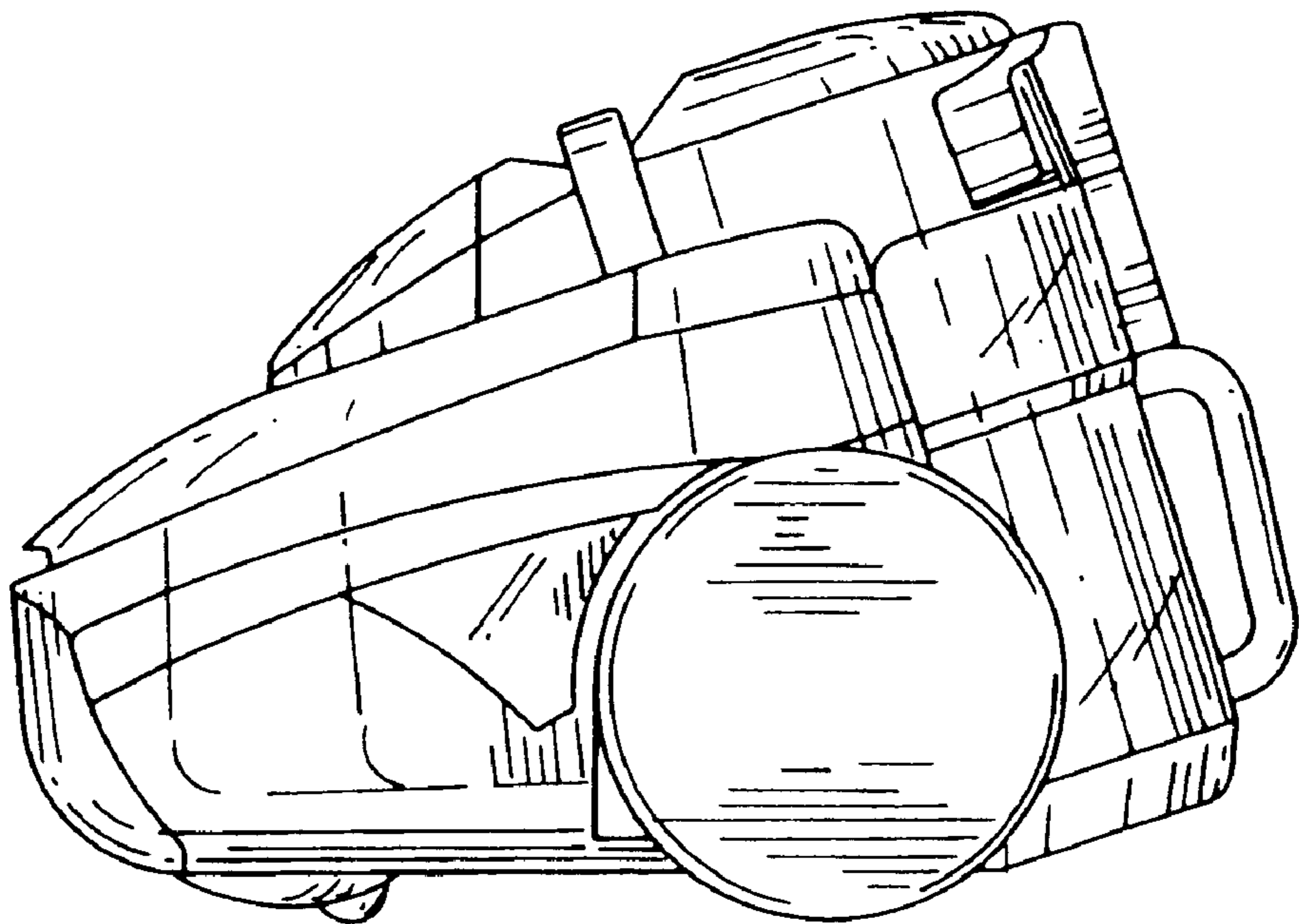


FIG. 7

