



US00D476771S

(12) **United States Design Patent**  
**Herst et al.**

(10) **Patent No.:** **US D476,771 S**

(45) **Date of Patent:** **\*\* Jul. 1, 2003**

(54) **LIGHTING FIXTURE ASSEMBLY  
CONNECTOR ARM**

(75) Inventors: **Douglas J. Herst**, Ross, CA (US);  
**Utkan Salman**, Oakland, CA (US)

(73) Assignee: **Acuity Brands, Inc.**, Atlanta, GA (US)

(\*\*) Term: **14 Years**

(21) Appl. No.: **29/159,606**

(22) Filed: **Apr. 22, 2002**

(51) **LOC (7) Cl.** ..... **26-99**

(52) **U.S. Cl.** ..... **D26/155**

(58) **Field of Search** ..... D26/152, 87, 92,  
D26/138, 155, 81, 145; 362/405, 406, 432,  
457

(56) **References Cited**

**PUBLICATIONS**

Product brochure, 2<sup>3</sup>/<sub>4</sub>×2<sup>1</sup>/<sub>2</sub> Rectangular Lightline Indirect, Peerless (5 pages); 1996.

Product brochure, 7×3 / 9×3 Rounded Diminutive Indirect, Peerless (2 pages); 1993.

Product brochure, 6×2 Lightfin Indirect, Indirect/Open, Peerless (2 pages); 1997.

Product brochure, 6×2 Lightduct Diminutive Indirect, Indirect/Open, Peerless (2 pages); 1997.

Product brochure, 9×3 Rounded Lightscreen Indirect, Peerless (2 pages); 1995.

*Primary Examiner*—Jennifer Rivard

(74) *Attorney, Agent, or Firm*—Donald L. Beeson

(57) **CLAIM**

The ornamental design for a lighting fixture assembly connector arm, as shown and described.

**DESCRIPTION**

FIG. 1 is a bottom perspective view of a lighting fixture assembly arm in accordance with our new design;

FIG. 2 is an enlarged top perspective view thereof;

FIG. 3 is an enlarged top plan view thereof;

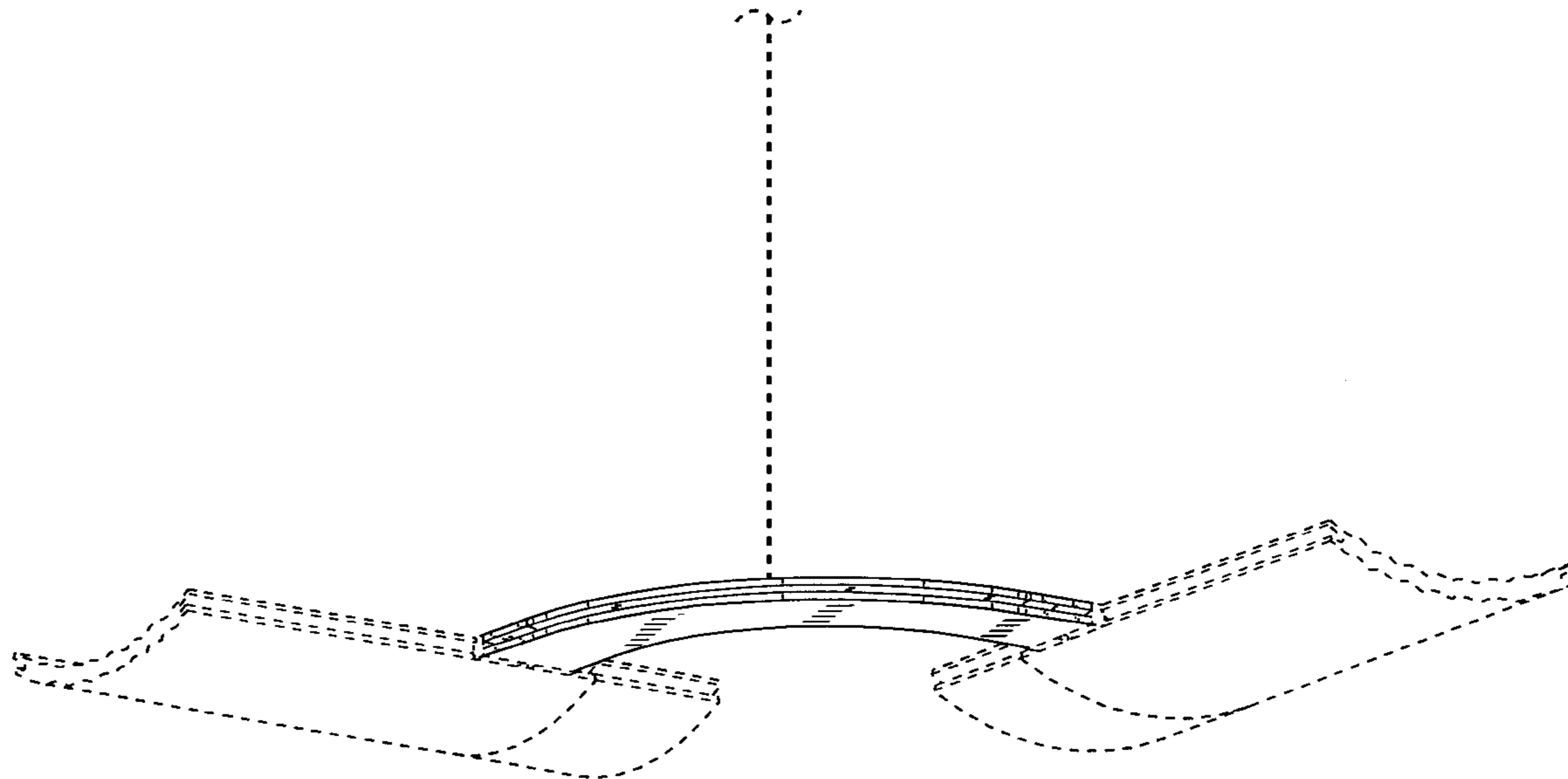
FIG. 4 is an enlarged right side elevational view thereof; and,

FIG. 5 is an enlarged left side elevational view thereof.

The broken line showing of a portion of two lighting fixture housings and a suspension cable in FIG. 1 is for illustrative purposes only and forms no part of our claimed design.

The broken lines immediately adjacent the shaded areas in FIGS. 2 and 3 represent the bounds of the claim and all other broken lines are for illustrative purposes only. None of the broken lines form part of our claimed design.

**1 Claim, 3 Drawing Sheets**



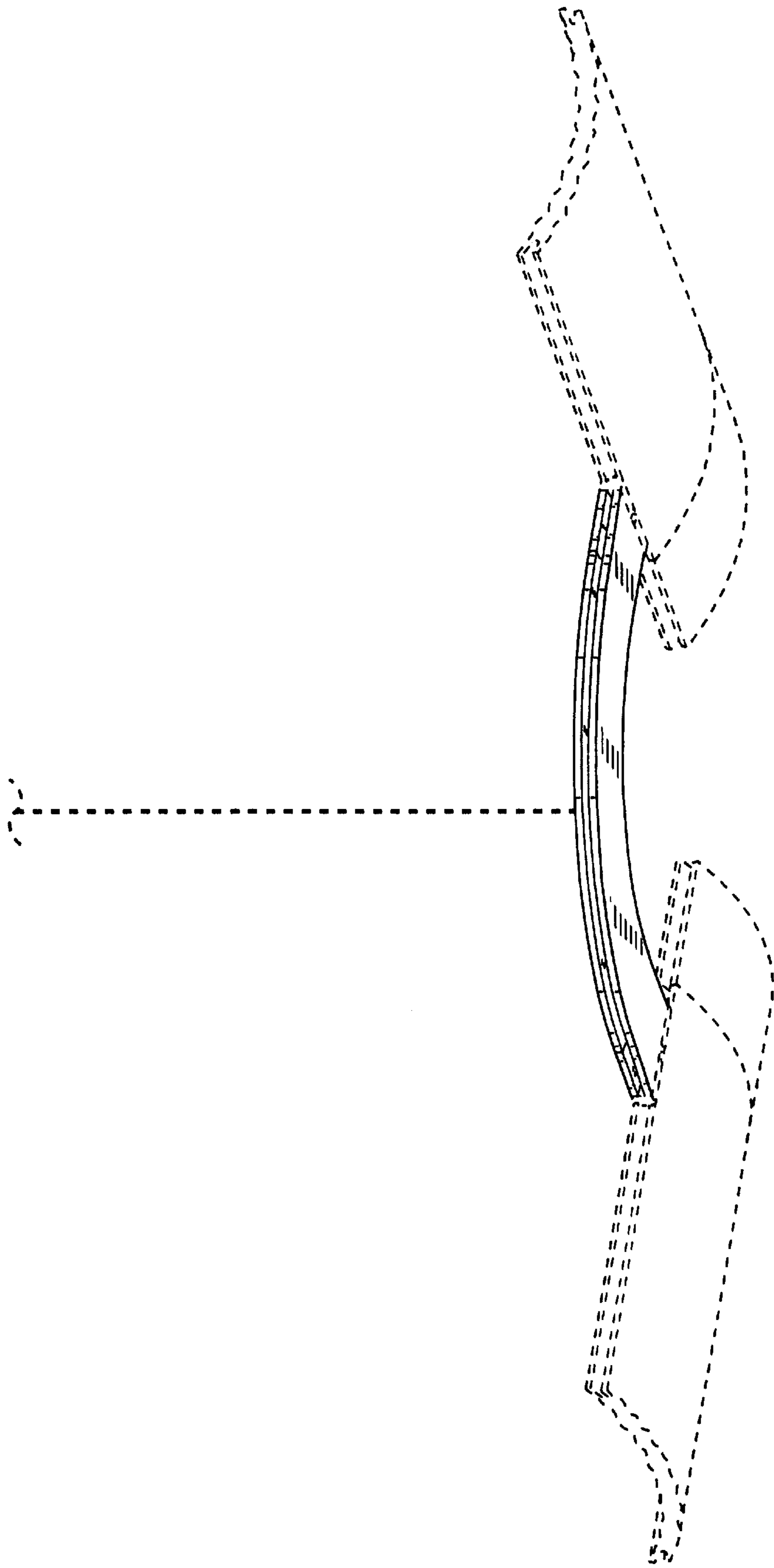


FIG. 1

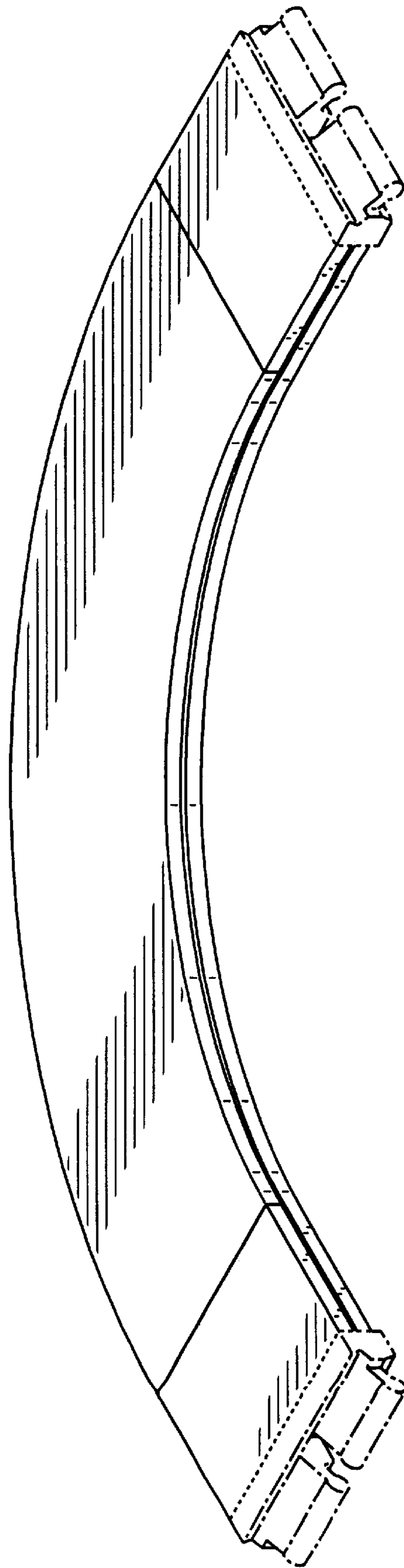


FIG.--2

