



US00D476769S

(12) **United States Design Patent**
Pilkington

(10) **Patent No.:** **US D476,769 S**

(45) **Date of Patent:** **** Jul. 1, 2003**

(54) **COMBINED CEILING ROSE, EMERGENCY LIGHT, ALARM AND DETECTOR**

WO WO90/01201 2/1990
WO WO99/19666 4/1999
WO WO00/22588 4/2000

(75) Inventor: **David James Pilkington**, Wigan (GB)

OTHER PUBLICATIONS

(73) Assignee: **Acbond Limited**, Leyland (GB)

Prescolite Catalog SW-6 (c) 1992, p. 22, item #9447.*

(**) Term: **14 Years**

* cited by examiner

(21) Appl. No.: **29/140,561**

Primary Examiner—Alan P. Douglas

Assistant Examiner—Clare E. Heflin

(22) Filed: **Apr. 20, 2001**

(74) *Attorney, Agent, or Firm*—Thompson Coburn, LLP

Related U.S. Application Data

(57) **CLAIM**

(63) Continuation of application No. 29/136,031, filed on Jan. 22, 2001, now abandoned.

I claim the ornamental design for a combined ceiling rose, emergency light, alarm and detector, as shown and described herein.

(51) **LOC (7) Cl.** **26-05**

(52) **U.S. Cl.** **D26/72; D26/51**

(58) **Field of Search** D26/51, 72-92;
362/147, 404-408, 432, 217, 223, 362

DESCRIPTION

(56) **References Cited**

FIG. 1 is a perspective view from above of a combined ceiling rose, emergency light, alarm and detector, showing my new design;

U.S. PATENT DOCUMENTS

FIG. 2 is a perspective view of a component of FIG. 1, from below;

- 4,090,178 A 5/1978 Norris
- D262,660 S * 1/1982 Fairbanks et al. D26/88
- D288,007 S * 1/1987 Jonas et al. D26/72
- 4,694,285 A 9/1987 Scripps
- 4,717,910 A 1/1988 Scripps et al.
- 4,812,827 A 3/1989 Scripps
- 5,477,442 A * 12/1995 Self 362/221
- 6,181,251 B1 * 1/2001 Kelly 362/259
- D443,713 S * 6/2001 Benensohn D26/72

FIG. 3 is a perspective view of yet a further component of the combined ceiling rose, emergency light, alarm and detector shown in FIG. 1, from above; and,

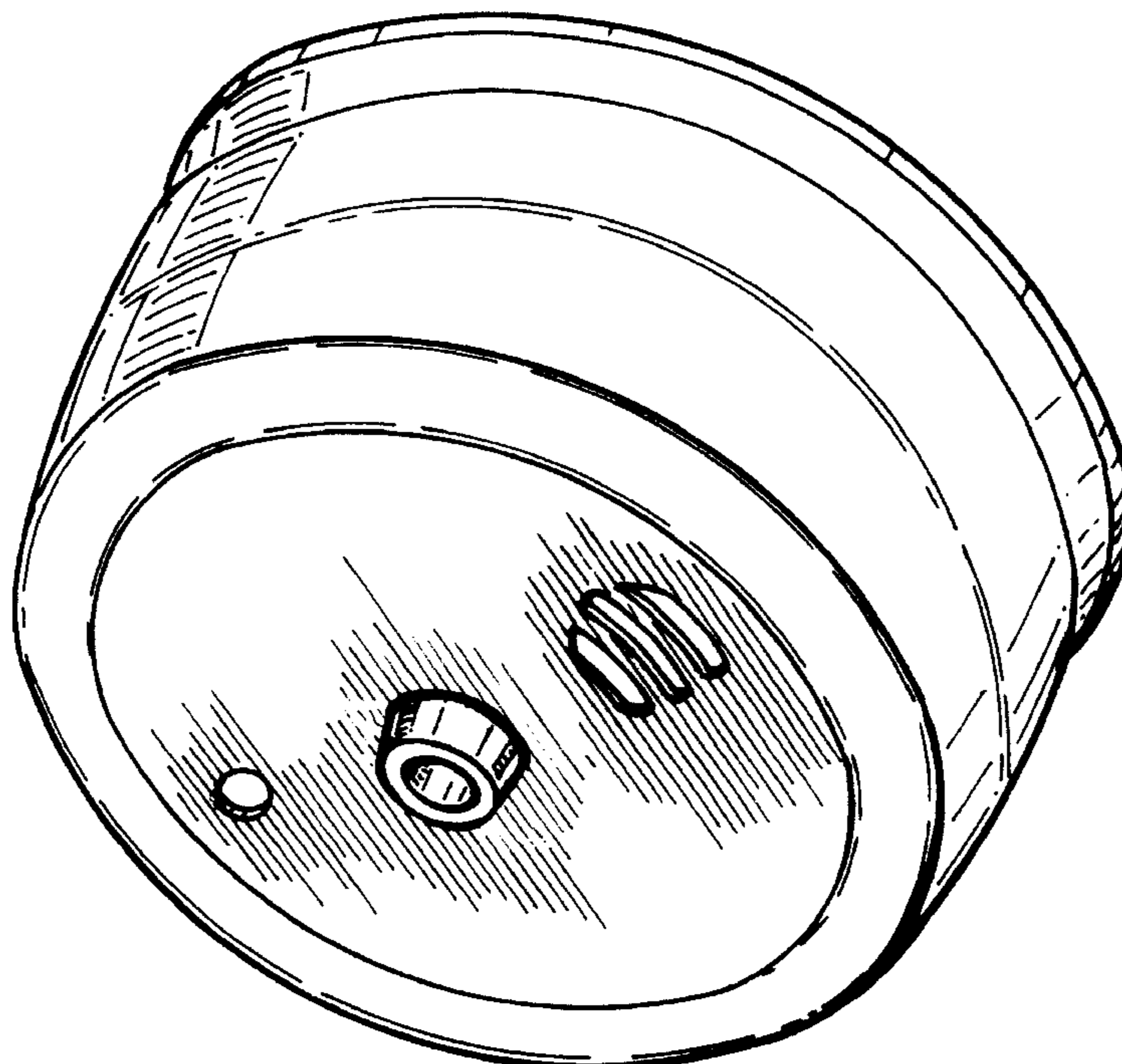
FIG. 4 is a perspective view from above of a combined ceiling rose, emergency light, alarm and detector according to another embodiment of my new design, having a blank centre cap.

Components of the claimed article are shown separately for illustrative purposes only.

FOREIGN PATENT DOCUMENTS

EP 0346152 A2 12/1989

1 Claim, 4 Drawing Sheets



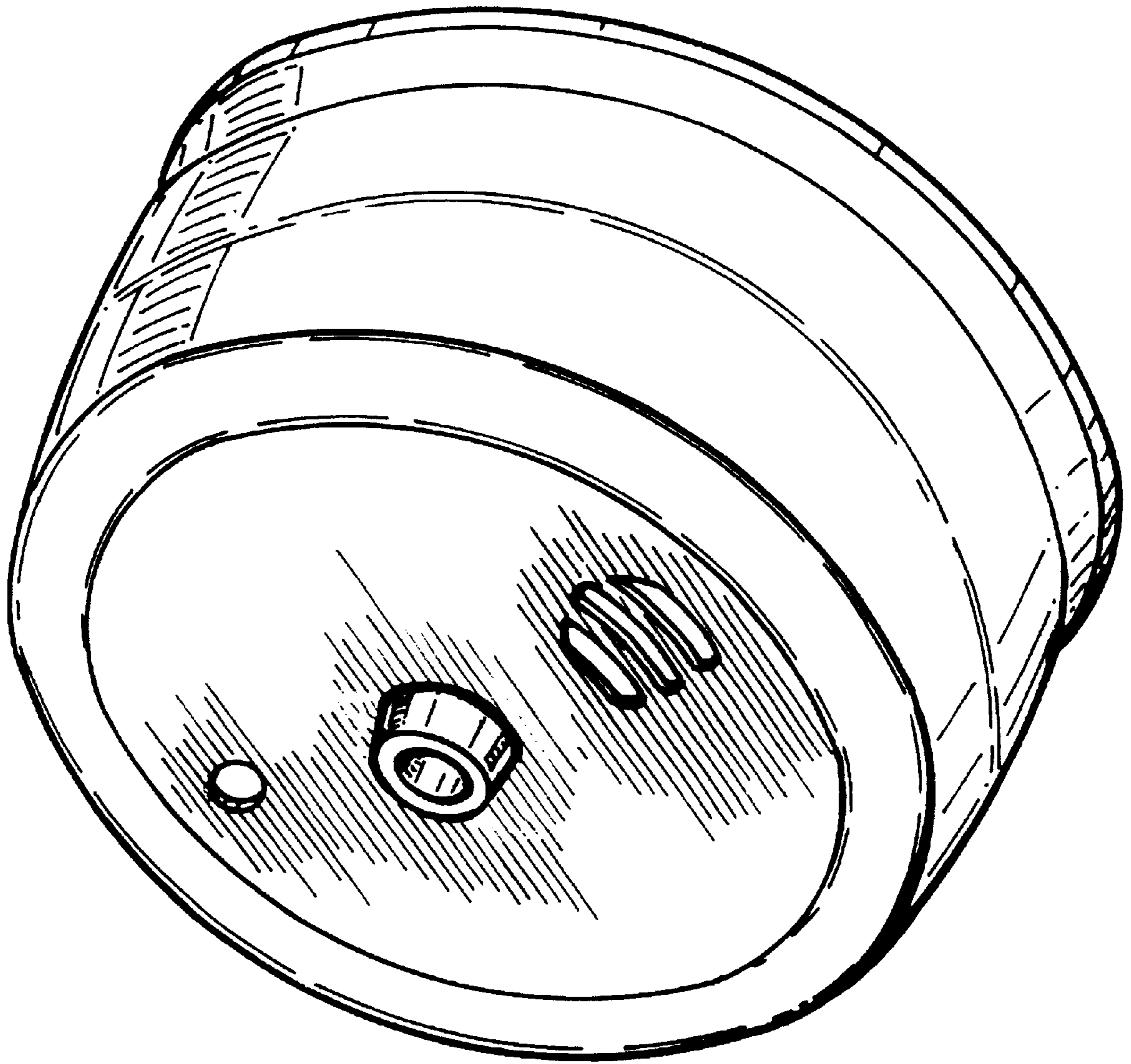


Fig. 1

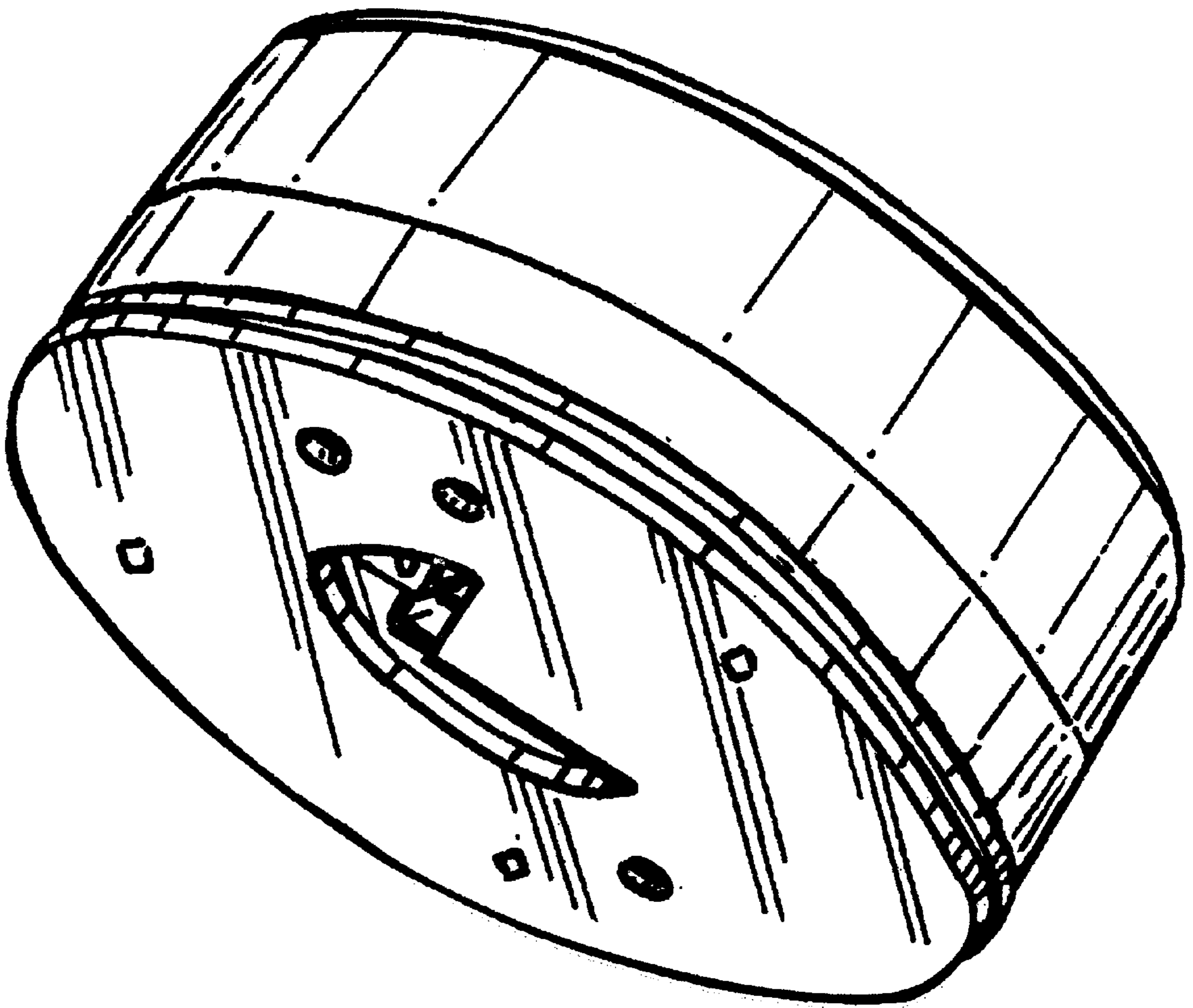


Fig. 2

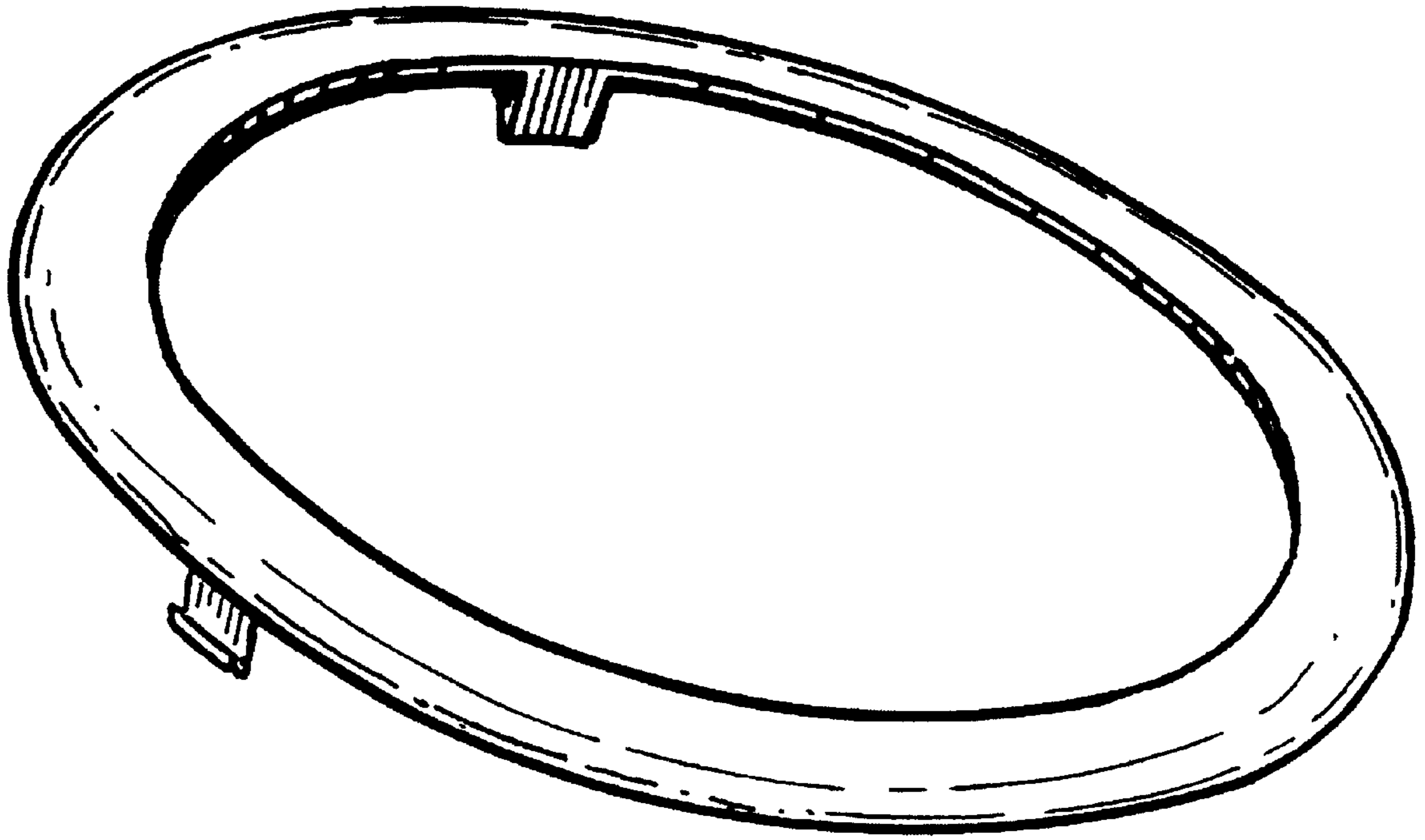


Fig. 3

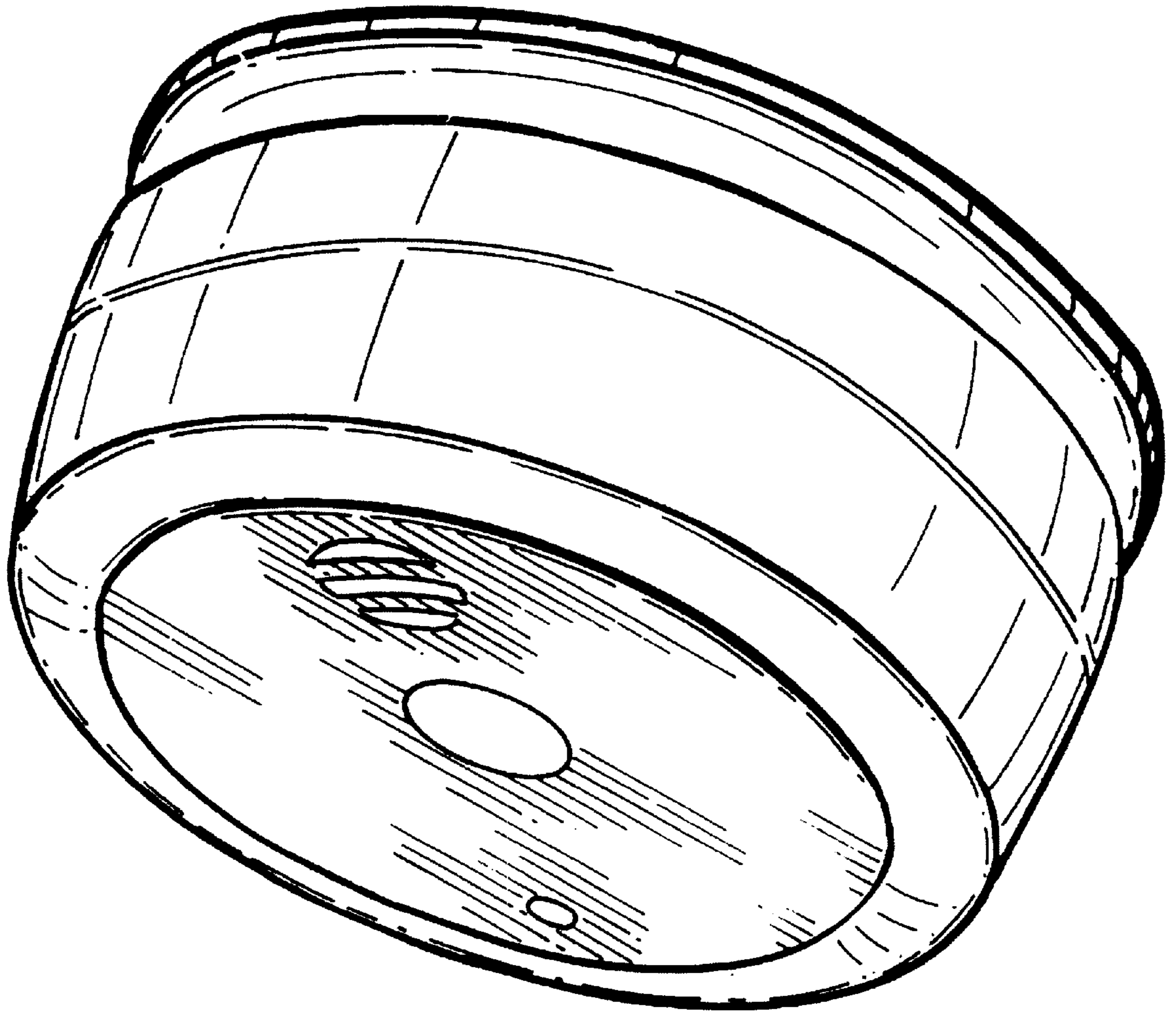


Fig. 4