



US00D476756S

(12) **United States Design Patent**
Weber et al.

(10) **Patent No.: US D476,756 S**

(45) **Date of Patent: ** Jul. 1, 2003**

(54) **HEADLIGHT**

(75) Inventors: **Cindy Louise Weber**, Williamsburg, VA (US); **James Heinrich Weitz**, Hoboken, NJ (US); **Alberto Mantilla**, Regal Park, NY (US); **Anthony John Baxter**, New York, NY (US)

(73) Assignee: **Deere & Company**, Moline, IL (US)

(**) Term: **14 Years**

(21) Appl. No.: **29/164,174**

(22) Filed: **Jul. 19, 2002**

(51) **LOC (7) Cl.** **26-04**

(52) **U.S. Cl.** **D26/28**

(58) **Field of Search** D26/28-36; 362/61, 362/62, 64, 80, 81, 82, 83, 84

(56) **References Cited**

U.S. PATENT DOCUMENTS

| | | | | | |
|------------|---|--------|----------|-------|--------|
| D154,925 S | * | 8/1949 | Ingle | | D26/30 |
| D354,147 S | * | 1/1995 | Ueda | | D26/28 |
| D469,193 S | * | 1/2003 | Jeffries | | D26/28 |

* cited by examiner

Primary Examiner—Marcus A. Jackson

(57) **CLAIM**

The ornamental design for a headlight, as shown and described.

DESCRIPTION

FIG. 1 is a right front elevation perspective view of a headlight from the left side showing our new design, with the broken line showing for illustrative purposes only and forming no part of the claimed design;

FIG. 2 is a right front elevated perspective view of the headlight design of FIG. 1.

FIG. 3 is a top view of the headlight design of FIG. 1.

FIG. 4 is a front view of the headlight design of FIG. 1.

FIG. 5 is a left side view of the headlight design of FIG. 1.

FIG. 6 is a bottom view of the headlight design of FIG. 1.

FIG. 7 is a right side view of the headlight design of FIG. 1.

FIG. 8 is a left front elevation perspective view of a headlight from the right side thereof;

FIG. 9 is a left front elevated perspective view of the headlight design of FIG. 8.

FIG. 10 is a top view of the headlight design of FIG. 8.

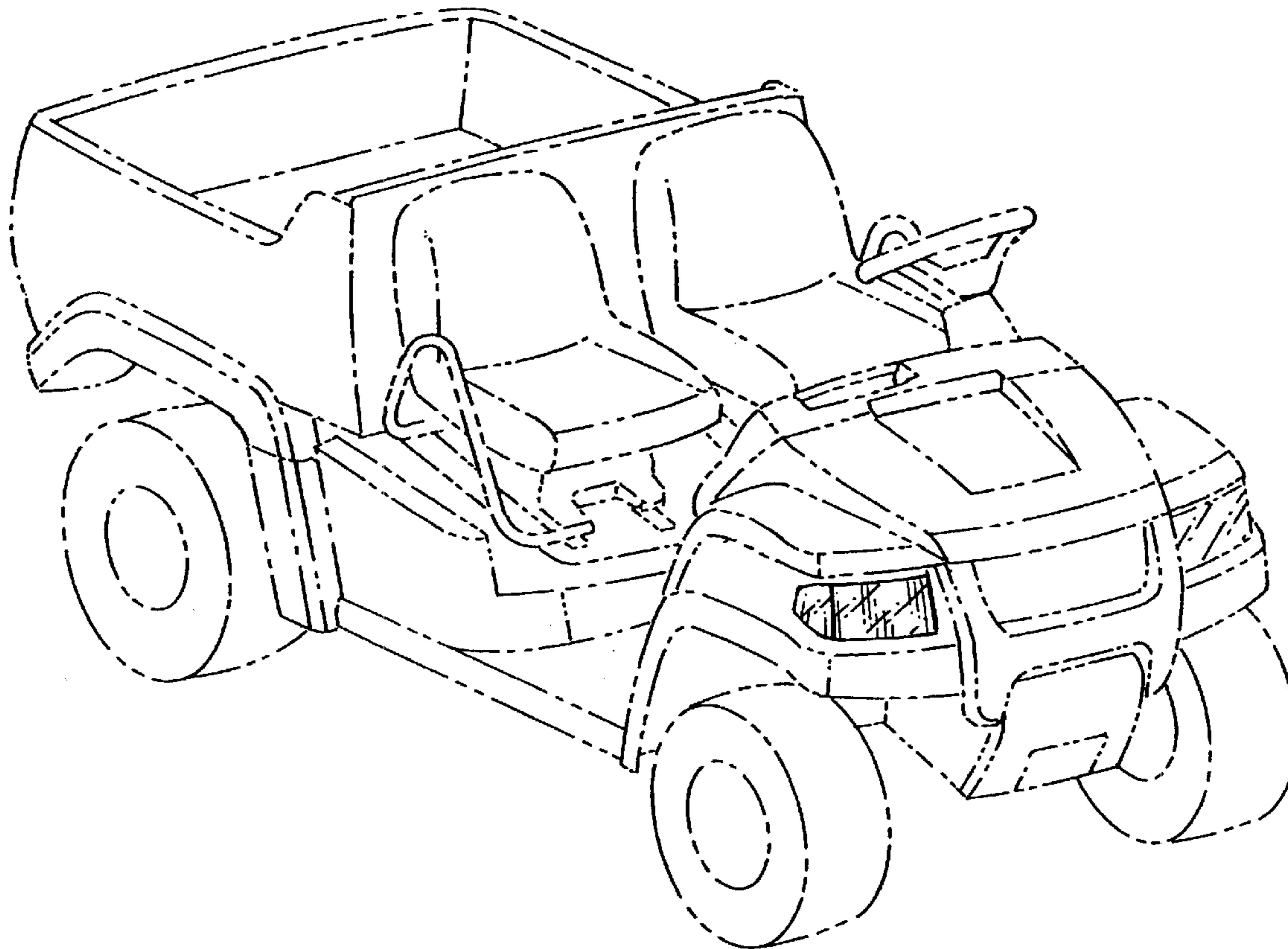
FIG. 11 is a front view of the headlight design of FIG. 8.

FIG. 12 is a left side view of the headlight design of FIG. 8.

FIG. 13 is a bottom view of the headlight design of FIG. 8; and,

FIG. 14 is a right side view of the headlight design of FIG. 8.

1 Claim, 4 Drawing Sheets



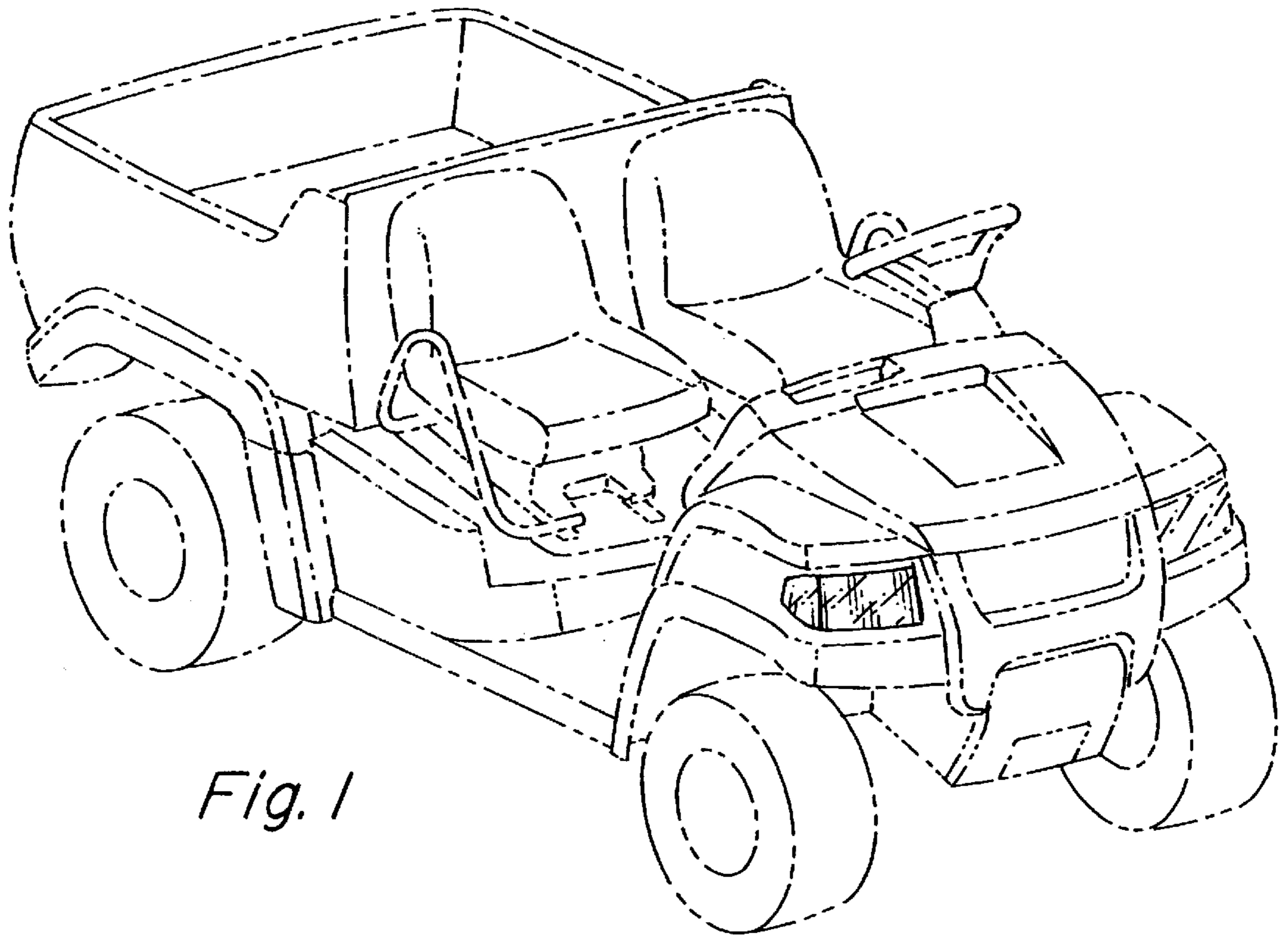


Fig. 1

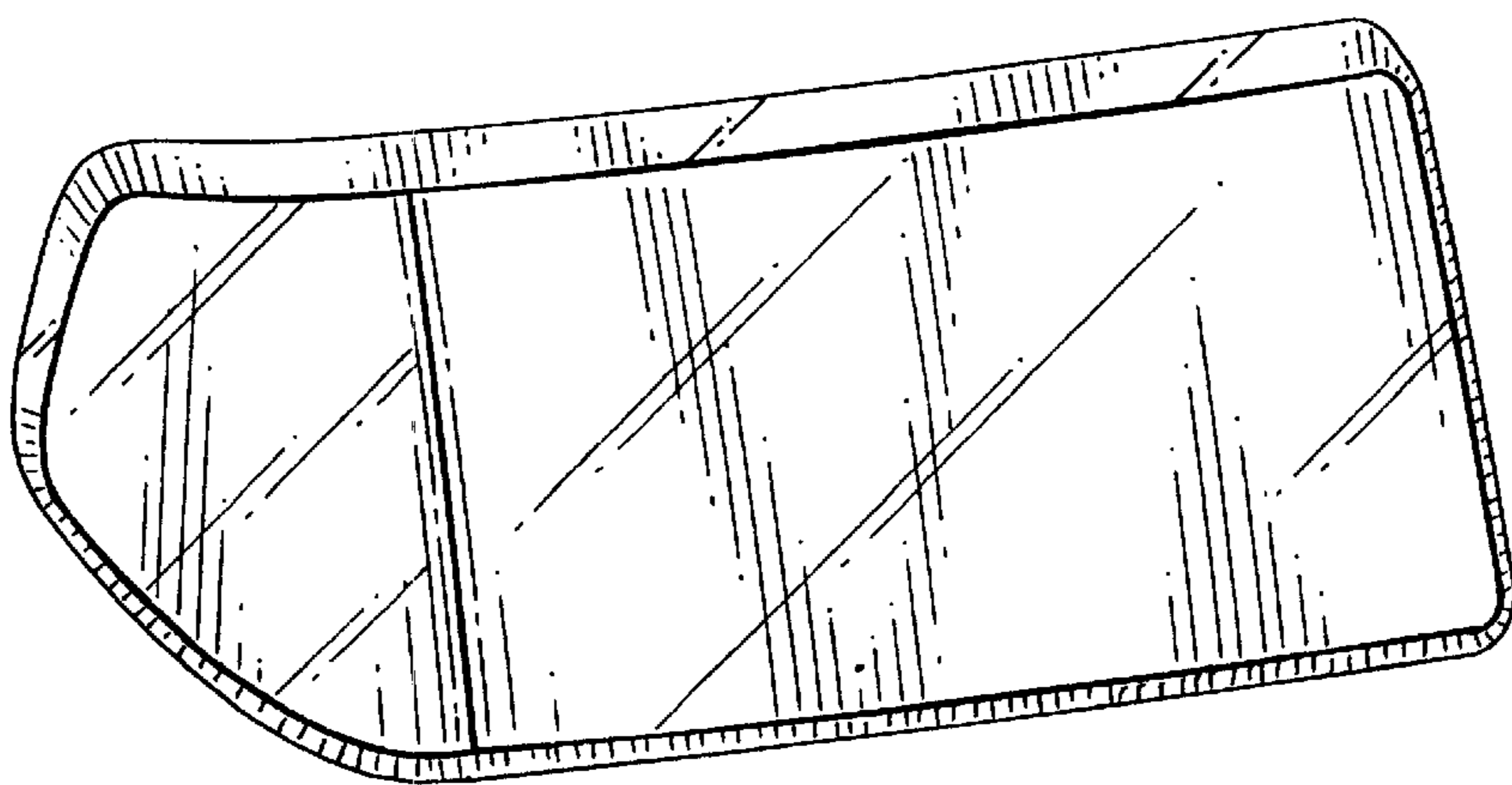


Fig. 2

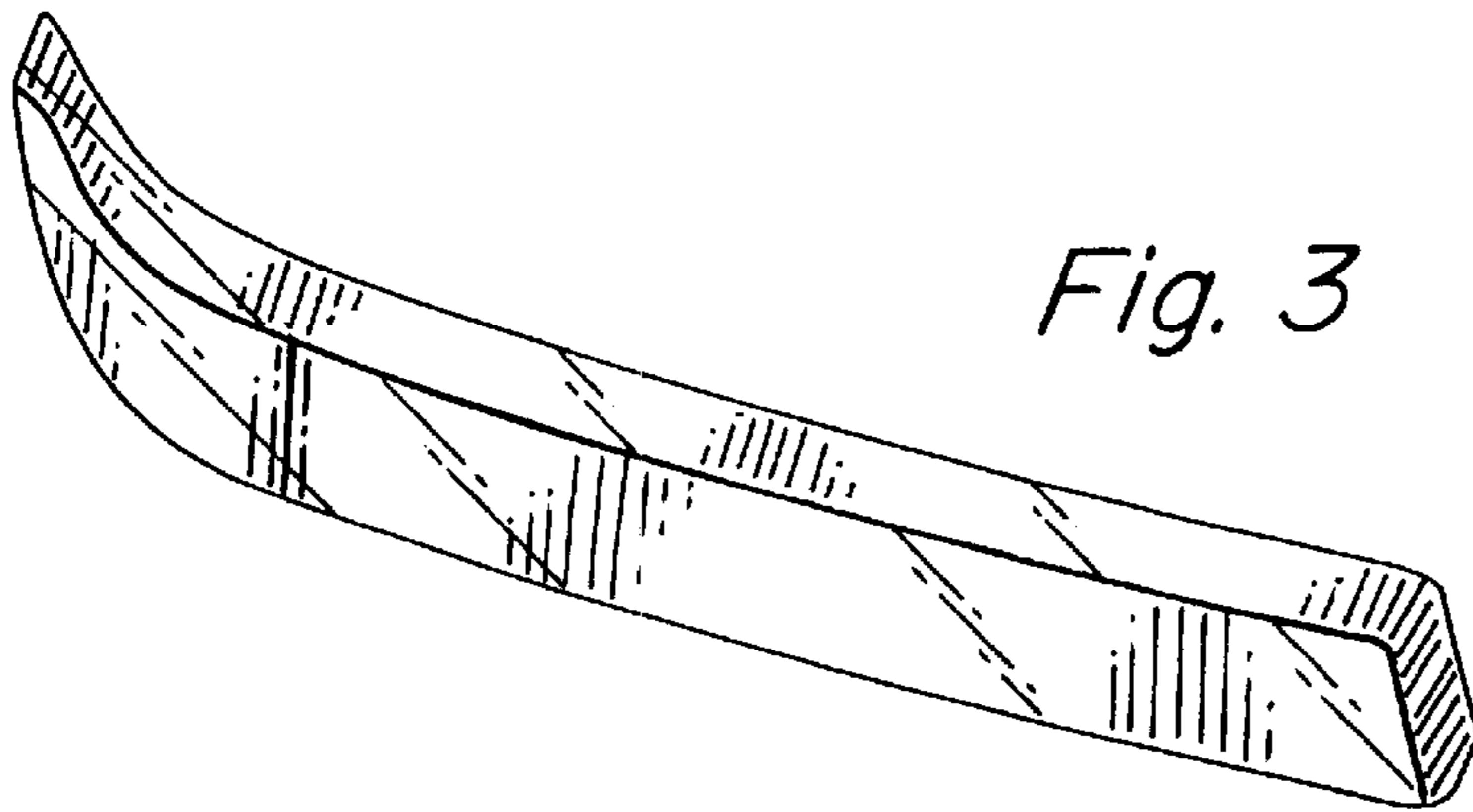


Fig. 3

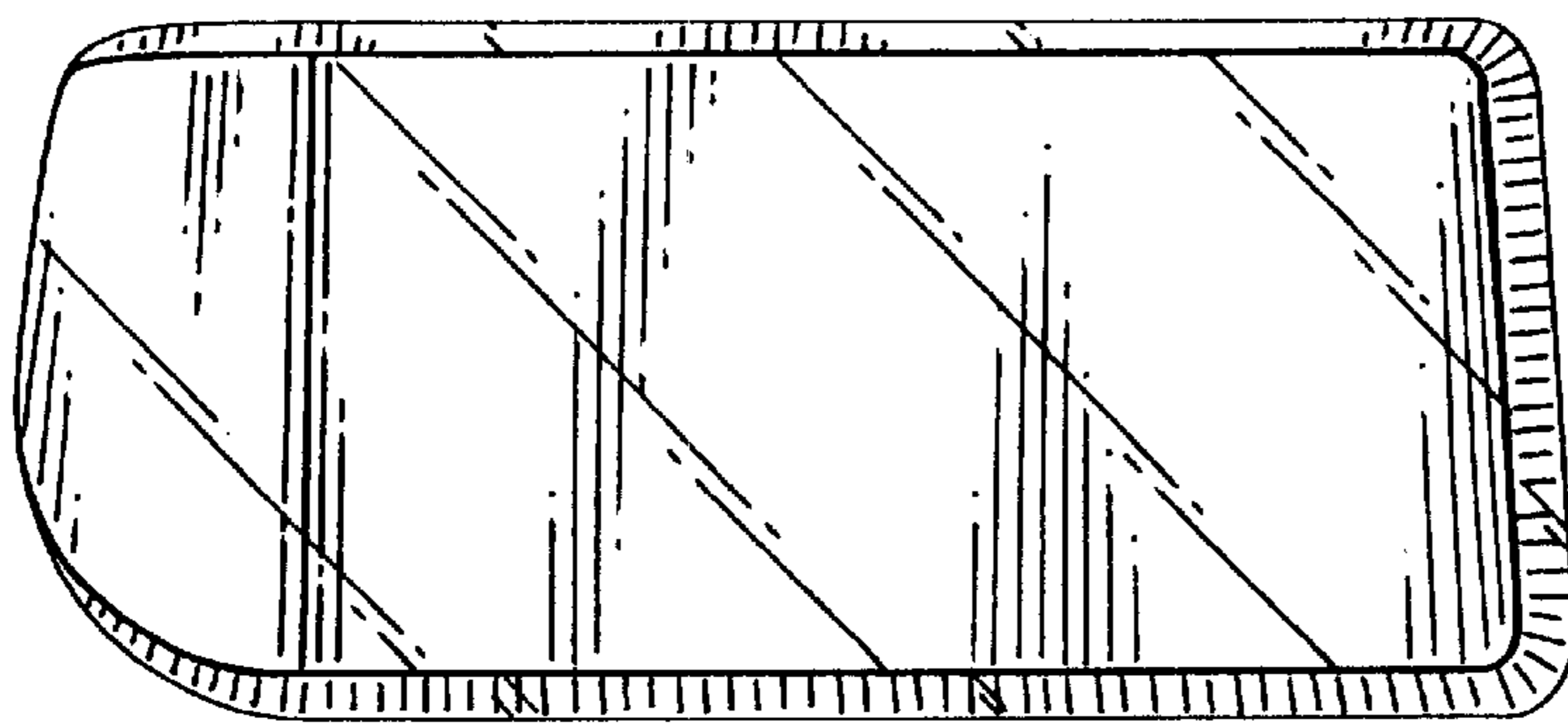


Fig. 4

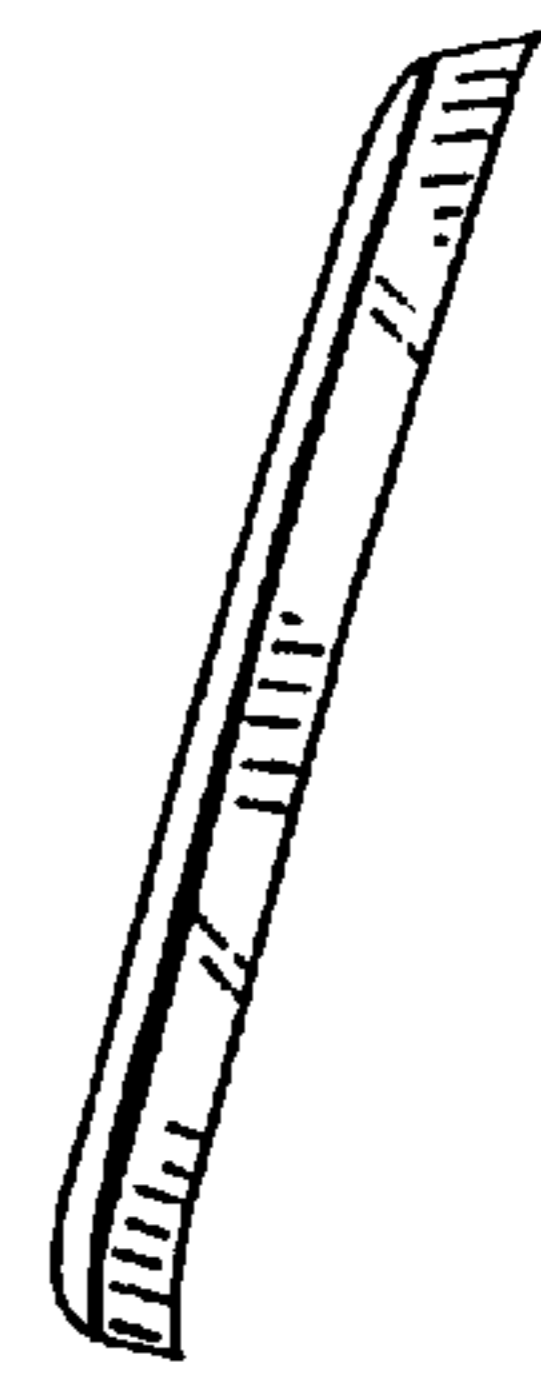


Fig. 5

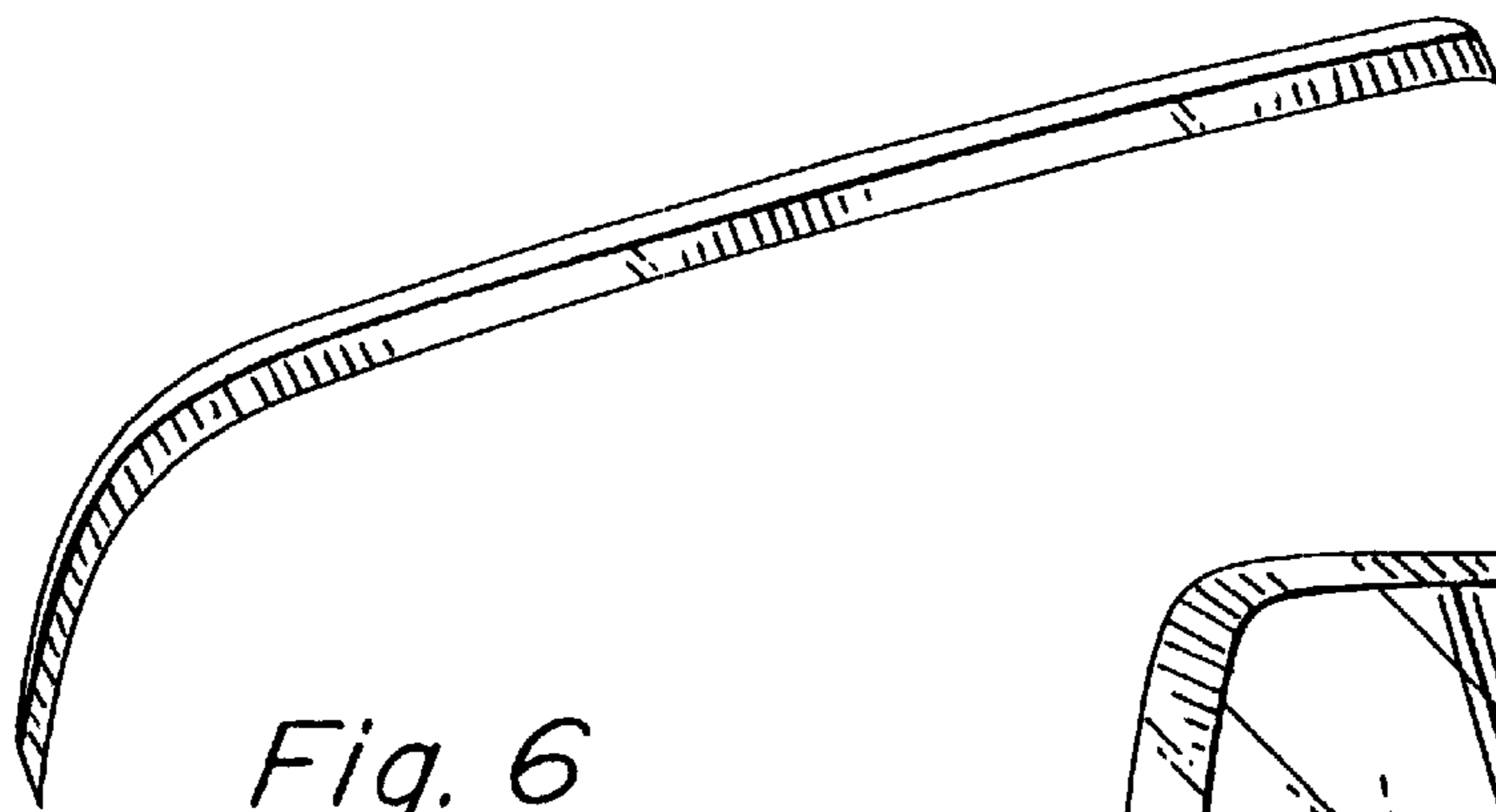


Fig. 6

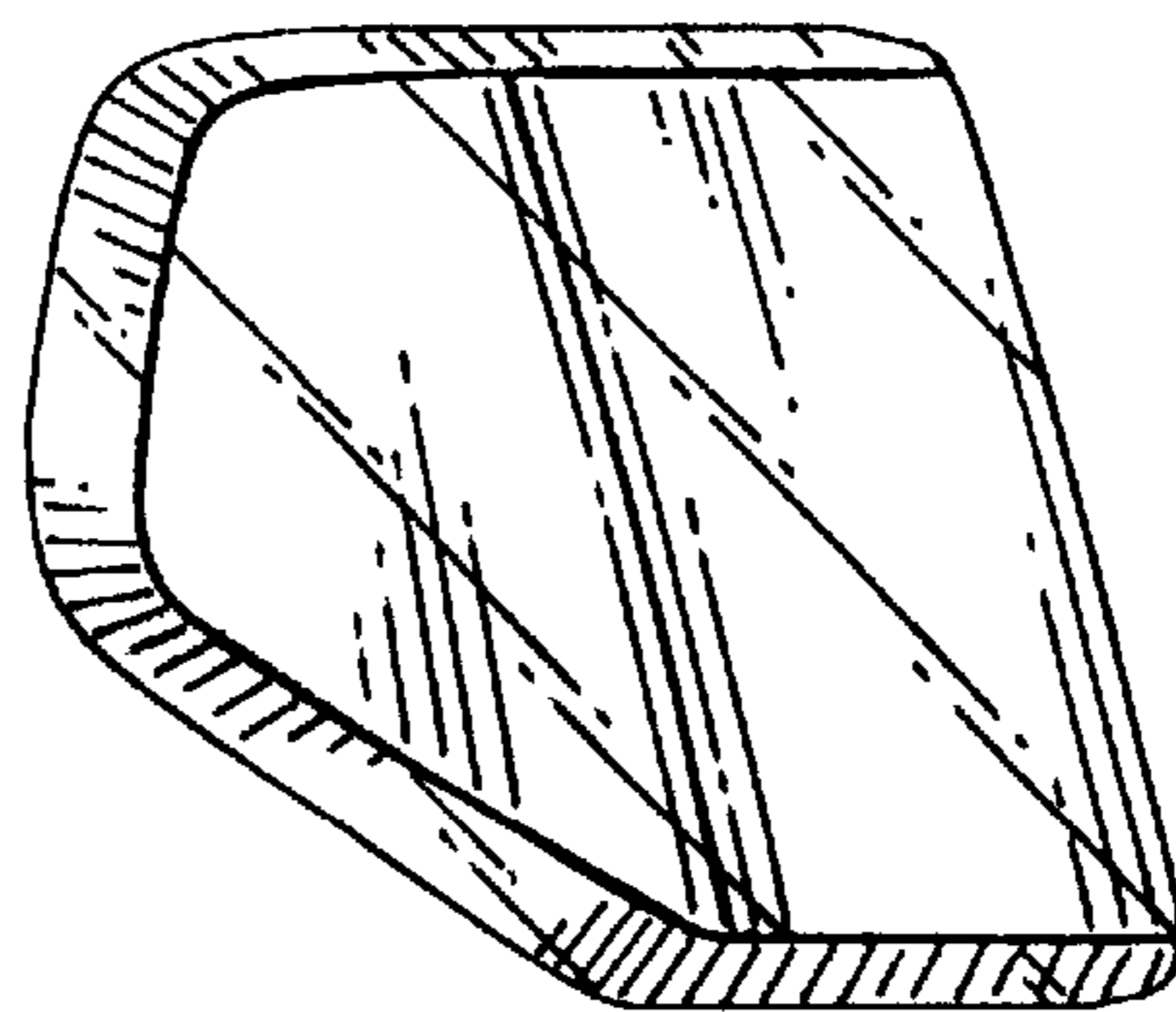


Fig. 7

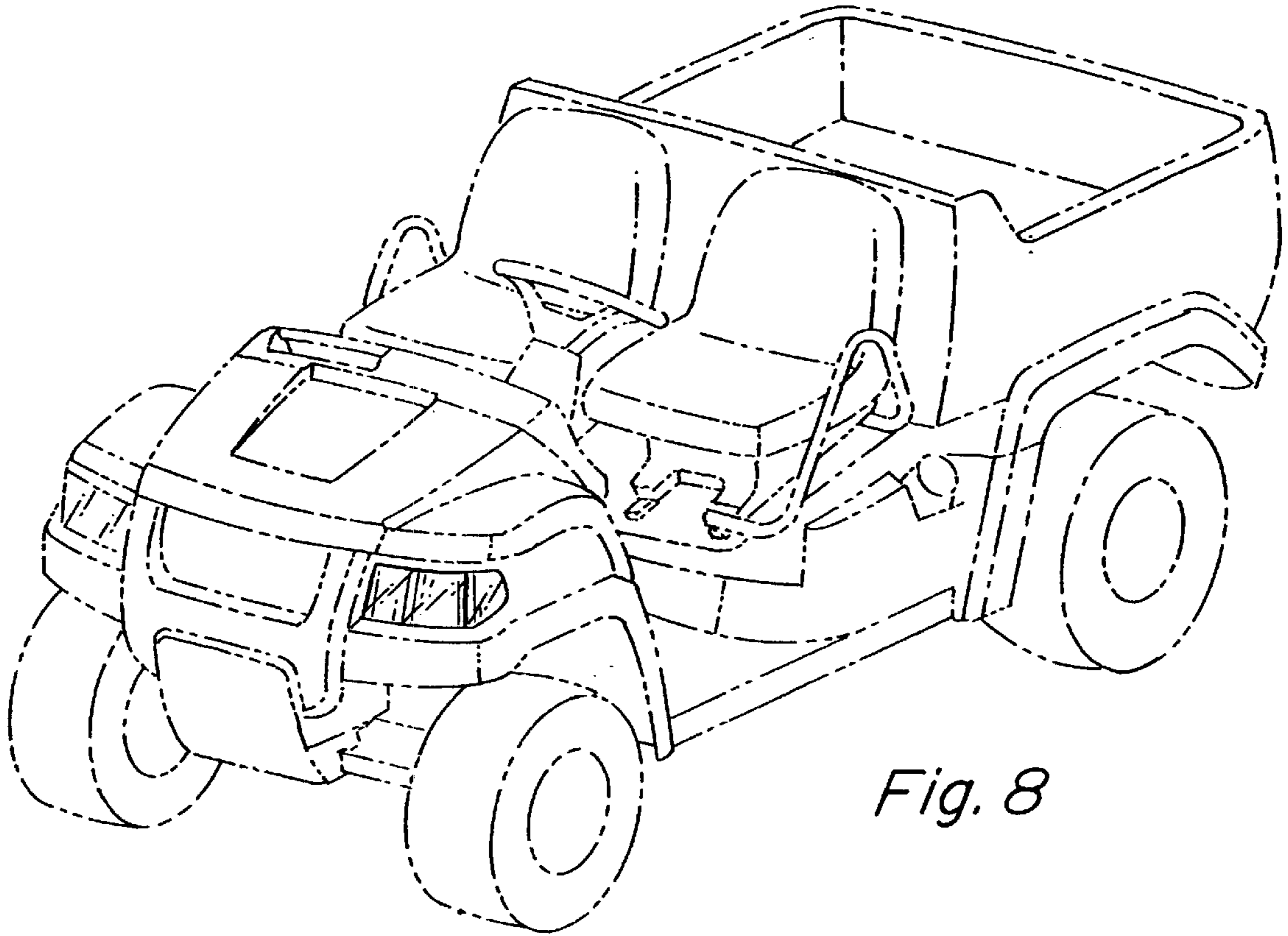


Fig. 8

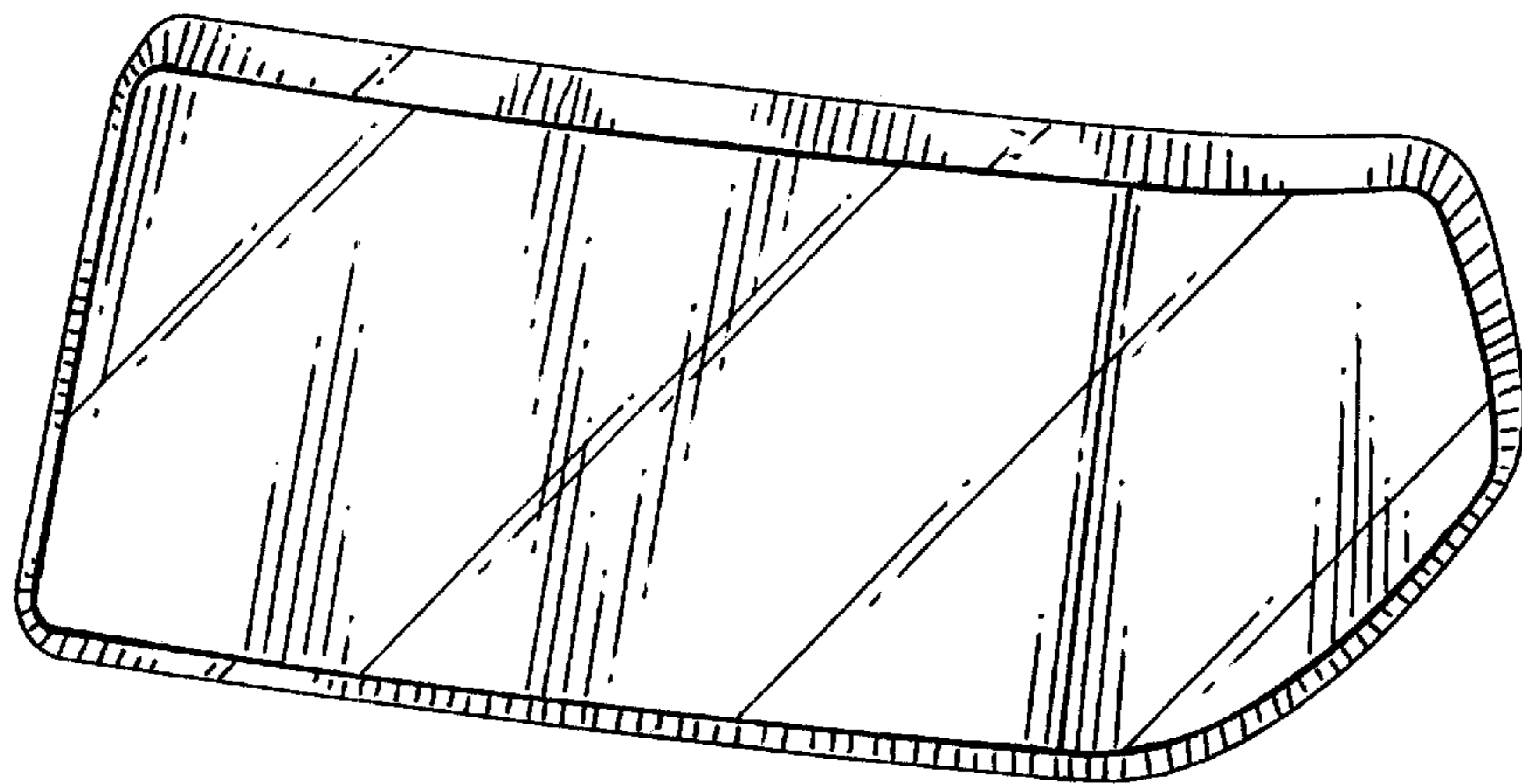


Fig. 9

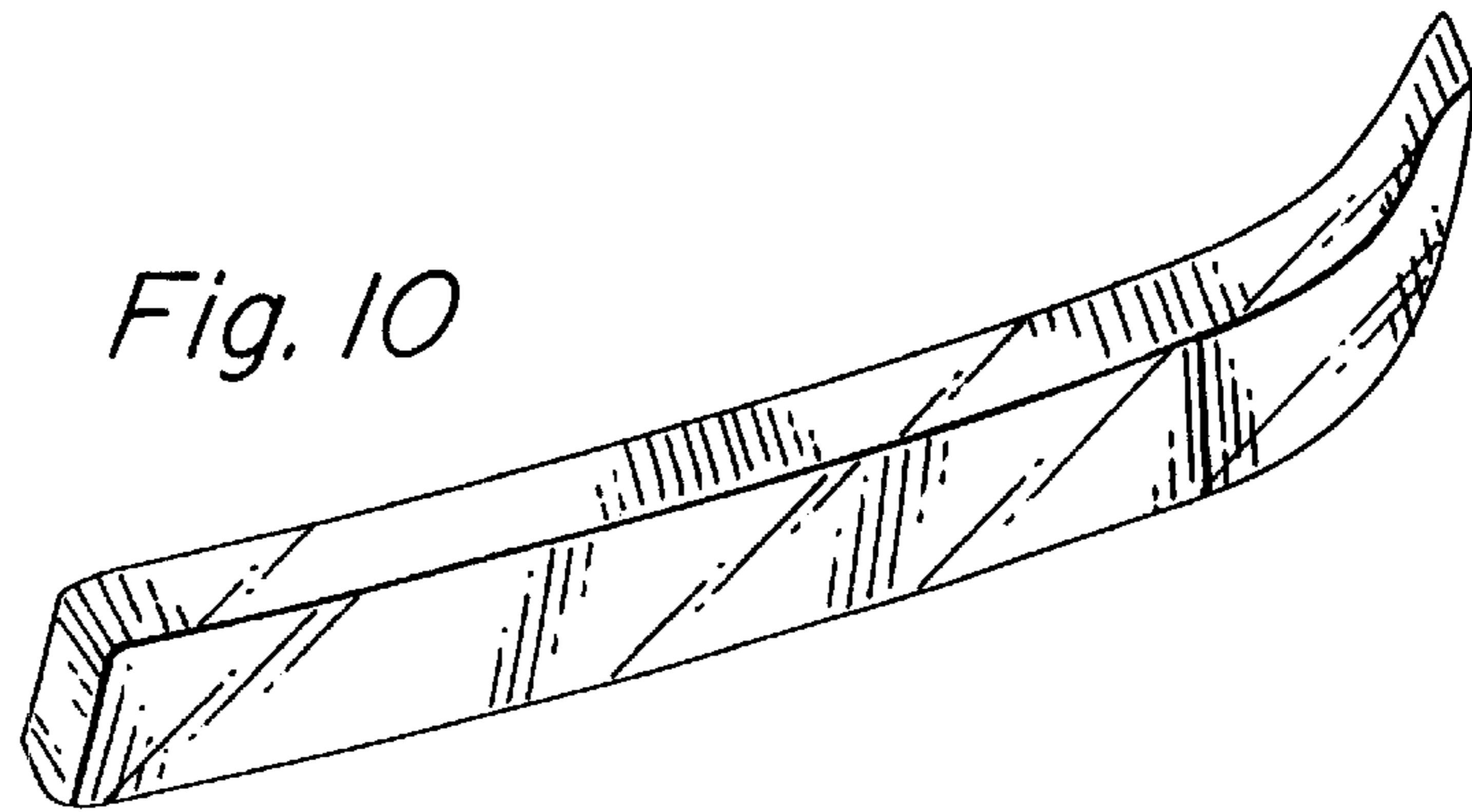


Fig. 10

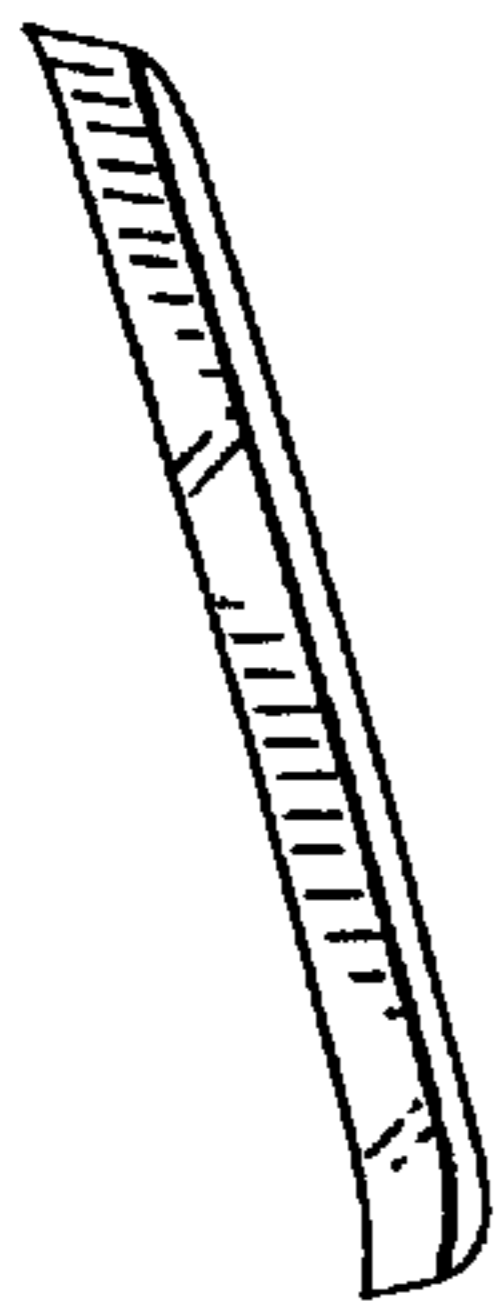


Fig. 14

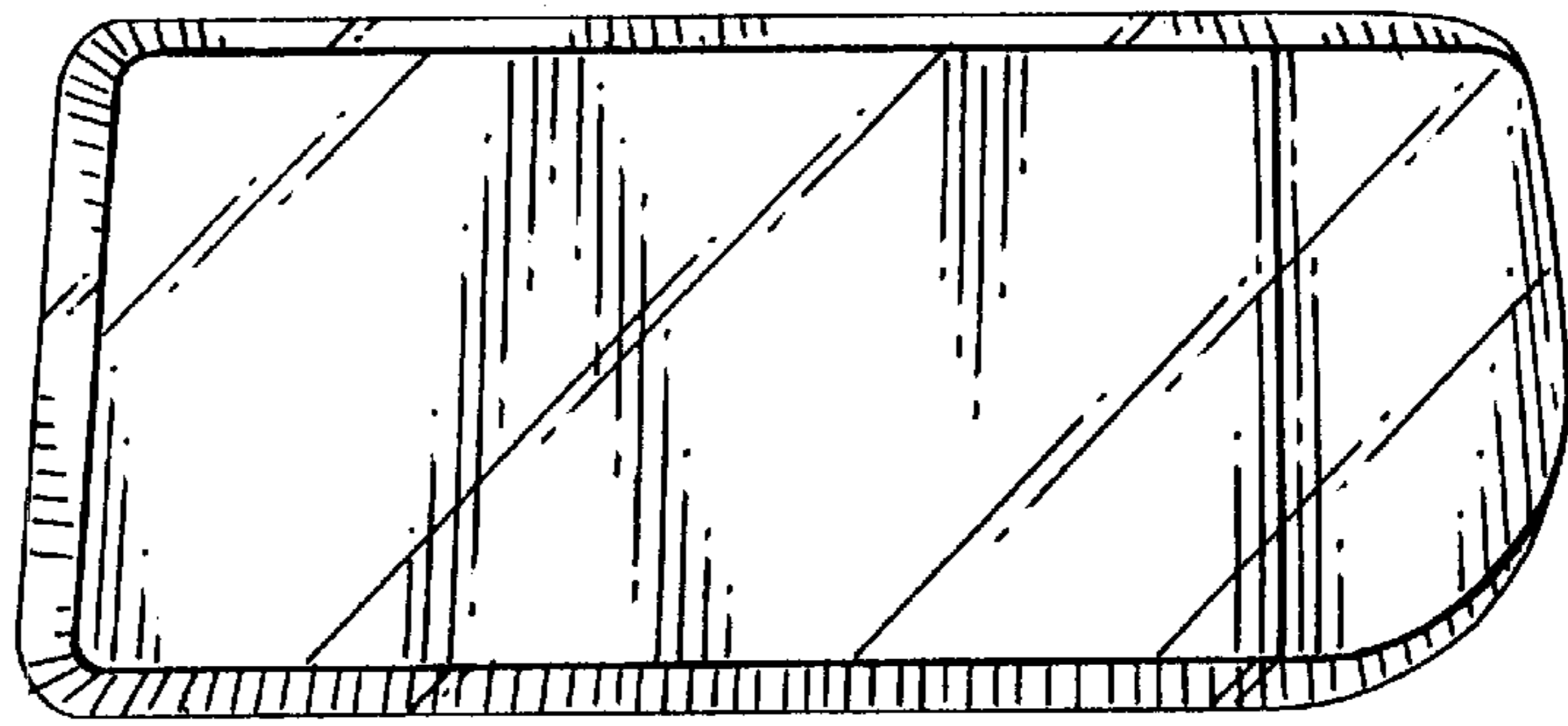


Fig. 11

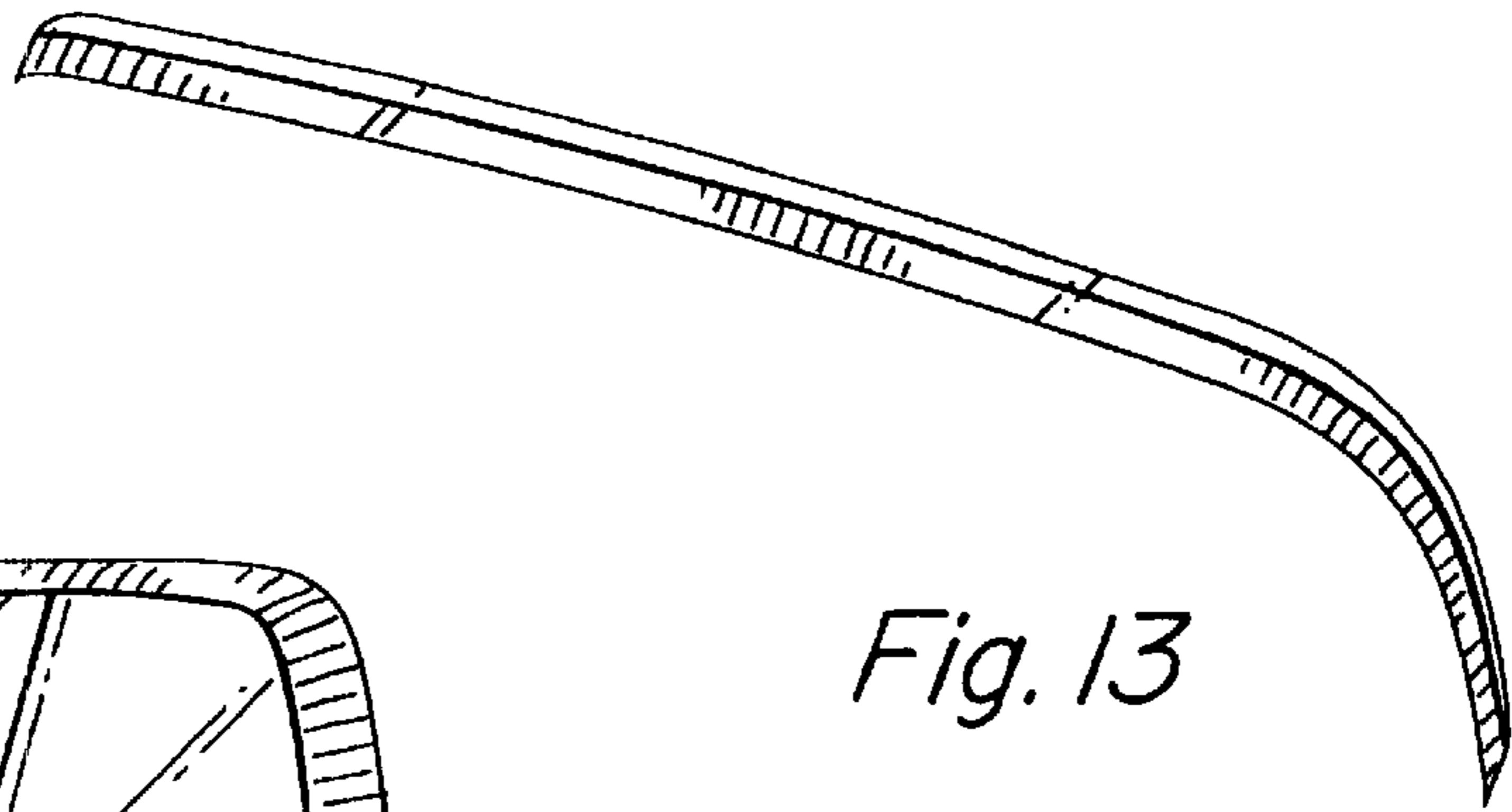


Fig. 13

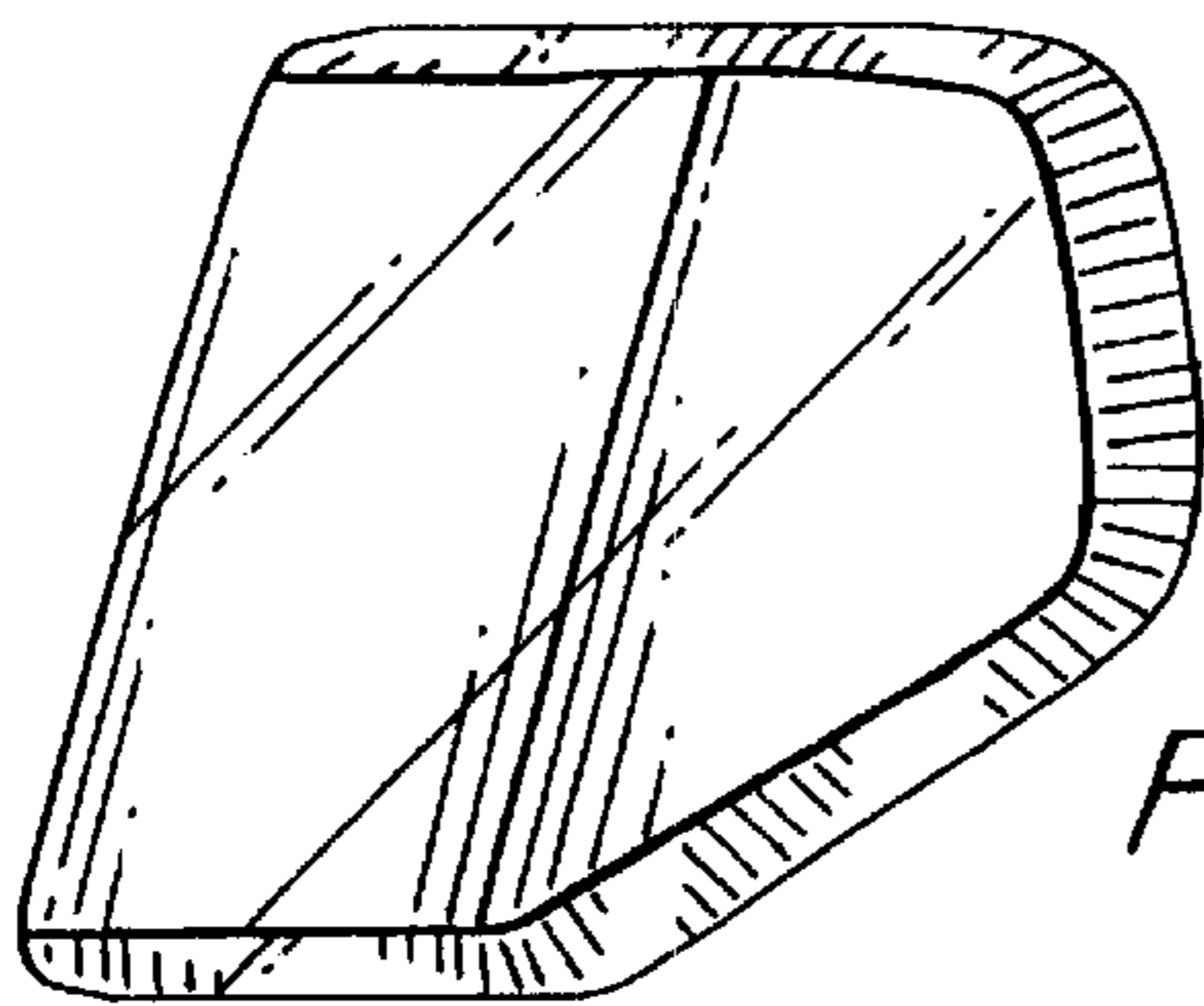


Fig. 12