



US00D476754S

(12) **United States Design Patent**
Huang

(10) **Patent No.:** **US D476,754 S**

(45) **Date of Patent:** **** Jul. 1, 2003**

(54) **MELTING CONTAINER FOR ESSENTIAL OIL CANDLES**

Primary Examiner—Antoine Duval Davis

(76) **Inventor:** **Yung-Kuan Huang**, 58, Ma Yuan West St., Taichung (TW)

(57) **CLAIM**

The ornamental design for a melting container for essential oil candles, as shown and described.

(**) **Term:** **14 Years**

DESCRIPTION

(21) **Appl. No.:** **29/164,493**

FIG. 1 is a front elevational view of a melting container for essential oil candles showing my design;
FIG. 2 is a rear elevational view thereof;
FIG. 3 is a left side elevational view thereof;
FIG. 4 is a right side elevational view thereof;
FIG. 5 is a top plan view thereof;
FIG. 6 is a bottom plan view thereof;
FIG. 7 is a perspective view thereof;
FIG. 8 is a perspective exploded view of a melting container for essential oil candles showing my design; and,
FIG. 9 is another perspective exploded view of a melting container for essential oil candles showing my design.

(22) **Filed:** **Jul. 23, 2002**

(51) **LOC (7) Cl.** **26-01**

(52) **U.S. Cl.** **D26/21**

(58) **Field of Search** D15/144–144.2;
D26/9, 21; 431/291–293

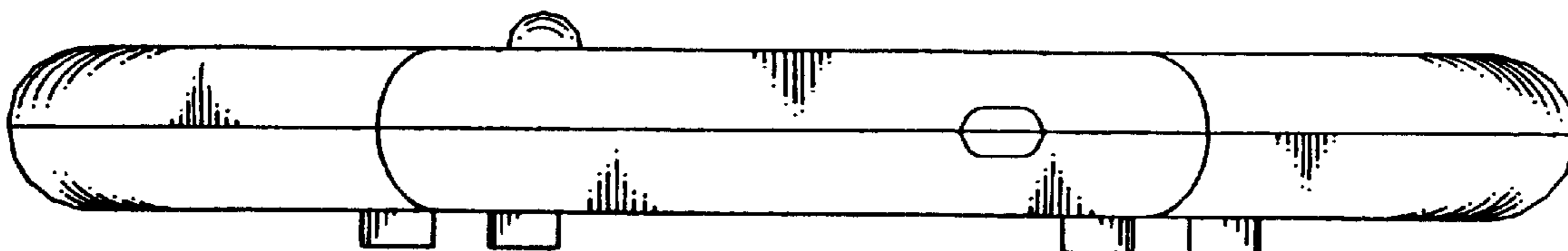
(56) **References Cited**

U.S. PATENT DOCUMENTS

D105,118 S * 6/1937 Mackelfresh, Jr. D26/21
6,065,960 A * 5/2000 Hardy 431/294

* cited by examiner

1 Claim, 7 Drawing Sheets



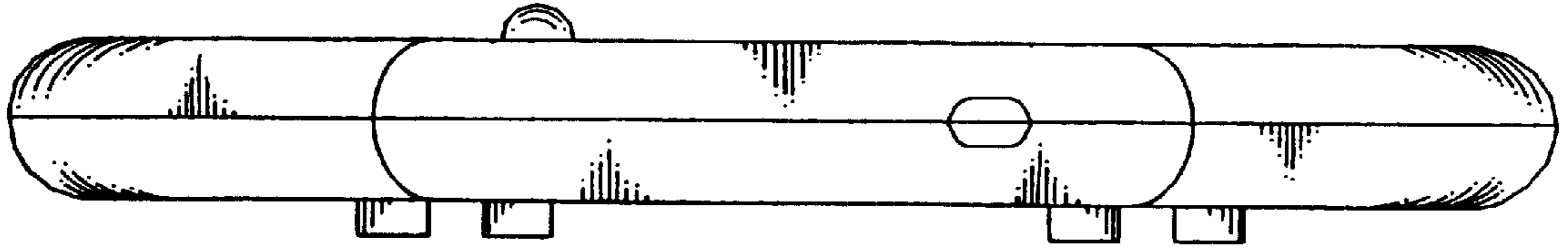


FIG. 1

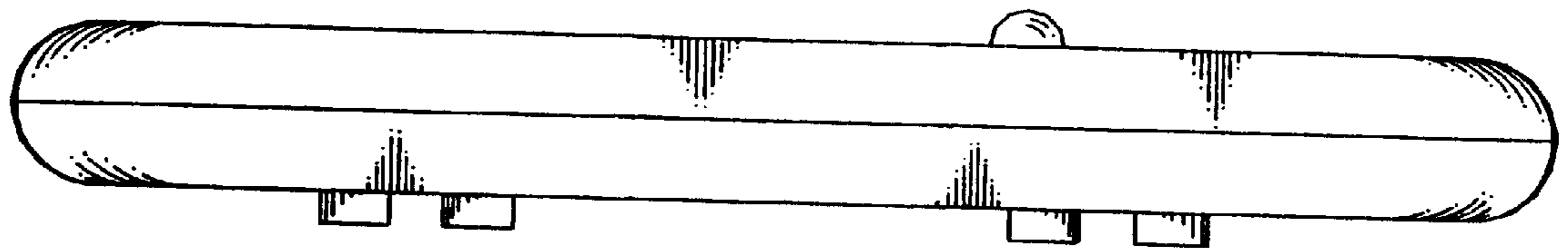


FIG. 2

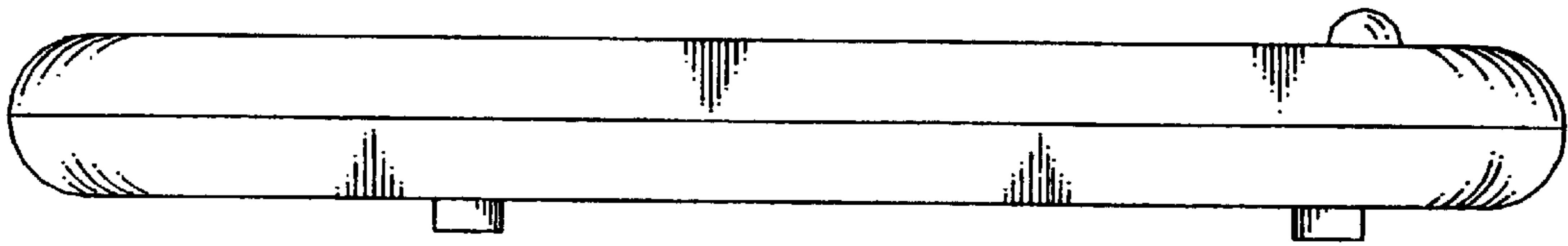


FIG. 3

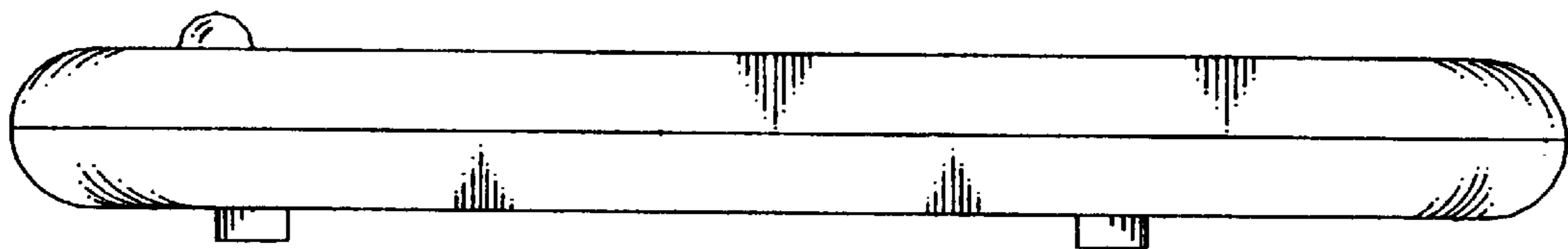


FIG. 4

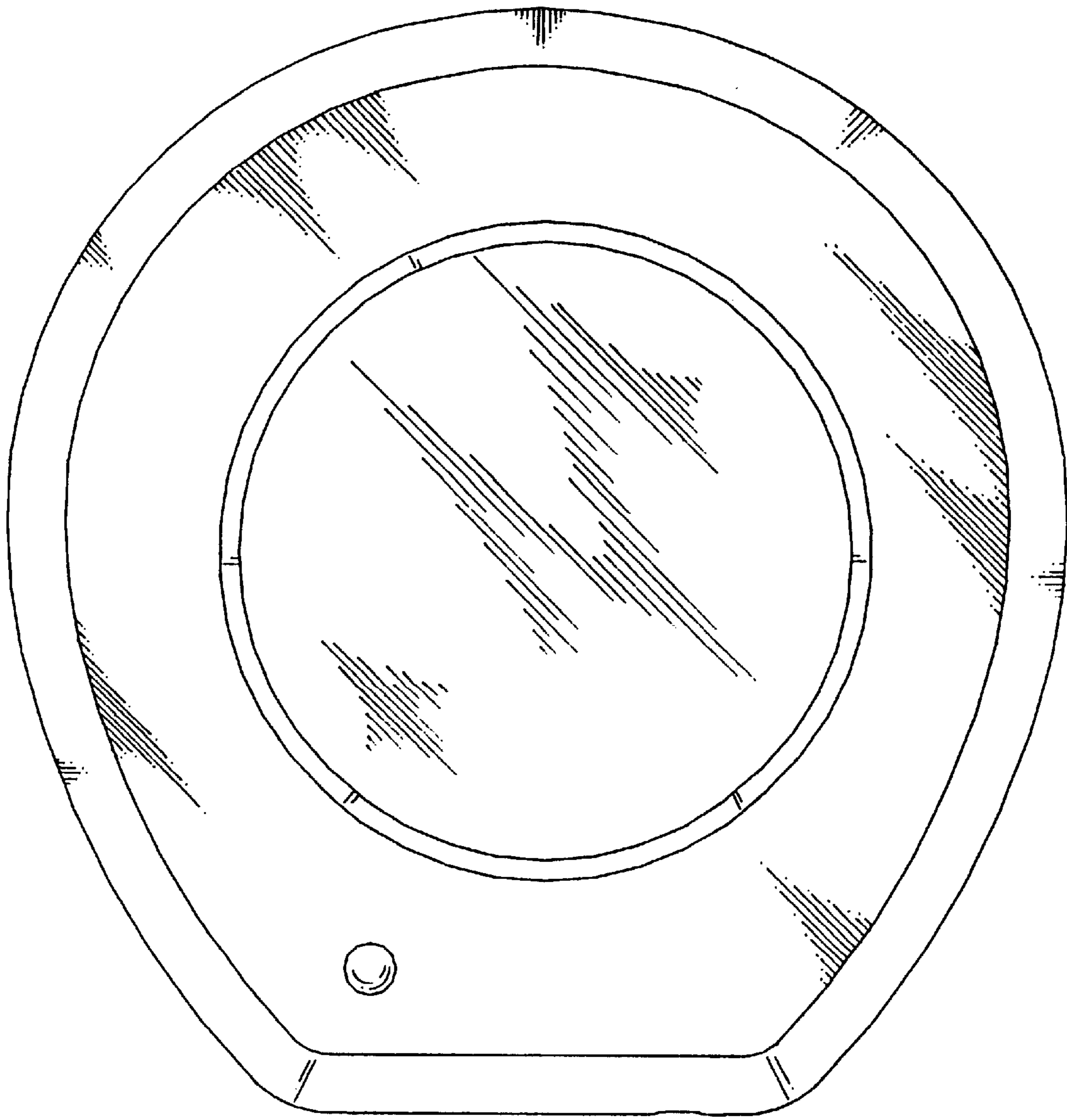


FIG.5

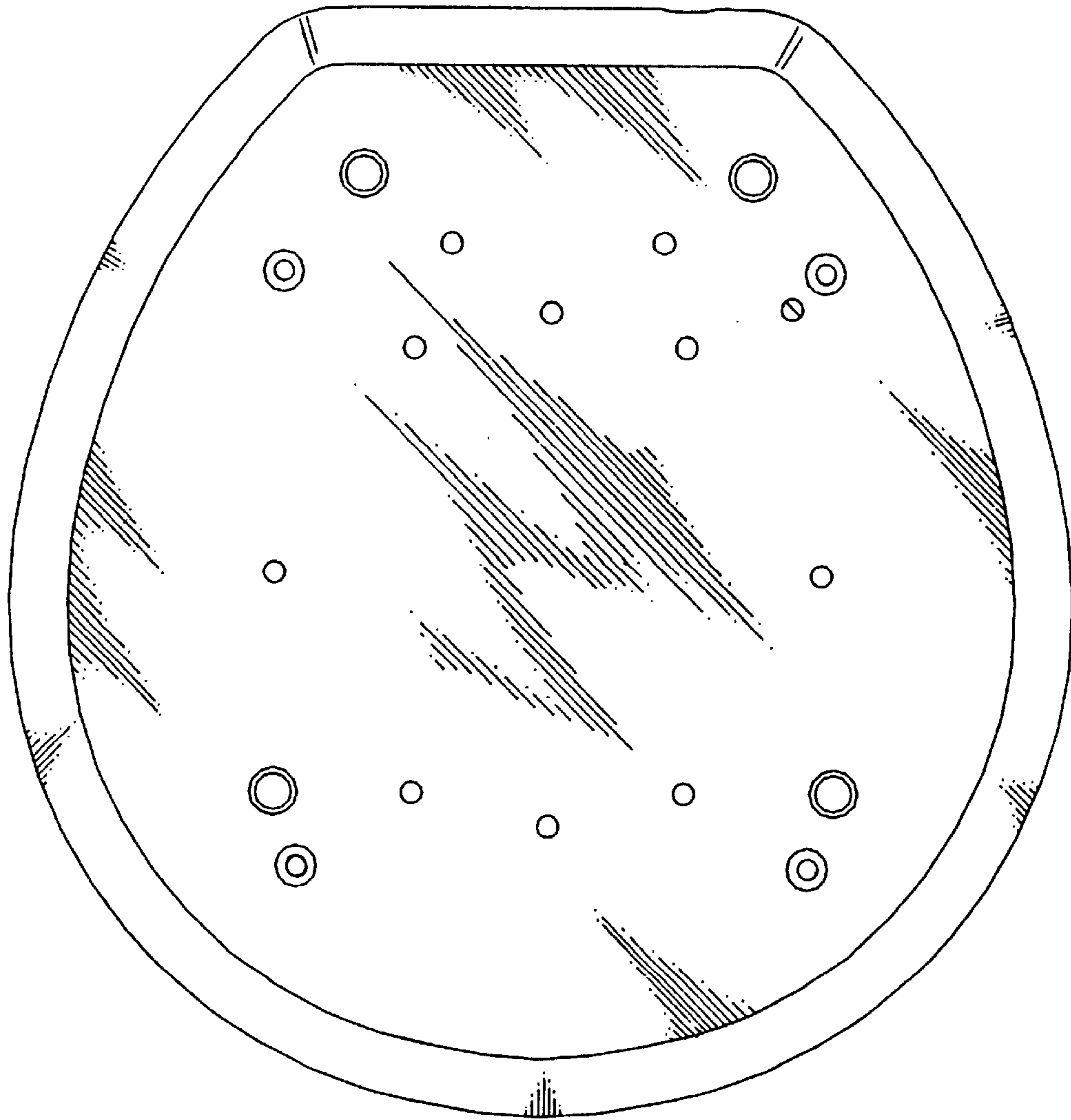


FIG.6

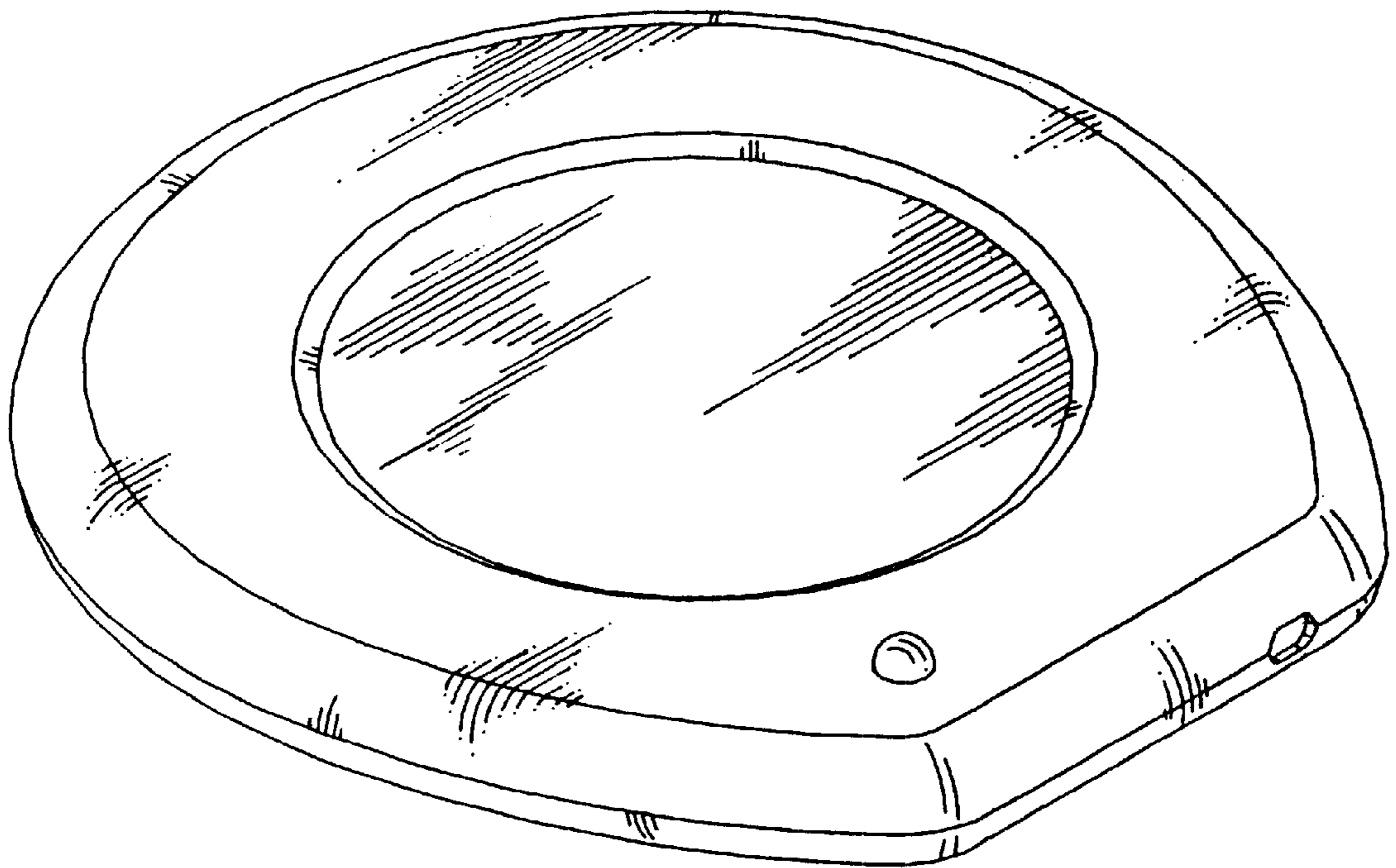


FIG. 7

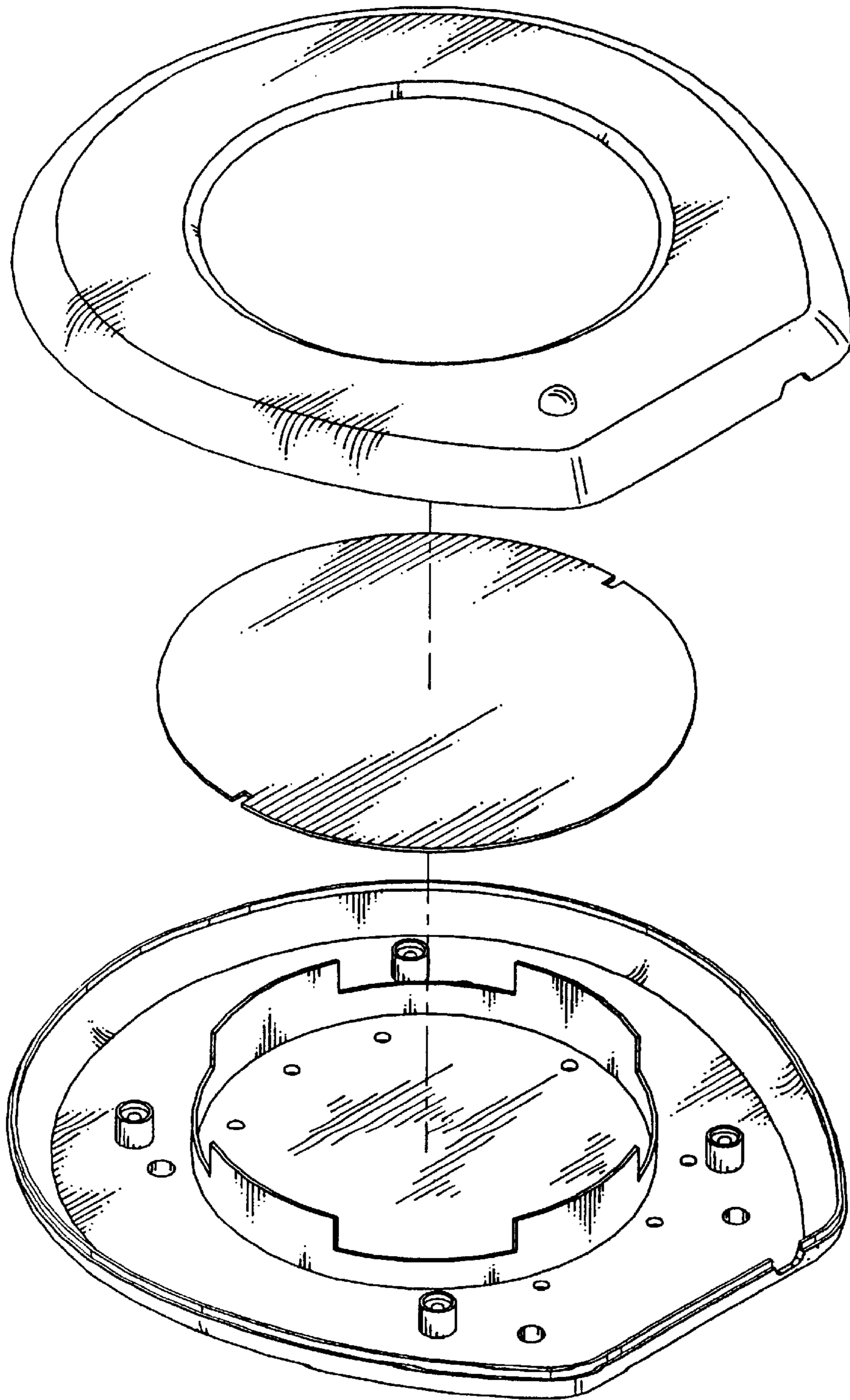


FIG. 8

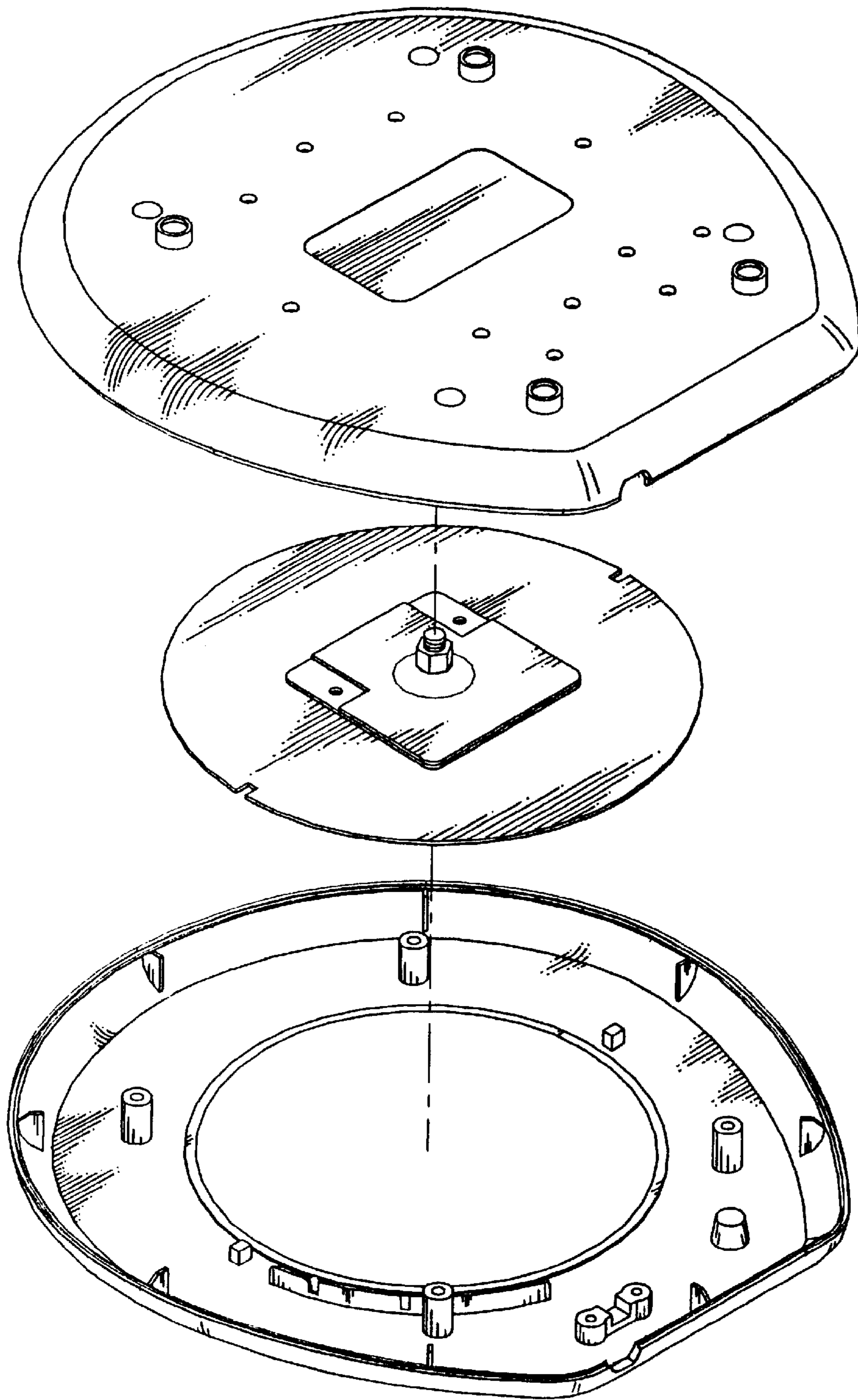


FIG. 9