



US00D476753S

(12) **United States Design Patent**
Chelf et al.

(10) **Patent No.:** **US D476,753 S**

(45) **Date of Patent:** **** Jul. 1, 2003**

(54) **FLUORESCENT LIGHT FIXTURE**

D418,936 S * 1/2000 Dunning D26/3
D448,499 S * 9/2001 Choi D26/3

(75) Inventors: **Bentley Chelf**, Laguna Nigel, CA (US);
Wang Liang Chou, Taichung (TW)

* cited by examiner

(73) Assignee: **General Innovations, LLC.**, Laguna Nigel, CA (US)

Primary Examiner—Marcus A. Jackson
(74) *Attorney, Agent, or Firm*—Haynes and Boone, LLP.

(**) Term: **14 Years**

(57) **CLAIM**

(21) Appl. No.: **29/159,685**

The design for the fluorescent light fixture, as shown and described.

(22) Filed: **Apr. 24, 2002**

(51) **LOC (7) Cl.** **26-06**

(52) **U.S. Cl.** **D26/3**

(58) **Field of Search** D26/1, 2, 3, 4,
D26/26; 313/313, 315, 318, 485, 493, 567,
569, 578, 579, 580

DESCRIPTION

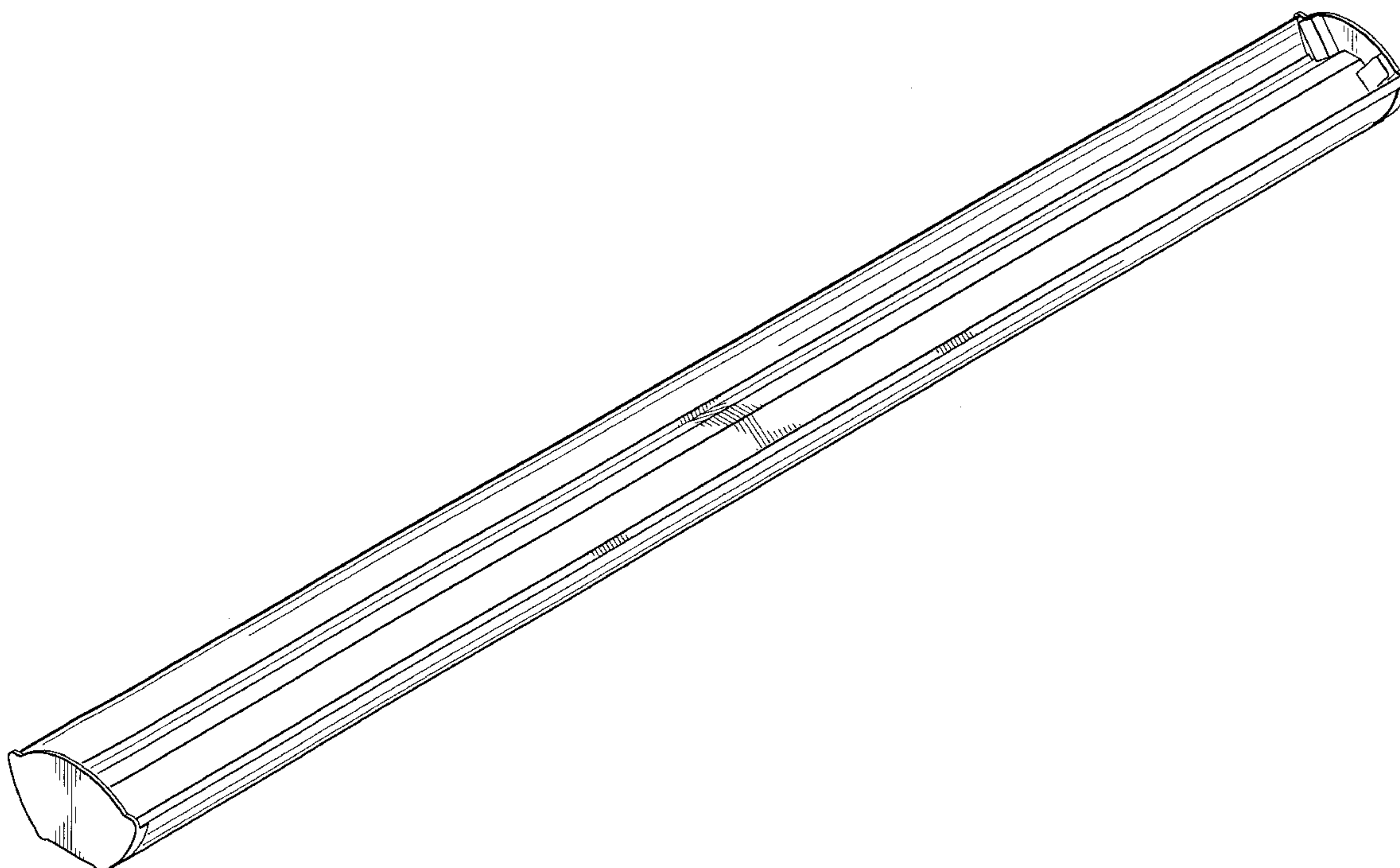
FIG. 1 is a isometric view of our new design;
FIG. 2 is a side elevational view;
FIG. 3 is an end elevational view;
FIG. 4 is a bottom plan view; and,
FIG. 5 is a top plan view.

(56) **References Cited**

U.S. PATENT DOCUMENTS

D400,987 S * 11/1998 Sato et al. D26/3

1 Claim, 2 Drawing Sheets



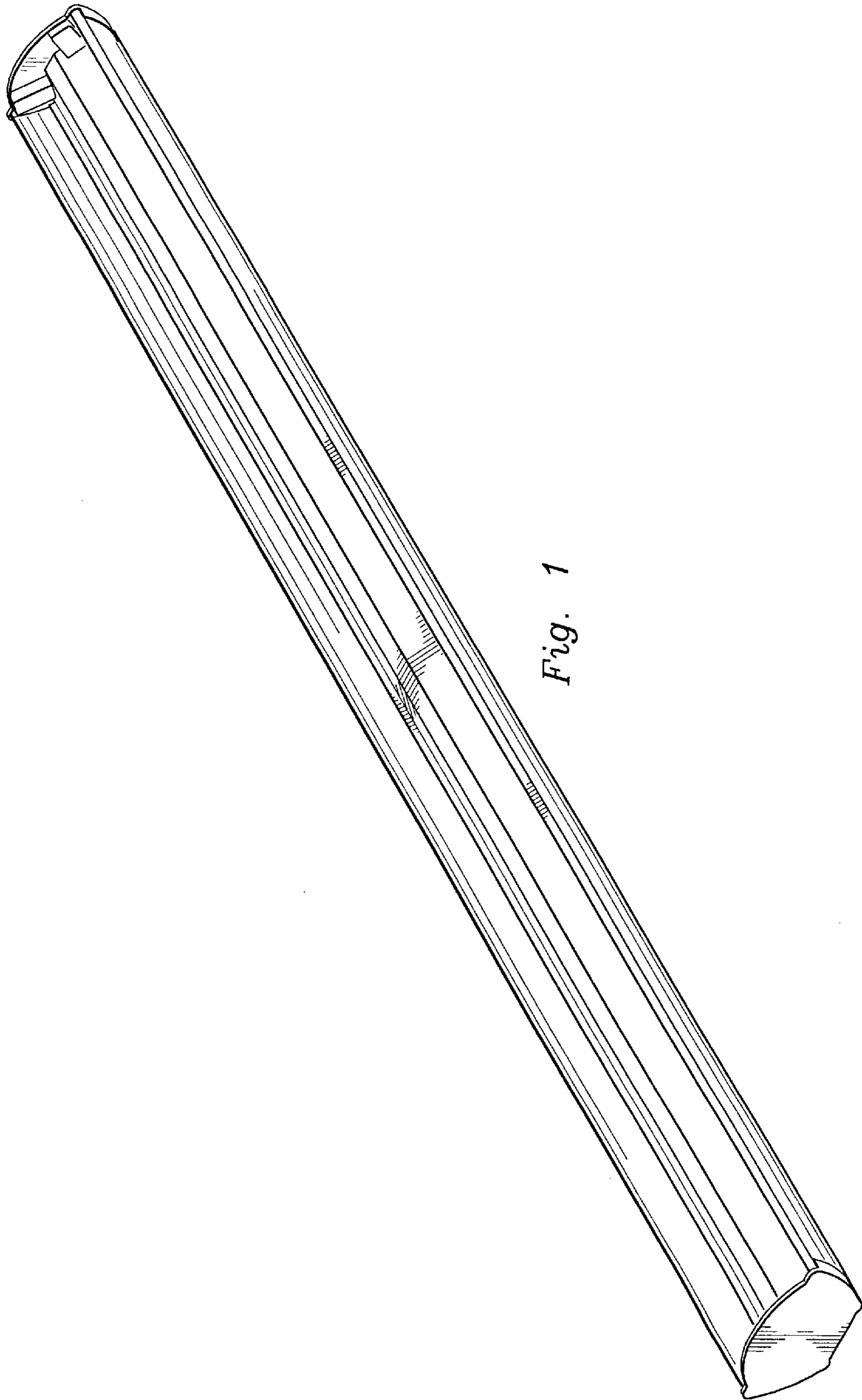


Fig. 1

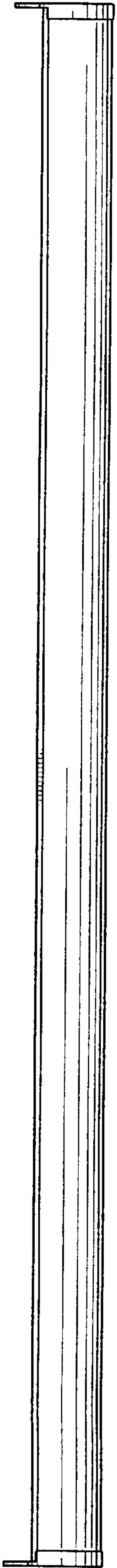


Fig. 2

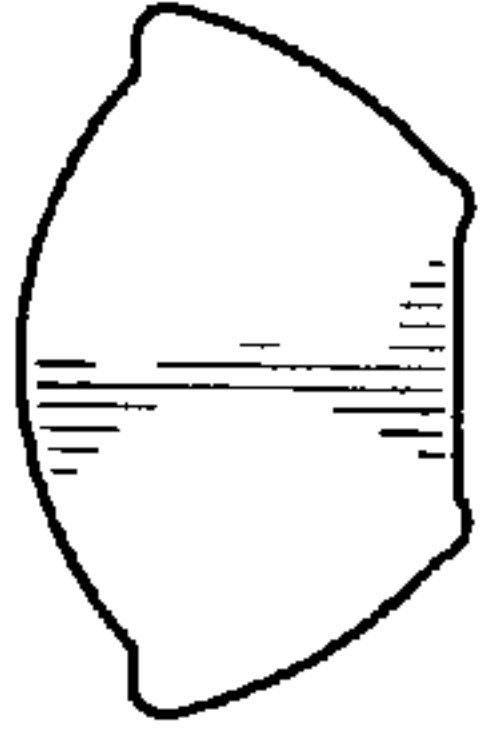


Fig. 3

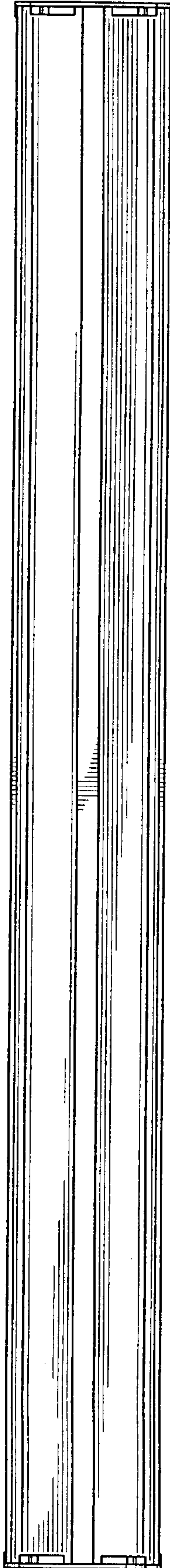


Fig. 4

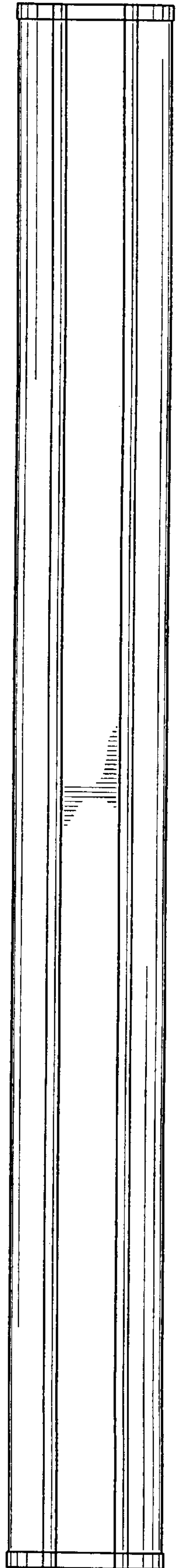


Fig. 5