



US00D476749S

(12) **United States Design Patent**
Cerrato

(10) **Patent No.:** **US D476,749 S**

(45) **Date of Patent:** **** Jul. 1, 2003**

(54) **INTERLOCKING MASONRY BLOCK**

D342,795 S * 12/1993 Harrison D25/118
D463,040 S * 9/2002 Cerrato D25/114

(75) Inventor: **Dominic Cerrato**, Bloomingdale, OH
(US)

FOREIGN PATENT DOCUMENTS

(73) Assignee: **Cercorp Initiatives, Inc.**, Steubenville,
OH (US)

GB 725071 * 3/1955 D25/114 X

(**) Term: **14 Years**

* cited by examiner

(21) Appl. No.: **29/171,771**

Primary Examiner—Louis S. Zarfes
Assistant Examiner—Robert A Delehanty
(74) *Attorney, Agent, or Firm*—Robert G. Lev

(22) Filed: **Nov. 26, 2002**

(57) **CLAIM**

(51) **LOC (7) Cl.** **25-01**

The ornamental design for an interlocking masonry block, as shown and described.

(52) **U.S. Cl.** **D25/114**

(58) **Field of Search** D25/112–118,
D25/164; D21/484–486, 499–505; 405/16,
284; 404/17–20, 25, 27–31, 34, 37–42;
52/102, 591.1, 574–576, 596

DESCRIPTION

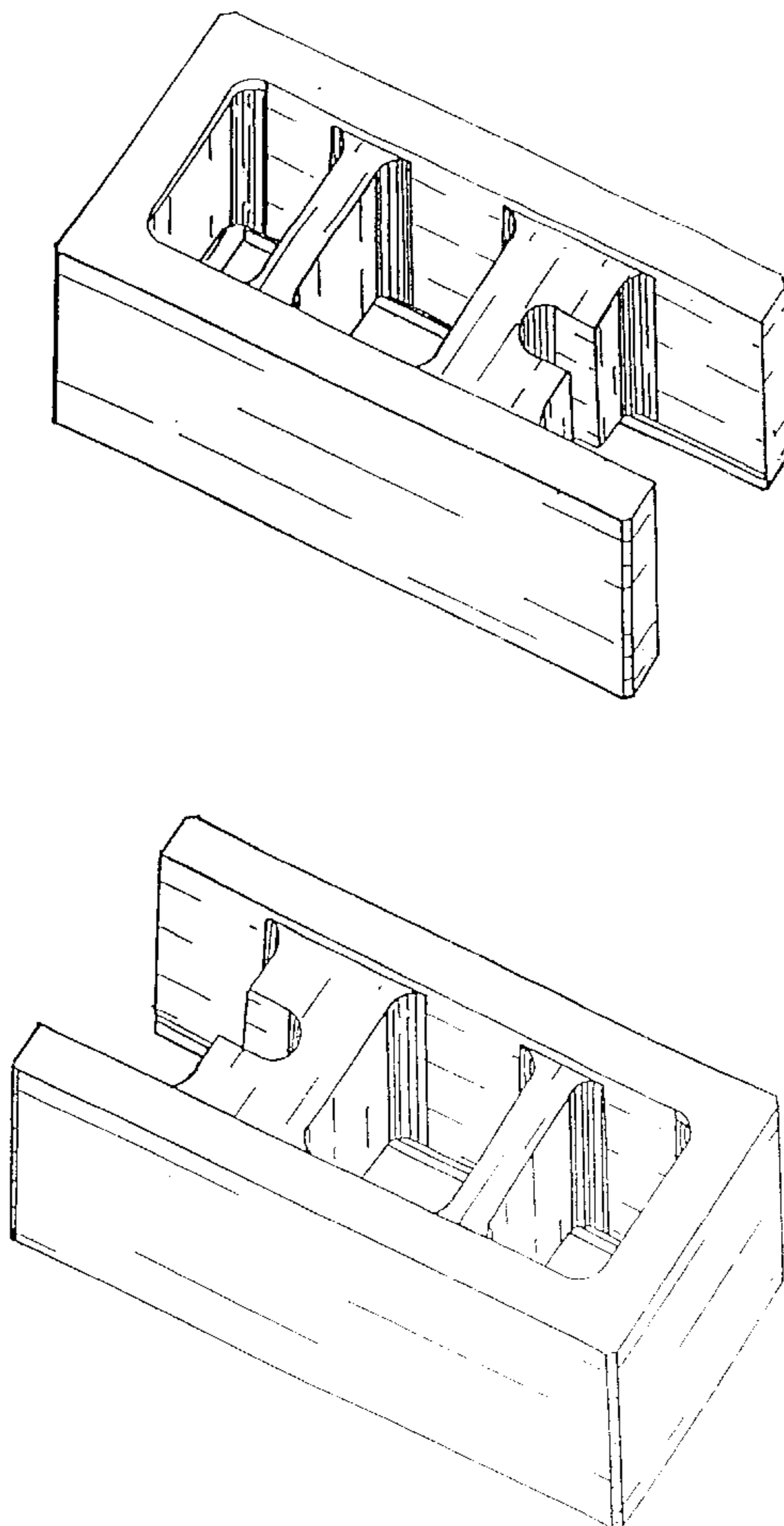
(56) **References Cited**

FIG. 1 is a top view of the inventive block design.
FIG. 2 is a front view of the inventive block design.
FIG. 3 is an end view of the inventive block design.
FIG. 4 is a top perspective view taken from a first angle; and,
FIG. 5 is a bottom perspective view taken from a second angle.

U.S. PATENT DOCUMENTS

4,627,209 A * 12/1986 Schwartz 52/591.1
D333,355 S * 2/1993 Adams D25/118

1 Claim, 2 Drawing Sheets



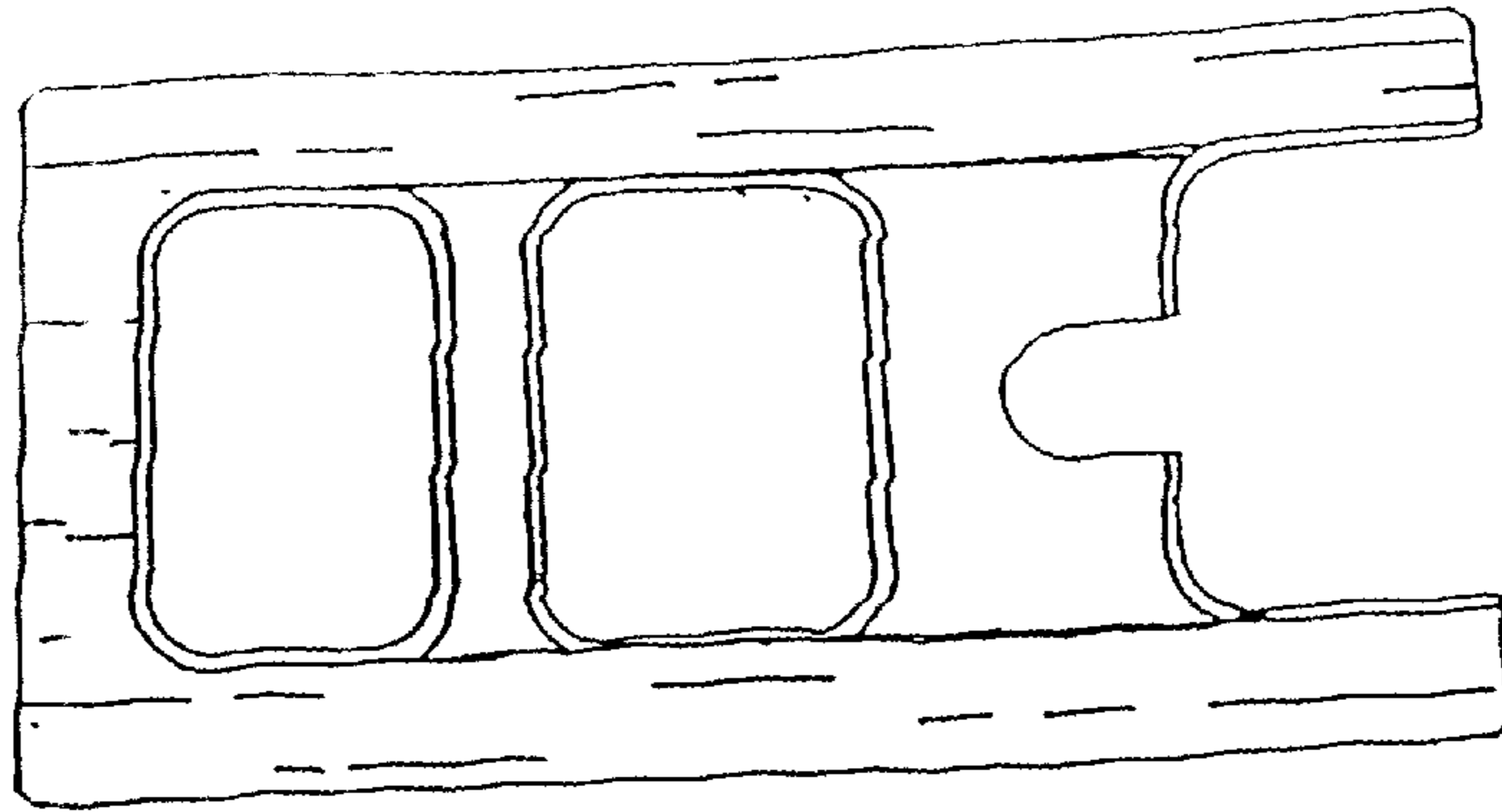


FIGURE 1

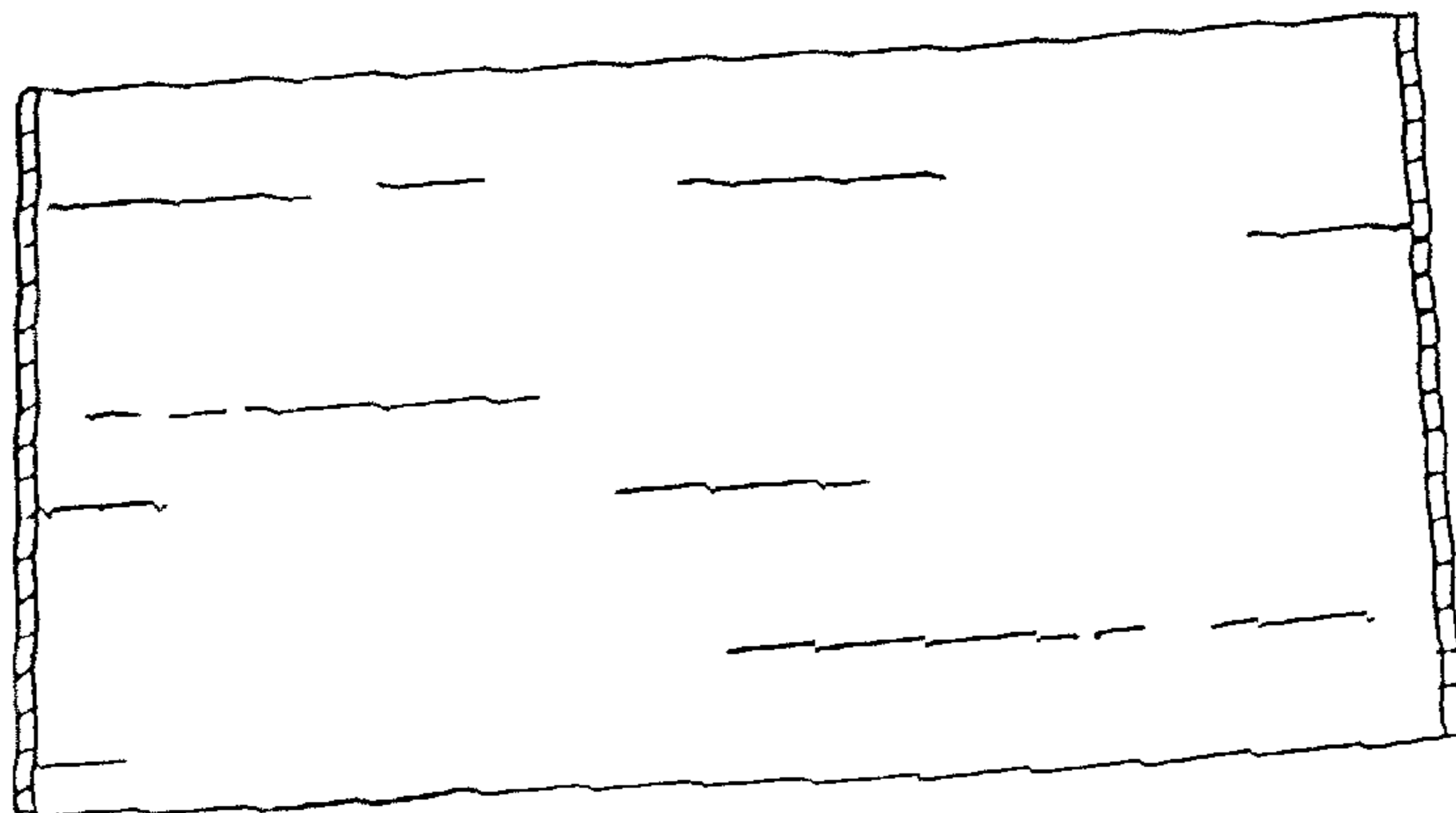


FIGURE 2

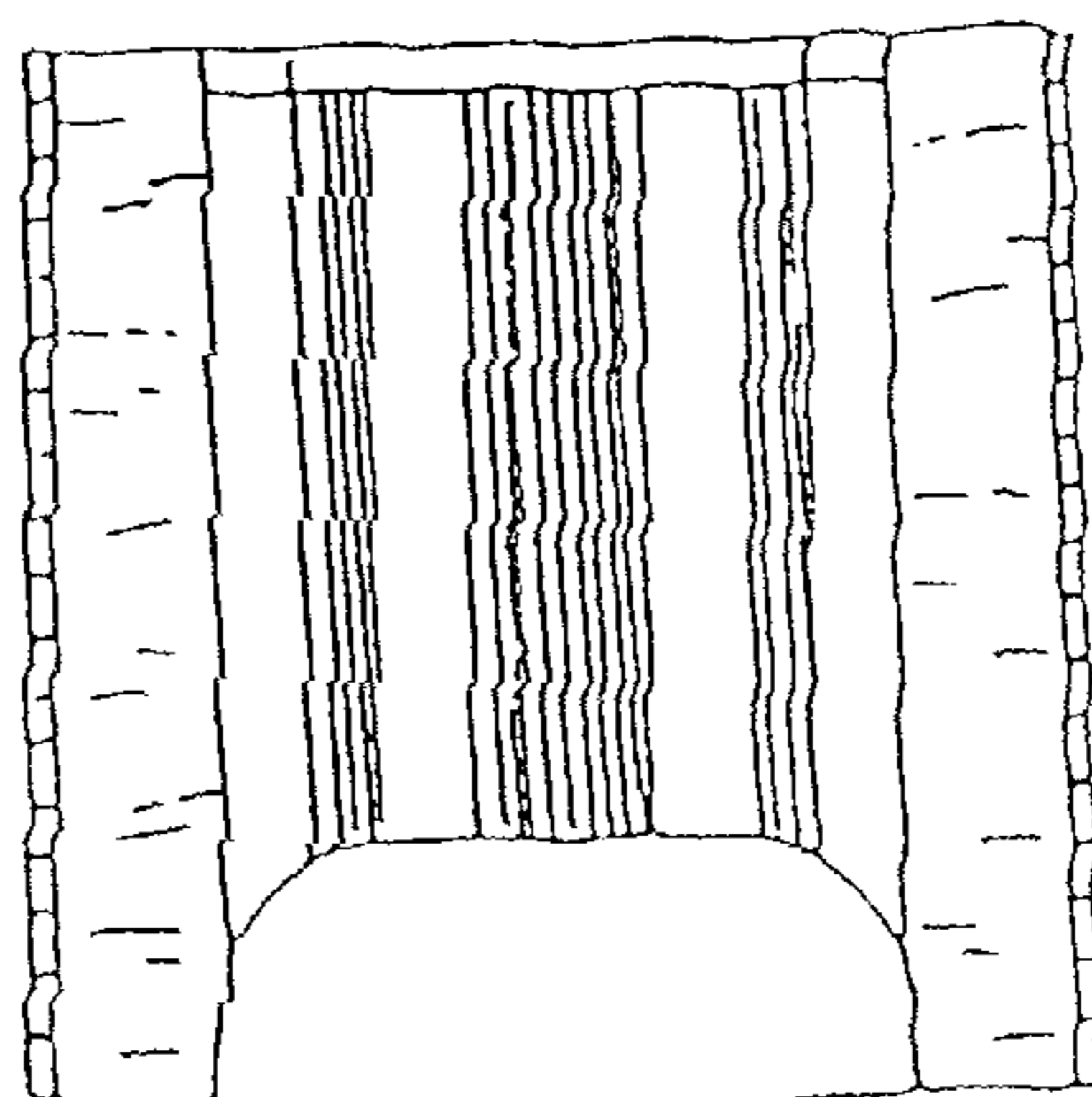


FIGURE 3

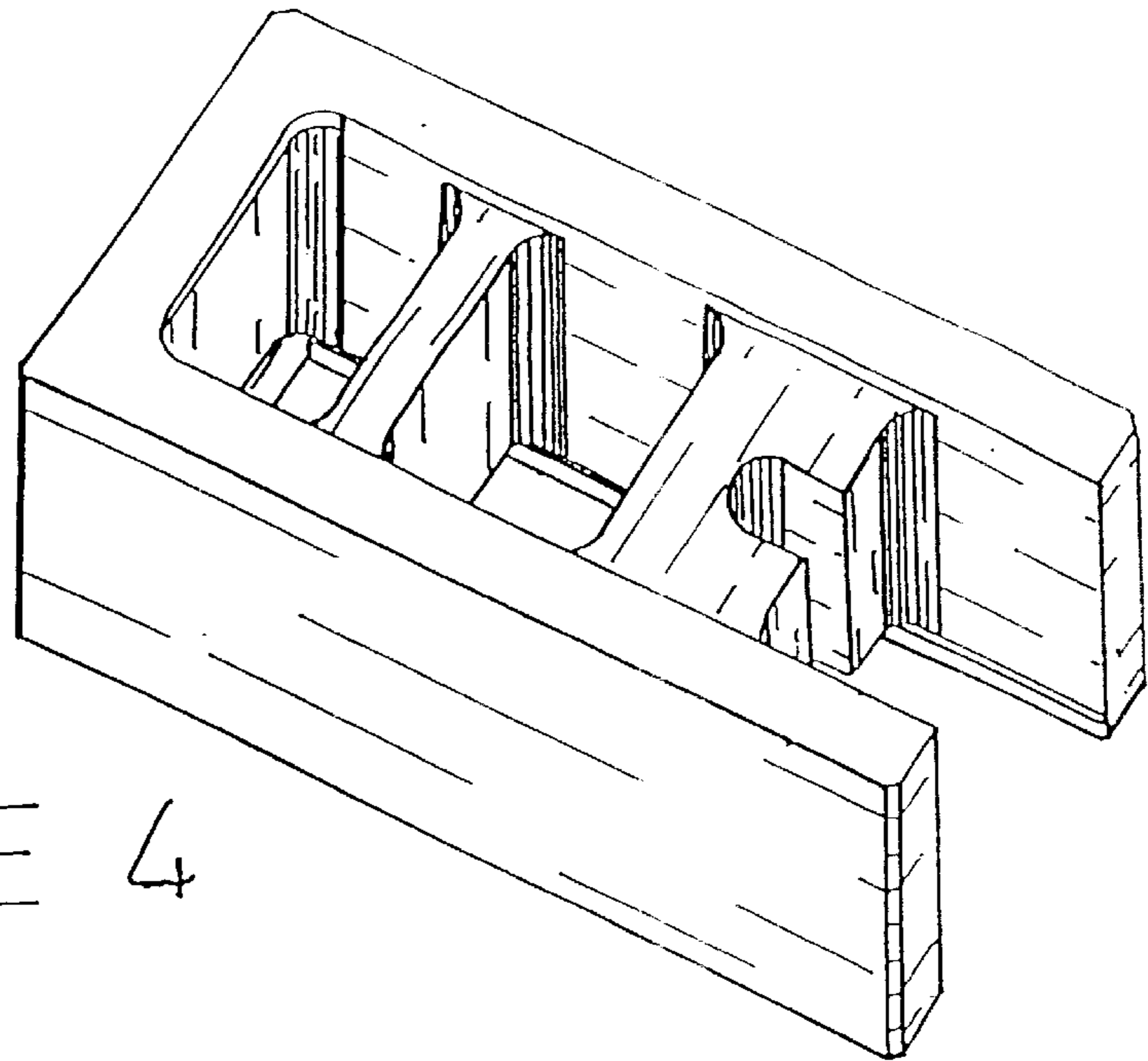


FIGURE 4

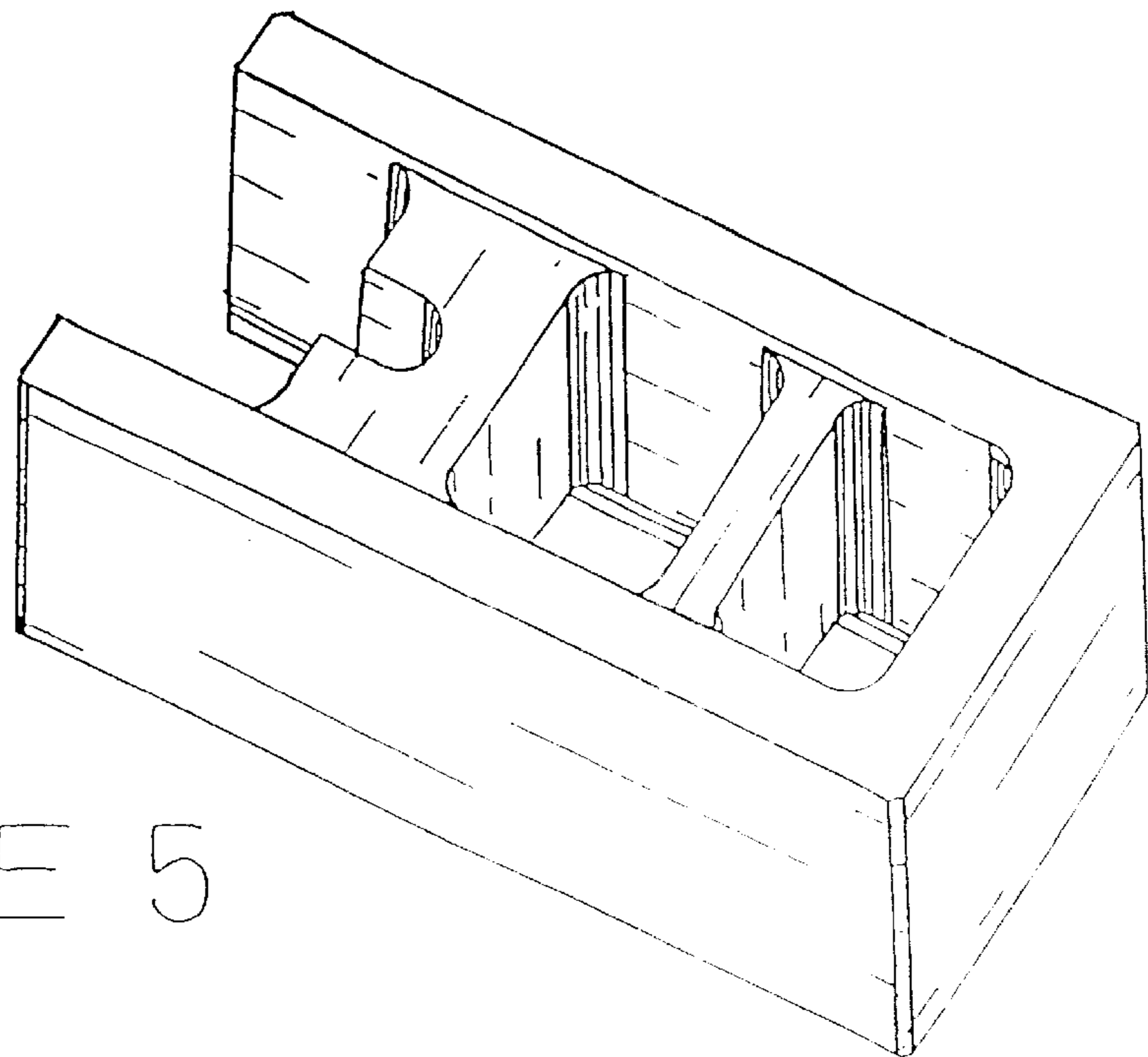


FIGURE 5