



US00D476747S

(12) **United States Design Patent**
Savion et al.

(10) **Patent No.:** **US D476,747 S**

(45) **Date of Patent:** **** Jul. 1, 2003**

(54) **CONE FOR A KIT FOR THE ANALYSIS OF PLATELET FUNCTION AND BODY FLUID SPECIMENS**

D360,698 S * 7/1995 Stevens et al. D24/224
5,578,492 A * 11/1996 Fedun 435/297.5
D377,984 S * 2/1997 Lahm et al. D24/224
5,964,096 A * 10/1999 Watson et al. 435/297.5

(75) Inventors: **Naphtali Savion**, Givat Shmuel (IL);
Doron Lindner, Haifa (IL)

* cited by examiner

(73) Assignees: **Ramot University Authority for Applied Research and Industrial Development Ltd.**, Tel Aviv (IL);
David Varon, Kfar Bilu A (IL)

Primary Examiner—Ian Simmons

(74) *Attorney, Agent, or Firm*—Ladas & Parry

(**) Term: **14 Years**

(57) **CLAIM**

The ornamental design for a cone for a kit for the analysis of platelet function and body fluid specimens, as shown and described.

(21) Appl. No.: **29/150,519**

(22) Filed: **Nov. 5, 2001**

DESCRIPTION

(51) **LOC (7) Cl.** **24-01**

FIG. 1 is a perspective view of cone for a kit for the analysis of platelet function and body fluid specimens, showing our new design;

(52) **U.S. Cl.** **D24/216; D24/224**

FIG. 2 is a front view thereof;

(58) **Field of Search** D24/224, 232,
D24/231, 216, 230, 127, 128; 422/102,
101, 104; 435/305.1, 304.4, 305.2, 284,
285, 305.3, 288.1, 288.3, 288.4, 297.5

FIG. 3 is a top plan view thereof;

FIG. 4 is a bottom plan view thereof;

(56) **References Cited**

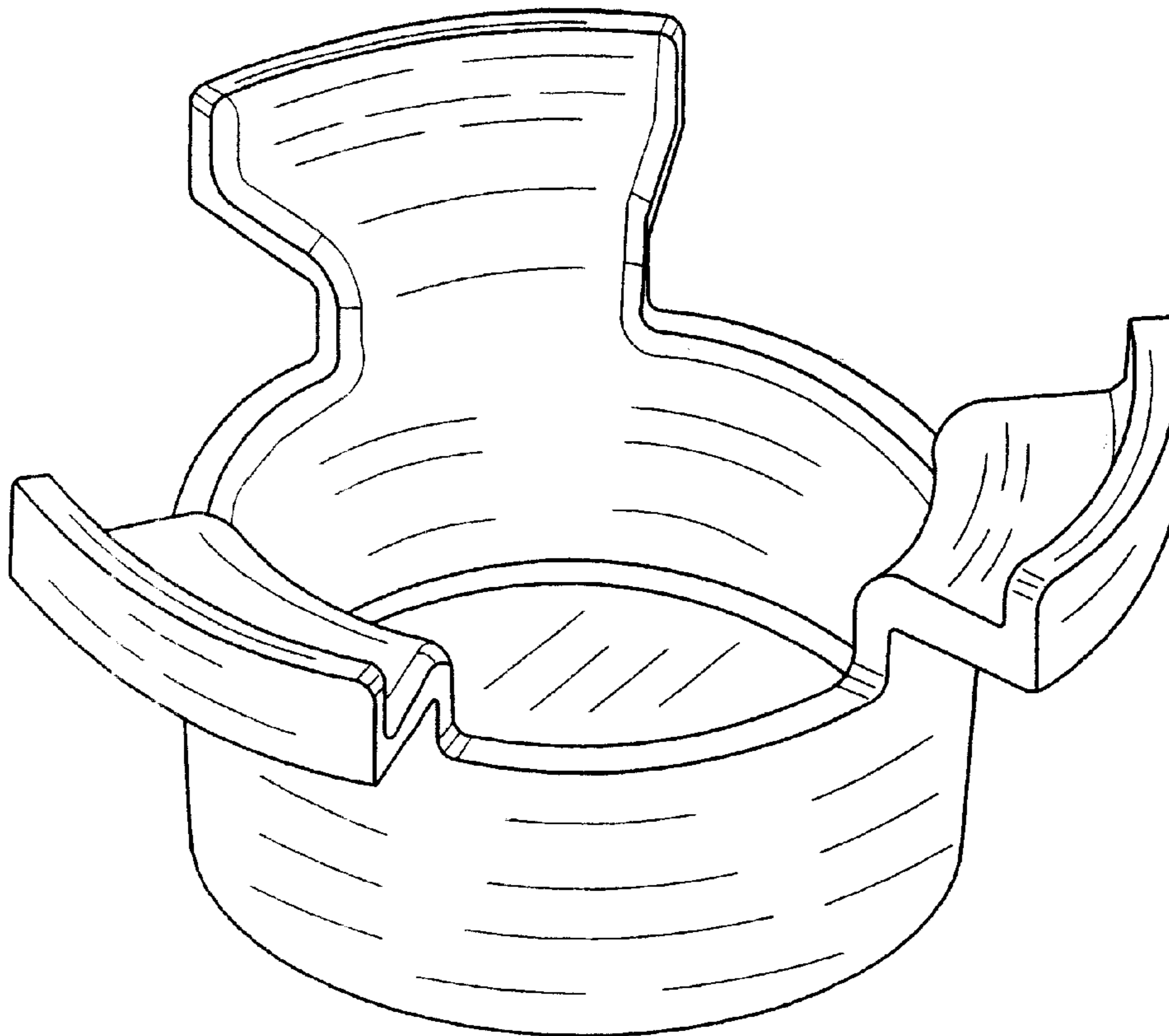
FIG. 5 is a left side elevational view thereof; and,

FIG. 6 is a right side elevational view thereof.

U.S. PATENT DOCUMENTS

5,272,083 A * 12/1993 Butz et al. 422/102

1 Claim, 3 Drawing Sheets



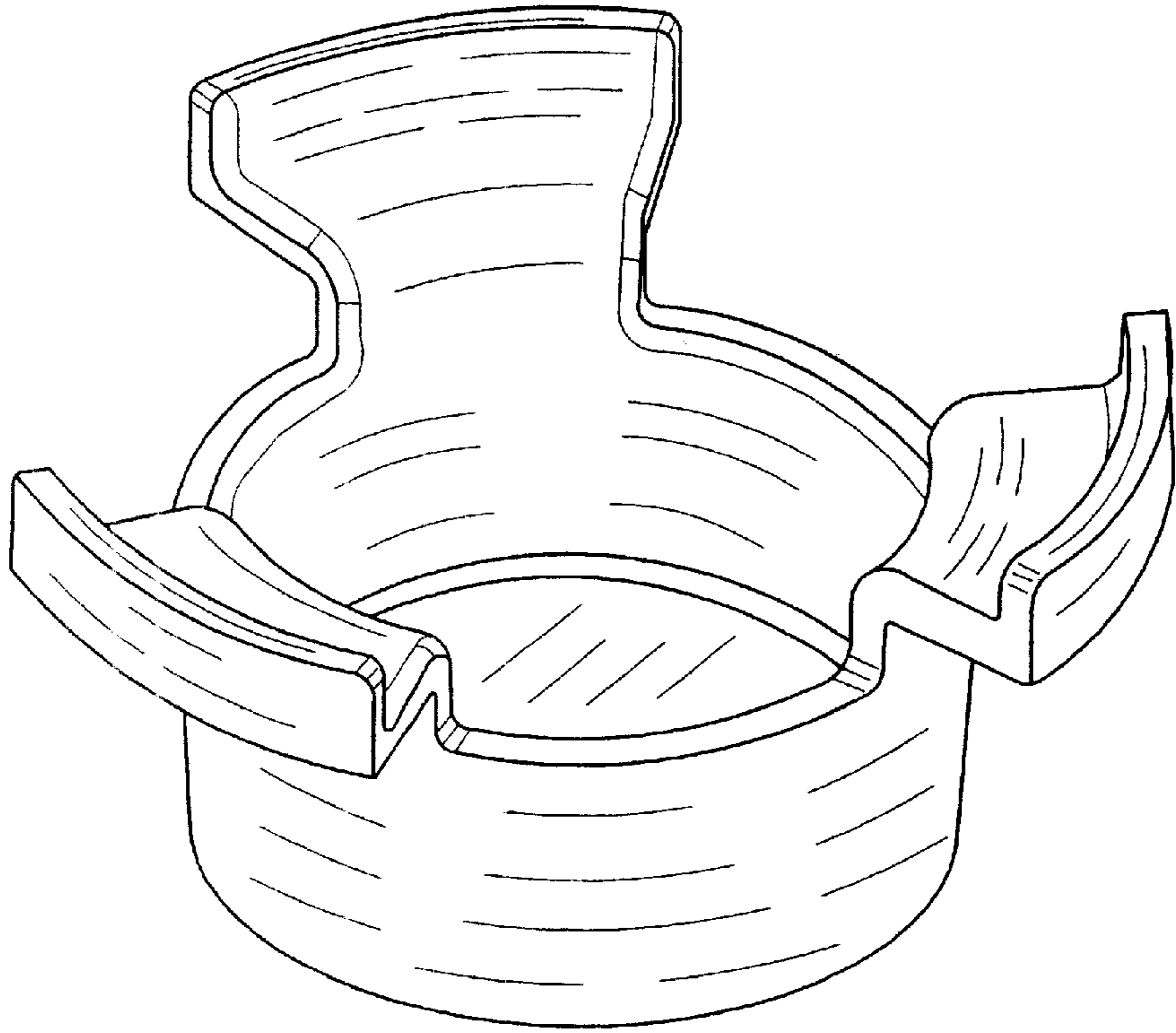


FIG. 1

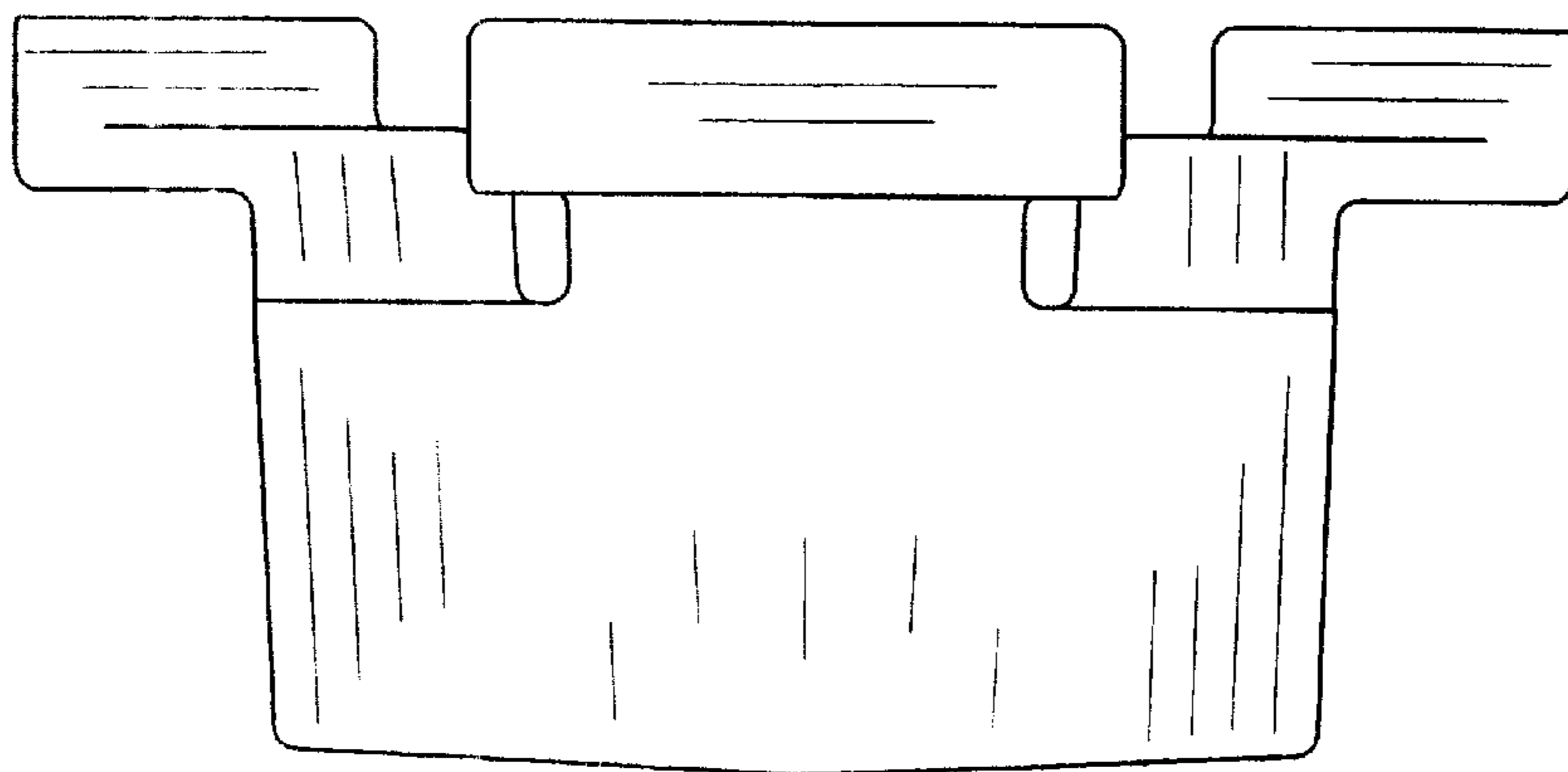


FIG. 2

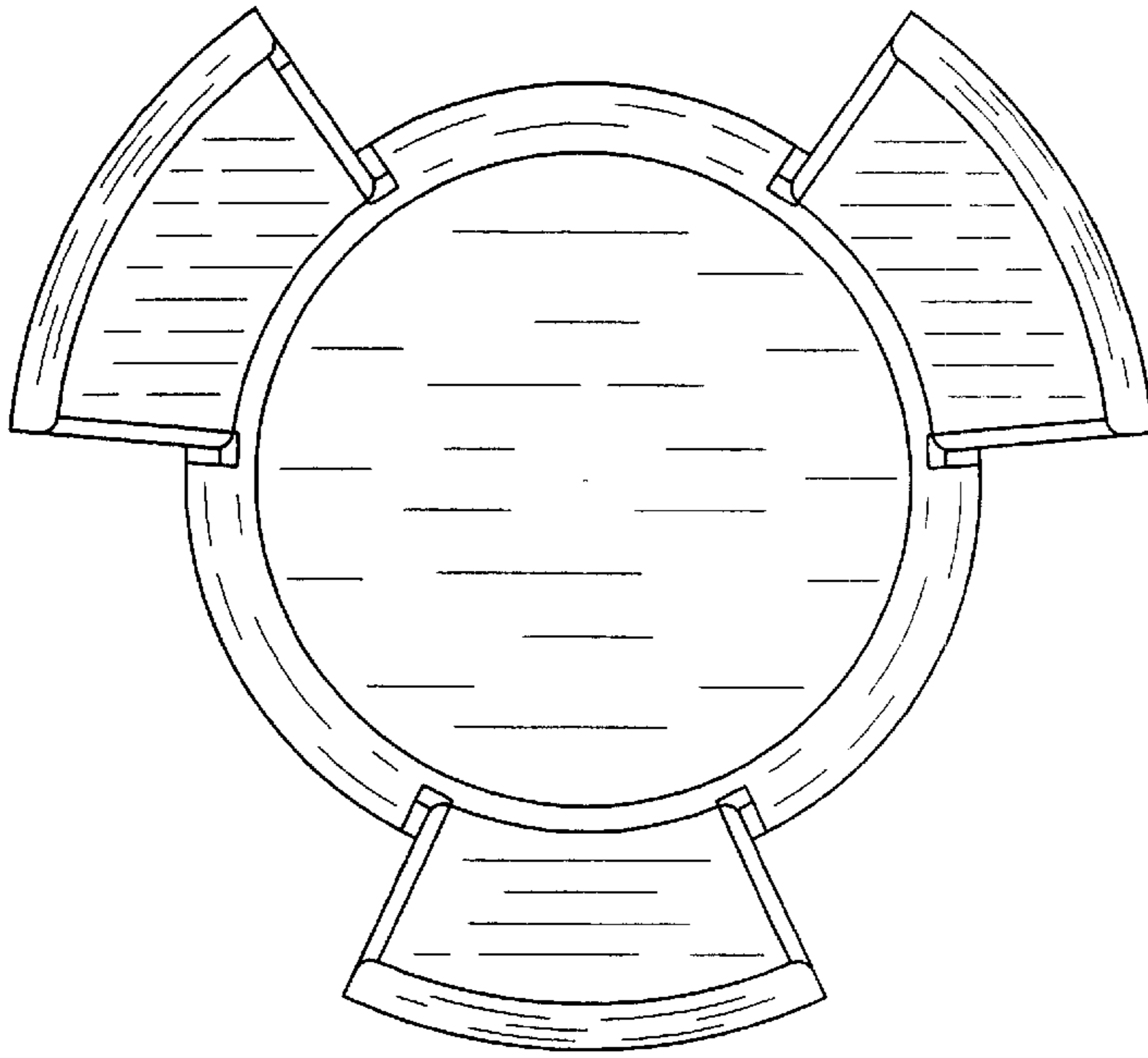


FIG. 3

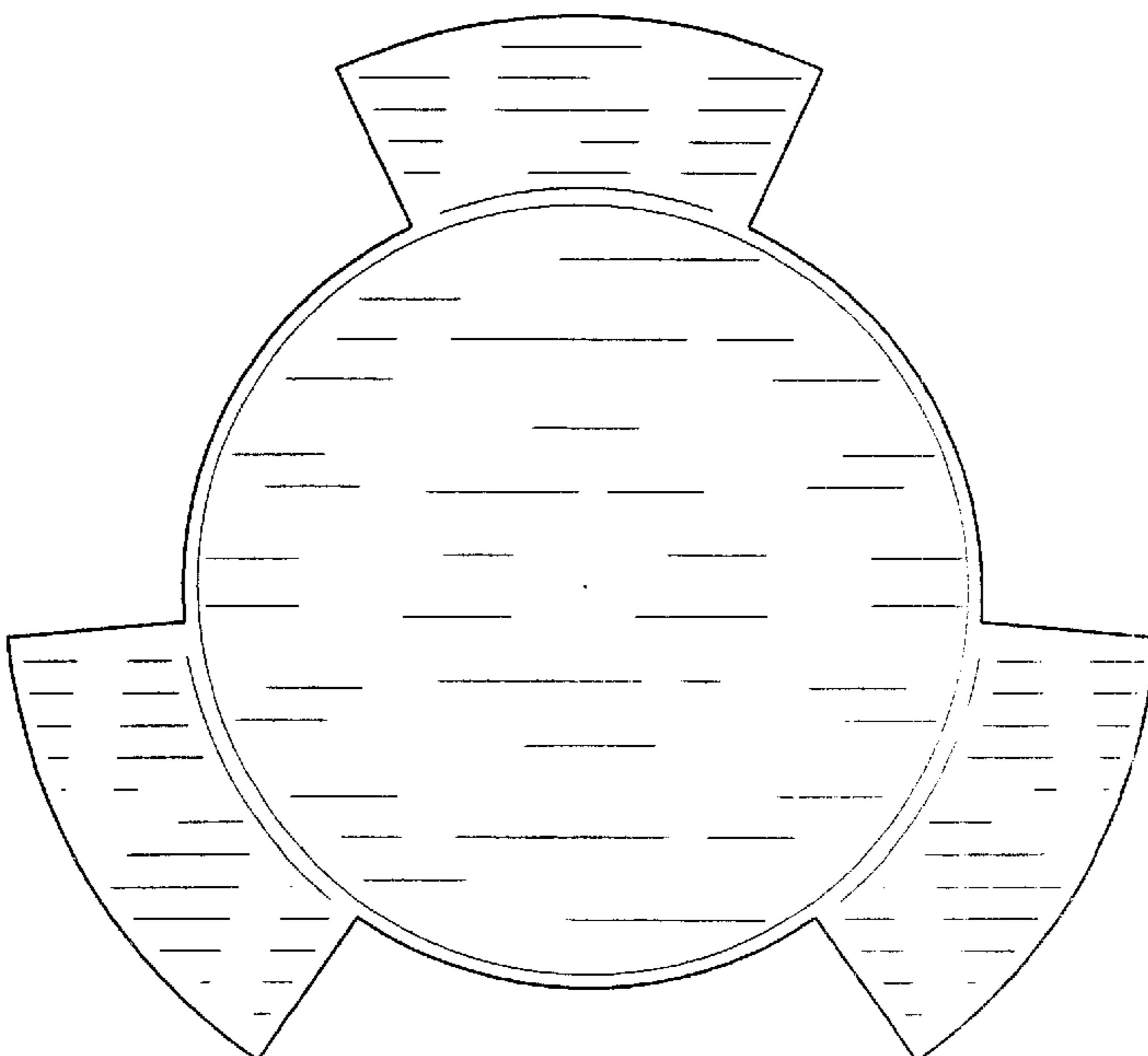


FIG. 4

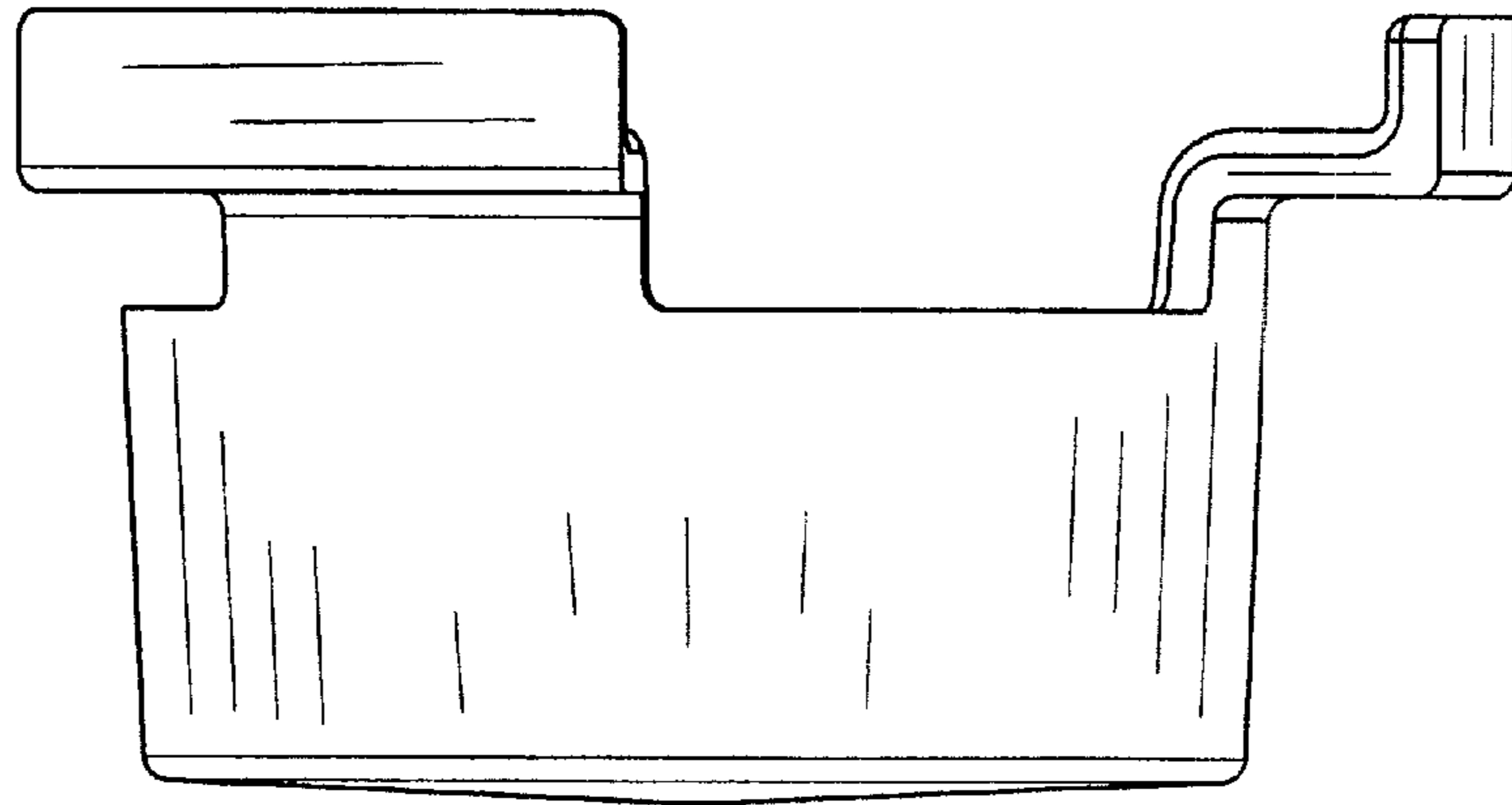


FIG. 5

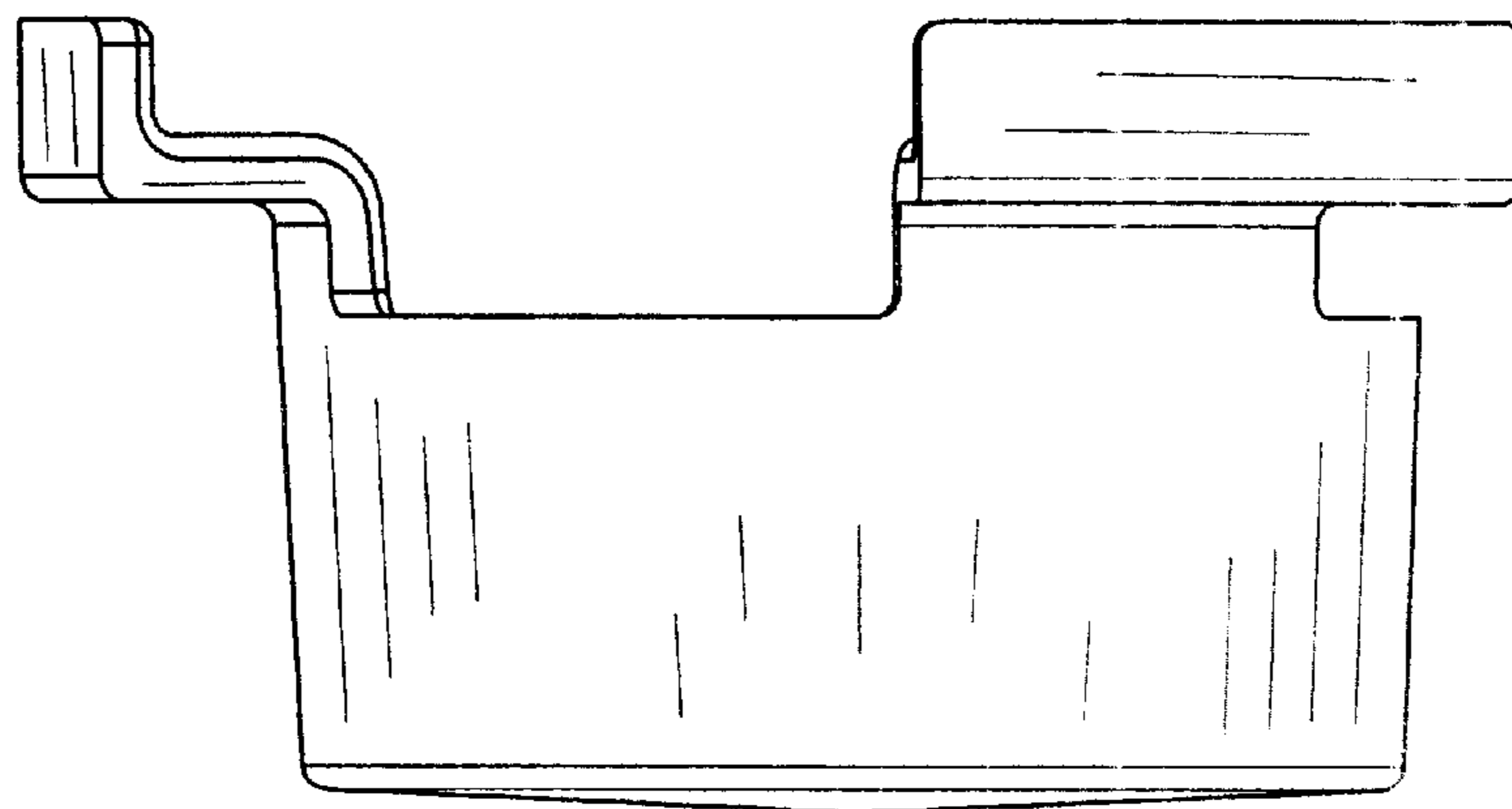


FIG. 6